



US00D830905S

(12) **United States Design Patent**
Nakajima et al.

(10) **Patent No.:** **US D830,905 S**
(45) **Date of Patent:** **** Oct. 16, 2018**

(54) **AUTOMOBILE AND/OR TOY REPLICA
THEREOF**

(71) Applicant: **Nissan Motor Co., Ltd.**, Yokohama,
Kanagawa (JP)

(72) Inventors: **Takeshi Nakajima**, Kanagawa (JP);
Genta Oohashi, Kanagawa (JP);
Hisatsugu Hirabayashi, Kanagawa (JP)

(73) Assignee: **Nissan Motor Co., Ltd.**, Yokohama
(JP)

(**) Term: **15 Years**

(21) Appl. No.: **29/597,535**

(22) Filed: **Mar. 17, 2017**

(30) **Foreign Application Priority Data**

Sep. 20, 2016 (JP) 2016-020275

(51) **LOC (11) Cl.** **12-08**

(52) **U.S. Cl.**
USPC **D12/91**

(58) **Field of Classification Search**
USPC D12/86, 90-92, 88; D21/421, 433, 434;
296/181.1, 181.5
CPC B62D 35/00; B62D 25/00; B62D 25/06;
B62D 33/00
See application file for complete search history.

(56) **References Cited**

U.S. PATENT DOCUMENTS

D678,820 S * 3/2013 Song D12/91
D686,532 S * 7/2013 Lamm D12/91
D718,187 S * 11/2014 Hou D12/91

D728,423 S * 5/2015 Rugar D12/91
D732,433 S * 6/2015 Aengenheyster D12/91
D735,611 S * 8/2015 Aengenheyster D12/91
D736,119 S * 8/2015 Kaoud D12/91
D741,752 S * 10/2015 Messale D12/91
D759,540 S * 6/2016 Davidson D12/91
D773,341 S * 12/2016 Liu D12/92
D805,957 S * 12/2017 Seo D12/91

FOREIGN PATENT DOCUMENTS

JP D1209200 S 5/2005
JP D1209201 S 5/2005
JP D1209202 S 5/2005
JP D1249672 S 9/2005
JP D1264309 S 3/2006
JP D1264675 S 3/2006

* cited by examiner

Primary Examiner — Melody N Brown

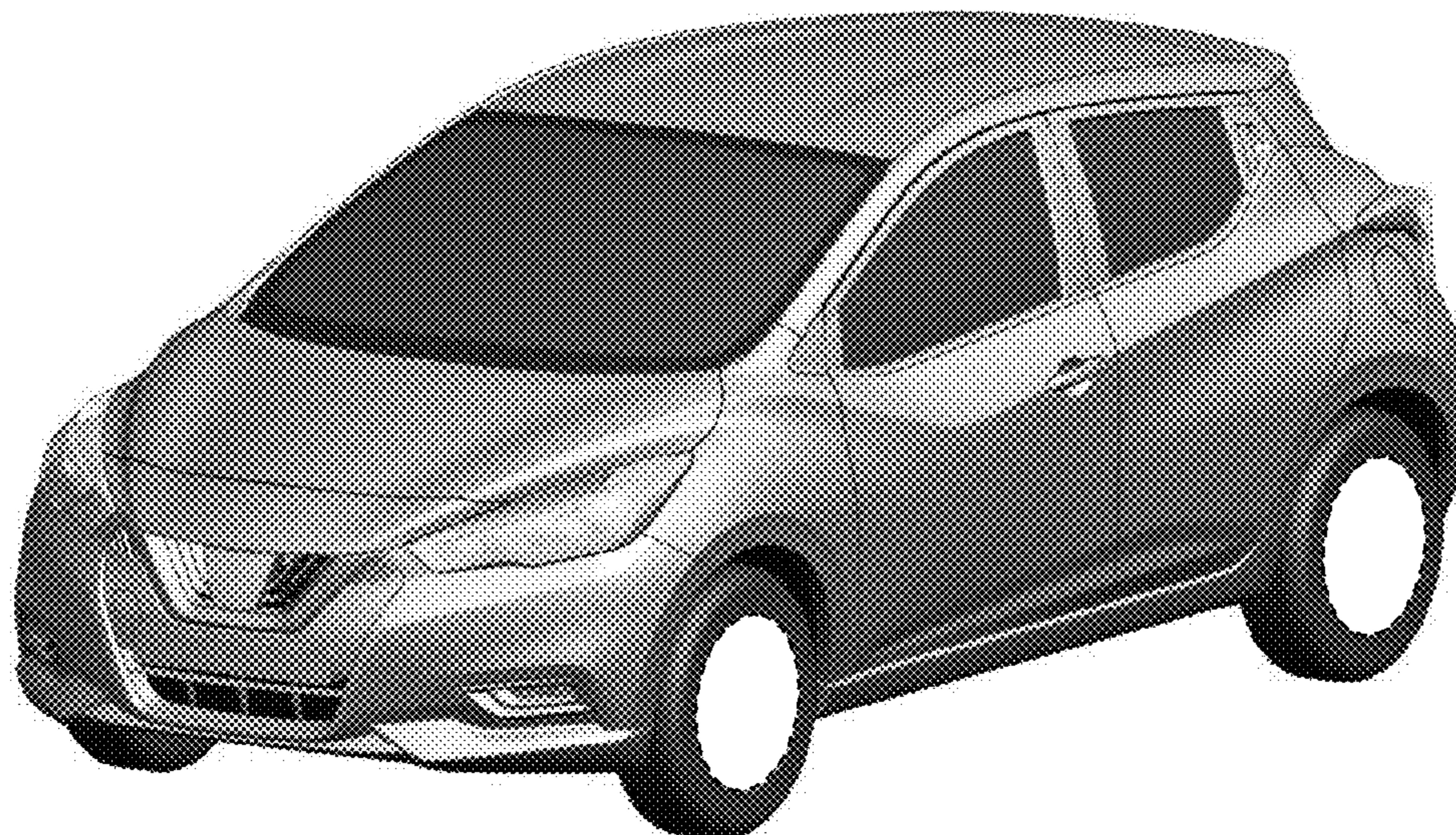
(57) **CLAIM**

The ornamental design for an automobile and/or toy replica thereof, as shown and described.

DESCRIPTION

FIG. 1 is a front elevational view of an automobile and/or toy replica thereof in accordance with our new design;
FIG. 2 is a top plan view thereof;
FIG. 3 is a left side elevational view thereof;
FIG. 4 is a right side elevational view thereof;
FIG. 5 is a top, front and left side perspective view thereof;
FIG. 6 is a top, rear and right side perspective view thereof;
and,
FIG. 7 is a rear elevational view thereof.
The broken lines shown throughout the drawing are for environmental and illustrative purposes and for no part of the claimed design.

1 Claim, 7 Drawing Sheets



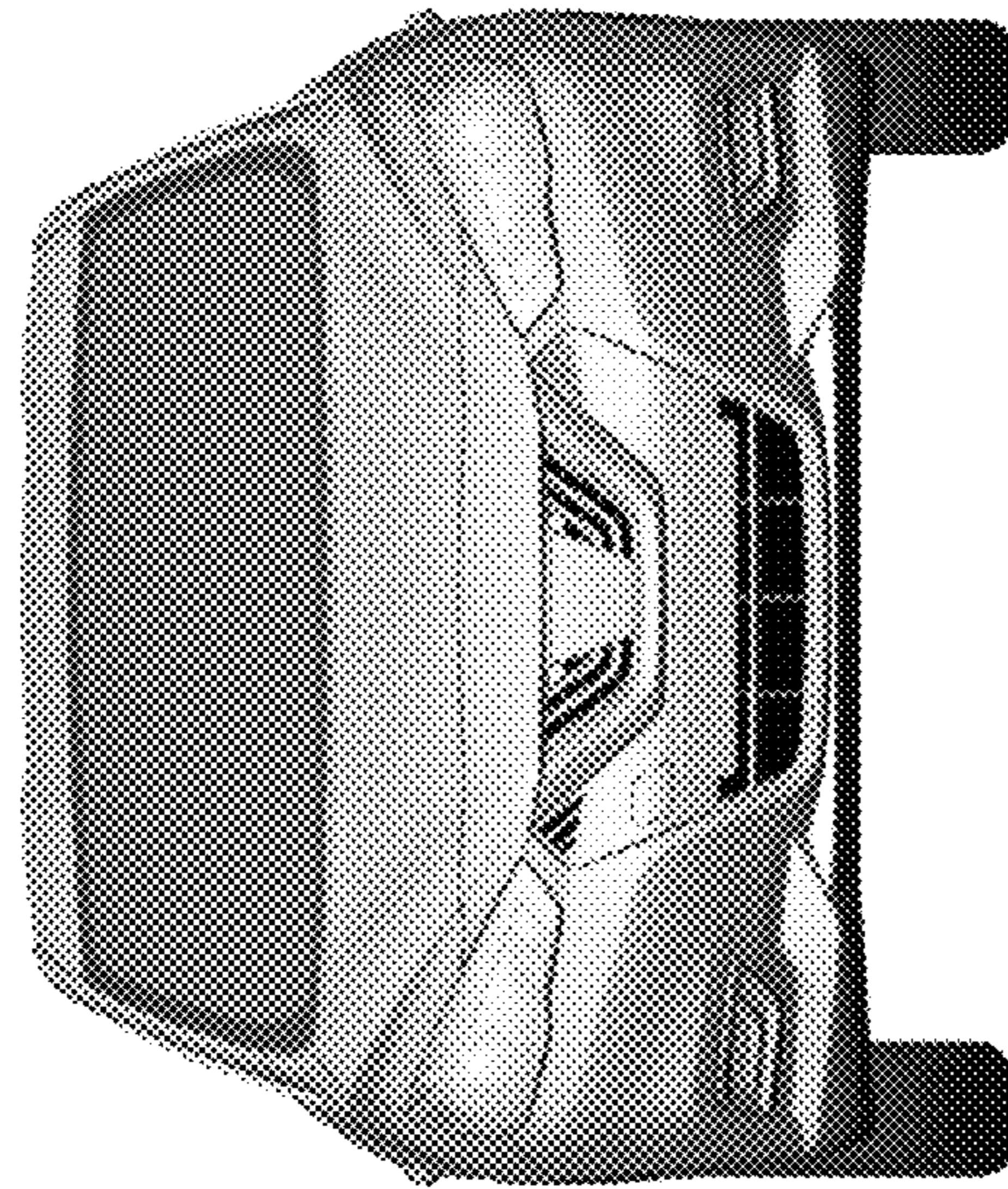


FIG. 1

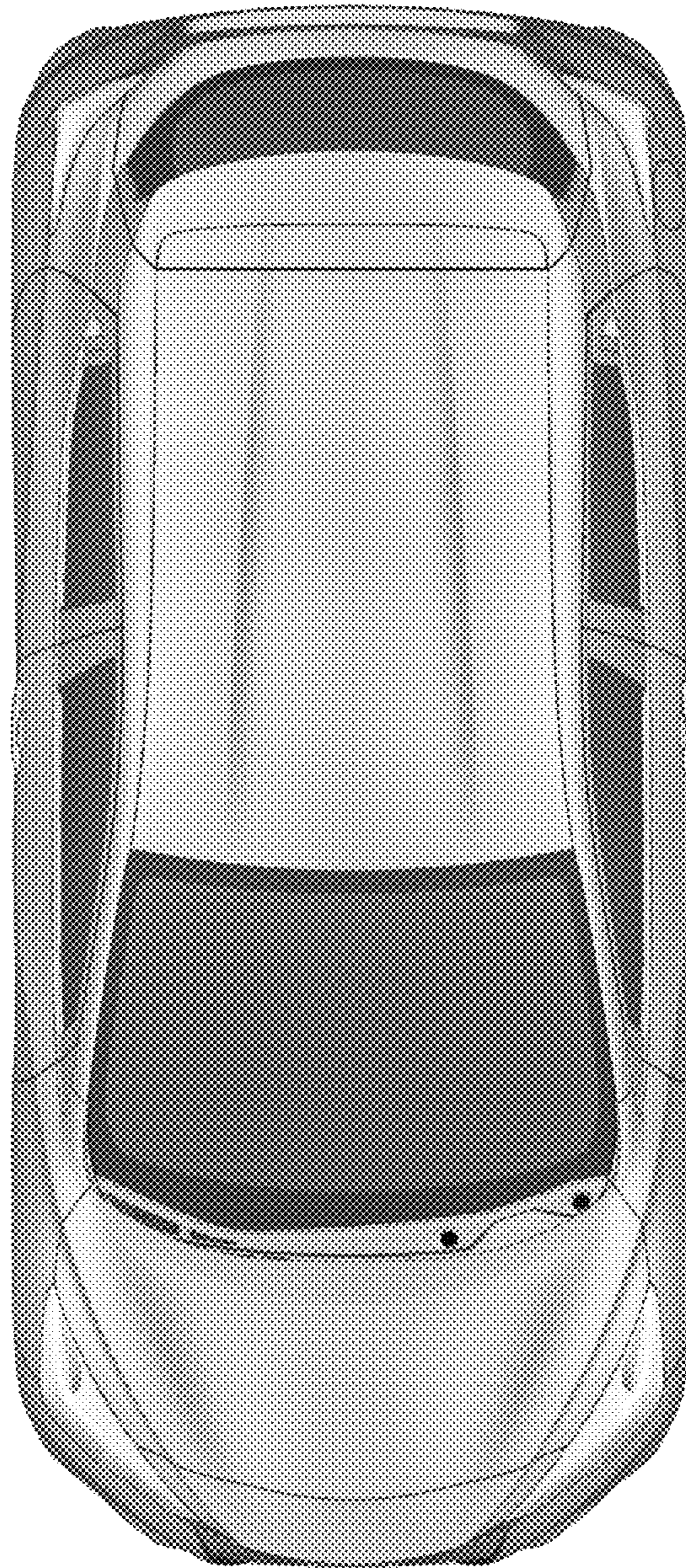


FIG. 2

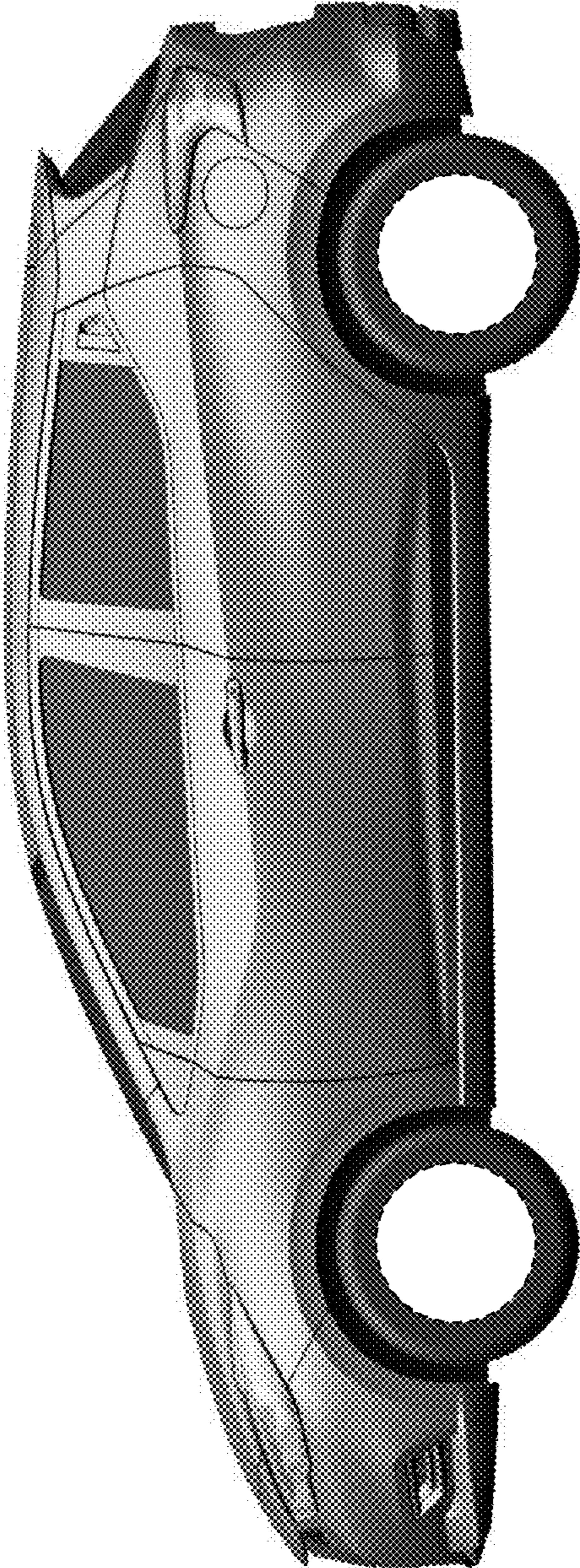


FIG. 3

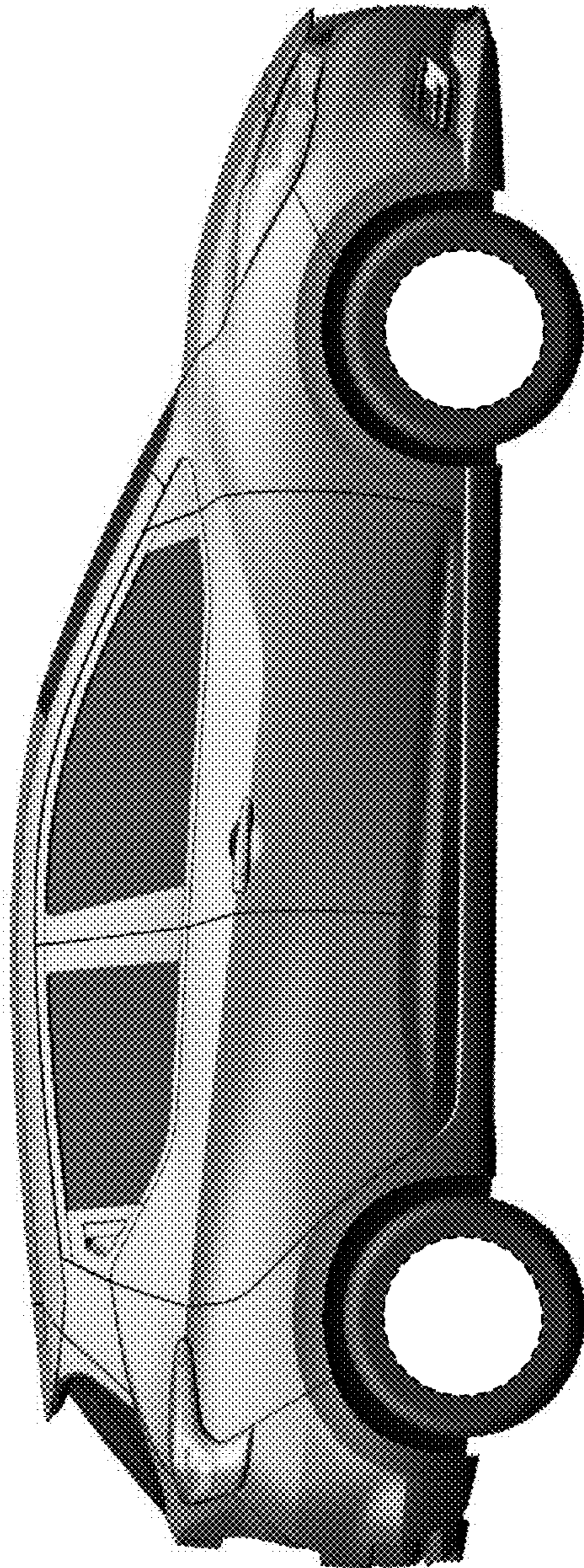


FIG. 4



FIG. 5



FIG. 6

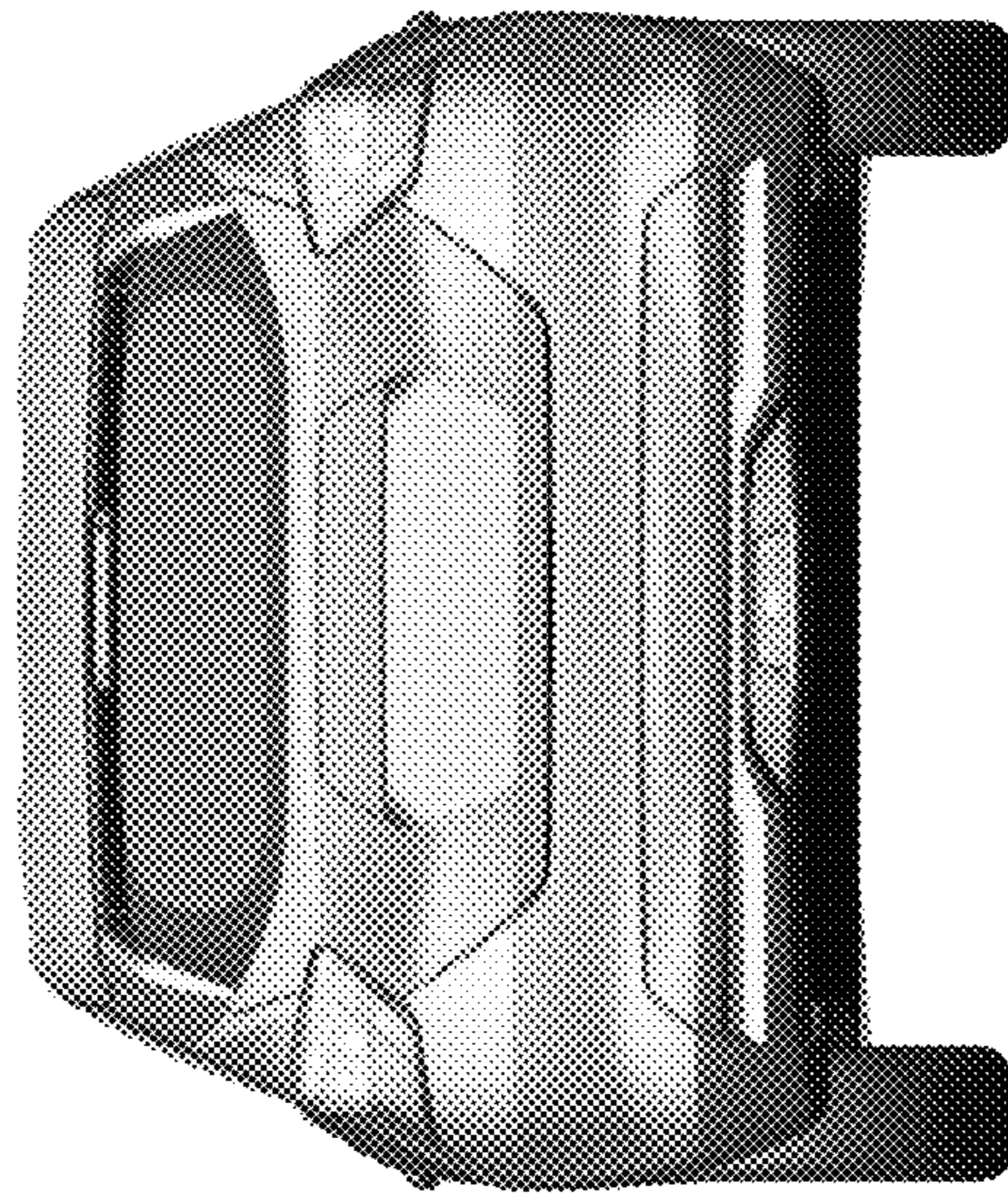


FIG. 7