



US00D830898S

(12) **United States Design Patent**
Yunitski

(10) **Patent No.:** **US D830,898 S**
(45) **Date of Patent:** **** Oct. 16, 2018**

(54) **VEHICLE FOR A STRING TRANSPORT SYSTEM**

(71) Applicant: **Anatoli Yunitski**, Gomel (BY)

(72) Inventor: **Anatoli Yunitski**, Gomel (BY)

(**) Term: **15 Years**

(21) Appl. No.: **29/590,885**

(22) Filed: **Jan. 13, 2017**

(30) **Foreign Application Priority Data**

Jul. 15, 2016 (BY) F20160118

(51) **LOC (11) Cl.** **12-03**

(52) **U.S. Cl.**
USPC **D12/40**

(58) **Field of Classification Search**
USPC D12/36, 37, 39, 40, 43, 52, 1
CPC B61B 5/02; B61B 7/00; B61B 7/06; B61B
7/02; B61B 9/00; B61B 12/002; B61B
13/04; B61B 3/00; B61B 3/02; B61B
5/00

See application file for complete search history.

(56) **References Cited**

U.S. PATENT DOCUMENTS

- 339,494 A * 4/1886 Speer B61B 13/04
104/93
- 433,941 A * 8/1890 Hight B61B 5/02
104/22
- 1,051,093 A * 1/1913 Fawkes et al. B61B 5/02
104/22
- 1,422,394 A * 7/1922 Wagner B61B 3/02
104/23.1
- 1,846,021 A * 2/1932 Bell B61B 3/02
104/25
- 3,774,542 A * 11/1973 Walsh B61B 3/02
104/123
- D329,028 S * 9/1992 Malewicki D12/37

- 5,813,349 A * 9/1998 Jensen B60F 1/00
104/118
- D492,621 S * 7/2004 Morris D12/12
- 9,669,843 B2 * 6/2017 Heaton B61B 3/02
- 2004/0025738 A1 * 2/2004 Chapman B61B 13/04
104/93
- 2009/0095193 A1 * 4/2009 Roop B61B 13/04
105/1.1
- 2016/0009297 A1 * 1/2016 Duran Ariza B61B 3/02
104/23.1
- 2017/0239581 A1 * 8/2017 Lofts A63G 31/007

* cited by examiner

Primary Examiner — T Chase Nelson

Assistant Examiner — Ania Aman

(74) *Attorney, Agent, or Firm* — Patentbar International, P.C.

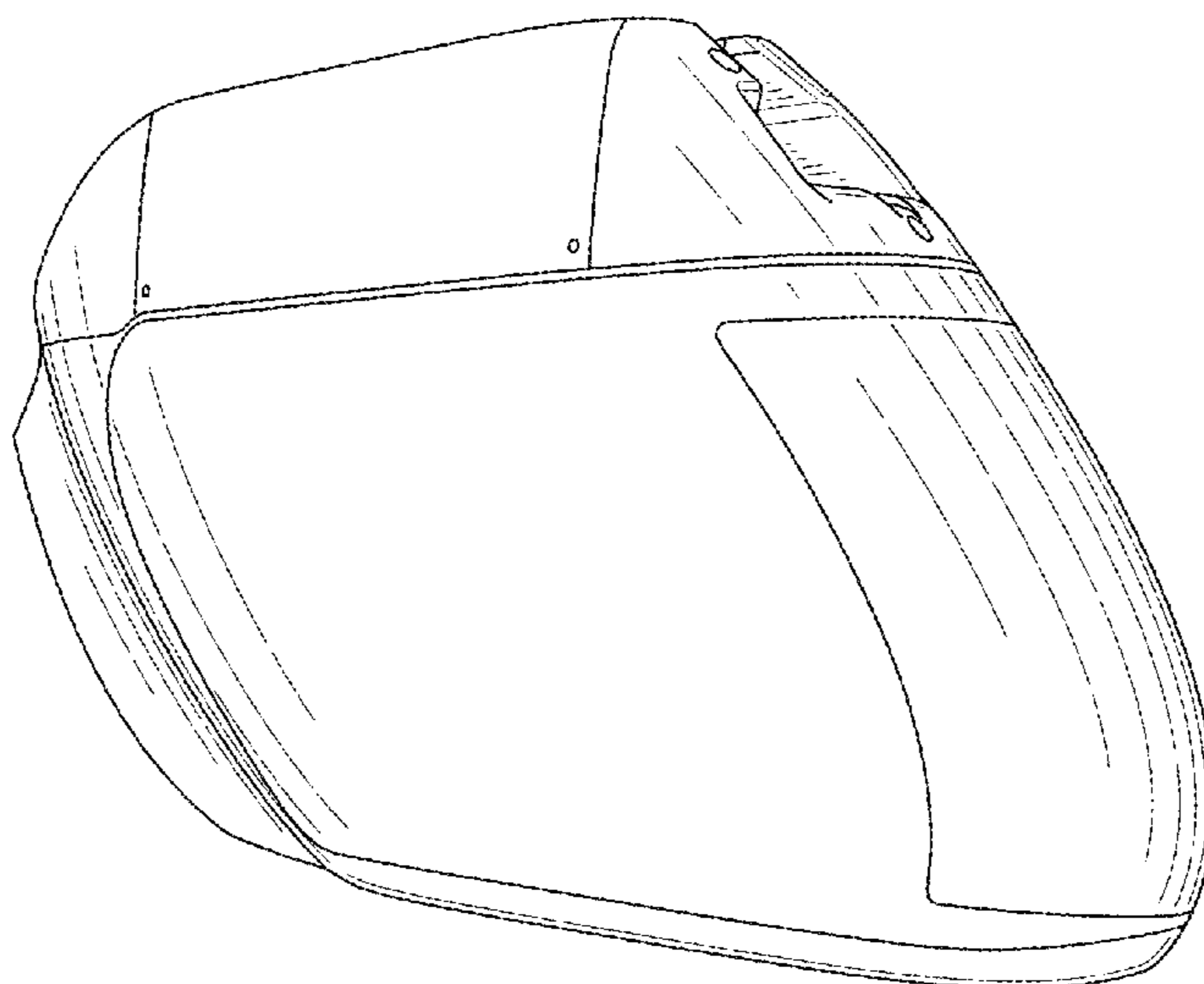
(57) **CLAIM**

The ornamental design for a vehicle for a string transport system, as shown and described.

DESCRIPTION

FIG. 1 is a front right perspective view of a vehicle for a string transport system showing my new design;
 FIG. 2 is a right side view thereof;
 FIG. 3 is a left side view thereof;
 FIG. 4 is a front view thereof;
 FIG. 5 is a back view thereof;
 FIG. 6 is a top view thereof;
 FIG. 7 is a bottom view thereof;
 FIG. 8 is a front right perspective view of another embodiment of a vehicle for a string transport system;
 FIG. 9 is a right side view thereof;
 FIG. 10 is a left side view thereof;
 FIG. 11 is a front view thereof;
 FIG. 12 is a back view thereof;
 FIG. 13 is a top view thereof; and,
 FIG. 14 is a bottom view thereof.

1 Claim, 6 Drawing Sheets



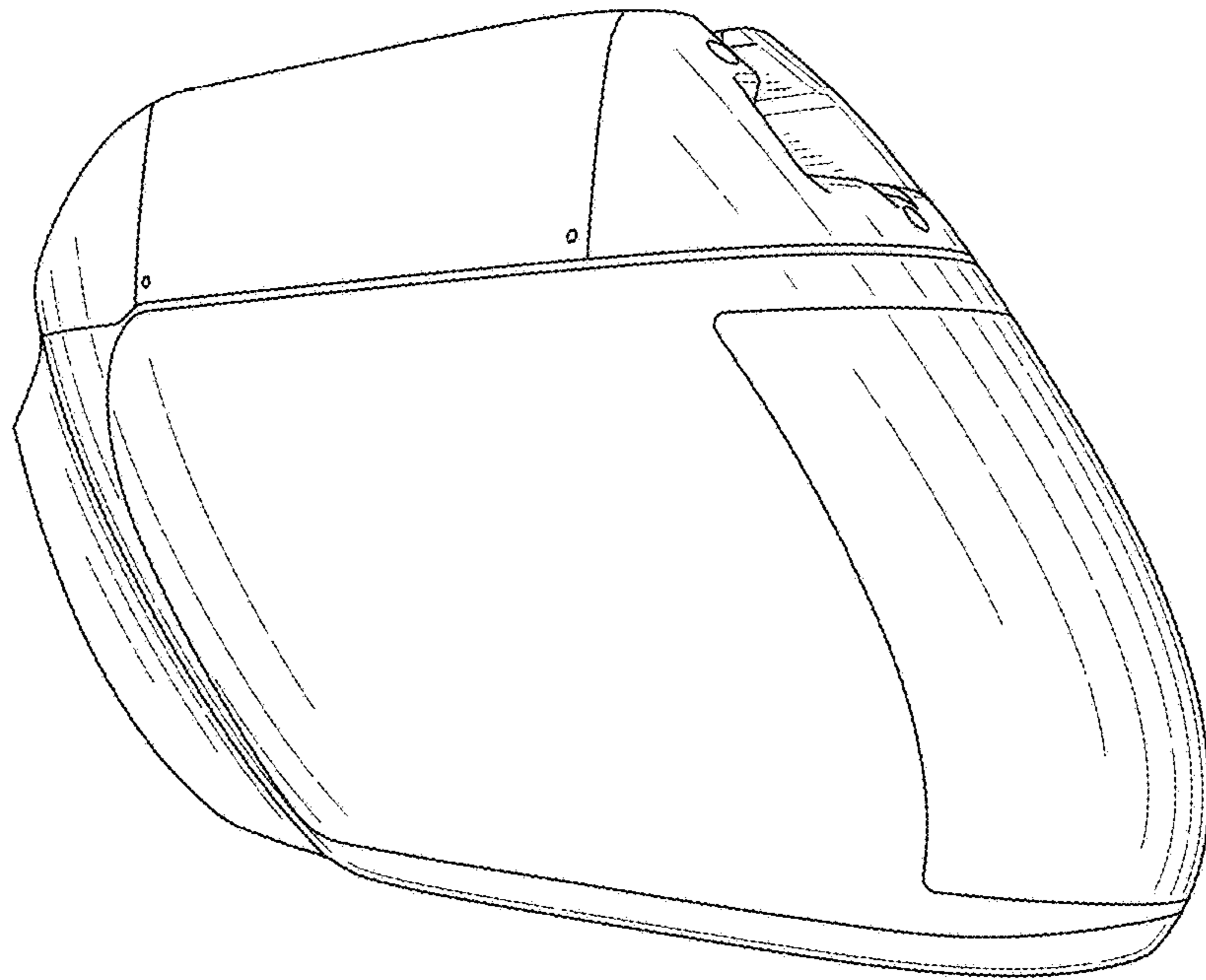


FIG. 1

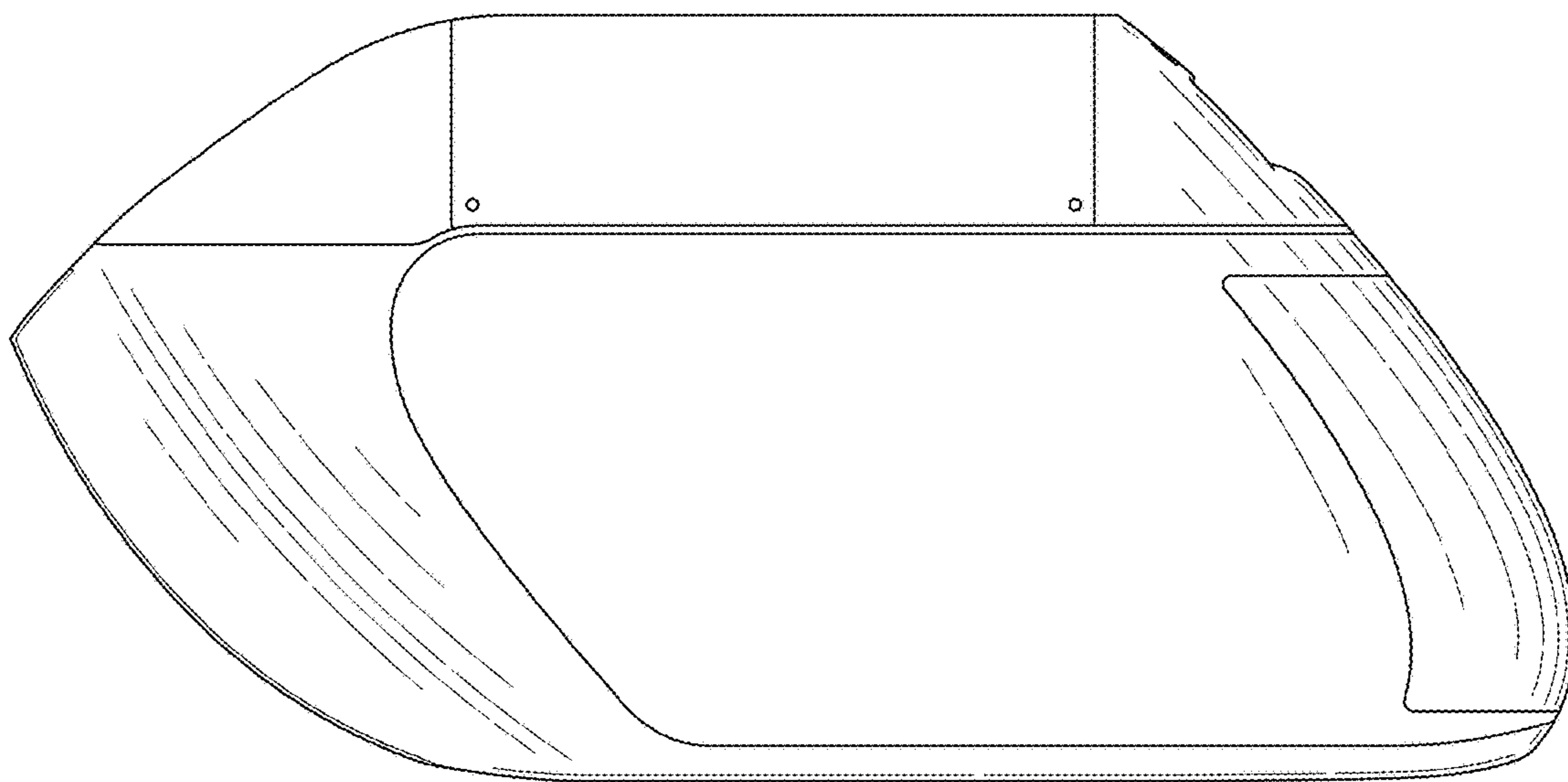


FIG. 2

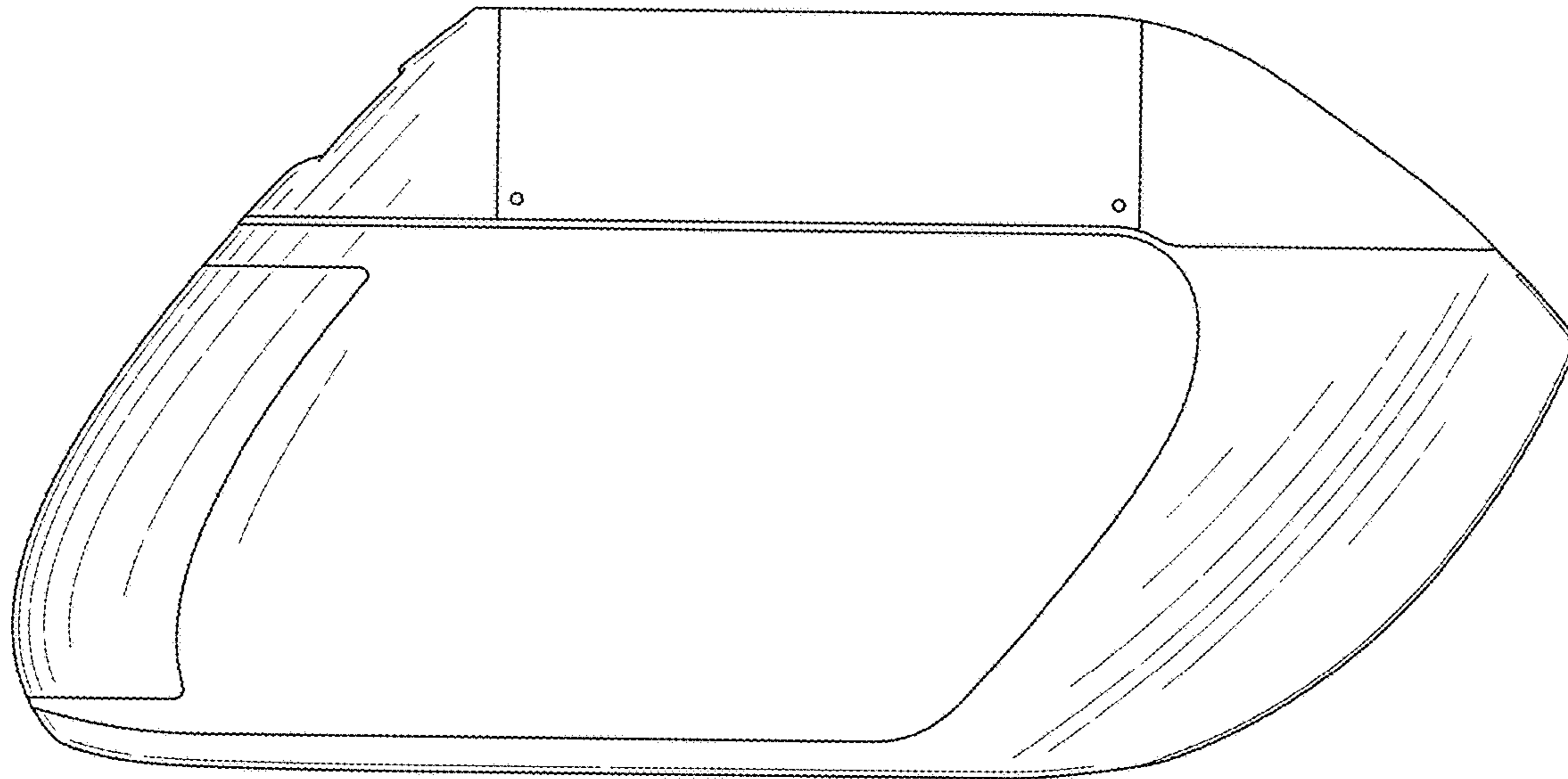


FIG. 3

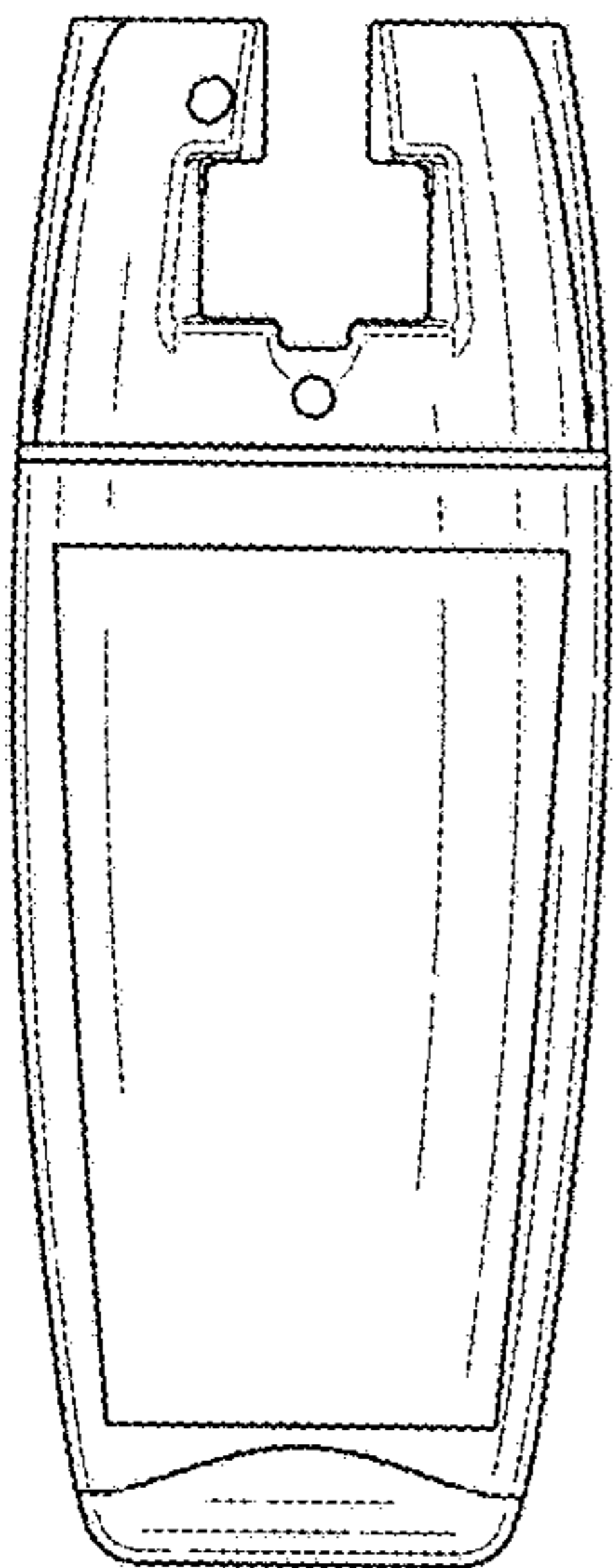


FIG. 4

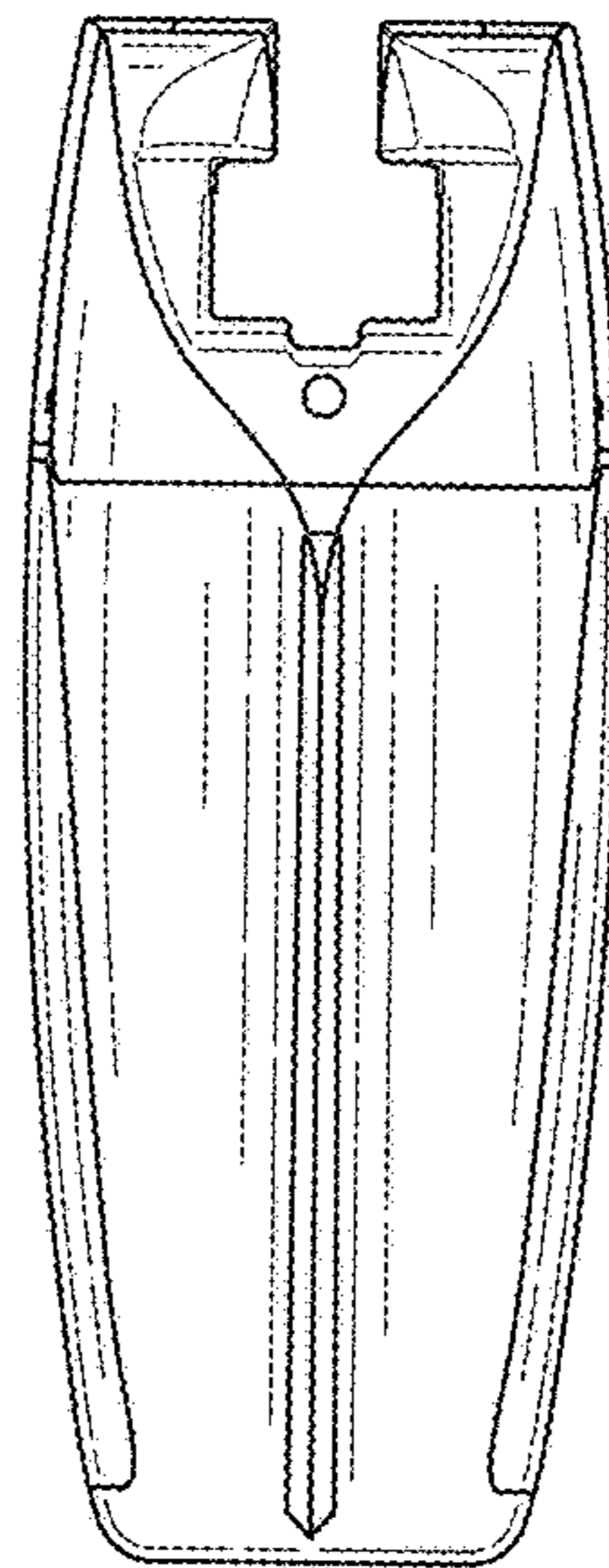


FIG. 5

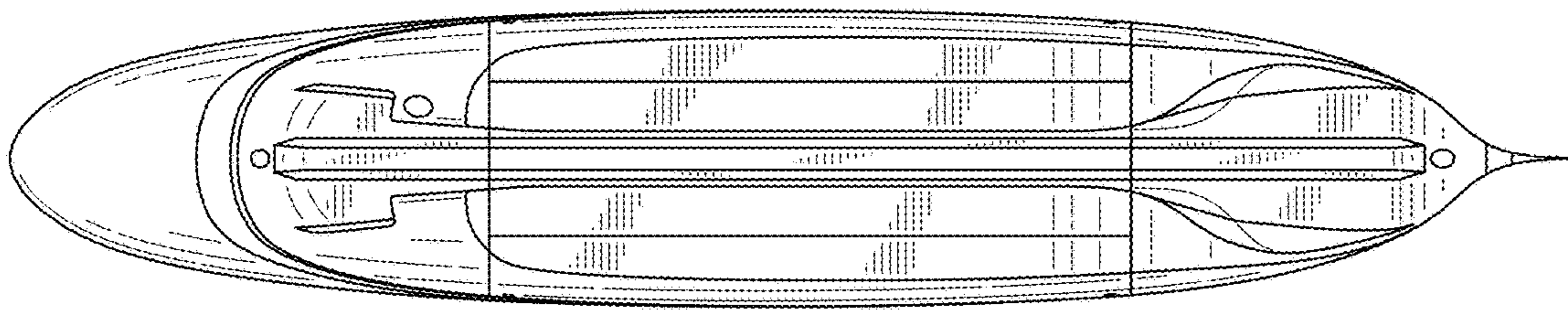


FIG. 6

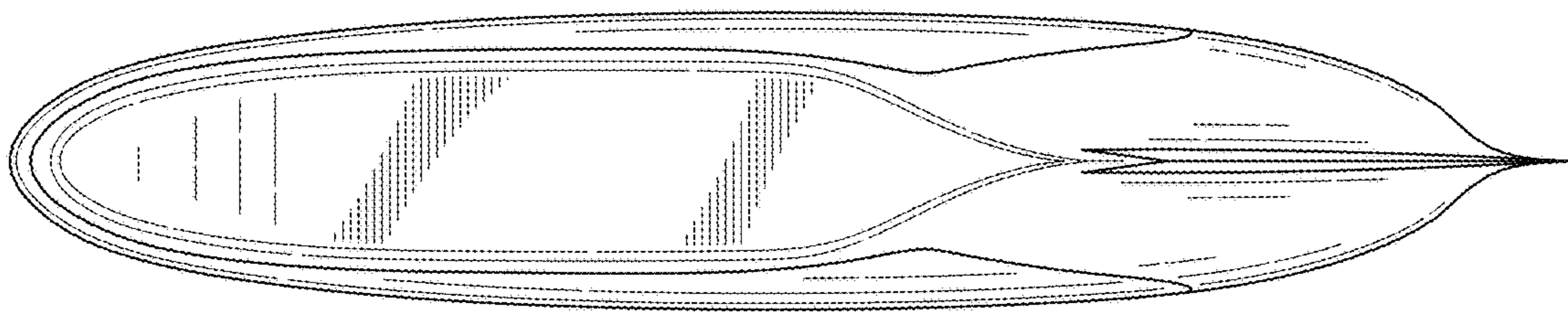


FIG. 7

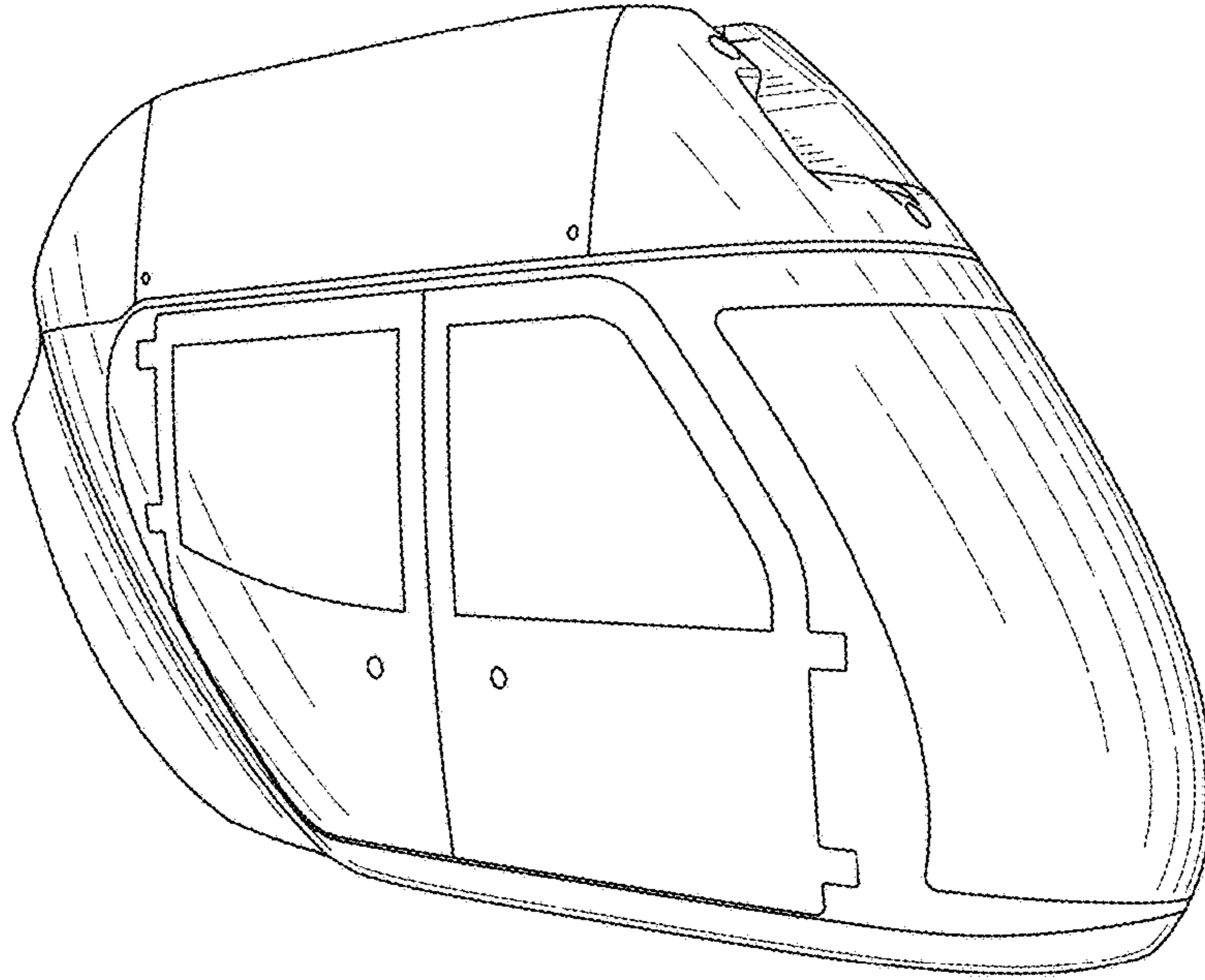


FIG. 8

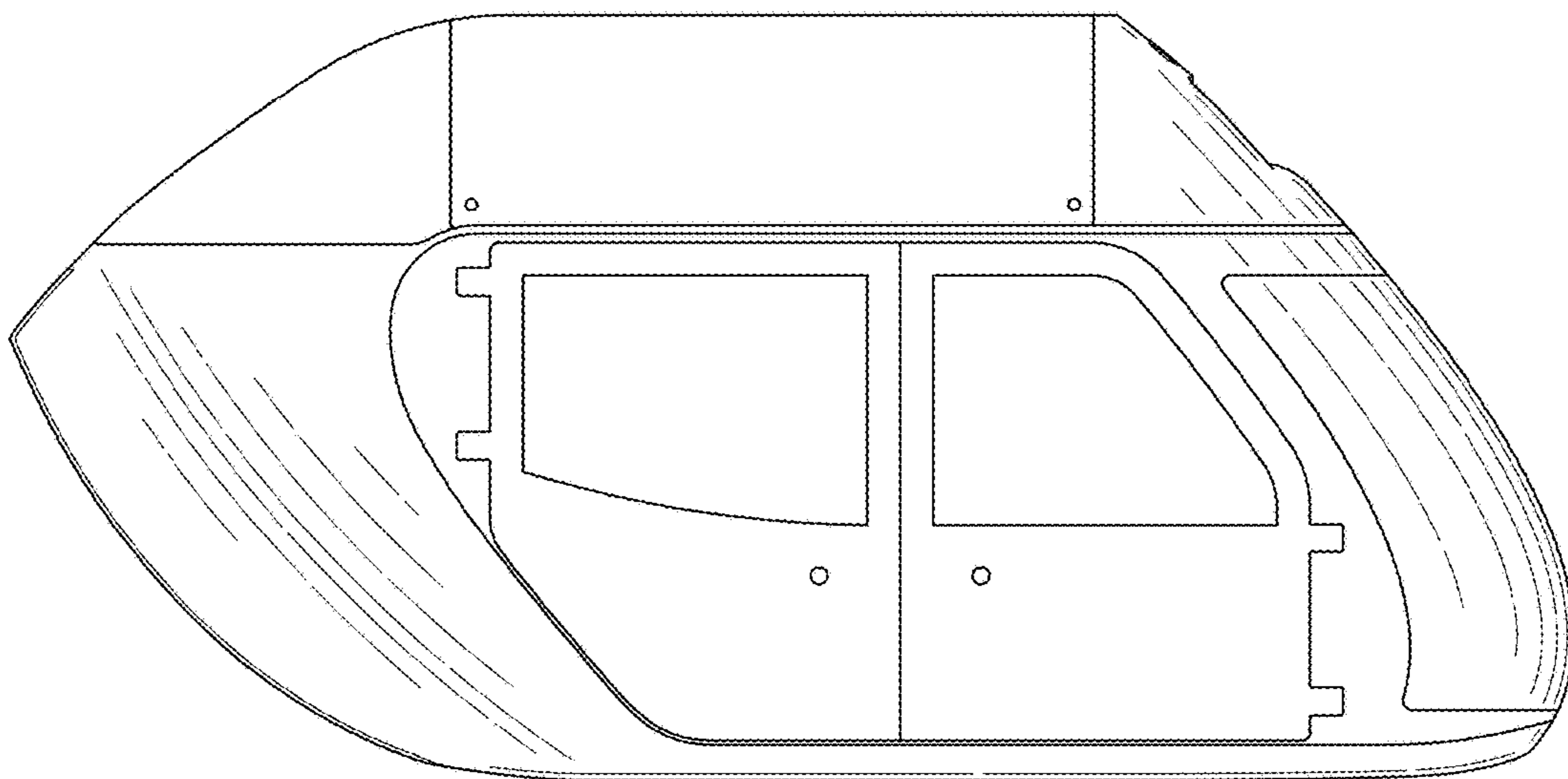


FIG. 9

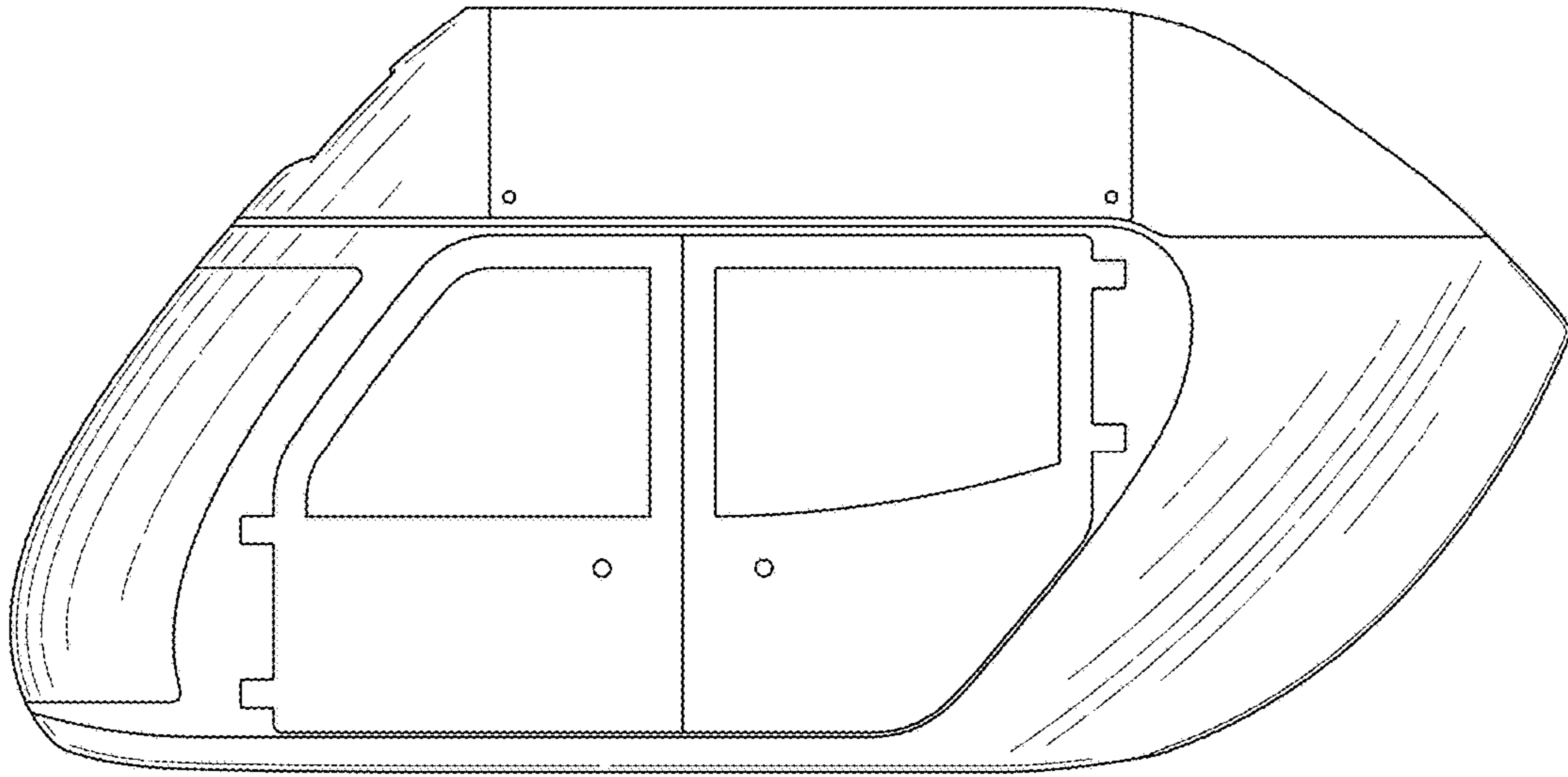


FIG. 10

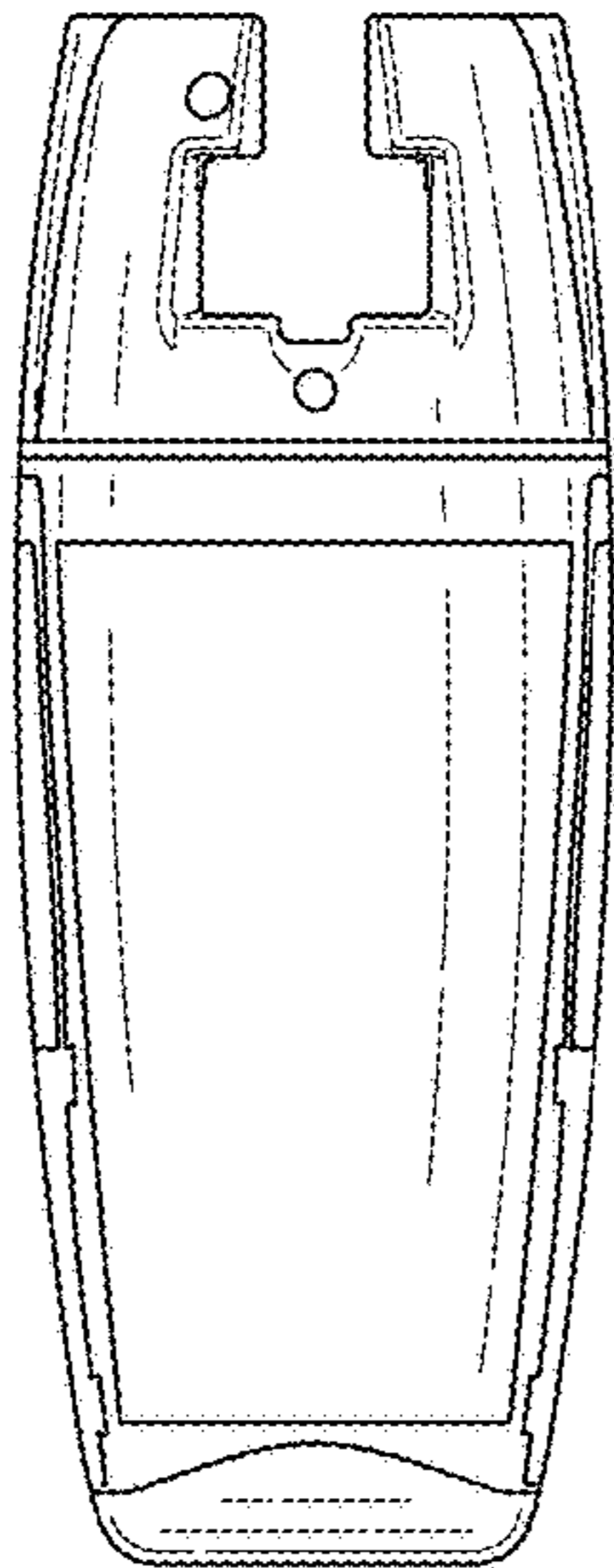


FIG. 11

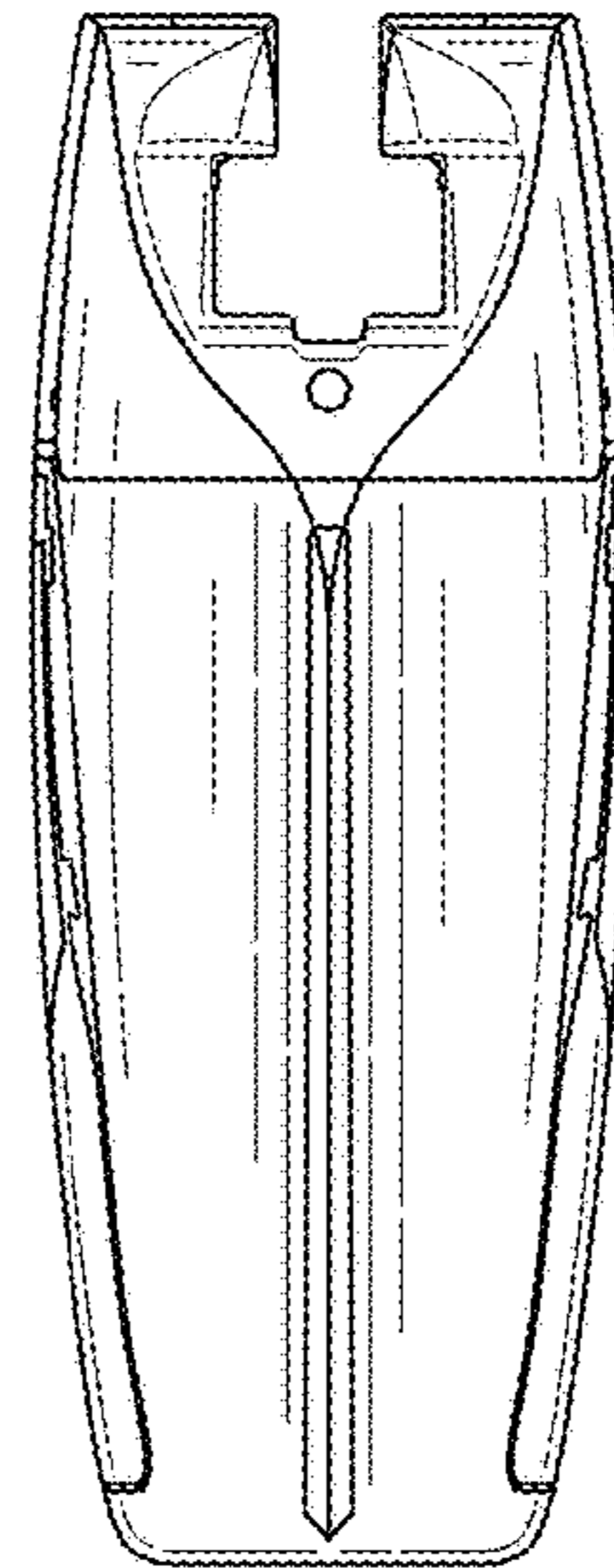


FIG. 12

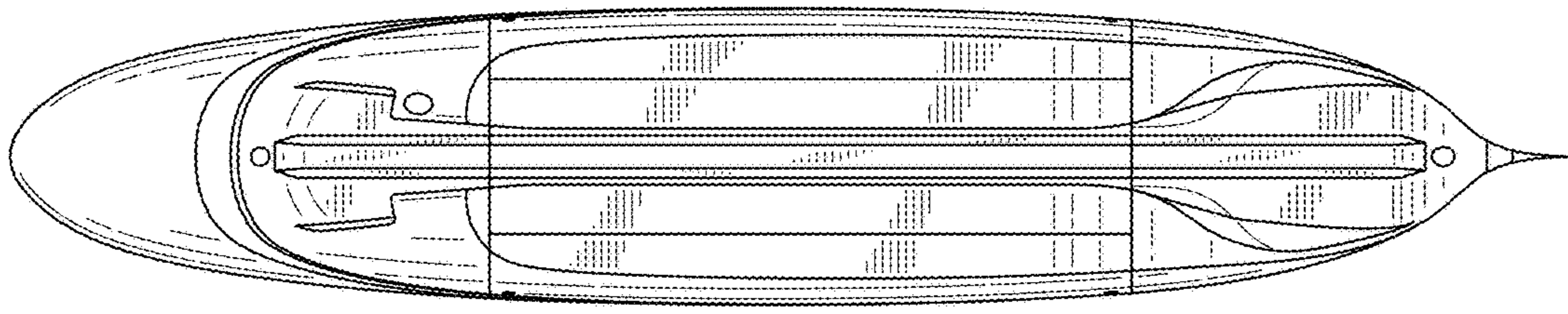


FIG. 13

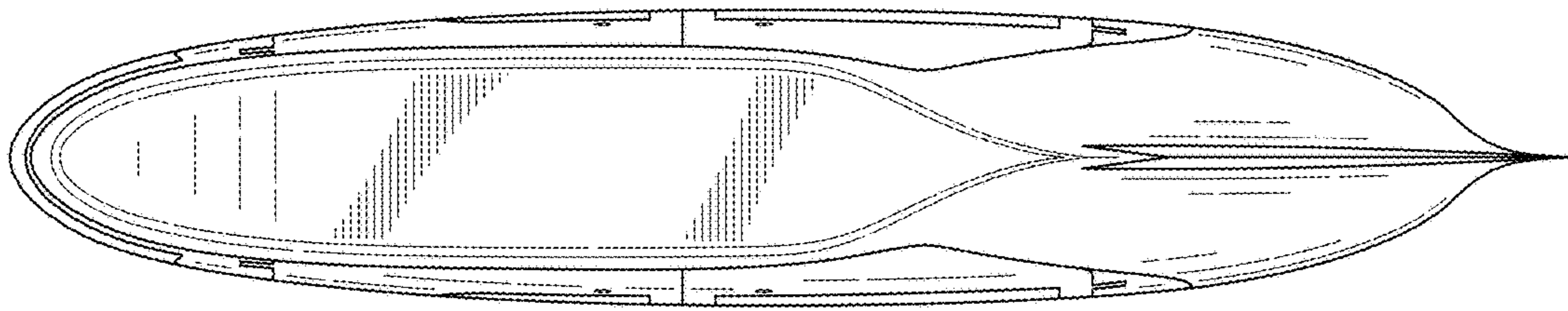


FIG. 14