



US00D830897S

(12) **United States Design Patent**
Choi

(10) **Patent No.:** **US D830,897 S**
(45) **Date of Patent:** **** Oct. 16, 2018**

- (54) **UNMANNED AERIAL VEHICLE**
- (71) Applicant: **Hyunhwan Choi**, Seoul (KR)
- (72) Inventor: **Hyunhwan Choi**, Seoul (KR)
- (**) Term: **15 Years**
- (21) Appl. No.: **29/618,185**
- (22) Filed: **Sep. 19, 2017**
- (51) **LOC (11) Cl.** **12-07**
- (52) **U.S. Cl.**
USPC **D12/16.1**
- (58) **Field of Classification Search**
USPC D12/16.1, 319-345; D21/436, 441, 442,
D21/443, 444, 447-454
CPC B64C 2201/141; B64C 39/024; B64C
2201/127
See application file for complete search history.

- D543,928 S * 6/2007 Sanders, Jr. B64C 27/12
D12/319
- D569,332 S * 5/2008 Brunner D12/325
- D634,257 S * 3/2011 Alexander D12/326
- D640,757 S * 6/2011 Cheng D21/451
- D669,836 S * 10/2012 Ordonez D12/213
- D708,272 S * 7/2014 Schmelter D12/16.1
- D725,575 S * 3/2015 Kapitan D12/323
- D740,201 S * 10/2015 Wang D12/326
- D751,025 S * 3/2016 Howell D12/16.1
- D761,690 S * 7/2016 Friesmuth D12/16.1
- D765,188 S * 8/2016 LaRussa D21/444
- D772,756 S * 11/2016 Gambus D12/16.1
- 9,529,086 B2 * 12/2016 Taoka G01N 15/06
- D780,665 S * 3/2017 Blincow D12/320
- D795,787 S * 8/2017 Blanpain D12/345
- D796,414 S * 9/2017 Fenny D12/328
- D798,221 S * 9/2017 Kaiser D12/325
- D798,794 S * 10/2017 Fenny D12/328
- D798,795 S * 10/2017 Fenny D12/328
- D808,329 S * 1/2018 Parks D12/328
- D815,580 S * 4/2018 Kim D12/325

(Continued)

Primary Examiner — Brandon M Rosati

Assistant Examiner — Marissa J Cash

(56) **References Cited**

U.S. PATENT DOCUMENTS

- D172,112 S * 5/1954 Shoemaker 244/23 C
- D179,435 S * 12/1956 Apostolescu D11/113
- D185,820 S * 8/1959 Machinski D12/325
- D187,823 S * 5/1960 Gassaway D12/325
- D197,447 S * 2/1964 Friedrich 244/12.2
- D209,763 S * 1/1968 Mueller 446/48
- D215,971 S * 11/1969 Rosta D12/325
- D218,365 S * 8/1970 Sherwood D12/325
- D231,976 S * 7/1974 Torelli D12/325
- D238,938 S * 2/1976 Moller D12/325
- 5,150,857 A * 9/1992 Moffitt B64C 27/20
244/12.2
- D418,475 S * 1/2000 Milde, Jr. D12/320
- D418,805 S * 1/2000 Cycon 244/12.3
- D487,048 S * 2/2004 Brunner D12/325
- D541,206 S * 4/2007 Brunner D12/325
- D543,495 S * 5/2007 Williams D12/345

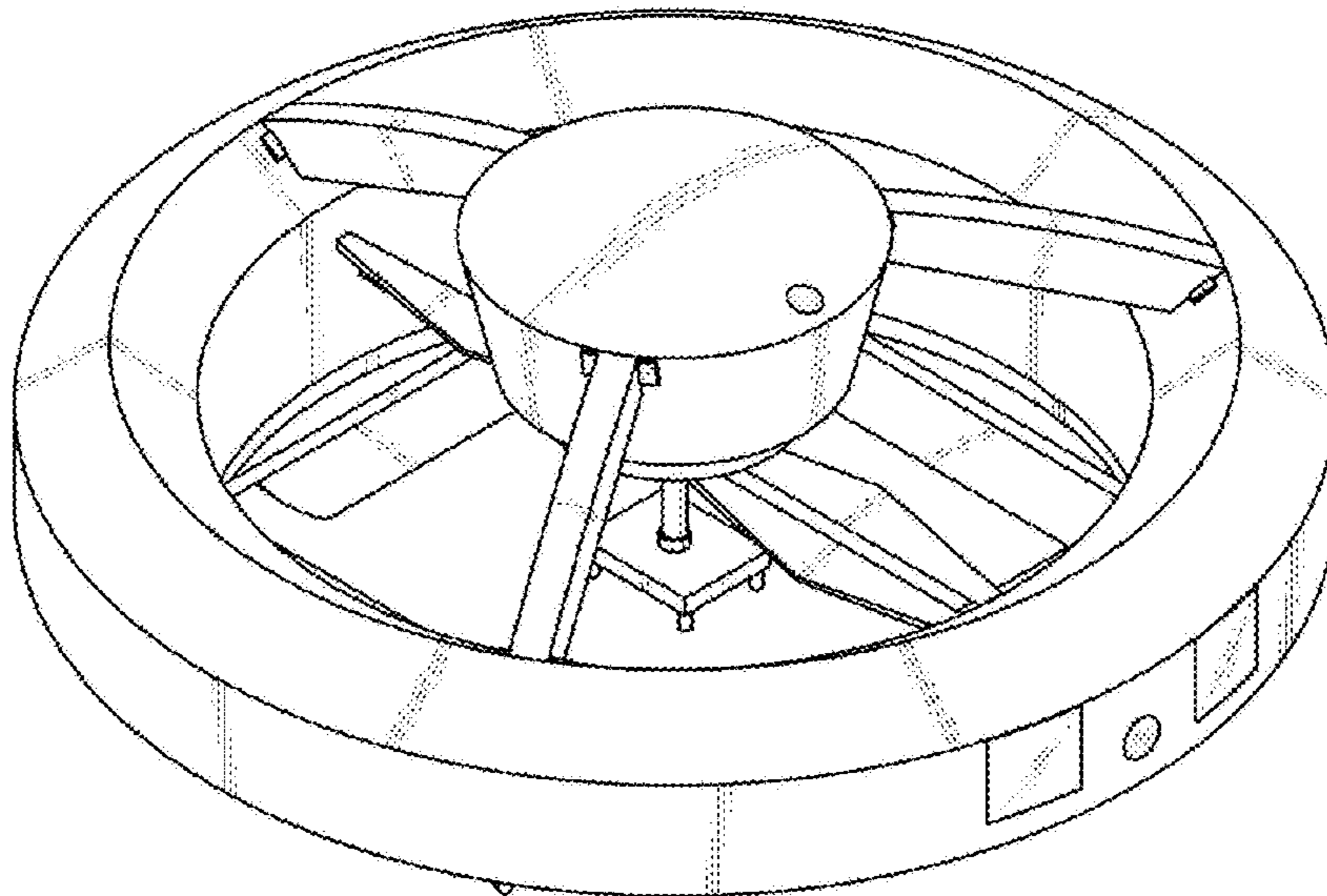
(57) **CLAIM**

The ornamental design for an unmanned aerial vehicle, as shown and described.

DESCRIPTION

FIG. 1 is a perspective view of an unmanned aerial vehicle; FIG. 2 is a front view thereof; FIG. 3 is a rear view thereof; FIG. 4 is a left side view thereof; FIG. 5 is a right side view thereof; FIG. 6 is a top view thereof; FIG. 7 is a bottom view thereof; and, FIG. 8 is a perspective view thereof, wherein a retractable landing gear of the unmanned aerial vehicle is extended.

1 Claim, 5 Drawing Sheets



(56)

References Cited

U.S. PATENT DOCUMENTS

D816,583 S * 5/2018 Dutertre D12/328
D817,252 S * 5/2018 Kim D12/325
2017/0313441 A1* 11/2017 Tsai B64C 39/024

* cited by examiner

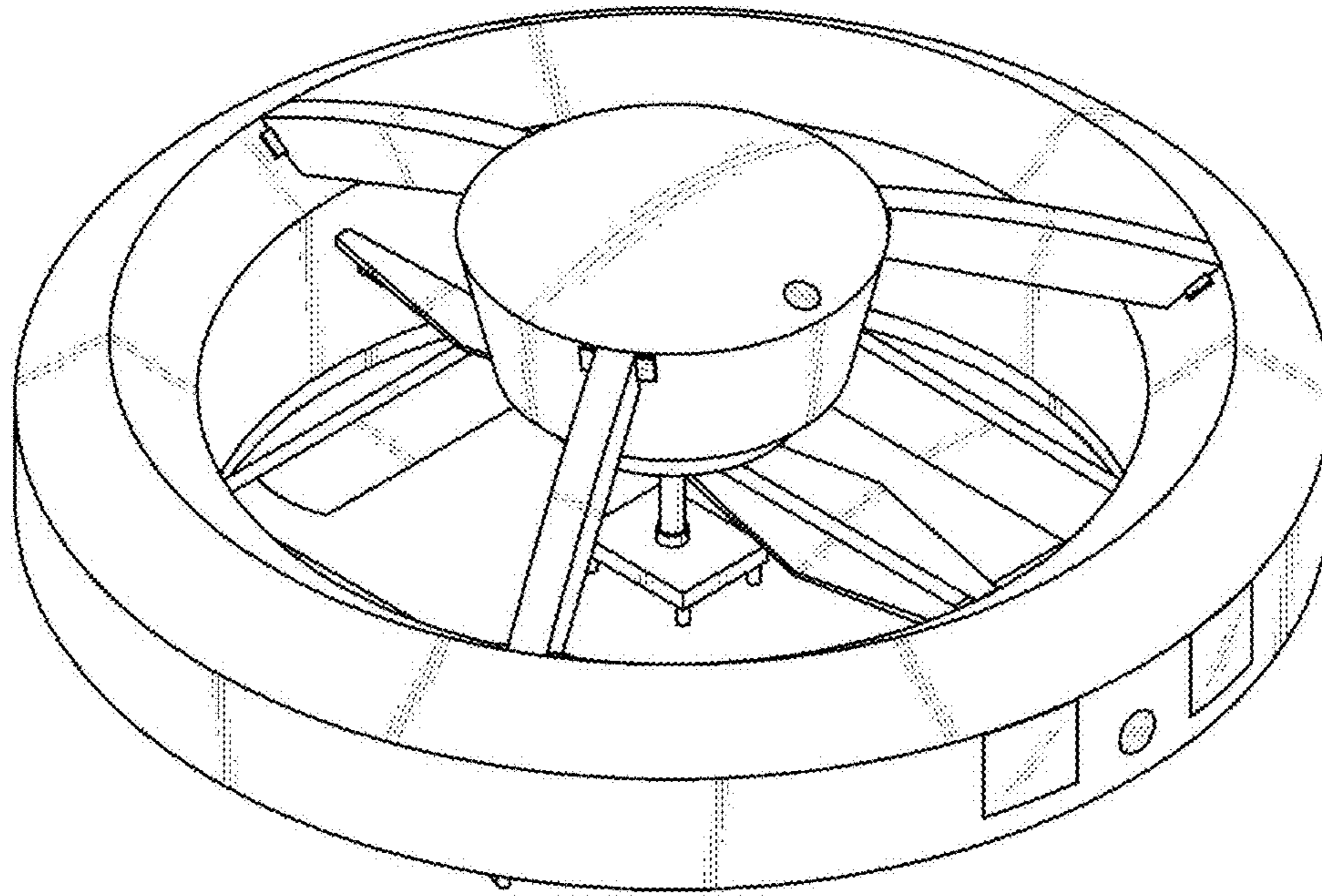


FIG. 1

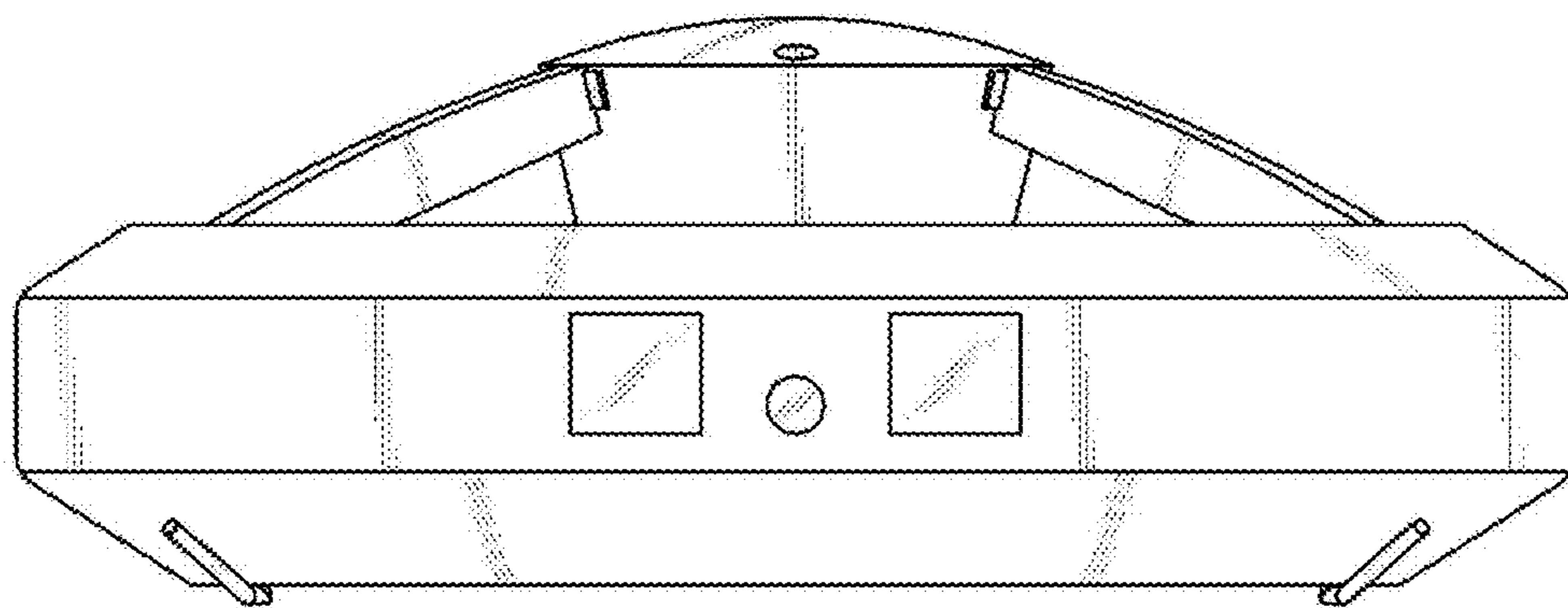


FIG. 2

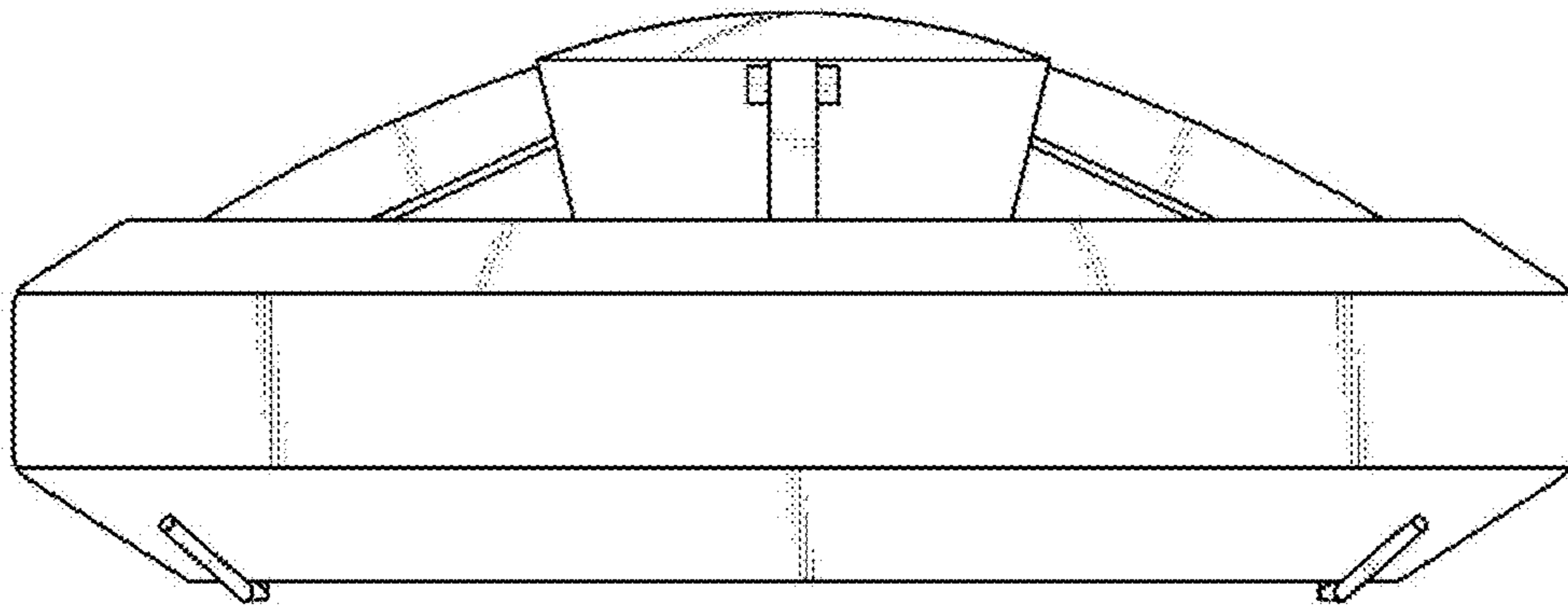


FIG. 3

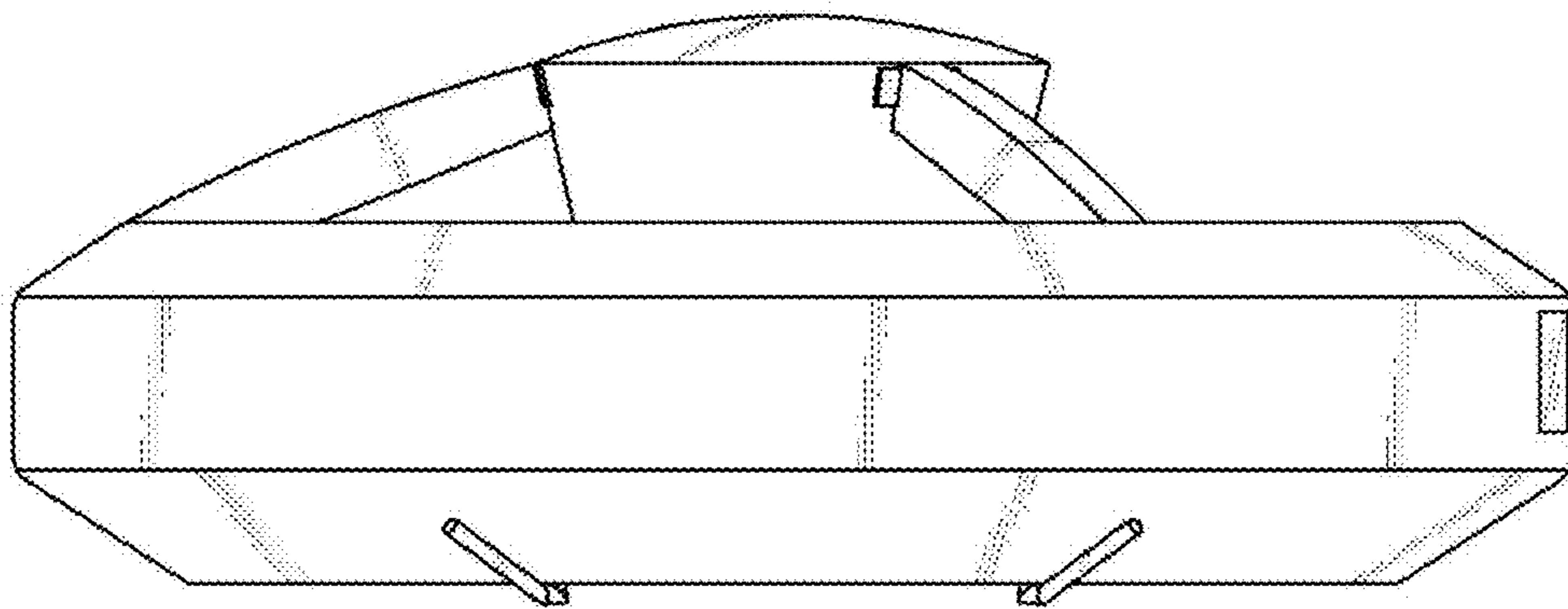


FIG. 4

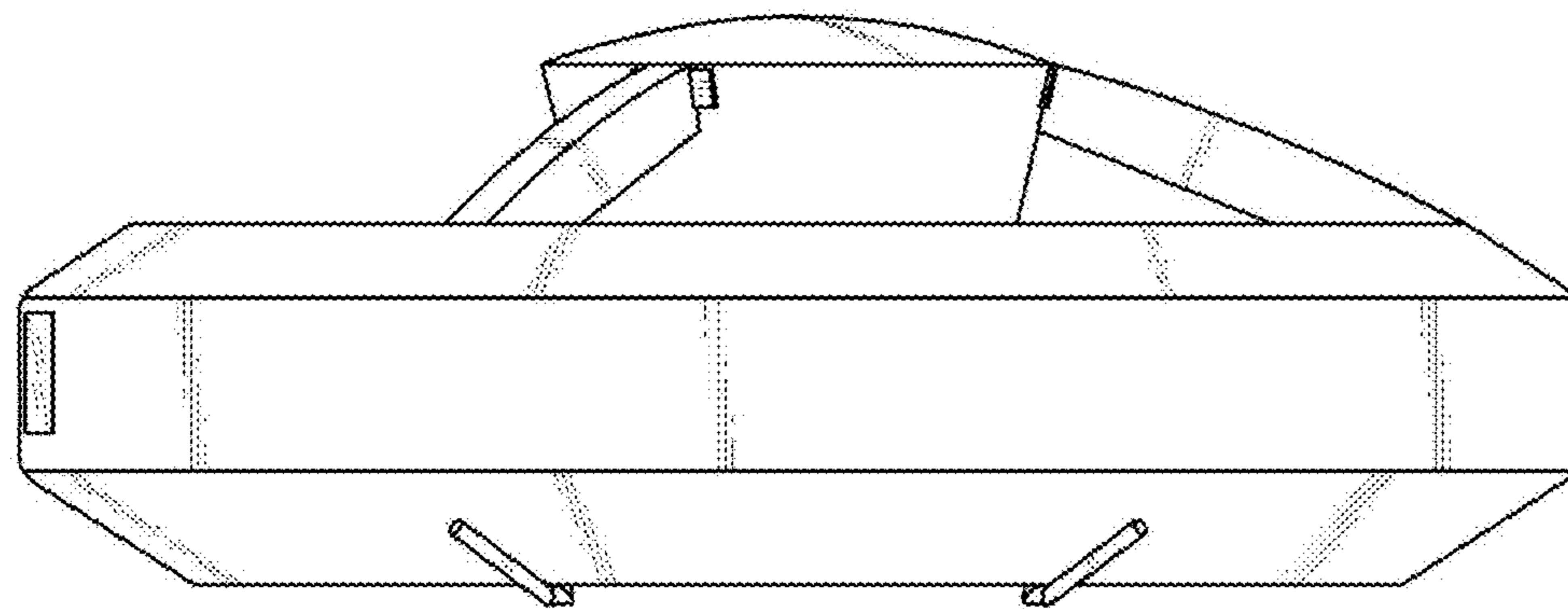


FIG. 5

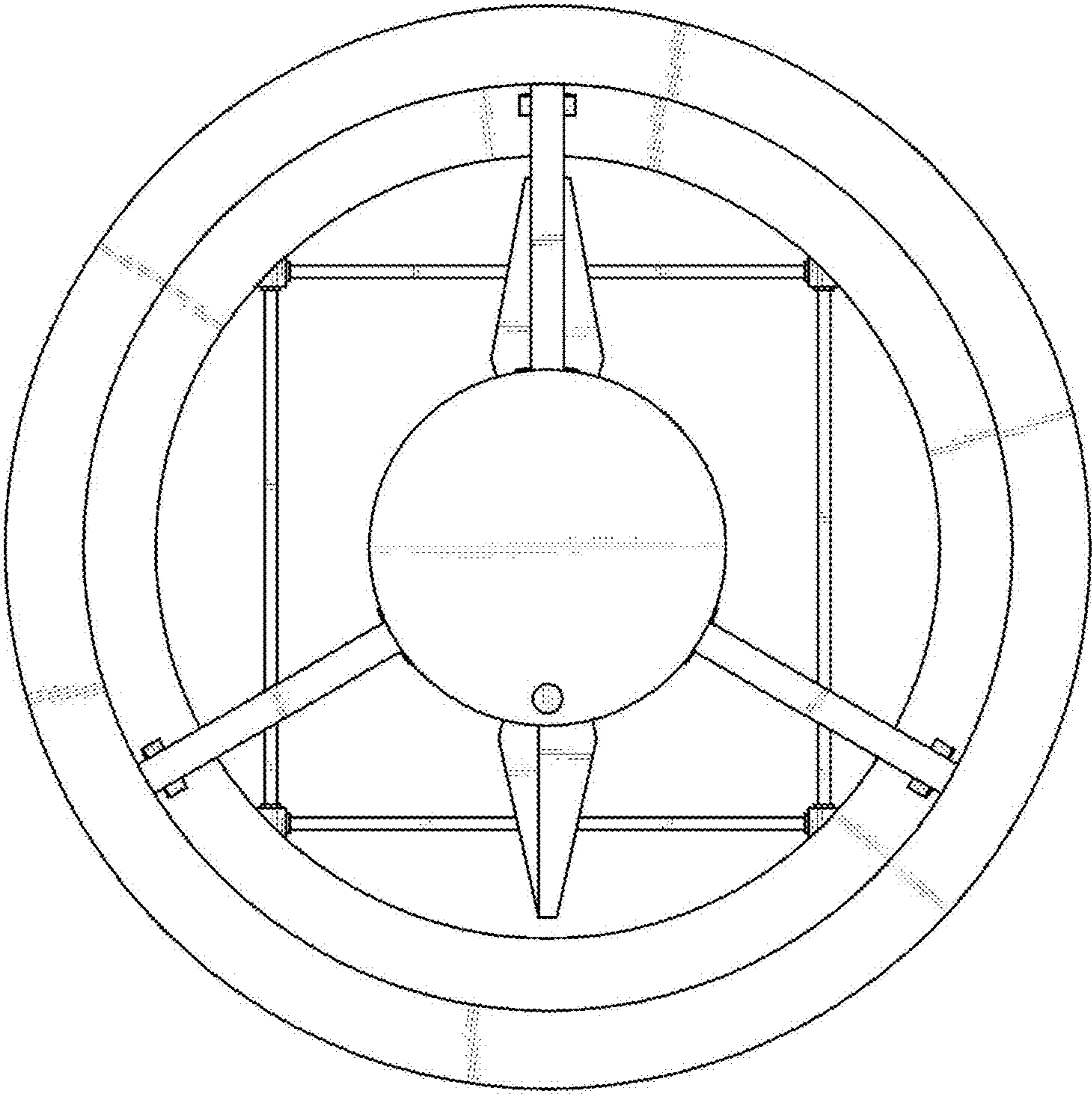


FIG.6

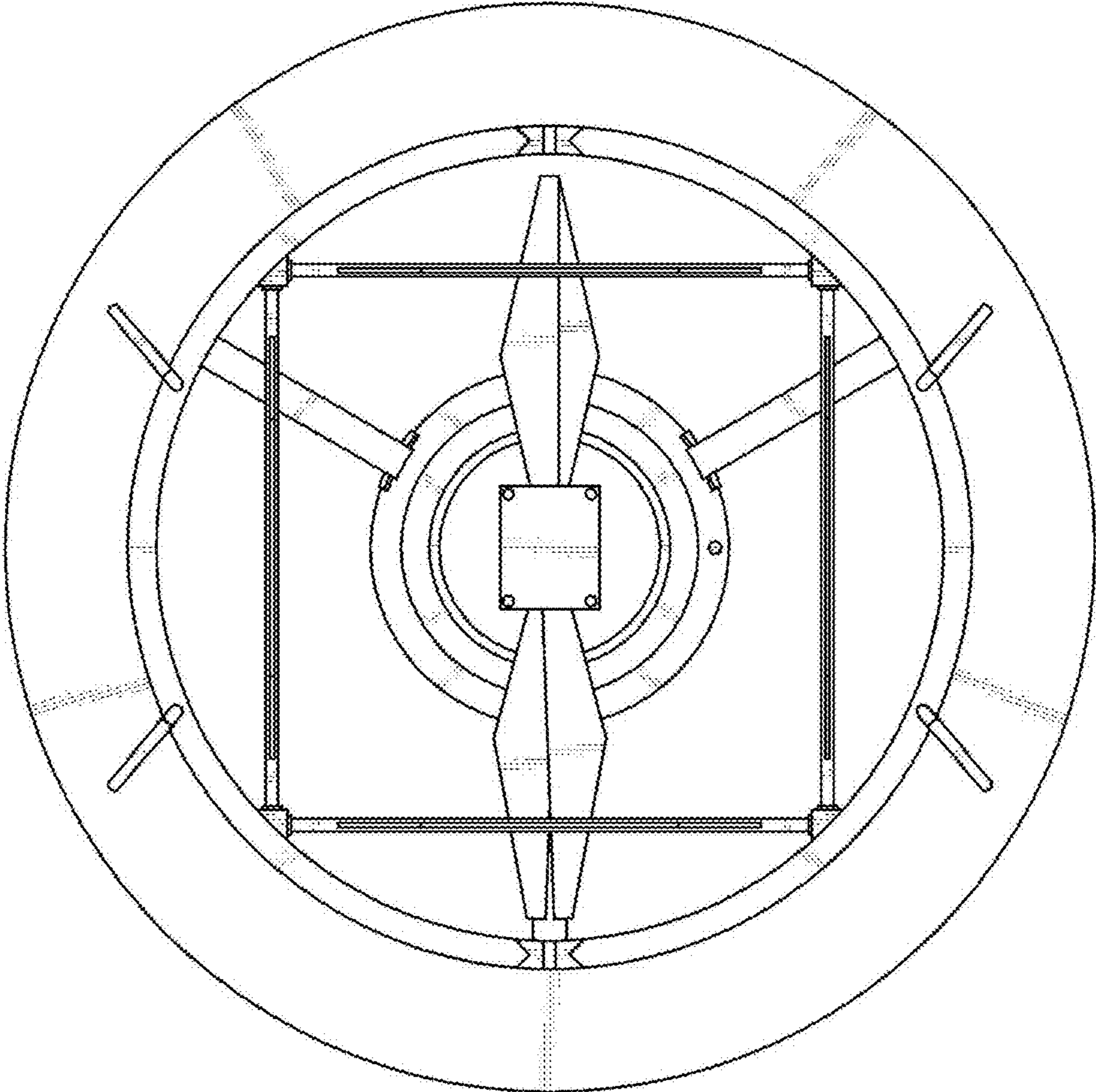


FIG. 7

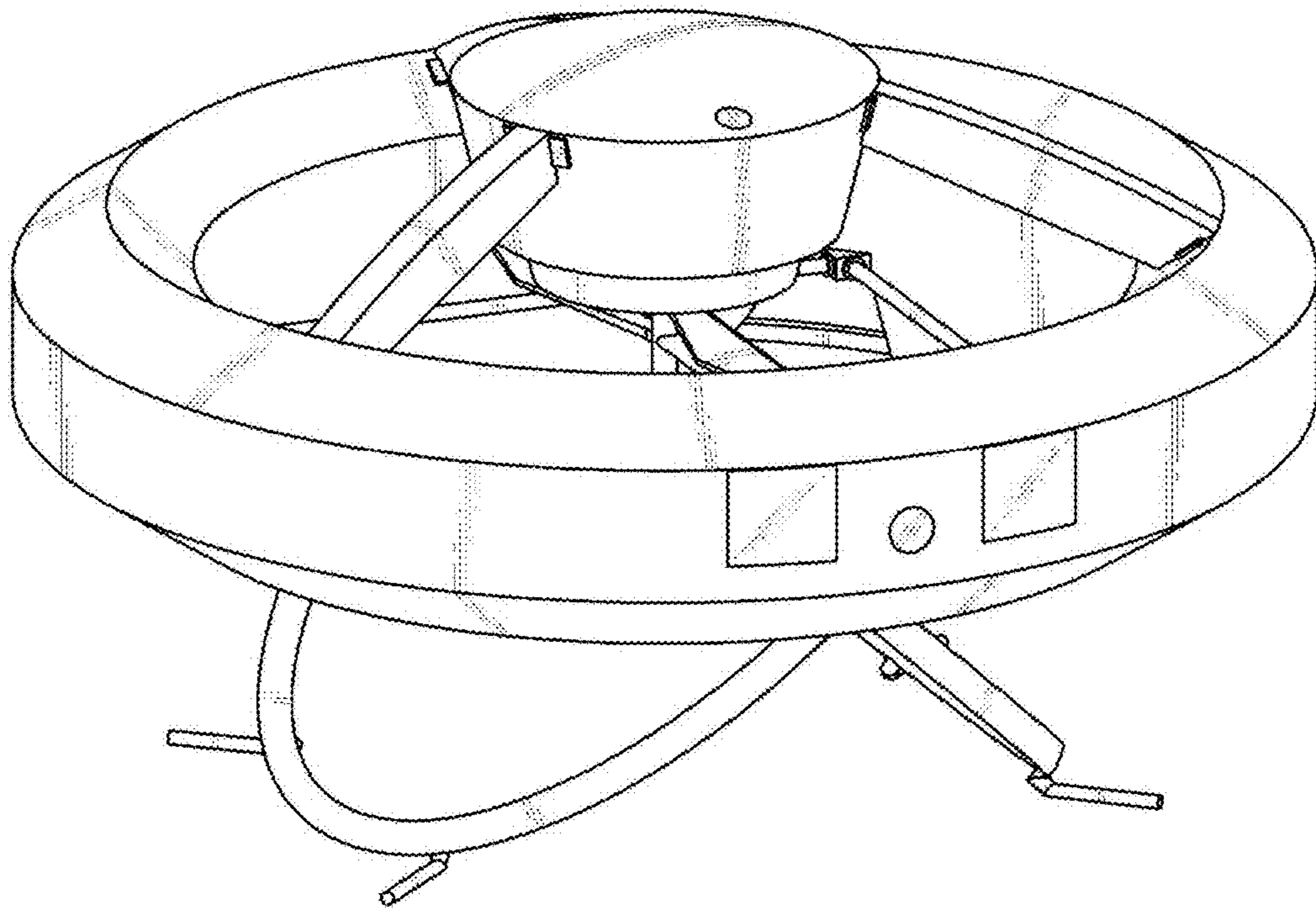


FIG. 8