



US00D830895S

(12) **United States Design Patent**  
**Hung et al.**

(10) **Patent No.:** **US D830,895 S**  
(45) **Date of Patent:** **\*\* Oct. 16, 2018**

(54) **SLIDER**

CPC ..... A44B 19/00; A44B 19/02; A44B 19/04;  
A44B 19/10; A44B 19/26; A44B 19/30;  
A44B 19/06; A44B 19/34; A44B 19/40;  
A44B 19/52; A44B 19/38; G02C 3/003;  
A44H 37/06; B29C 45/14573

(71) Applicant: **IDEAL FASTENER (GUANG DONG) INDUSTRIES LTD.,**  
Zhaoqing, Guangdong Province (CN)

See application file for complete search history.

(72) Inventors: **Franklin Chi Yen Hung**, Zhaoqing (CN); **Guoliang Qiu**, Zhaoqing (CN); **Wei Qiu**, Zhaoqing (CN); **Zongjian Lyu**, Zhaoqing (CN); **Fukang Wu**, Zhaoqing (CN); **Jianan Zeng**, Zhaoqing (CN)

(56) **References Cited**

U.S. PATENT DOCUMENTS

7,188,394 B2 \* 3/2007 Turvey ..... A44B 19/267  
24/399  
D706,675 S \* 6/2014 Saitsu ..... D11/221  
D741,750 S \* 10/2015 Ng ..... D11/221  
D804,989 S \* 12/2017 Hung ..... D11/221

\* cited by examiner

*Primary Examiner* — Ralf Seifert

(74) *Attorney, Agent, or Firm* — Hauptman Ham, LLP

(57) **CLAIM**

A new, original, ornamental design for a slider, as shown.

**DESCRIPTION**

FIG. 1 is a front view of a first embodiment of a slider;  
FIG. 2 is a back view thereof;  
FIG. 3 is a left side view thereof;  
FIG. 4 is a right side view thereof;  
FIG. 5 is a bottom view thereof;  
FIG. 6 is a top view thereof;  
FIG. 7 is a front-left-top perspective view thereof;  
FIG. 8 is a front-right-bottom perspective view thereof; and,  
FIG. 9 is a back-right-top perspective view thereof.

**1 Claim, 9 Drawing Sheets**

(73) Assignee: **IDEAL FASTENER (GUANG DONG) INDUSTRIES LTD.,**  
Zhaoqing (CN)

(\*\*) Term: **15 Years**

(21) Appl. No.: **29/616,047**

(22) Filed: **Sep. 1, 2017**

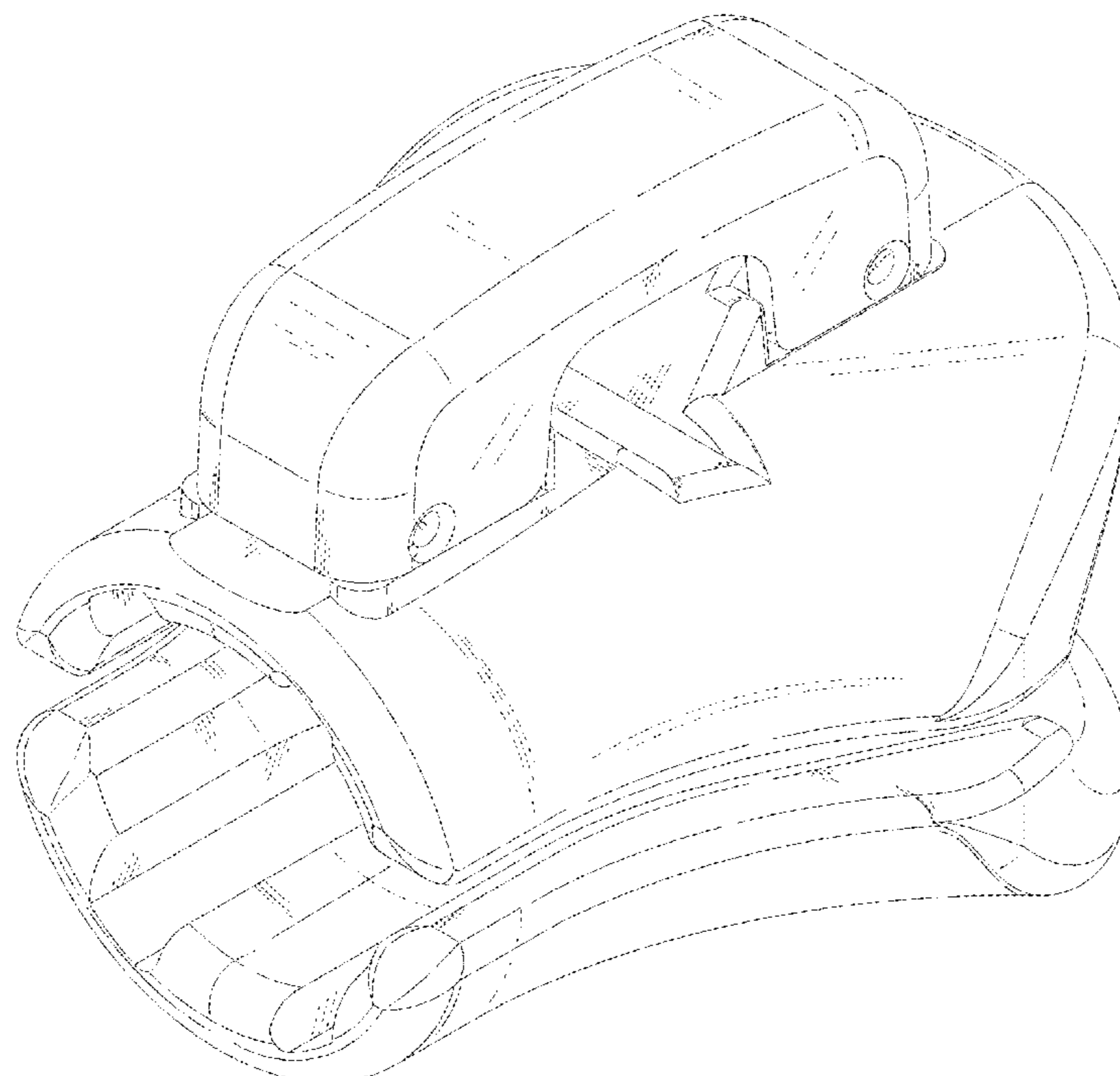
(30) **Foreign Application Priority Data**

Apr. 1, 2017 (CN) ..... 2017 3 0105529

(51) **LOC (11) Cl.** ..... **02-07**

(52) **U.S. Cl.**  
USPC ..... **D11/221**

(58) **Field of Classification Search**  
USPC ..... D11/200, 201, 221; 24/381–383,  
24/385–389, 401, 414–417, 421–422,  
24/427–431, 433, 434; 2/265; D2/641,  
D2/642; 294/3.6; 223/118; D8/33, 34,  
D8/40



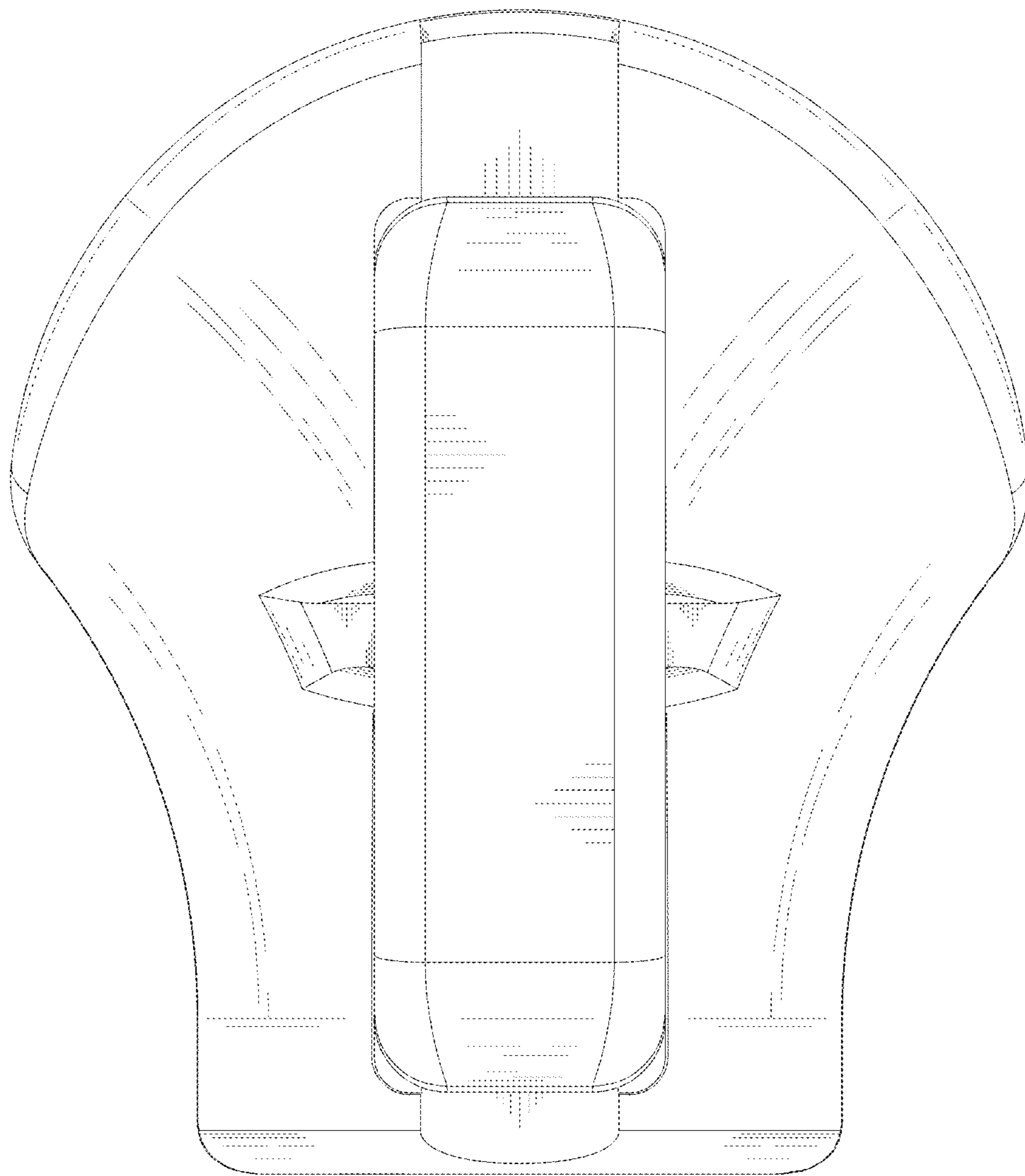


Fig. 1

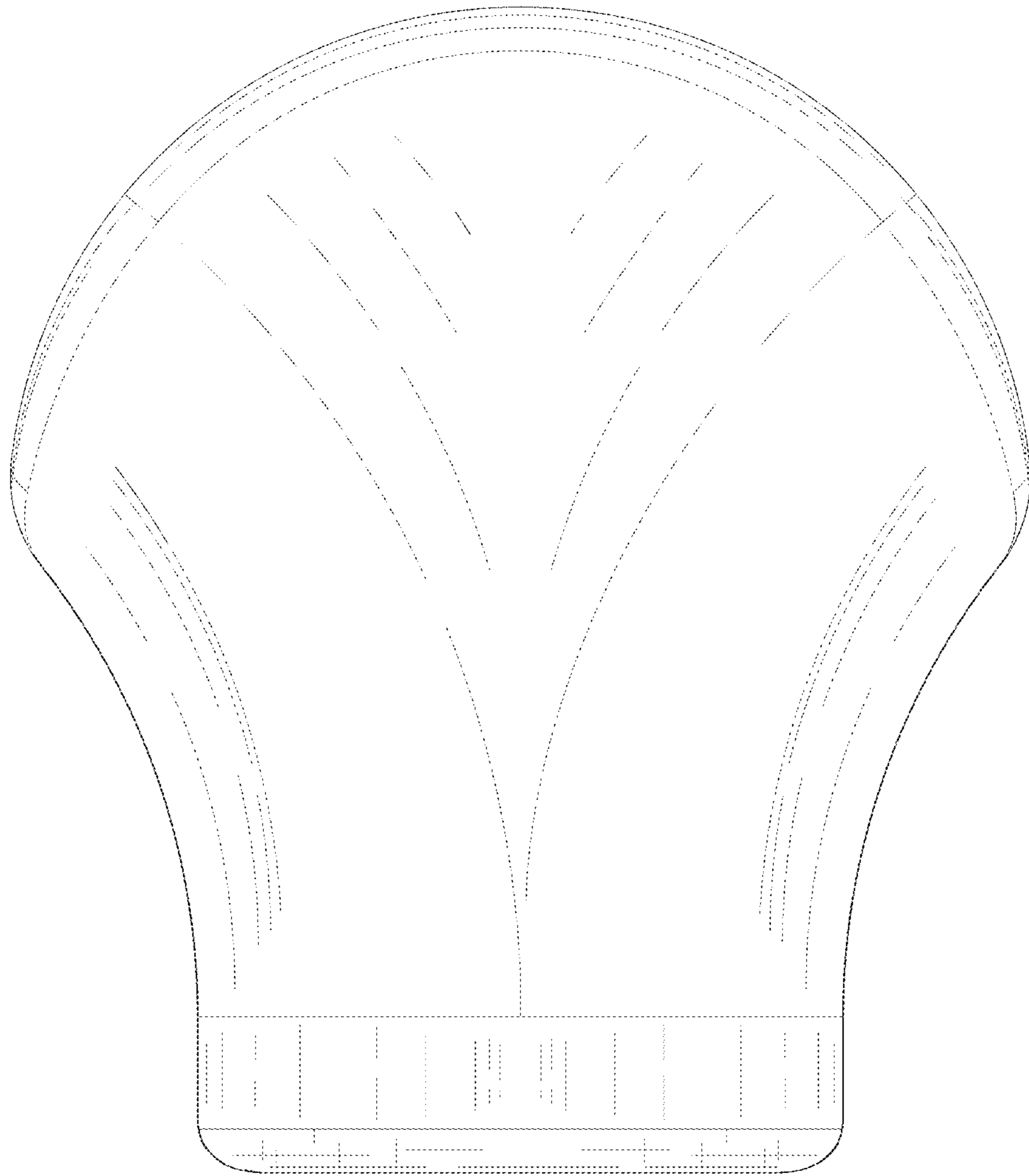


Fig. 2

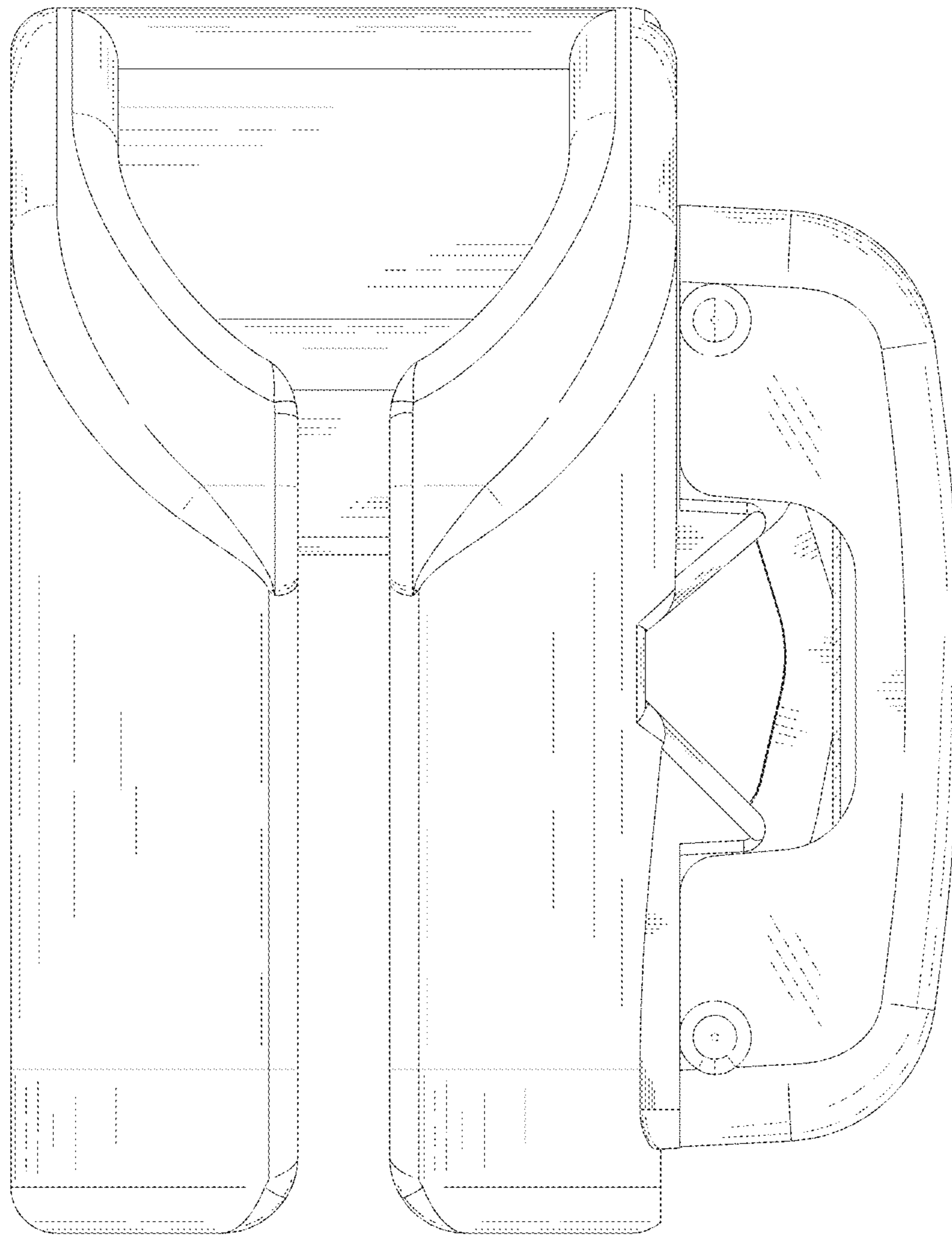


Fig. 3

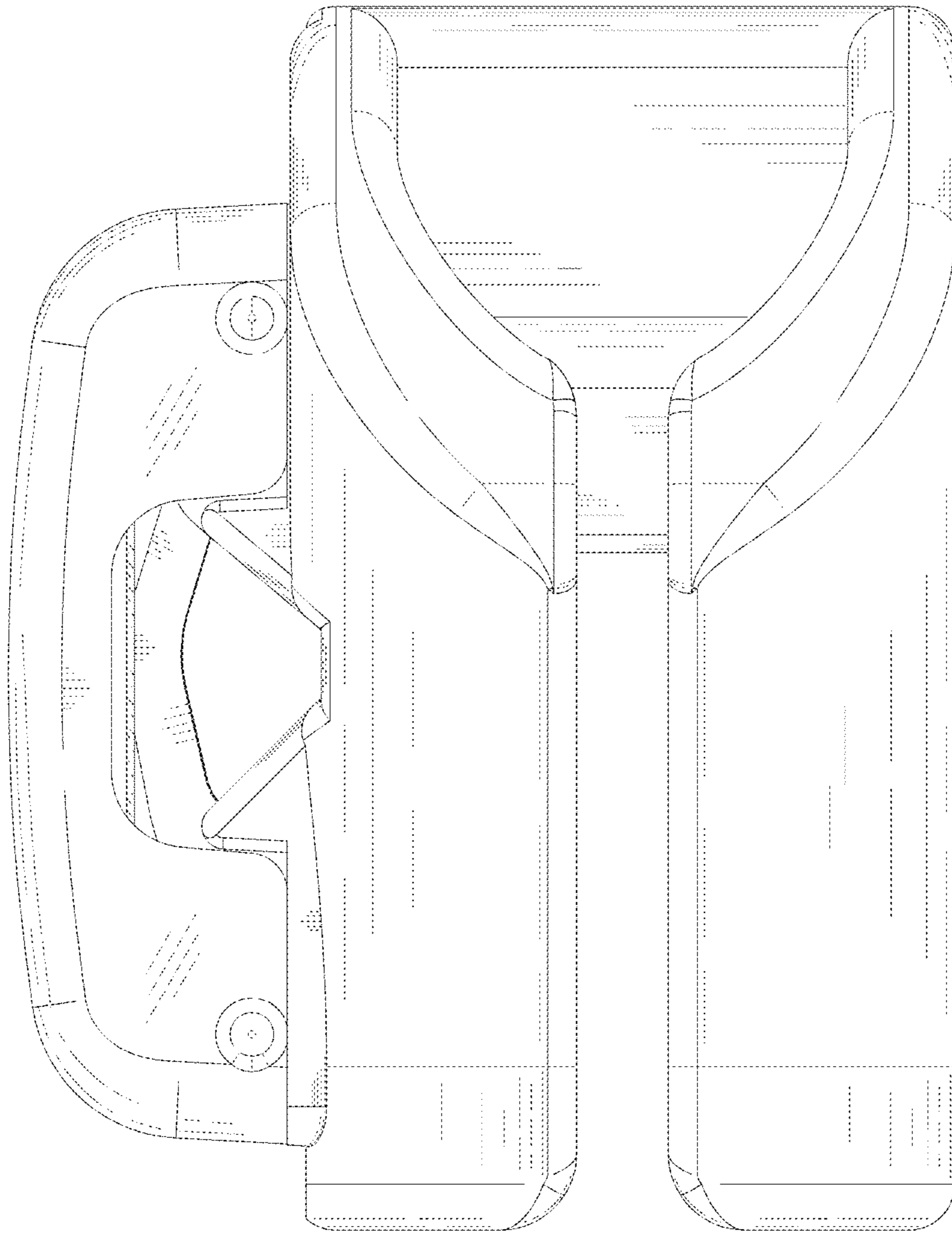


Fig. 4

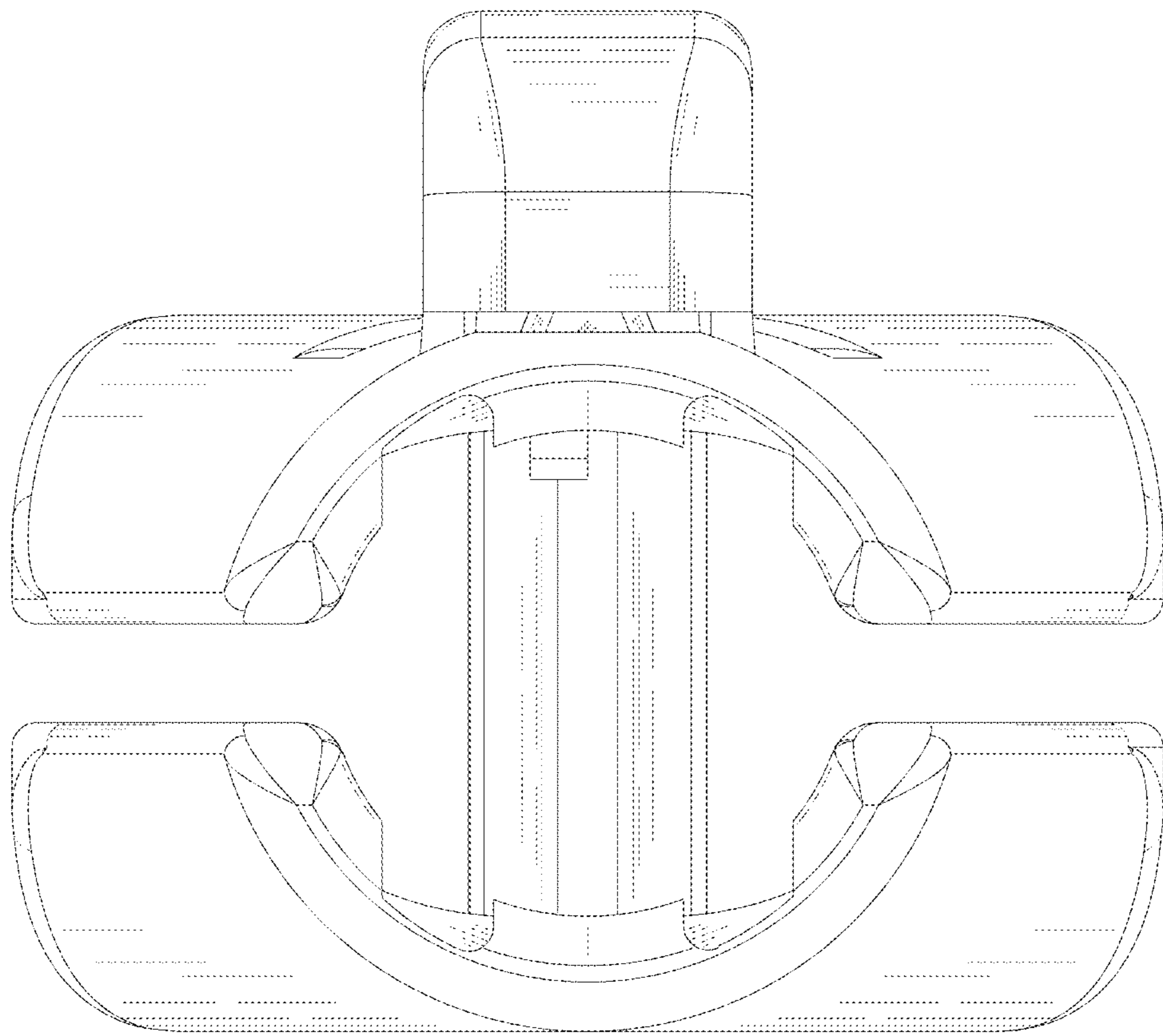


Fig. 5

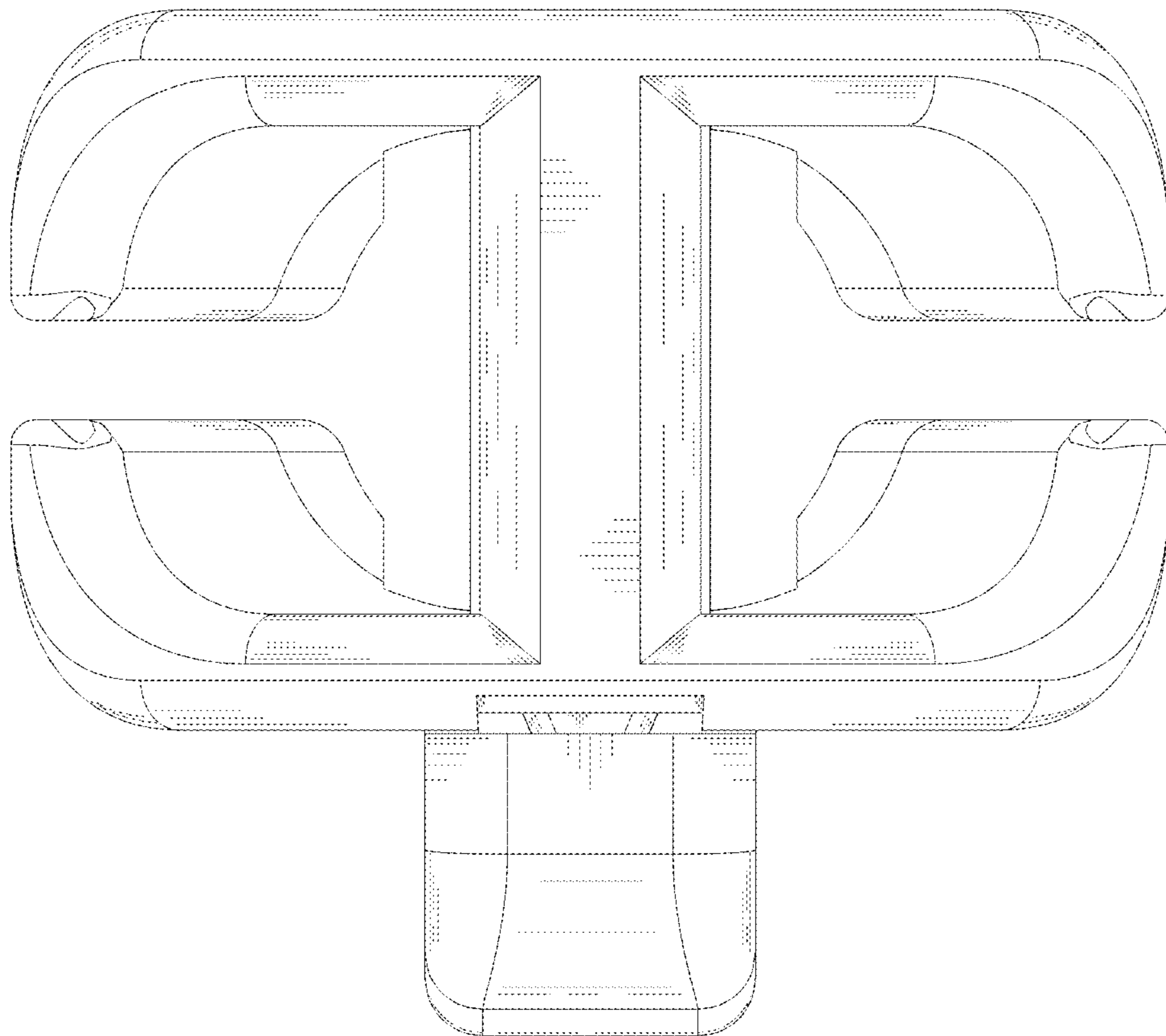


Fig. 6

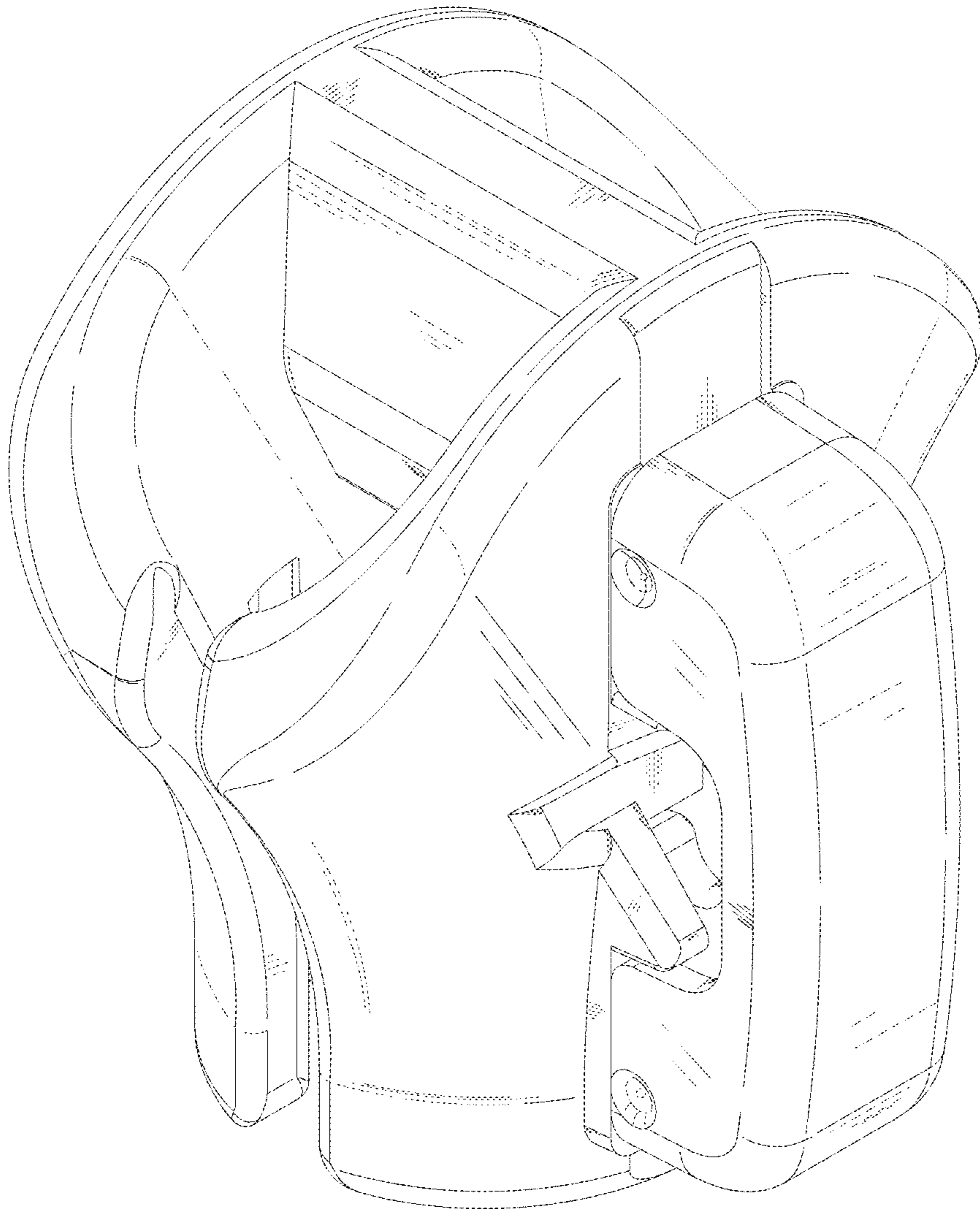


Fig. 7



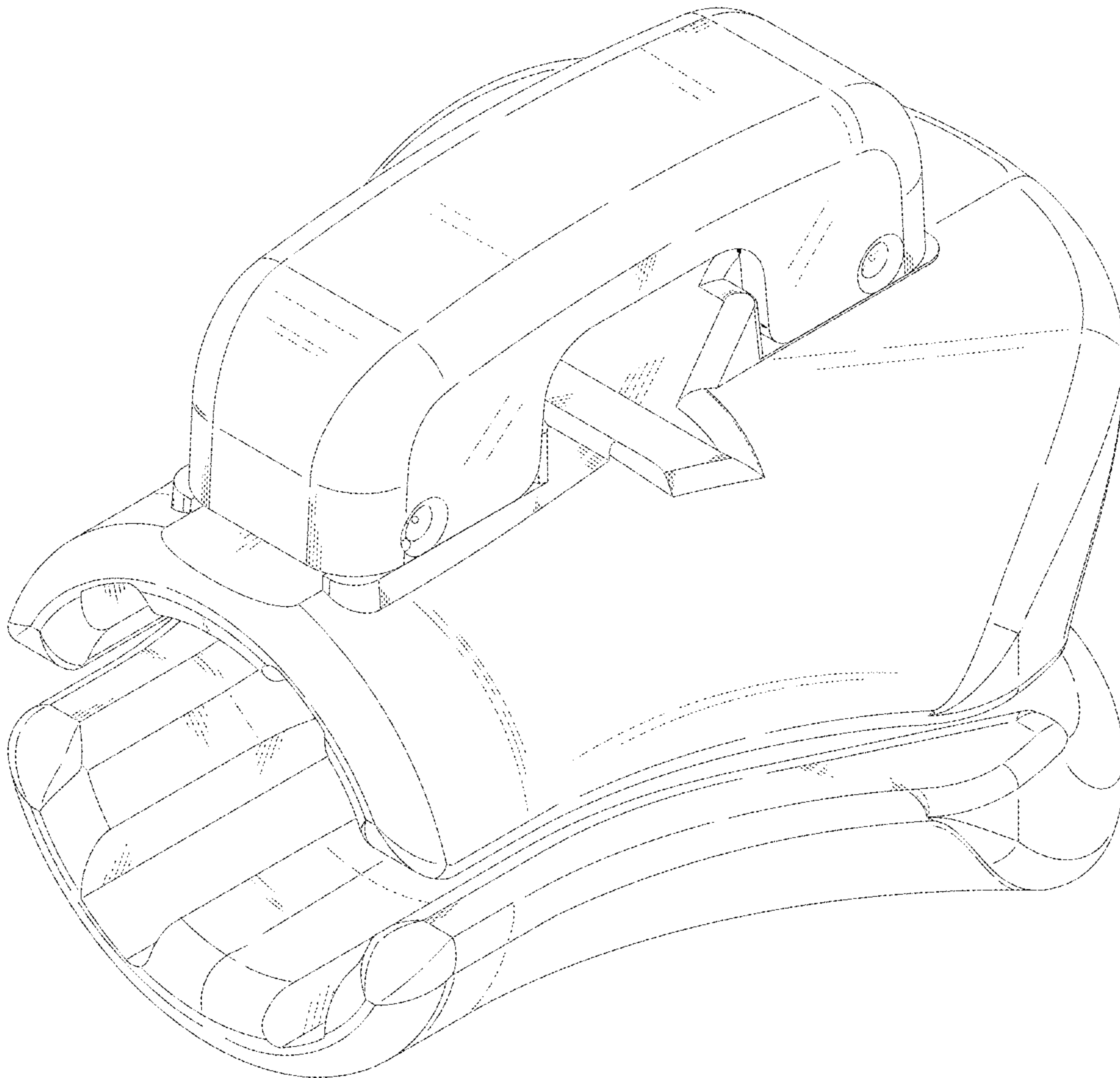


Fig. 8

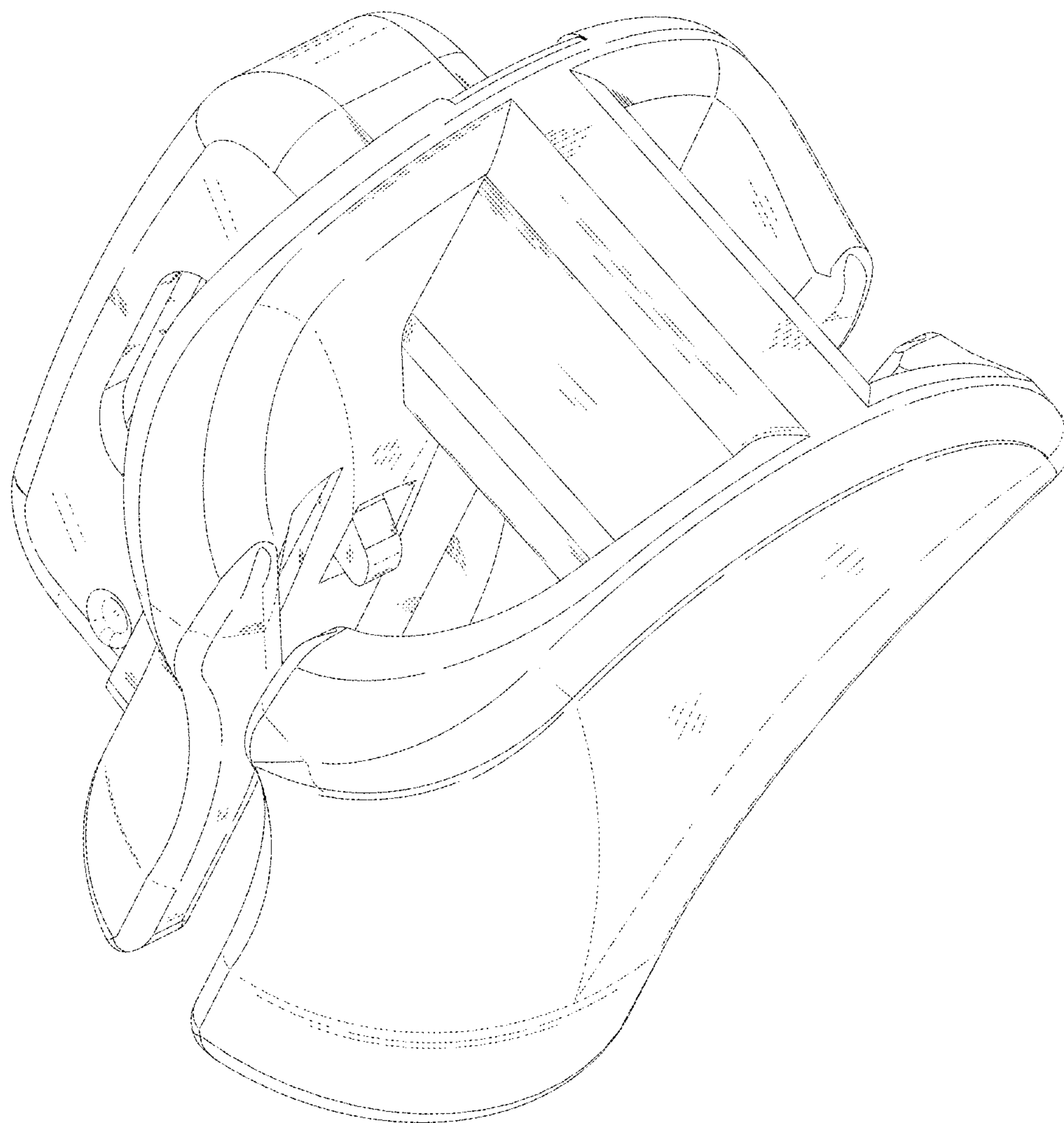


Fig. 9