



US00D830891S

(12) **United States Design Patent**
Thuma et al.

(10) **Patent No.:** **US D830,891 S**
(45) **Date of Patent:** **** Oct. 16, 2018**

- (54) **PLANTER**
- (71) Applicant: **Suncast Technologies, LLC**, Palm Beach Gardens, FL (US)
- (72) Inventors: **Michael Thuma**, La Grange, IL (US); **Torrence Anderson**, Overland Park, KS (US); **Michael R. Vogler**, Oswego, IL (US)
- (73) Assignee: **Suncast Technologies, LLC**, Palm Beach Gardens, FL (US)
- (**) Term: **15 Years**
- (21) Appl. No.: **29/604,677**
- (22) Filed: **May 19, 2017**
- (51) **LOC (11) Cl.** **11-02**
- (52) **U.S. Cl.**
USPC **D11/152**
- (58) **Field of Classification Search**
USPC D6/403-405, 556-558, 675; D11/143-156, 164; D9/428, 500, 519, D9/549; D3/306; D7/522, 524, 537
CPC A01G 9/02; A01G 9/021; A01G 9/028; A01G 9/029; A01G 9/04; A01G 9/042; A01G 9/045; A47G 7/00; A47G 7/006; A47G 7/02; A47G 7/025; A47G 7/04; A47G 7/044; A47G 7/06
See application file for complete search history.

(56) **References Cited**

U.S. PATENT DOCUMENTS

D47,285 S *	5/1915	Ebeling	D7/562
D75,448 S *	6/1928	Root	D9/553
2,317,067 A *	4/1943	Knaust	B65D 85/78 229/117.12
D156,799 S *	1/1950	Yutzey	D7/548
D219,432 S *	12/1970	Edwards	D7/523
D272,213 S *	1/1984	Daenen	D7/523

4,446,652 A *	5/1984	Anderson	A01G 9/02 47/67
D297,089 S *	8/1988	West	D7/523
D313,203 S *	12/1990	Carlson	47/79
D368,234 S *	3/1996	Dickinson	D11/152
D548,530 S *	8/2007	Dien	D7/560
D564,640 S *	3/2008	Kakahana	D23/293.1
D598,224 S *	8/2009	Zanini	D11/152
7,886,484 B1 *	2/2011	Chen	A01G 9/02 220/640
D639,706 S *	6/2011	Orschulik	D11/151
D651,865 S *	1/2012	Smyers	D7/584
D690,226 S *	9/2013	Thuma	D11/152
D723,418 S *	3/2015	Thuma	D11/143
D800,014 S *	10/2017	Beesley	D11/152
2010/0107488 A1 *	5/2010	King	A01G 13/0212 47/20.1
2014/0044892 A1 *	2/2014	Glenn	A01G 9/02 428/16

* cited by examiner

Primary Examiner — Elizabeth A. Albert

(74) *Attorney, Agent, or Firm* — McHale & Slavin, P.A.

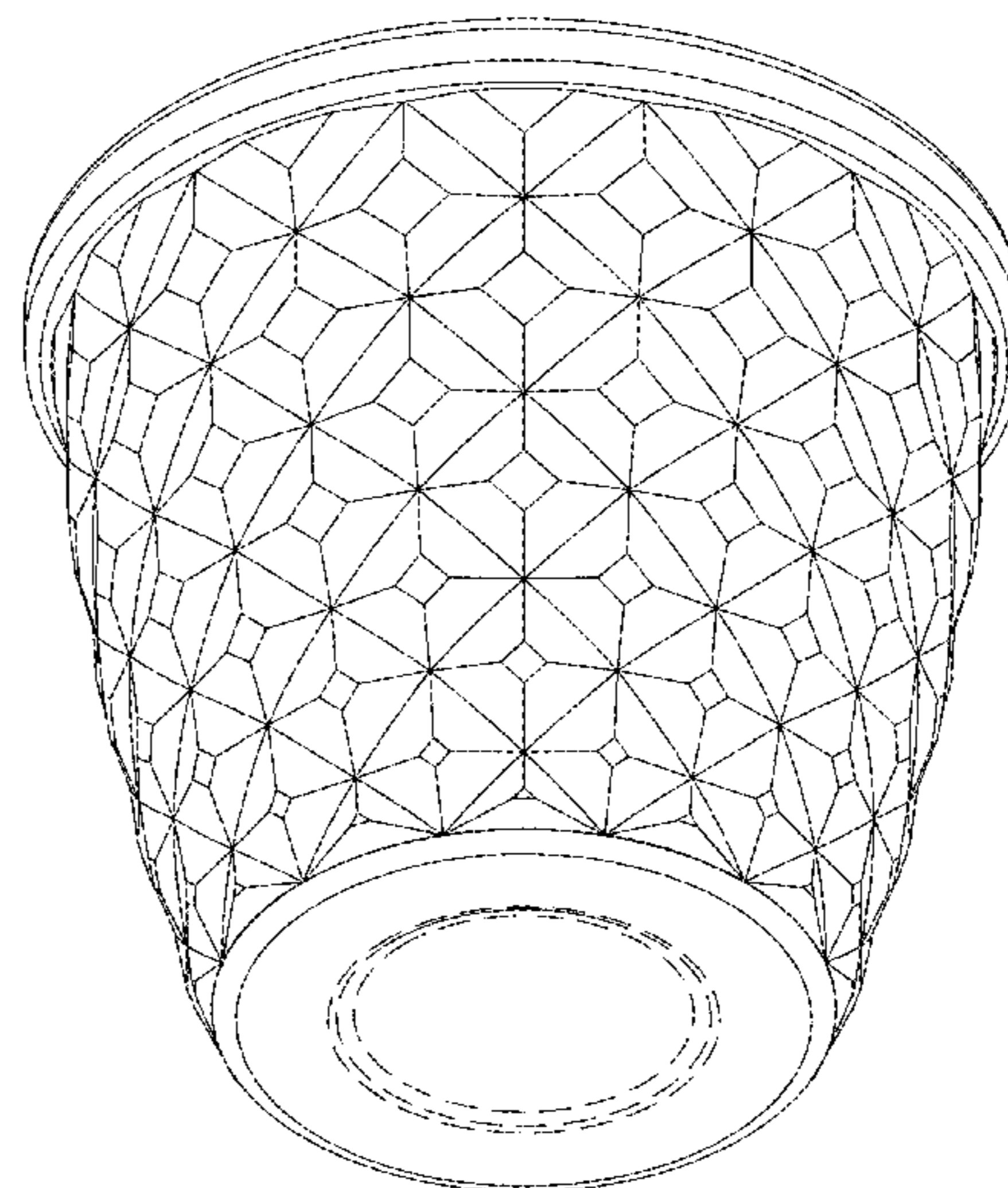
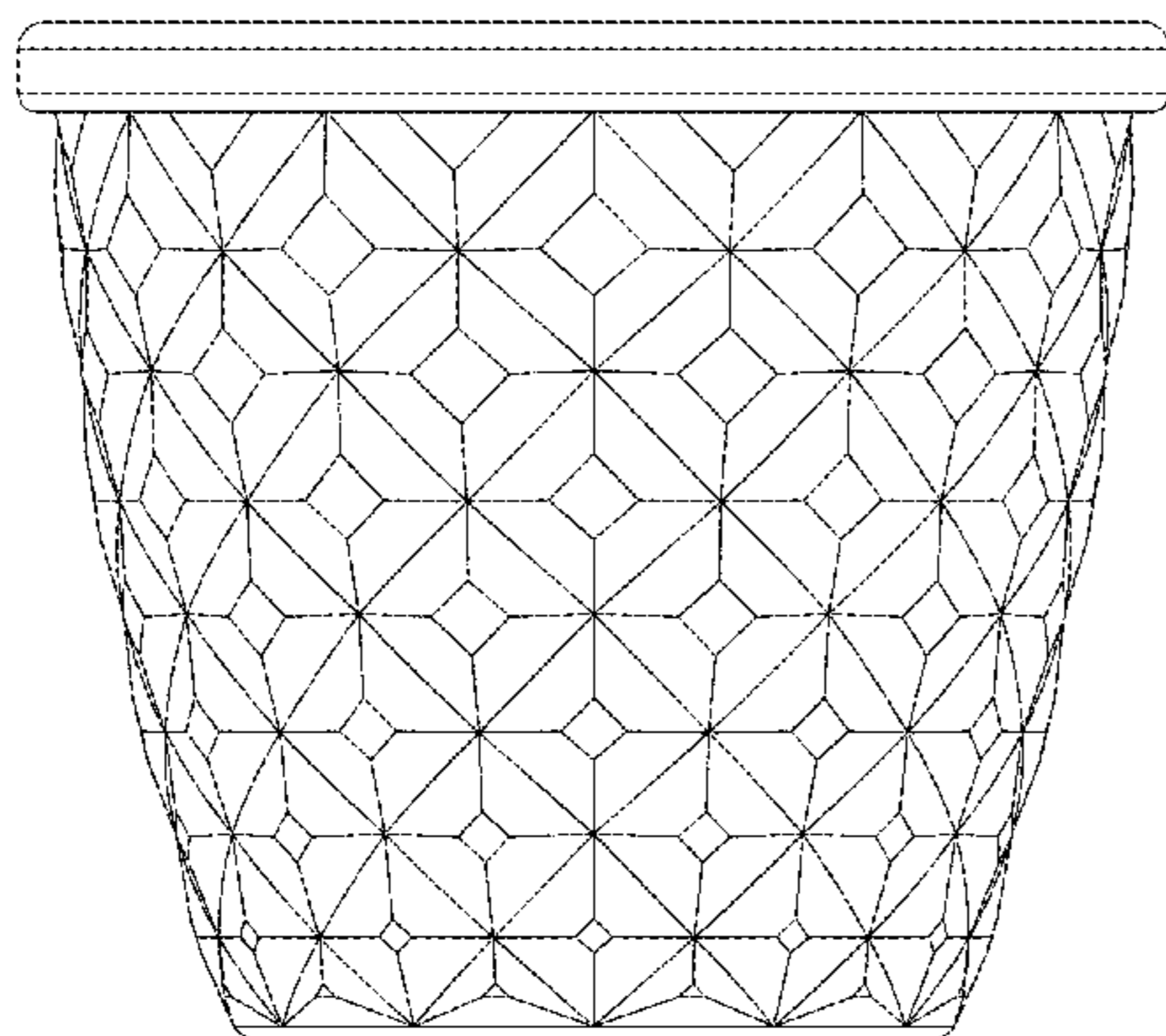
(57) **CLAIM**

The ornamental design for a planter, as shown and described.

DESCRIPTION

FIG. 1 is a top perspective view of the planter of the present invention;
 FIG. 2 is a front view thereof;
 FIG. 3 is a rear view thereof;
 FIG. 4 is a left side view thereof;
 FIG. 5 is a right side view thereof;
 FIG. 6 is a bottom view thereof;
 FIG. 7 is a top view thereof;
 FIG. 8 is a top perspective view thereof; and,
 FIG. 9 is a bottom perspective view thereof.
 The portions of the planter illustrated in broken lines form no part of the claimed design.

1 Claim, 9 Drawing Sheets



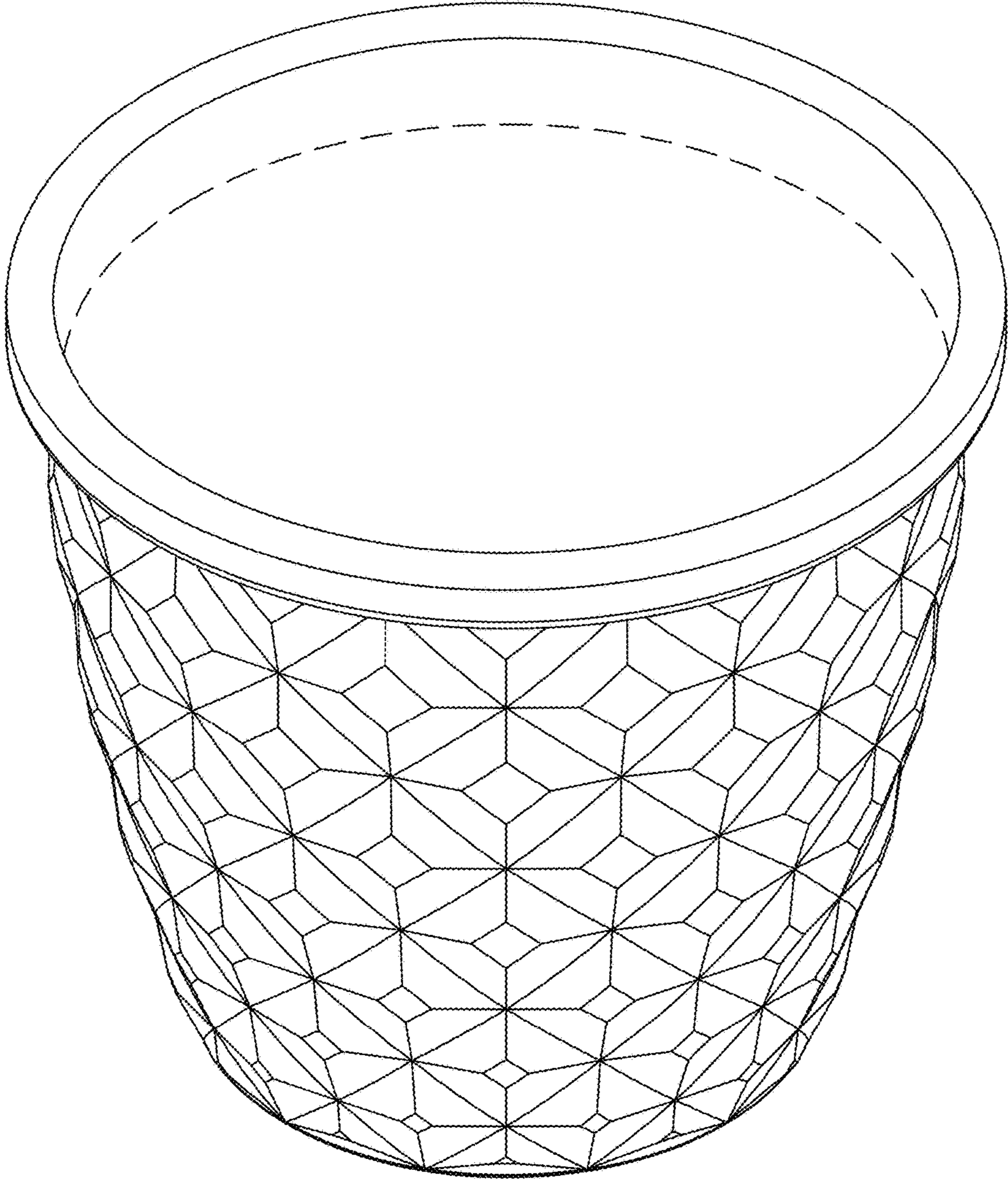


Fig. 1

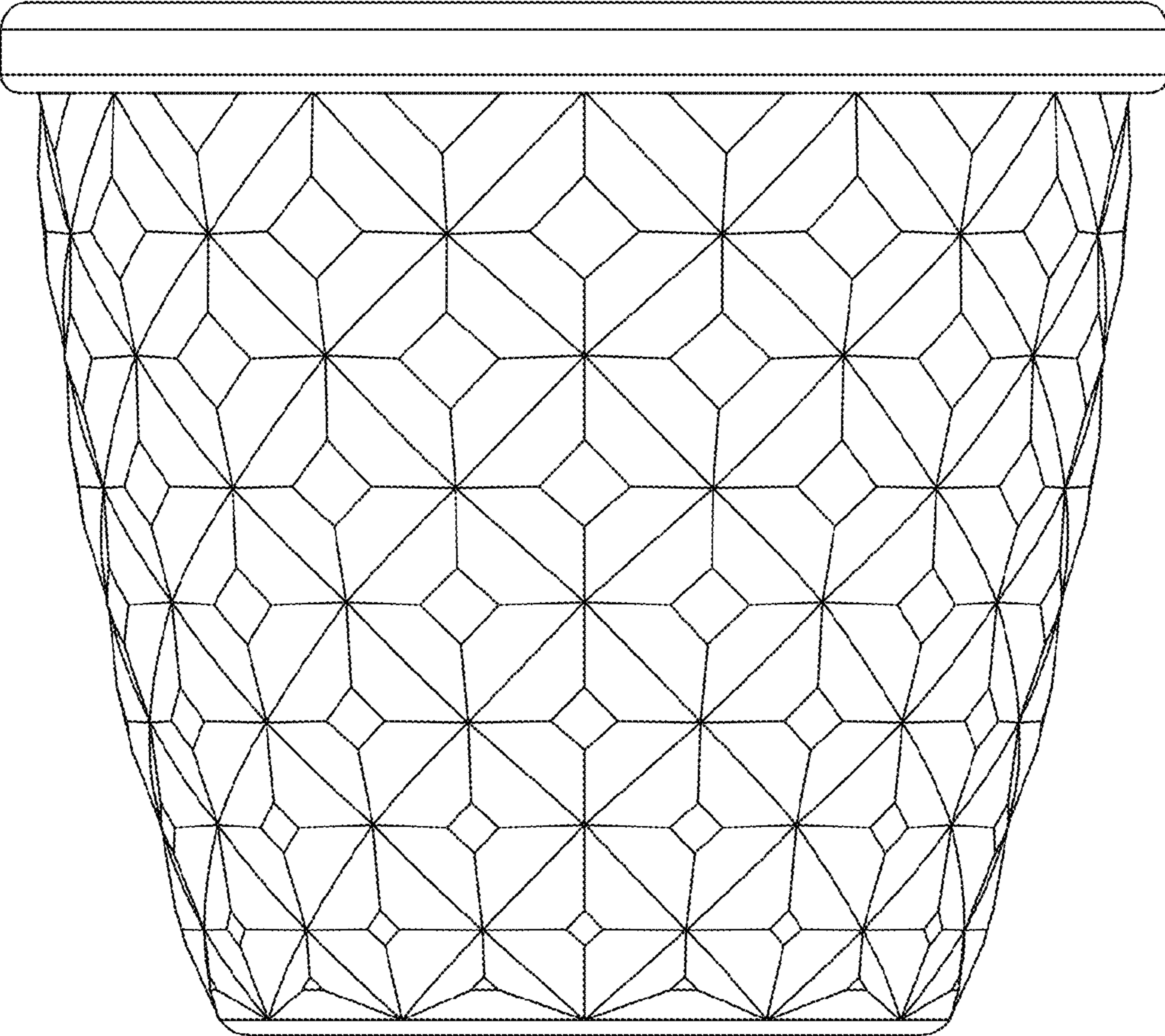


Fig. 2

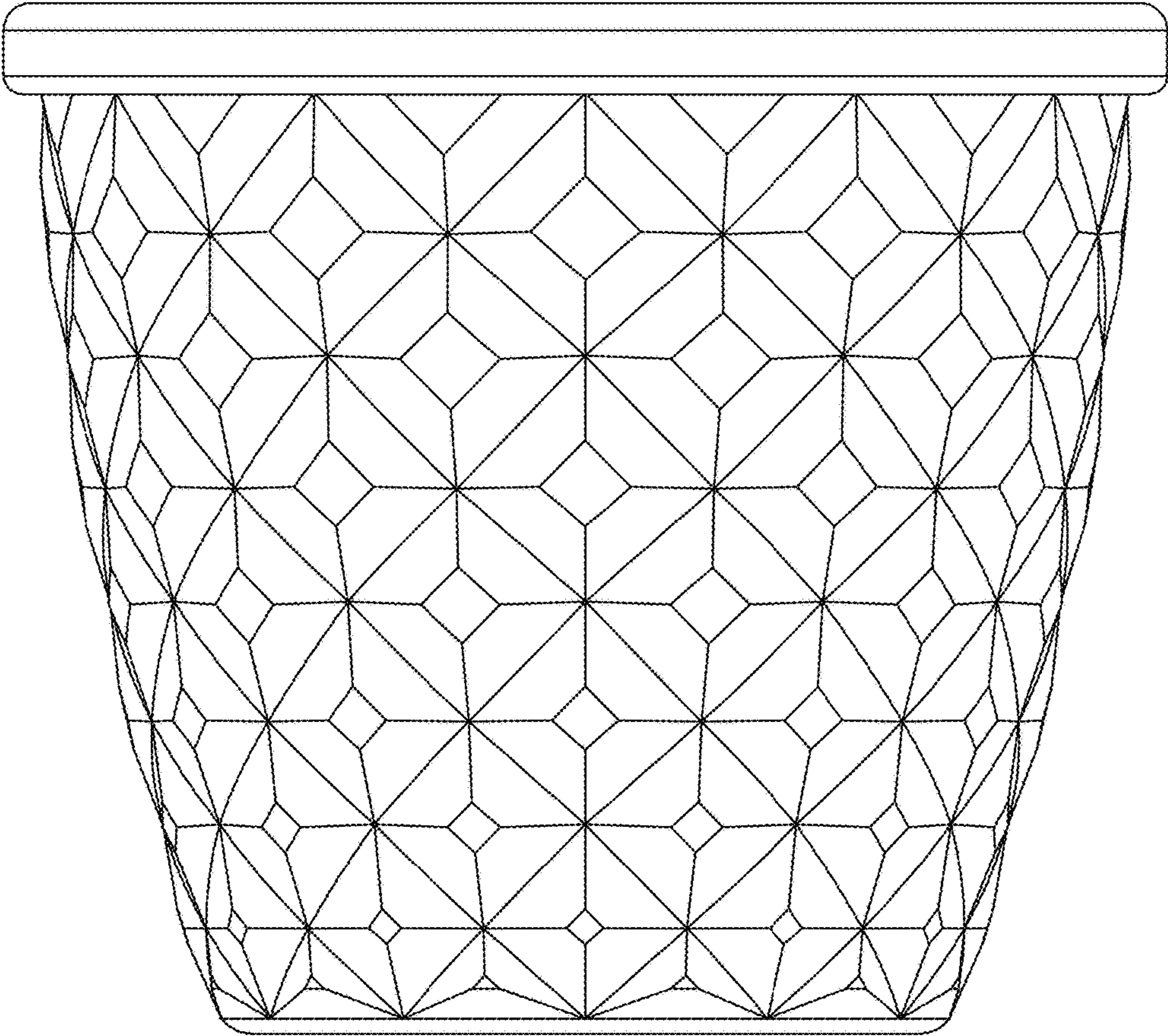


Fig. 3

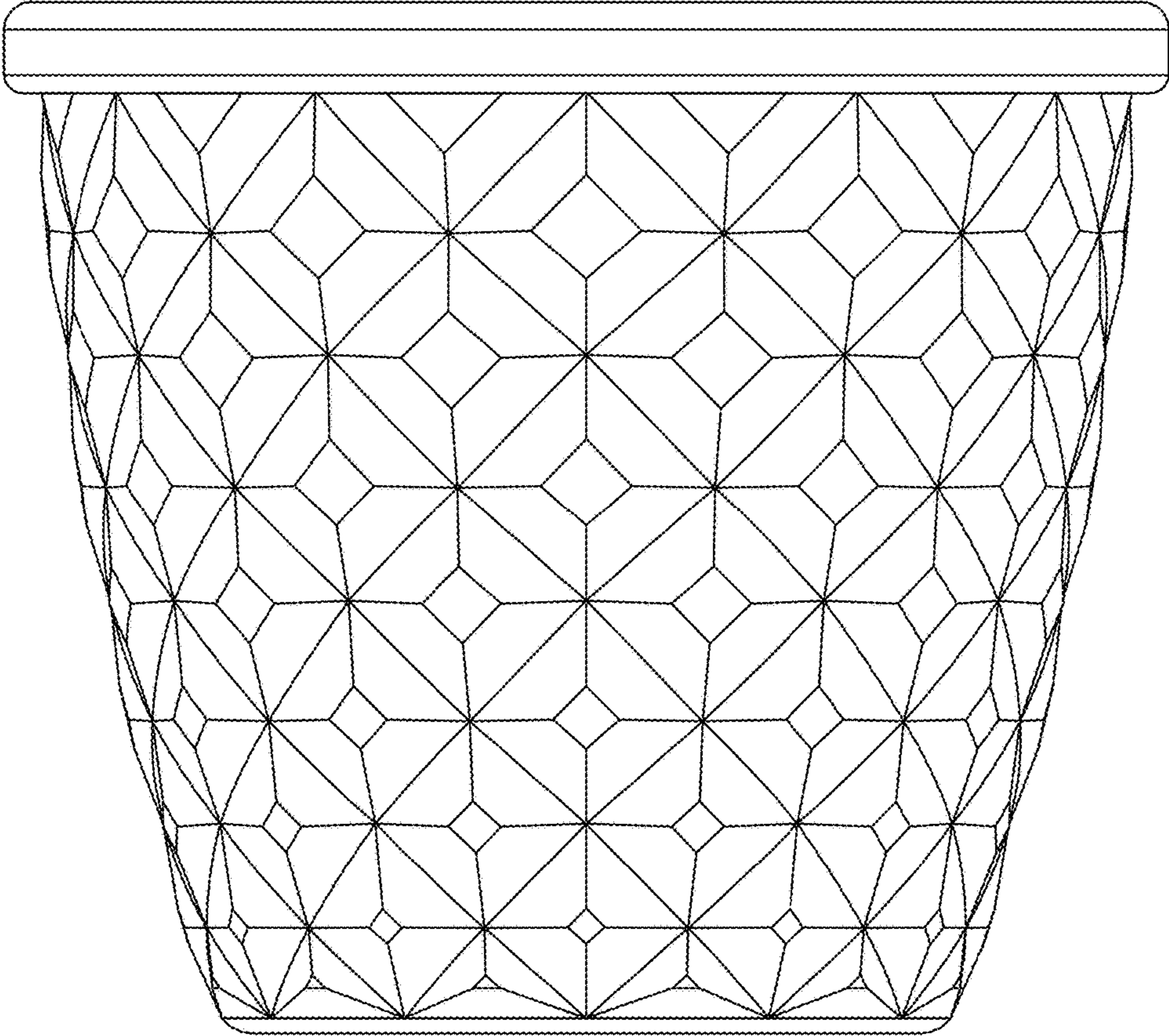


Fig. 4

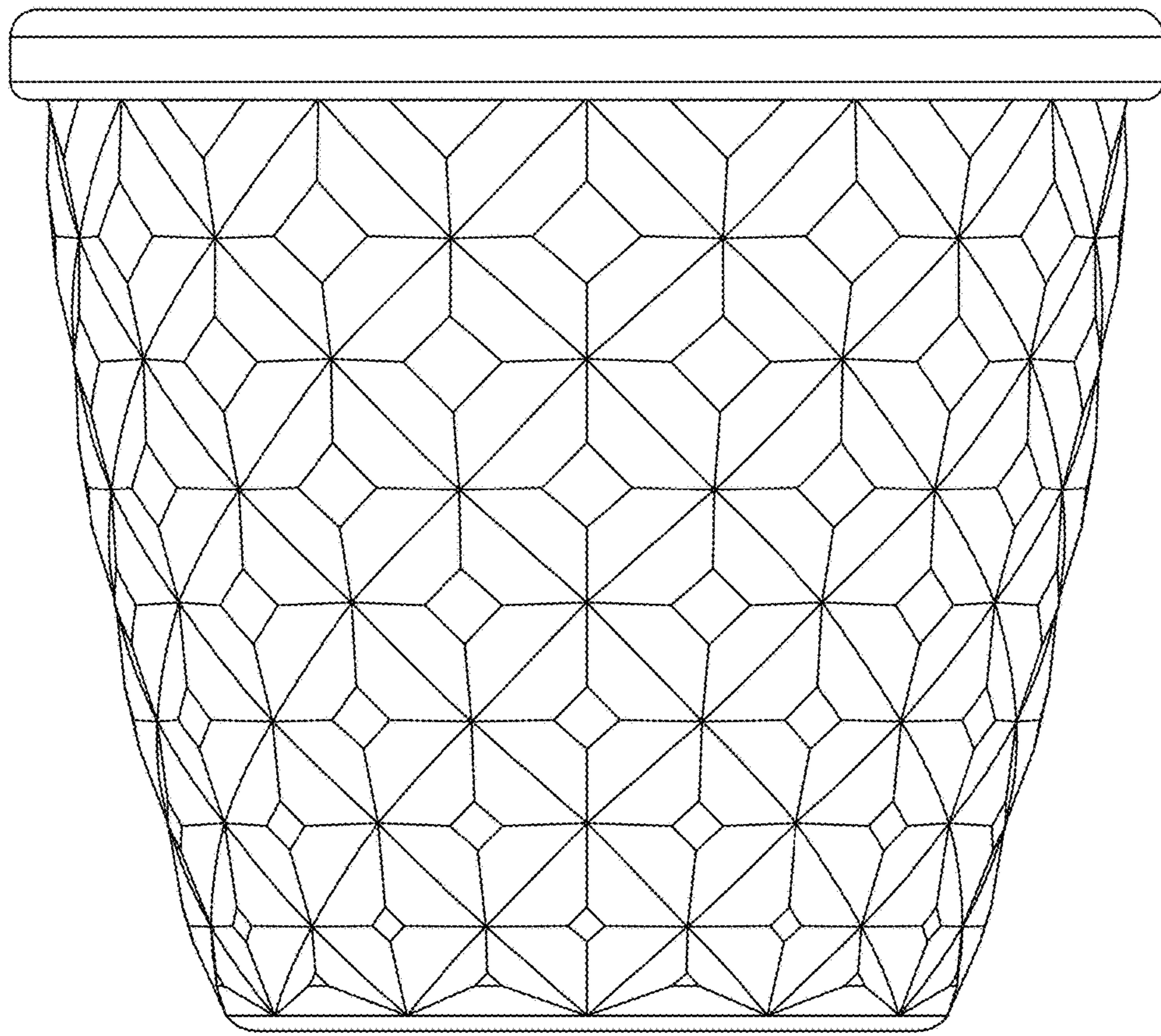


Fig. 5

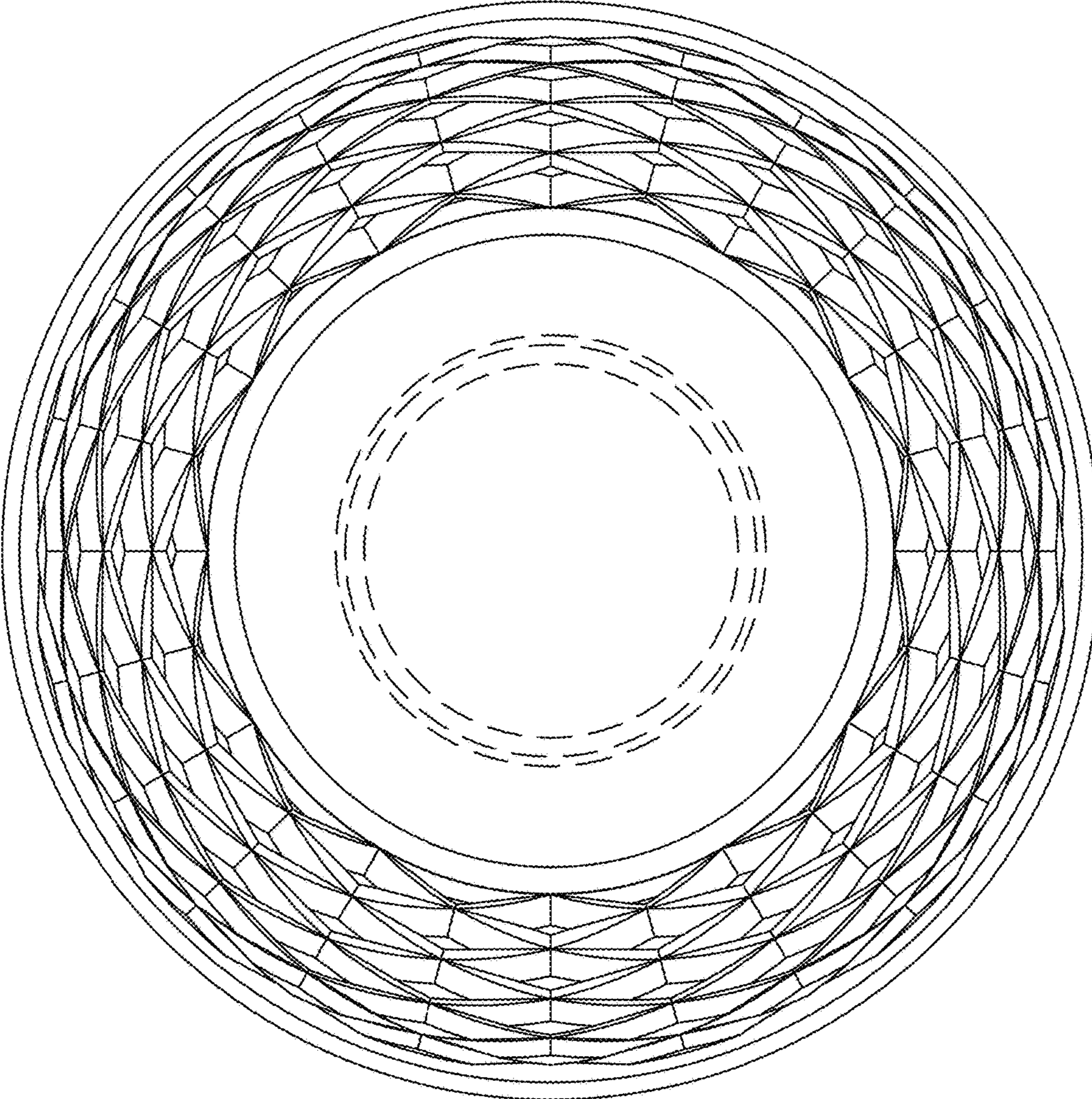


Fig. 6

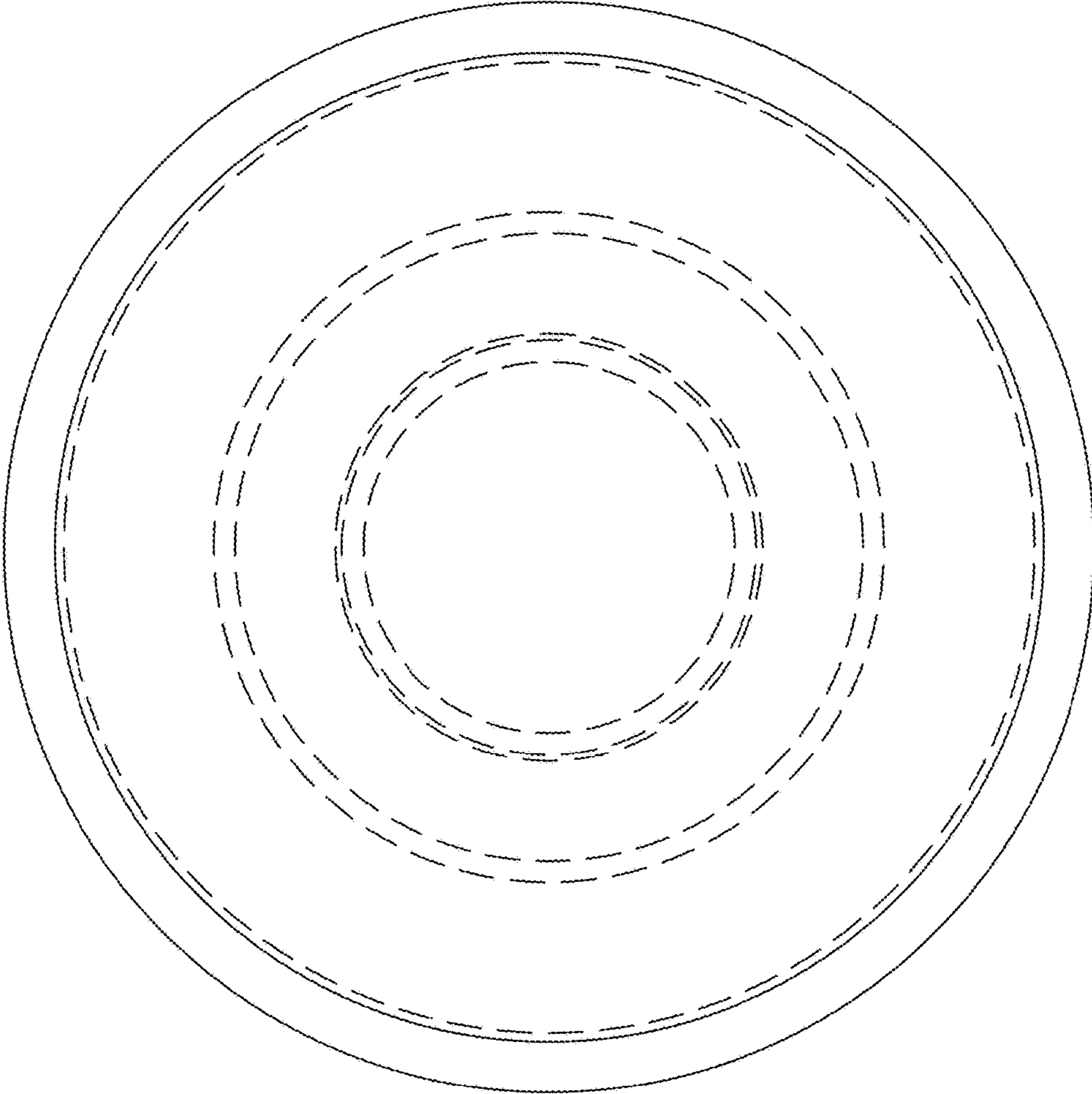


Fig. 7

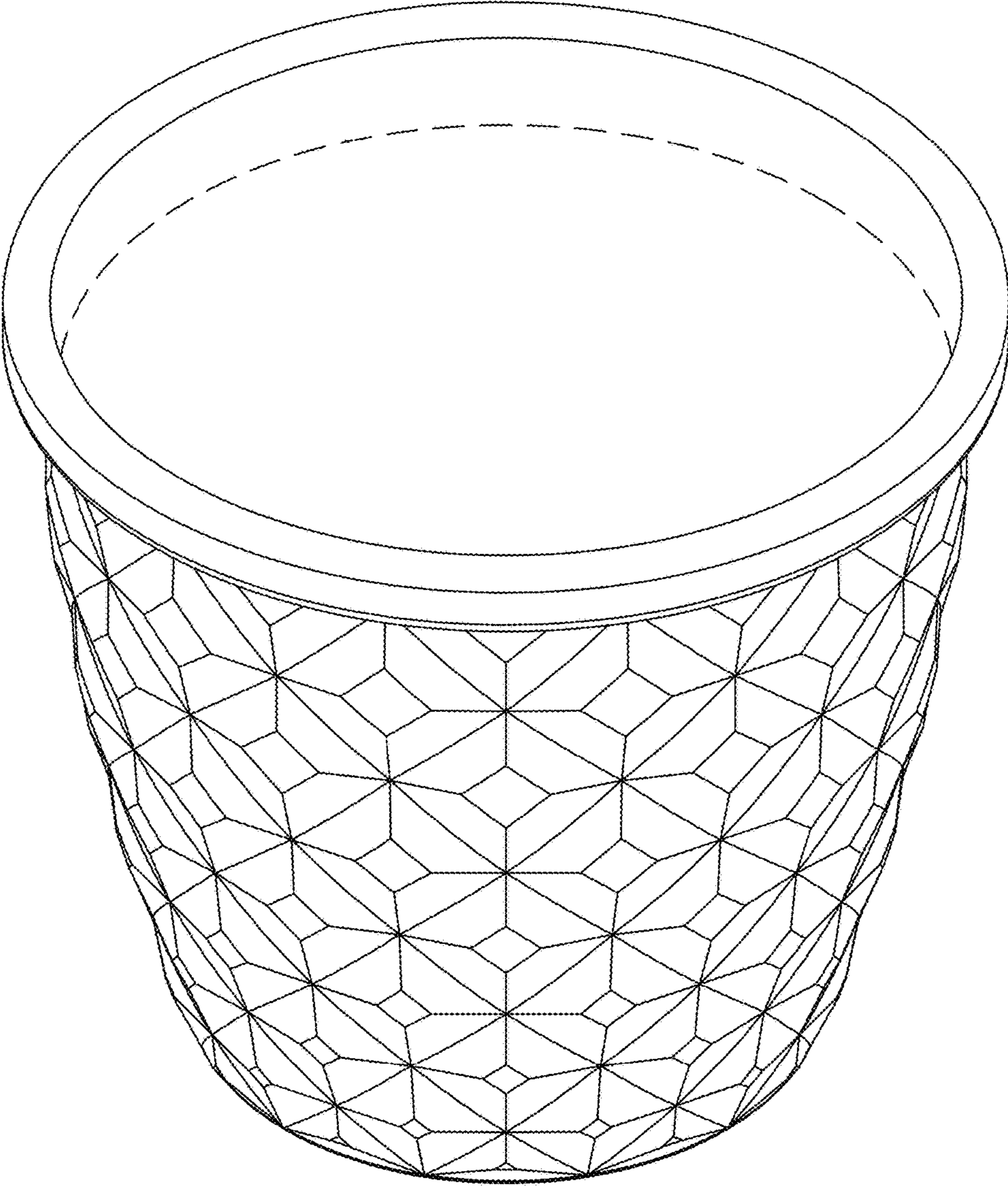


Fig. 8

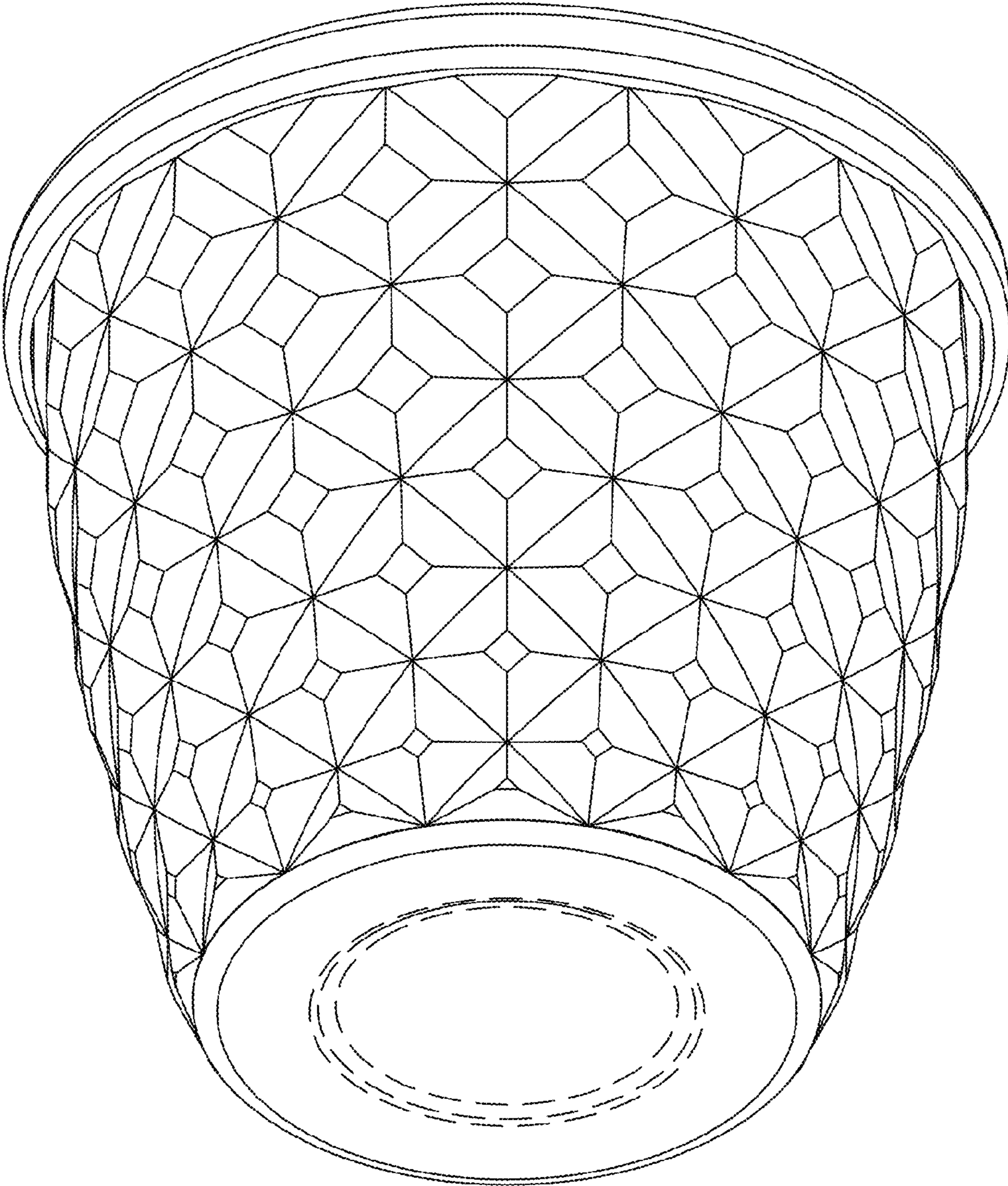


Fig. 9