



US00D830887S

(12) **United States Design Patent**
Akana et al.

(10) **Patent No.:** **US D830,887 S**

(45) **Date of Patent:** **** Oct. 16, 2018**

(54) **WEARABLE DEVICE**

(71) Applicant: **Apple Inc.**, Cupertino, CA (US)

(72) Inventors: **Jody Akana**, San Francisco, CA (US); **Bartley K. Andre**, Palo Alto, CA (US); **Shota Aoyagi**, San Francisco, CA (US); **Anthony Michael Ashcroft**, San Francisco, CA (US); **Jeremy Bataillou**, San Francisco, CA (US); **Daniel J. Coster**, San Francisco, CA (US); **Daniele De Iullis**, San Francisco, CA (US); **M. Evans Hankey**, San Francisco, CA (US); **Julian Hoenig**, San Francisco, CA (US); **Richard P. Howarth**, San Francisco, CA (US); **Jonathan P. Ive**, San Francisco, CA (US); **Duncan Robert Kerr**, San Francisco, CA (US); **Marc A. Newson**, London (GB); **Matthew Dean Rohrbach**, San Francisco, CA (US); **Peter Russell-Clarke**, San Francisco, CA (US); **Benjamin Andrew Shaffer**, San Jose, CA (US); **Mikael Silvano**, San Francisco, CA (US); **Christopher J. Stringer**, Woodside, CA (US); **Eugene Antony Whang**, San Francisco, CA (US); **Rico Zörkendörfer**, San Francisco, CA (US)

(73) Assignee: **Apple Inc.**, Cupertino, CA (US)

(**) Term: **15 Years**

(21) Appl. No.: **29/575,811**

(22) Filed: **Aug. 29, 2016**

Related U.S. Application Data

(63) Continuation of application No. 29/524,423, filed on Apr. 20, 2015, now Pat. No. Des. 764,967, which is a continuation of application No. 29/519,886, filed on Mar. 9, 2015, now Pat. No. Des. 764,346, which is a continuation of application No. 29/498,996, filed on

Aug. 11, 2014, now Pat. No. Des. 731,346, and a continuation of application No. 29/498,995, filed on Aug. 11, 2014, now Pat. No. Des. 724,469, and a continuation of application No. 29/498,994, filed on Aug. 11, 2014, now Pat. No. Des. 727,198, and a continuation of application No. 29/499,042, filed on Aug. 11, 2014, now Pat. No. Des. 728,624.

(51) **LOC (11) Cl.** **11-01**

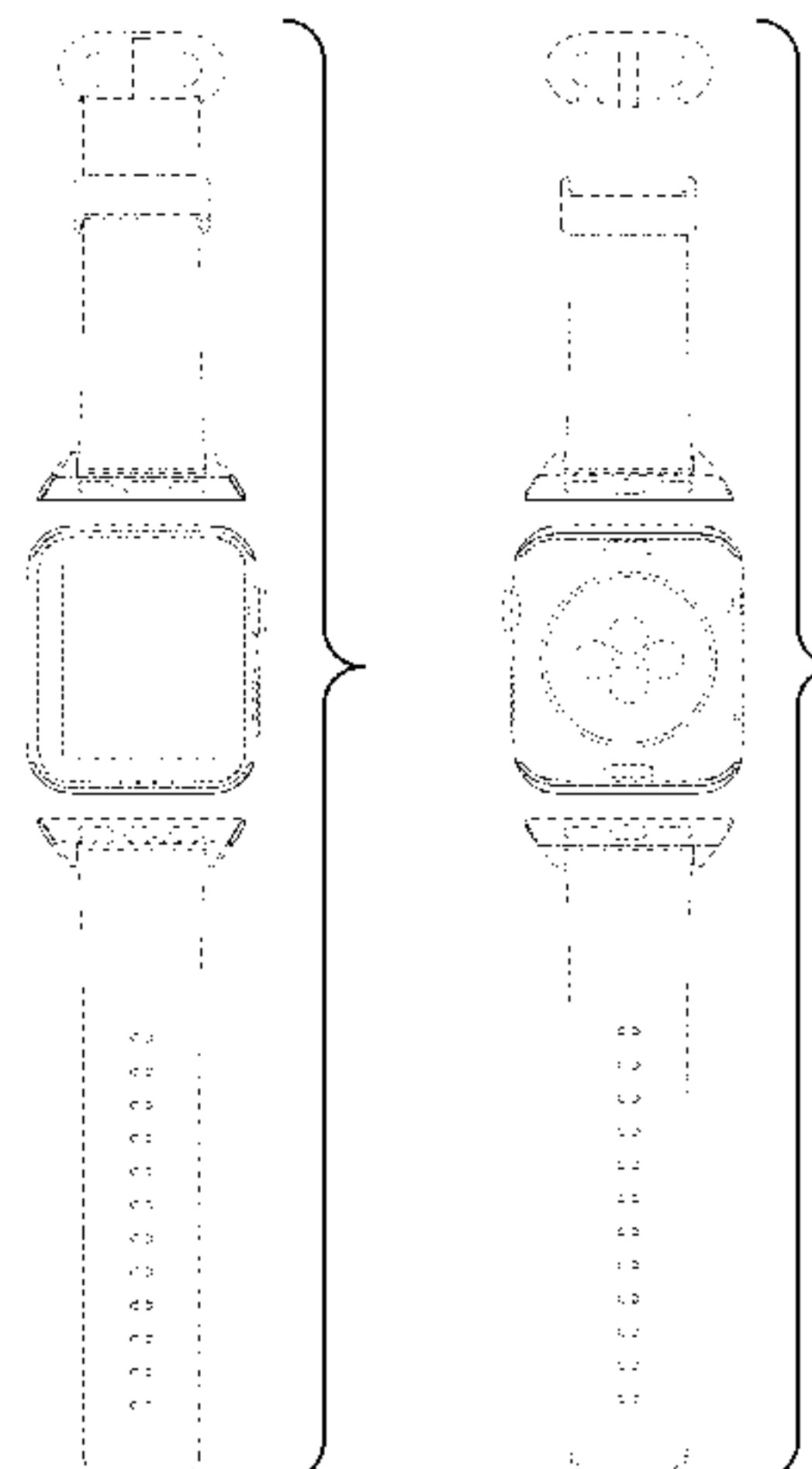
(52) **U.S. Cl.**
USPC **D11/94**

(58) **Field of Classification Search**
USPC D11/1, 25, 32, 93, 94; D10/30-32
CPC A44C 5/02-5/246
See application file for complete search history.

(56) **References Cited**

U.S. PATENT DOCUMENTS

2,163,208	A *	6/1939	Moody	A44C 5/14 224/177
D178,326	S *	7/1956	Sharp	D11/94
3,030,686	A	4/1962	Burkhardt		
3,237,395	A *	3/1966	Bennett	A44C 5/08 224/175
3,609,963	A *	10/1971	Ichinose	A44C 5/24 224/176
3,640,065	A	2/1972	Lederrey et al.		
3,665,565	A	5/1972	Kruger		
3,675,284	A	7/1972	Rieth		
3,965,670	A	6/1976	Ihringer		
D287,471	S	12/1986	Sato et al.		
D305,743	S *	1/1990	Hirsch	D11/94
5,363,351	A	11/1994	Carney		
5,386,933	A	2/1995	Greene et al.		
D372,658	S	8/1996	Decursu et al.		
D382,504	S *	8/1997	Strasser	D11/12
D439,172	S	3/2001	Brzezinski		
D473,818	S	4/2003	Salvisberg		
6,655,831	B1	12/2003	Ruffieux		
D494,098	S	8/2004	Cohen		
D496,589	S	9/2004	Perrenoud		
6,970,157	B2	11/2005	Siddeeq		
D513,195	S	12/2005	Gruosi		
7,004,469	B2	2/2006	Von Goeben		
D528,439	S	9/2006	Burton		
D528,928	S	9/2006	Burton		
7,106,197	B2	9/2006	Gaiotto et al.		
D558,227	S	12/2007	Cho et al.		



D572,266 S	7/2008	Anderson et al.
D574,735 S	8/2008	Landman
D578,922 S	10/2008	Hoshino
D584,170 S	1/2009	Morrison
D586,823 S	2/2009	Anderson
D589,375 S	3/2009	Tang
D596,610 S	7/2009	Hou
D616,417 S	5/2010	Liao
7,708,457 B2	5/2010	Girardin et al.
D637,094 S	5/2011	Cobbett et al.
D637,918 S	5/2011	Cobbett et al.
D650,706 S	12/2011	Zanella et al.
D666,503 S	9/2012	Bulgari
D681,483 S	5/2013	Biegert et al.
8,601,784 B2	12/2013	Kaltenrieder
D699,701 S	2/2014	Kim
D724,103 S	3/2015	Akana et al.
D727,787 S	4/2015	Akana et al.
D728,624 S	5/2015	Akana et al.
D731,346 S	6/2015	Akana et al.
D737,156 S	8/2015	Akana et al.
D737,157 S	8/2015	Akana et al.
D737,158 S	8/2015	Akana et al.
D737,159 S	8/2015	Akana et al.
D741,726 S	10/2015	Akana et al.
D744,356 S	12/2015	Akana et al.
D745,421 S	12/2015	Akana et al.
D746,707 S	1/2016	Akana et al.
D746,868 S	1/2016	Akana et al.
D747,234 S	1/2016	Akana et al.
D748,008 S	1/2016	Akana et al.
D748,009 S	1/2016	Akana et al.
D748,010 S	1/2016	Akana et al.
D748,527 S	2/2016	Akana et al.
D749,450 S	2/2016	Akana et al.
D749,460 S	2/2016	Akana et al.
D749,977 S	2/2016	Akana et al.
D750,524 S	3/2016	Akana et al.
D750,525 S	3/2016	Akana et al.
D751,070 S	3/2016	Akana et al.
D752,044 S	3/2016	Akana et al.
D756,357 S	5/2016	Akana et al.
D758,363 S	6/2016	Akana et al.
D759,011 S	6/2016	Akana et al.
D759,725 S	6/2016	Akana et al.
2010/0061191 A1	3/2010	Chen
2014/0096345 A1	4/2014	Tschumi
2014/0098649 A1	4/2014	Tschumi

FOREIGN PATENT DOCUMENTS

CN	D3184158	4/2001
CN	D3210240	11/2001
CN	D3329483	10/2003
DE	10229050 C1	6/2003
EP	1098231 A1	5/2001
EP	2636328 A1	9/2013
GB	618917 A	3/1949
GB	2082277	6/1999
HK	0501949	12/2005
HK	1001605	12/2010
JP	D1095230	1/2001
JP	D1119440	8/2001
JP	D1127245	11/2001
JP	D1127493	11/2001
JP	D1264904	3/2006
JP	D1281287	9/2006
JP	D1302423	6/2007
JP	D1350052	2/2009
JP	D1368561	8/2009
JP	D1433113	2/2012
JP	D1448195	8/2012
JP	D1462747	2/2013
JP	D1466391	4/2013
JP	D1477307	8/2013
JP	D1503504	7/2014
JP	D1511747	11/2014
JP	D1518040	2/2015
WO	WO-DM/066491-004	3/2005

WO	WO-DM072215	9/2009
WO	WO-DM/077452-004	6/2011
WO	WO-2013182397 A1	12/2013
WO	WO-2014135709 A2	9/2014

OTHER PUBLICATIONS

U.S. Appl. No. 29/499,071, filed Aug. 11, 2014, Akana et al.
 U.S. Appl. No. 29/499,075, filed Aug. 11, 2014, Akana et al.
 U.S. Appl. No. 29/499,081, filed Aug. 11, 2014, Akana et al.
 U.S. Appl. No. 29/499,082, filed Aug. 11, 2014, Akana et al.
 U.S. Appl. No. 29/499,090, filed Aug. 11, 2014, Akana et al.
 U.S. Appl. No. 29/532,117, filed Jul. 1, 2015, Akana et al.
 Alvarez, Edgar, "Basis Peak to get its smartwatch-like features in December," engadget.com, <<http://www.engadget.com/2014/11/20/basis-peak-new-features/>>, dated Nov. 20, 2014, accessed Dec. 15, 2014.
 Cool Material, "Braun Square Digital Watch," <<http://web.archive.org/web/20111125033014/http://coolmaterial.com/style/braun-square-digital-watch/>>, dated Nov. 25, 2011, accessed Dec. 18, 2014.
 Emily, "Nixon—The Newton Digital," <<http://www.freshnessmag.com/2009/09/08/nixon-the-newton-digital/>>, freshnessmag.com, dated Sep. 8, 2009, accessed Oct. 9, 2014.
 etsy.com, "1 Set Silver End Cap Clasp—Findings Large Toggle Clasp End Caps Buckle Connector with Five Inside Loops for Jewelry Making 26mm," <<http://www.etsy.com/listing/101269004/1-set-silver-end-cap-clasp-findings?ref=market>>, Listed on Aug. 29, 2014, accessed Oct. 9, 2014.
 Fitbit, "Fitbit Surge™ Fitness Super Watch" <<https://www.fitbit.com/surge>>, accessed Dec. 15, 2014.
 geekbuying.com, "Makibes unisex red led digital wrist watch with square case silicone watchband—white," <<http://www.geekbuying.com/item/Unisex-Red-LED-Digital-Wrist-Watch-with-Square-Case-Silicone-Watchband---White-326443.html>>, accessed Oct. 9, 2014.
 Hodinkee.com, "Apple iPod Nano Now Available With Mickey Mouse Dial, Also Cheesy, Mechanically Inaccurate Open-Worked Dial," <<http://web.archive.org/web/20111006043916/http://www.hodinkee.com/blog/2011/10/5/apple-ipod-nano-now-available-with-mickey-mouse-dial-also-ch.html>>, dated Oct. 6, 2011, accessed Dec. 18, 2014.
 HOMETO, "M6 Silver Smart Watch Cell Phone 1.54 inch Bluetooth 3.0 Dialer Outdoor Sports Pedometer," amazon.com, <<http://www.amazon.com/Silver-Bluetooth-Dialer-Outdoor-Pedometer/dp/B00MQTBGK6>>, accessed Dec. 15, 2014.
 Ikepod, "Original Ikepod Watch With GMT—Marc Newson Design," Watchbox.be, <<http://www.watchbox.be/prod/Others-Watches/Marc%20Newson%20Design/item7165.htm#.VJLm2fAo5D8>>, accessed Dec. 17, 2014.
 LG Life's Good, "LG G Watch (W100)," <<http://www.lg.com/us/smart-watches/lg-W100-g-watch>>, accessed Dec. 18, 2014.
 Metawatch, "Frame—Black (MW3005)," <<http://meta.watch/collections/smartwatch-all/products/frame-ss-black-leather>>, accessed Dec. 15, 2014.
 OMATE, "Omate TrueSmart: Water-resistant standalone Smartwatch 2.0," <<http://www.kickstarter.com/projects/omate/omate-truesmart-water-resistant-standalone-smartwa>>, dated Aug. 21, 2013, accessed Oct. 8, 2014.
 Omate, "The TrueSmart™ is the world's first standalone smartwatch 2.0 running on top of Android and OUI 2.0," <<http://www.omate.com/product.html>>, accessed Dec. 15, 2014.
 Pebble, "Pebble Smartwatch," getpebble.com, <<https://getpebble.com/checkout>>, accessed Dec. 15, 2014.
 Samsung, "Samsung Gear™ 2 Charcoal Black SM-R3800VSAXAR," <<http://www.samsung.com/us/mobile/wearable-tech/SM-R3800VSAXAR>>, accessed Dec. 15, 2014.
 Samsung, "Samsung Gear S™, (Sprint), Black SM-R750PZKASPR," <<http://www.samsung.com/us/mobile/wearable-tech/SM-R750PZKASPR>>, accessed Dec. 15, 2014.
 Samsung, "Galaxy Gear™ Live, Black SM-R3820ZKAXAR," <<http://www.samsung.com/us/mobile/wearable-tech/SM-R3820ZKAXAR>>, accessed Dec. 15, 2014.

Sony, “SmartWatch,” <<http://www.sonymobile.com/us/products/accessories/smartwatch/>>, accessed Dec. 15, 2014.

Sony, “SmartWatch 3 SWR50,” <<http://www.sonymobile.com/us/products/smartwear/smartwatch-3-swr50/>>, accessed Dec. 15, 2014.

Stables, James, “Clevercare smartwatch aims to help Alzheimer’s suffers and carers: Revamped Sony SmartWatch 2 designed for users that need care,” Wearable News, <<http://www.wearable.com/wearable-tech/clevercare-smartwatch-aims-to-help-alzheimers-suffers-and-carers-585>>, dated Dec. 15, 2014.

Team Luxe, “Collectors Edition: Hermes Carre H Watch,” Luxpresso, <<http://luxpresso.com/news-couture/collectors-edition-hermes-carre-h-watch/2814>>, dated Jan. 10, 2011, accessed Dec. 18, 2014.

Ted Baker, “Ted Baker Men’s TE1054 Time Flies Contemporary Square Digital Case Watch,” <<http://www.amazon.com/Ted-Baker-TE1054-Contemporary-Digital/dp/B0045CRTYO%3FSubscriptionId%3DAKIAJ3U4YRIBWCGGKZ2MA%26tag%3Dfrases365-20%26linkCode%3Dsp1%26camp%3D2025%26creative%3D165953%26creativeASIN%3DB0045CRTYO>>, accessed Oct. 9, 2014.

Velazco, Chris, “ASUS ZenWatch review: subtle and stylish, with a few shortcomings,” Engadget.com, <<http://www.engadget.com/2014/12/11/asus-zenwatch-review/>>, dated Dec. 11, 2014, accessed Dec. 15, 2014.

Watches Infoniac.com, “Hermes Carre H Watch—Extremely Contemporary Design,” <<http://watches.infoniac.com/carre-h-watch-hermes.html>>, dated Aug. 13, 2010, accessed Dec. 18, 2014.

Watchismo, “Braun BN0042 Black Date Leather,” <<http://web.archive.org/web/20130815073830/http://www.watchismo.com/braun-bn0042bkbk.aspx>>, dated Aug. 15, 2013, accessed Dec. 18, 2014.

“Louis Moinet Geograph,” posted at worldwatchreview.com, dated Mar. 14, 2011. Available from Internet: <<http://www.worldwatchreview.com/2011/03/14/louis-moinet-geograph-limited-edition/>>. Retrieved Oct. 10, 2017.

“Innovative Components Knurled Knob K4 Master,” posted at knobsource.com/catalog_prints.html, Posting date unknown, Drawing dated Nov. 27, 2007. Available from Internet: <<http://www.knobsource.com/pdf/k4-master-rev-0.pdf>>. Retrieved Oct. 10, 2017.

* cited by examiner

Primary Examiner — Zenia I Bennett

(74) *Attorney, Agent, or Firm* — Sterne, Kessler, Goldstein & Fox P.L.L.C.

(57)

CLAIM

The ornamental design for a wearable device, as shown and described.

DESCRIPTION

FIG. 1 is an exploded front view of a wearable device showing the claimed design;

FIG. 2 is a rear view thereof;

FIG. 3 is a right side view thereof;

FIG. 4 is a left side view thereof;

FIG. 5 is a top view thereof; and,

FIG. 6 is a bottom view thereof.

The broken lines in the figures show portions of the wearable device that form no part of the claimed design.

The dot-dash lines in the figures show boundaries that form no part of the claimed design.

1 Claim, 4 Drawing Sheets

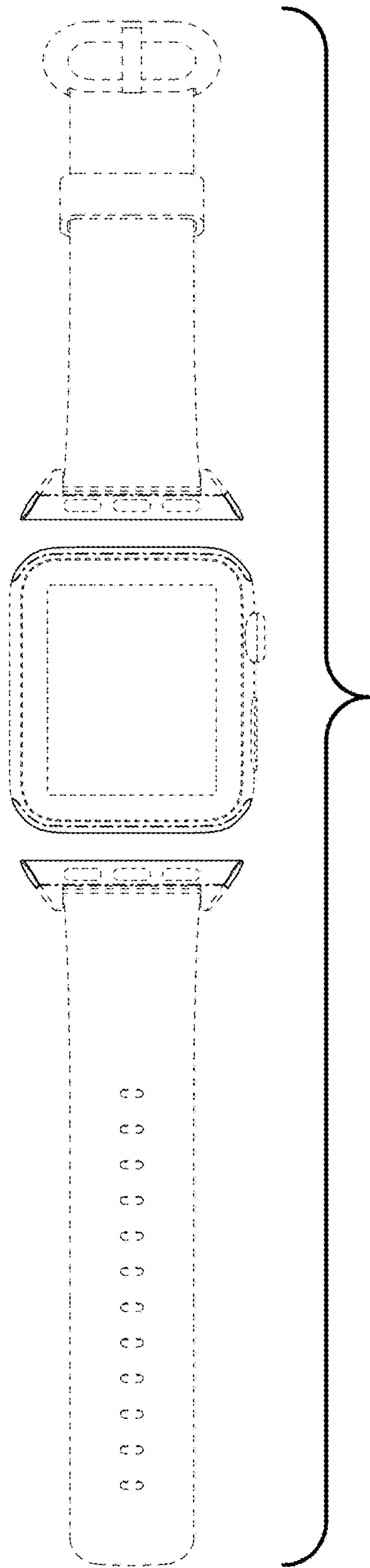


FIG. 1

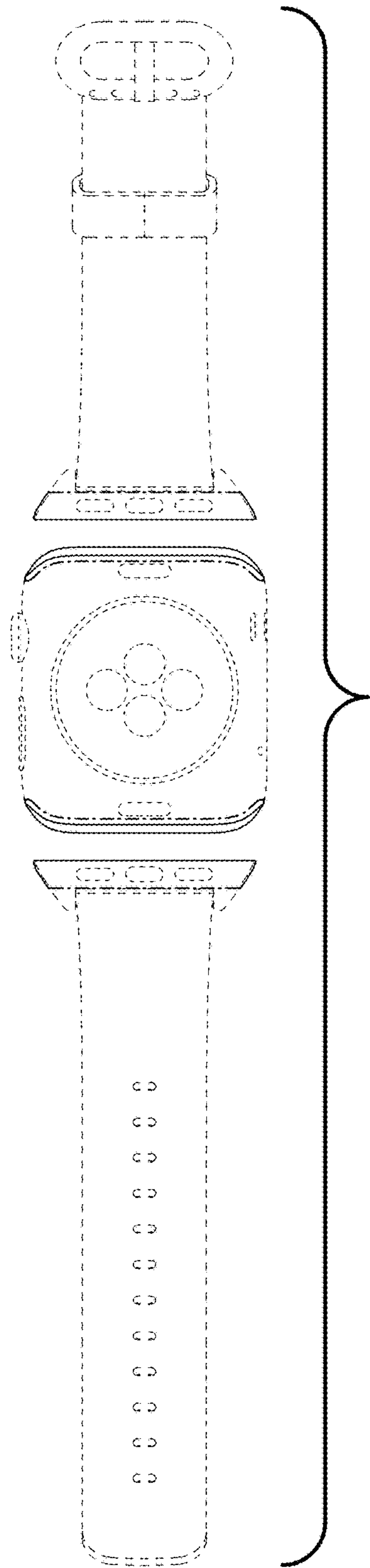


FIG. 2

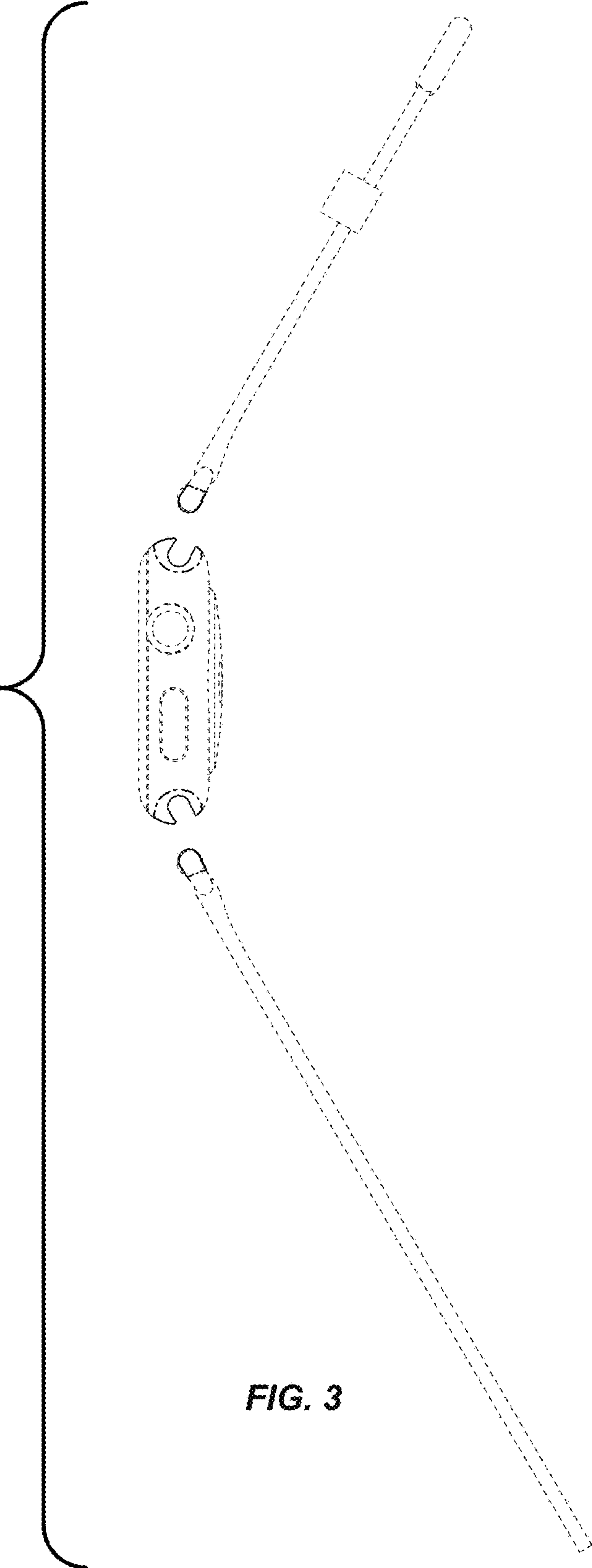
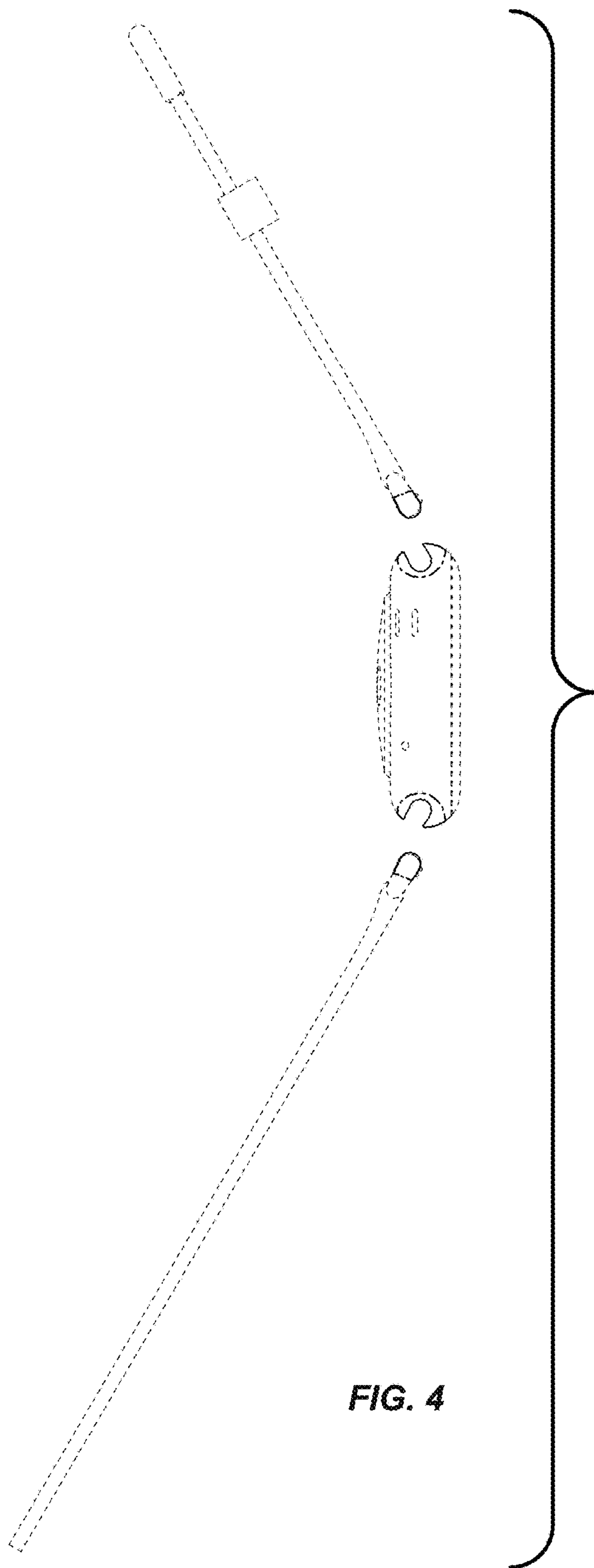


FIG. 3



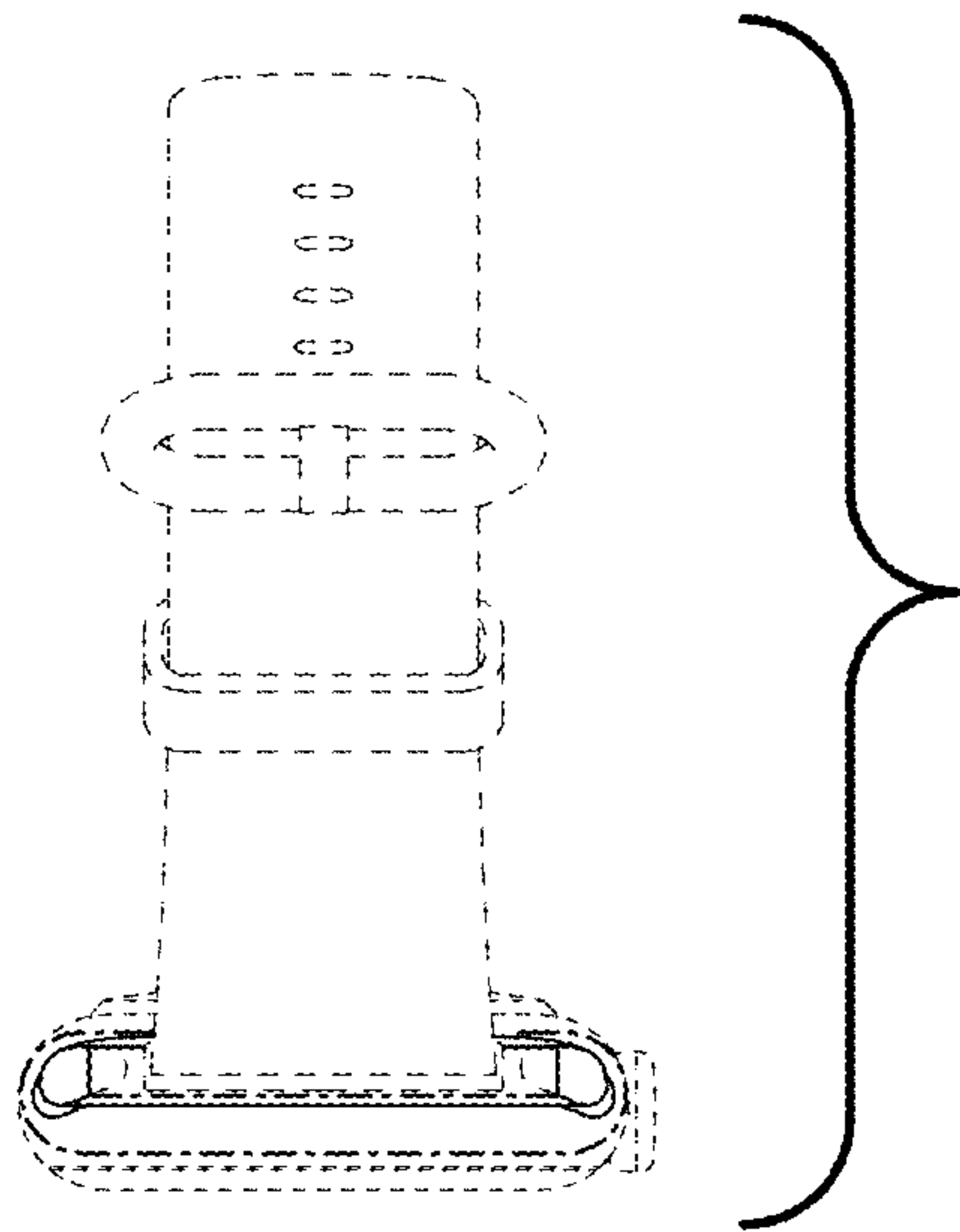


FIG. 5

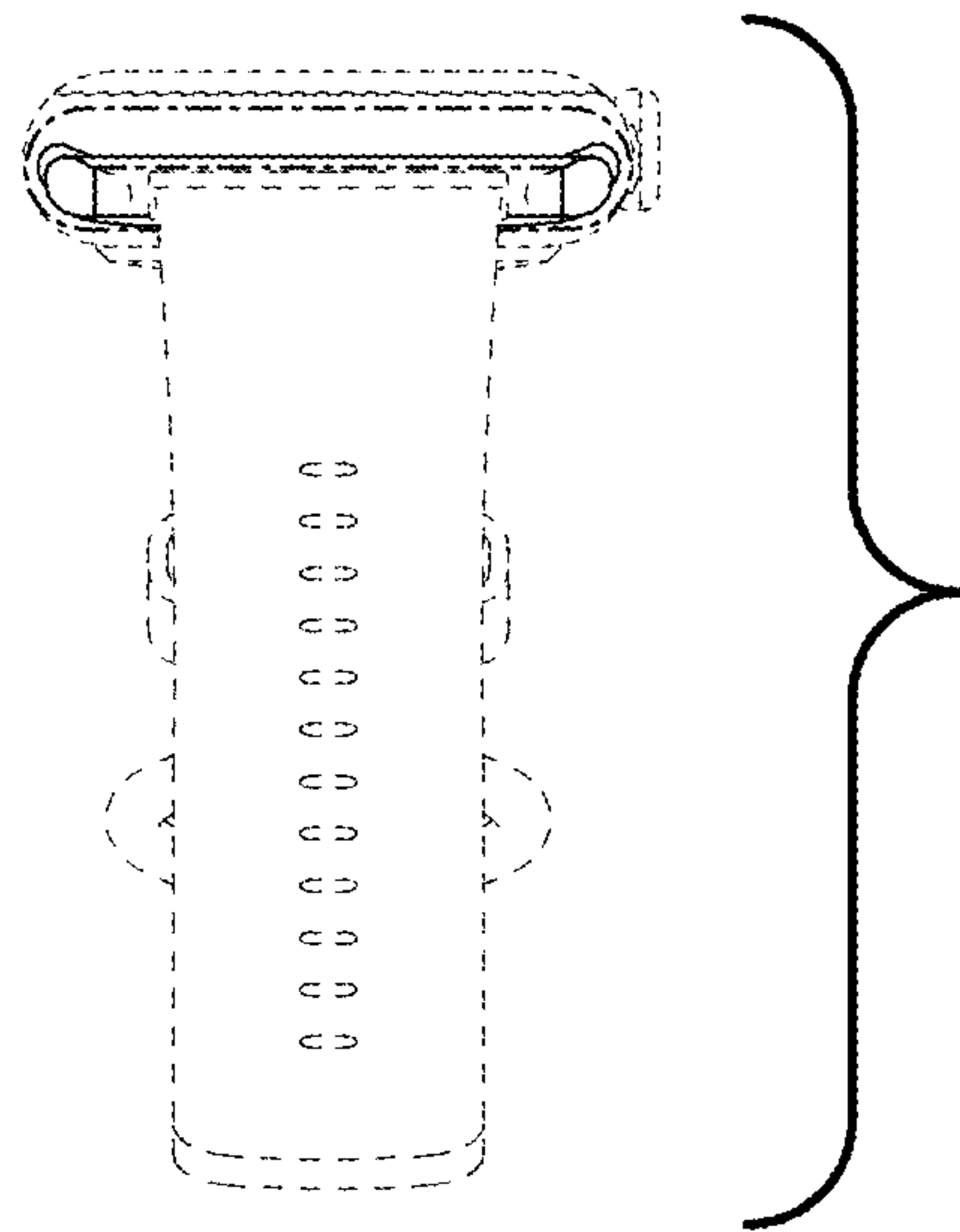


FIG. 6