



US00D830885S

(12) **United States Design Patent** (10) **Patent No.:** **US D830,885 S**  
**Akana et al.** (45) **Date of Patent:** **\*\* Oct. 16, 2018**

(54) **BAND ATTACHMENT**

(71) Applicant: **Apple Inc.**, Cupertino, CA (US)

(72) Inventors: **Jody Akana**, San Francisco, CA (US); **Bartley K. Andre**, Palo Alto, CA (US); **Shota Aoyagi**, San Francisco, CA (US); **Anthony Michael Ashcroft**, San Francisco, CA (US); **Jeremy Bataillou**, San Francisco, CA (US); **Daniel J. Coster**, San Francisco, CA (US); **Daniele De Iuliis**, San Francisco, CA (US); **M. Evans Hankey**, San Francisco, CA (US); **Julian Hoenig**, San Francisco, CA (US); **Richard P. Howarth**, San Francisco, CA (US); **Jonathan P. Ive**, San Francisco, CA (US); **Duncan Robert Kerr**, San Francisco, CA (US); **Marc A. Newson**, London (GB); **Matthew Dean Rohrbach**, San Francisco, CA (US); **Peter Russell-Clarke**, San Francisco, CA (US); **Benjamin Andrew Shaffer**, San Jose, CA (US); **Mikael Silvanto**, San Francisco, CA (US); **Christopher J. Stringer**, Woodside, CA (US); **Eugene Antony Whang**, San Francisco, CA (US); **Rico Zörkendörfer**, San Francisco, CA (US)

(73) Assignee: **Apple Inc.**, Cupertino, CA (US)

(\*\*) Term: **15 Years**

(21) Appl. No.: **29/563,408**

(22) Filed: **May 4, 2016**

**Related U.S. Application Data**

(63) Continuation of application No. 29/519,400, filed on Mar. 4, 2015, now Pat. No. Des. 762,515, which is a (Continued)

(51) **LOC (11) Cl.** ..... **11-01**

(52) **U.S. Cl.**  
USPC ..... **D11/94**

(58) **Field of Classification Search**  
USPC ..... D11/1, 25, 32, 93, 94; D10/30-32  
(Continued)

(56) **References Cited**

**U.S. PATENT DOCUMENTS**

2,163,208 A \* 6/1939 Moody ..... A44C 5/14  
224/177  
D178,326 S \* 7/1956 Sharp ..... D11/94  
(Continued)

**FOREIGN PATENT DOCUMENTS**

EP 2636328 A1 9/2013  
GB 618917 A 3/1949  
(Continued)

**OTHER PUBLICATIONS**

U.S. Appl. No. 29/499,081, filed Aug. 11, 2014; Akana et al.  
(Continued)

*Primary Examiner* — Zenia I Bennett  
(74) *Attorney, Agent, or Firm* — Sterne, Kessler, Goldstein & Fox P.L.L.C.

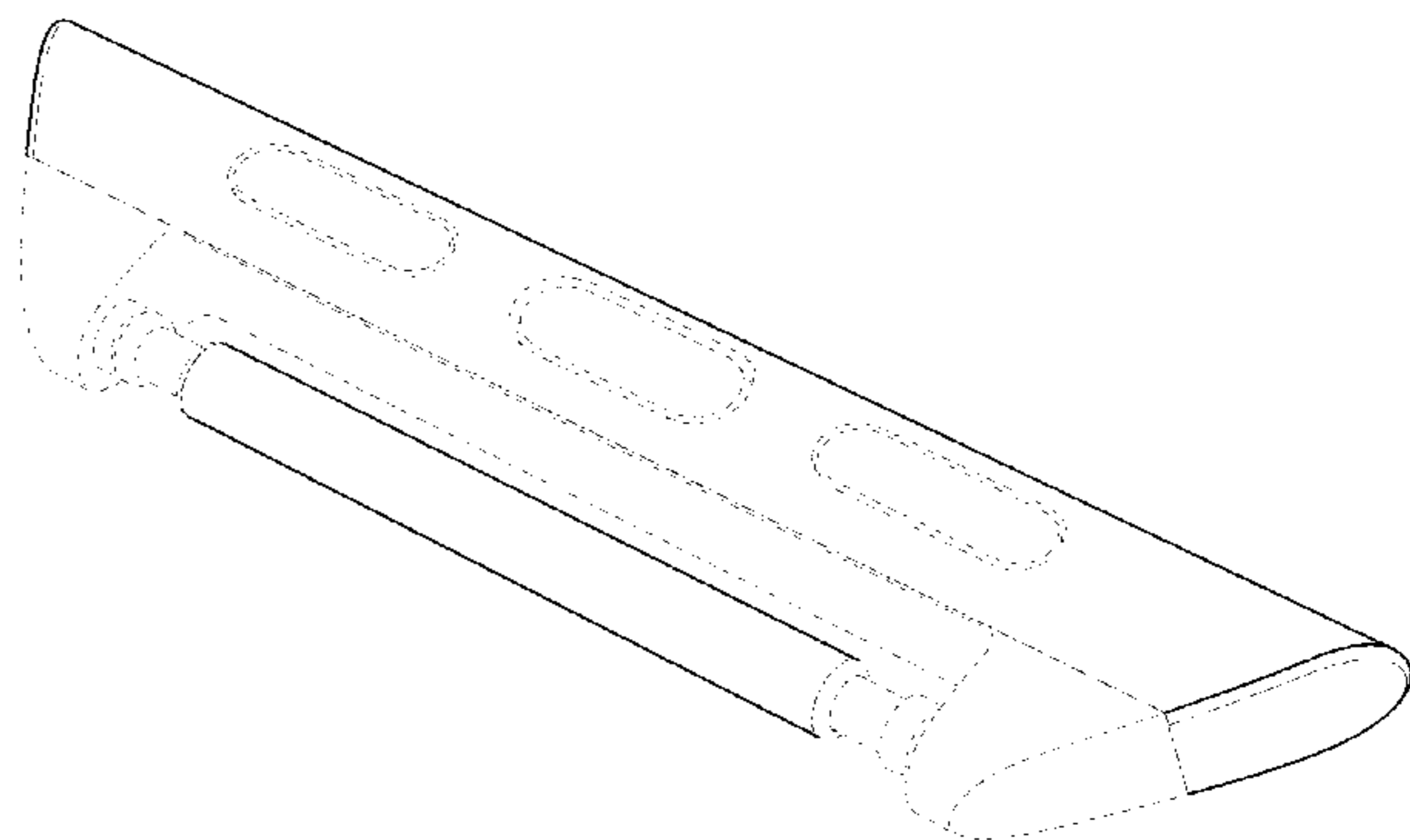
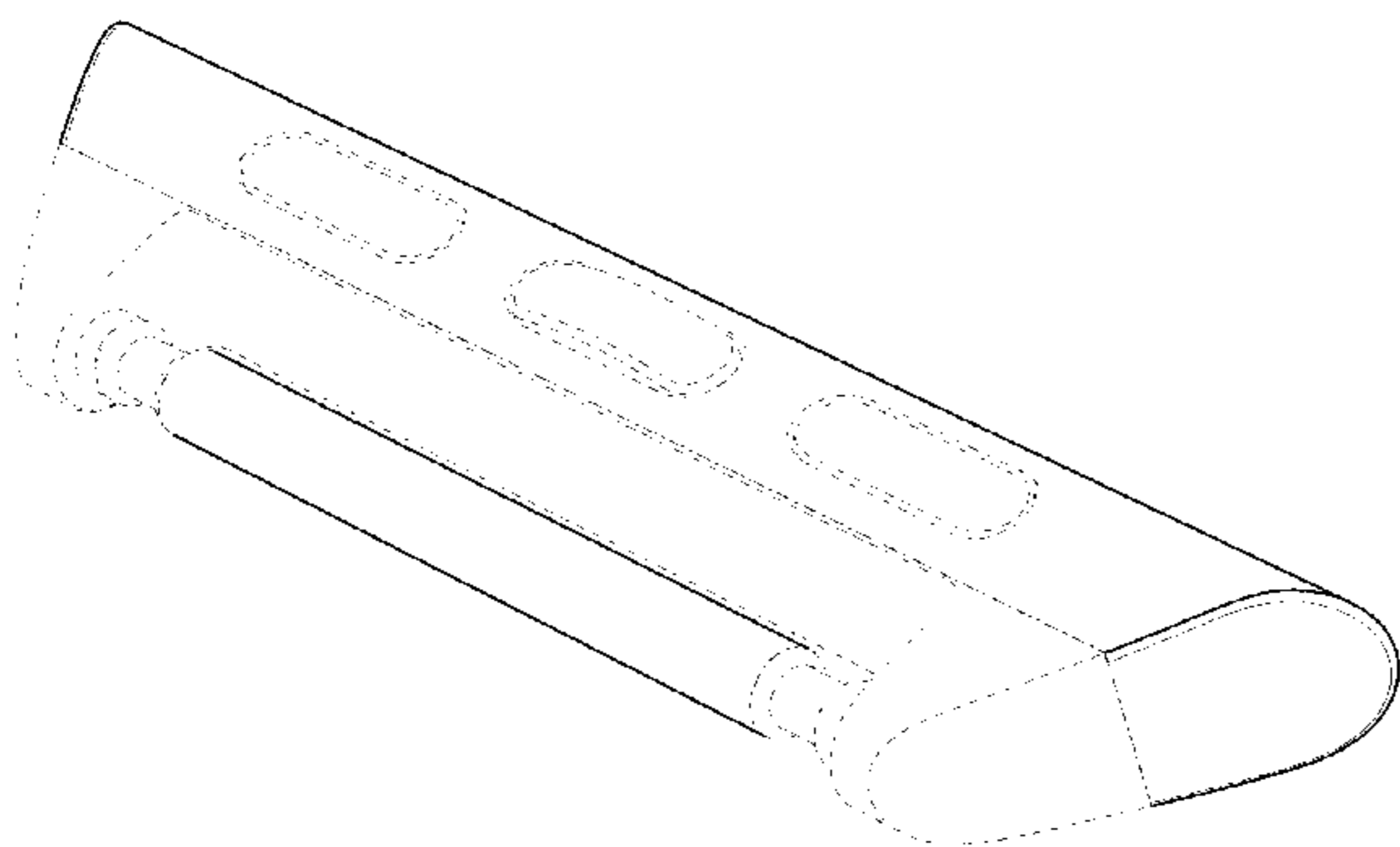
(57) **CLAIM**

The ornamental design for a band attachment, as shown and described.

**DESCRIPTION**

FIG. 1 is a bottom front perspective view of a band attachment showing our new design;  
FIG. 2 is a bottom rear perspective view thereof;  
FIG. 3 is a front view thereof;  
FIG. 4 is a rear view thereof;  
FIG. 5 is a left side view thereof;  
FIG. 6 is a right side view thereof;  
FIG. 7 is a bottom view thereof; and,  
FIG. 8 is a top view thereof.

(Continued)



The dashed broken lines in the Figures show portions of the band attachment that form no part of the claimed design. The dot-dash broken lines in the Figures show boundaries that form no part of the claimed design.

**1 Claim, 4 Drawing Sheets**

**Related U.S. Application Data**

continuation of application No. 29/501,763, filed on Sep. 8, 2014, now Pat. No. Des. 727,787, which is a continuation of application No. 29/498,987, filed on Aug. 11, 2014, now Pat. No. Des. 749,460.

(58) **Field of Classification Search**

CPC ..... A44C 5/02–5/246  
See application file for complete search history.

(56) **References Cited**

U.S. PATENT DOCUMENTS

3,030,686	A	4/1962	Burkhardt	
3,237,395	A *	3/1966	Bennett .....	A44C 5/08 224/175
3,609,963	A *	10/1971	Ichinose .....	A44C 5/24 224/176
3,665,565	A	5/1972	Kruger	
3,675,284	A	7/1972	Rieth	
3,965,670	A	6/1976	Ihringer	
D305,743	S *	1/1990	Hirsch .....	D11/94
5,363,351	A	11/1994	Carney	
D382,504	S *	8/1997	Strasser .....	D11/12
6,101,842	A	8/2000	Delacretaz	
D473,818	S	4/2003	Salvisberg	
D494,098	S	8/2004	Cohen	
D643,772	S	8/2011	Mikkelsen	
8,601,784	B2	12/2013	Kaltenrieder	
D724,469	S	3/2015	Akana et al.	
D727,197	S	4/2015	Akana et al.	
D727,198	S	4/2015	Akana et al.	
D727,199	S	4/2015	Akana et al.	
D727,787	S	4/2015	Akana et al.	
D731,346	S	6/2015	Akana et al.	

D735,588	S	8/2015	Shimunov
D737,156	S	8/2015	Akana et al.
D737,157	S	8/2015	Akana et al.
D737,158	S	8/2015	Akana et al.
D737,159	S	8/2015	Akana et al.
D739,780	S	9/2015	Akana et al.
D744,356	S	12/2015	Akana et al.
D745,421	S	12/2015	Akana et al.
D746,707	S	1/2016	Akana et al.
D747,234	S	1/2016	Akana et al.
D748,008	S	1/2016	Akana et al.
D748,009	S	1/2016	Akana et al.
D748,010	S	1/2016	Akana et al.
D748,527	S	2/2016	Akana et al.
D749,009	S	2/2016	Akana et al.
D749,450	S	2/2016	Akana et al.
D749,460	S	2/2016	Akana et al.
D749,977	S	2/2016	Akana et al.
D750,524	S	3/2016	Akana et al.
D750,525	S	3/2016	Akana et al.
D751,070	S	3/2016	Akana et al.
2007/0070823	A1	3/2007	Sima
2007/0125123	A1	6/2007	Sierro
2012/0312052	A1	12/2012	Yliluoma
2014/0096345	A1	4/2014	Tschumi
2014/0098649	A1	4/2014	Tschumi

FOREIGN PATENT DOCUMENTS

GB	2082277	6/1999
WO	WO-2013182397 A1	12/2013

OTHER PUBLICATIONS

U.S. Appl. No. 29/499,082, filed Aug. 11, 2014; Akana et al.  
 U.S. Appl. No. 29/499,090, filed Aug. 11, 2014; Akana et al.  
 U.S. Appl. No. 29/501,152, filed Sep. 2, 2014; Akana et al.  
 U.S. Appl. No. 29/501,624, filed Sep. 5, 2014; Akana et al.  
 U.S. Appl. No. 29/501,737, filed Sep. 8, 2014; Akana et al.  
 U.S. Appl. No. 29/501,772, filed Sep. 8, 2014; Akana et al.  
 U.S. Appl. No. 29/532,117, filed Jul. 1, 2015; Akana et al.  
 etsy.com, "1 Set Silver End Cap Clasp—Findings Large Toggle Clasp End Caps Buckle Connector with Five Inside Loops for Jewelry Making 26mm," <<http://www.etsy.com/listing/101269004/1-set-silver-end-cap-clasp-findings?ref=market>>, Listed on Aug. 29, 2014, accessed Oct. 9, 2014.

\* cited by examiner

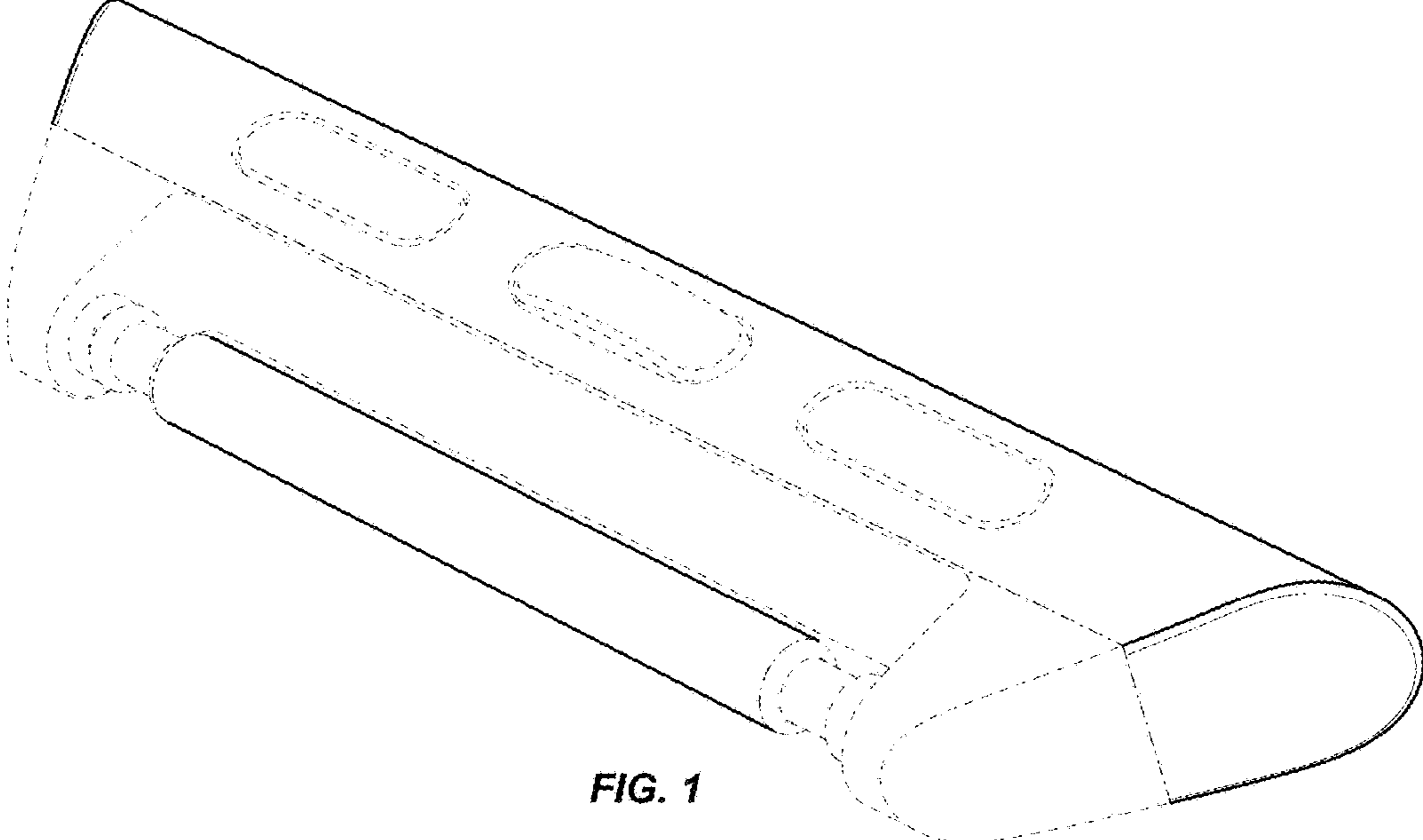


FIG. 1

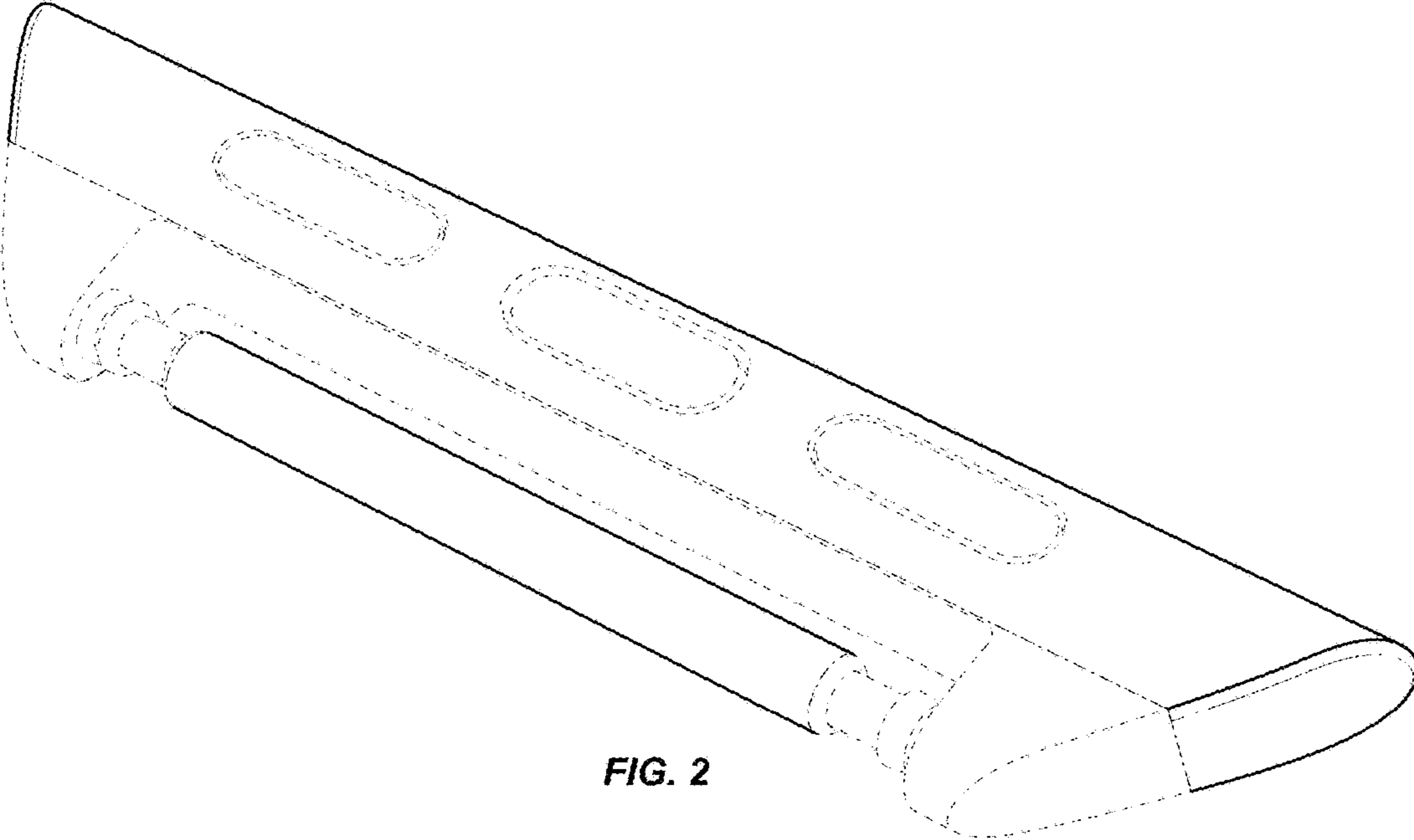


FIG. 2

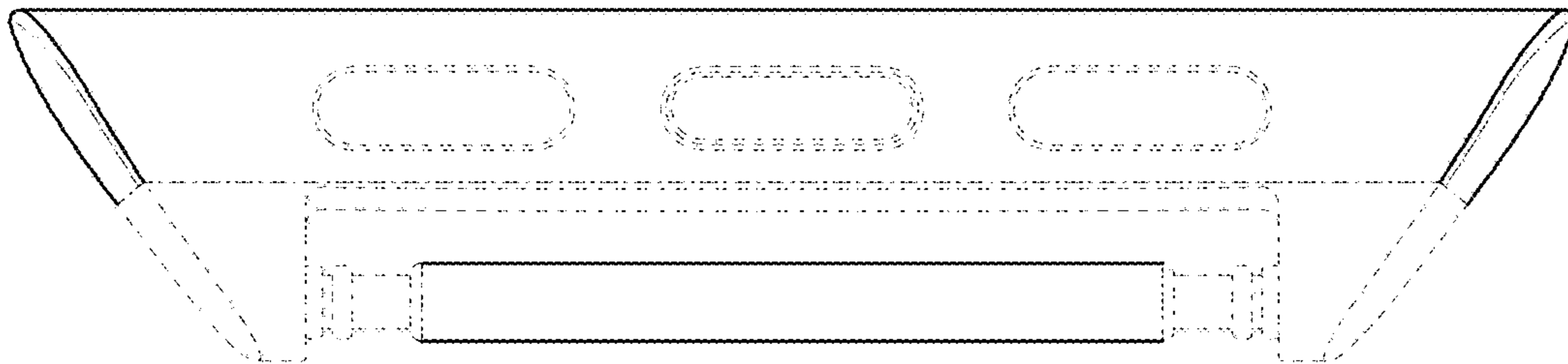


FIG. 3

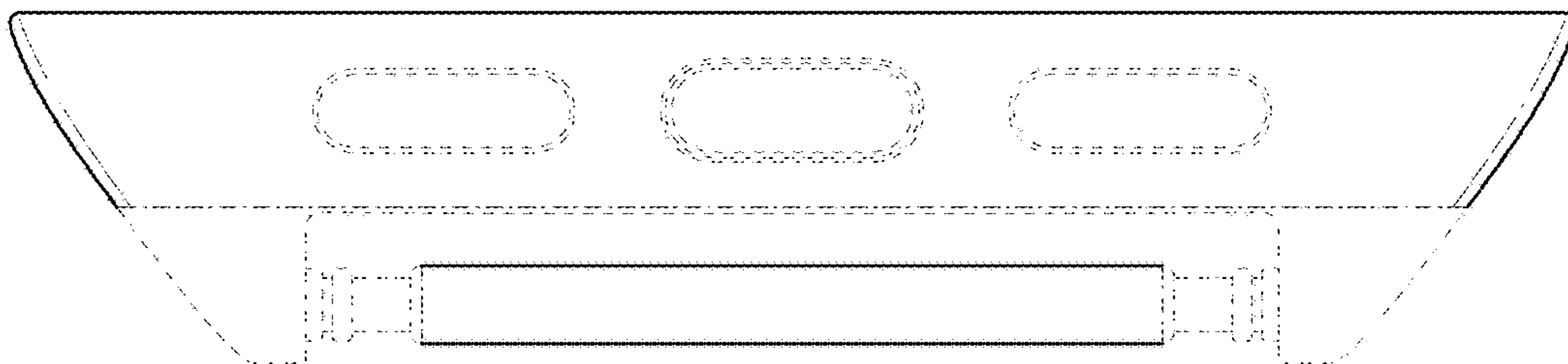
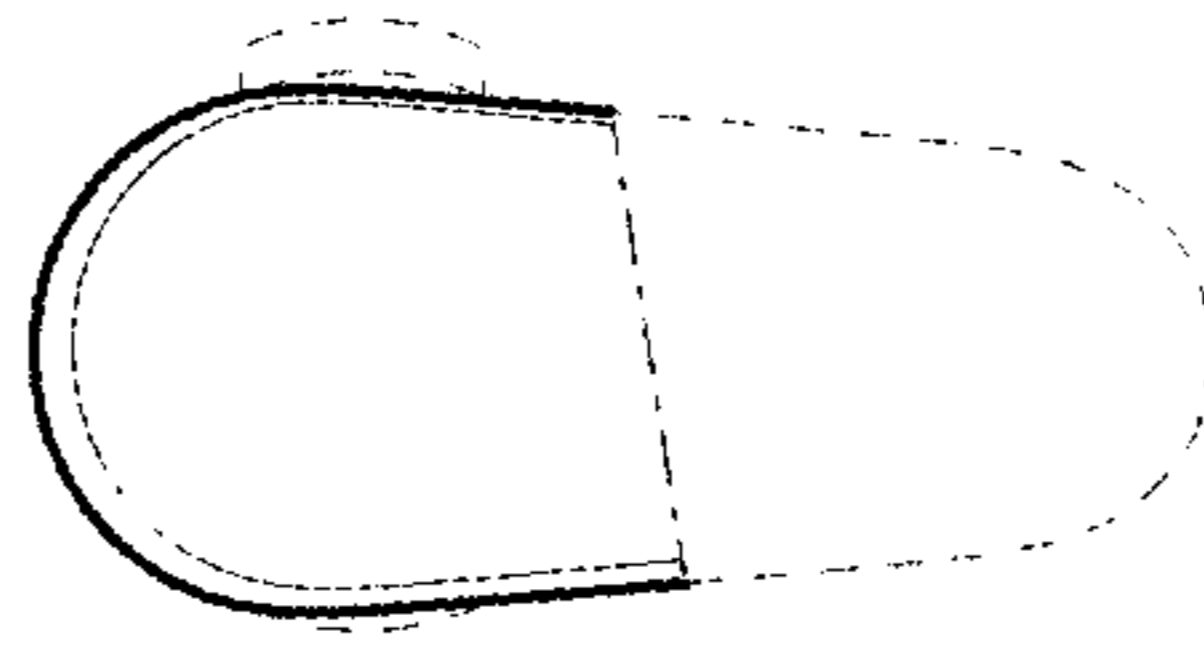
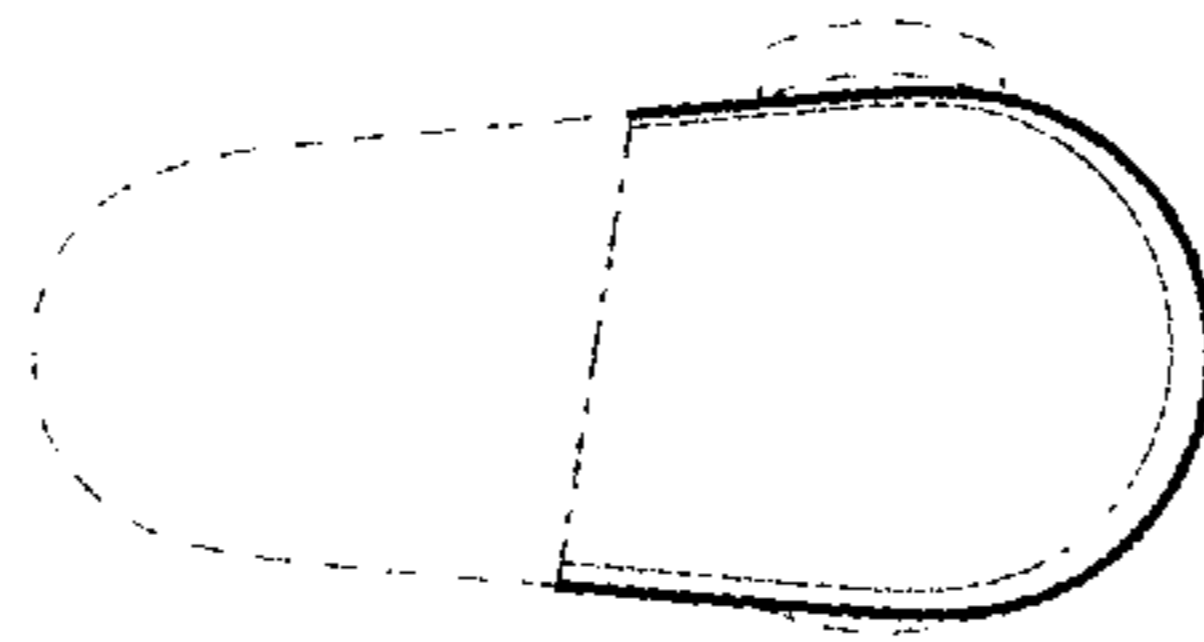


FIG. 4



**FIG. 5**



**FIG. 6**

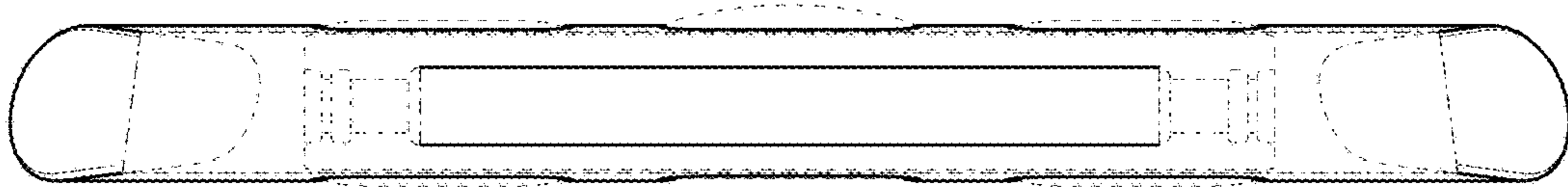


FIG. 7

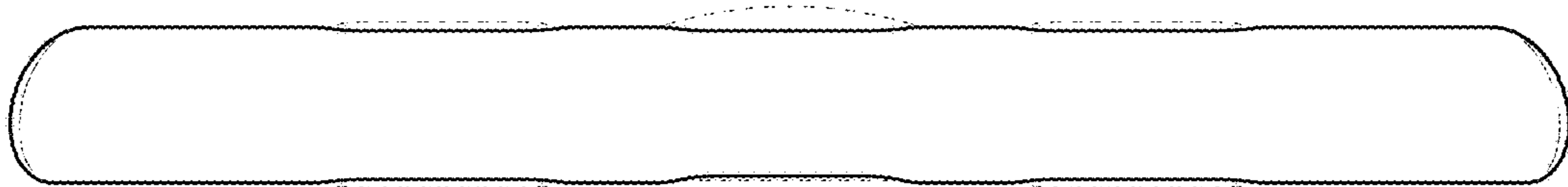


FIG. 8