



(12) **United States Design Patent**
Akana et al.

(10) **Patent No.:** **US D830,882 S**
(45) **Date of Patent:** **** Oct. 16, 2018**

(54) **BAND ATTACHMENT**

(71) Applicant: **Apple Inc.**, Cupertino, CA (US)

(72) Inventors: **Jody Akana**, San Francisco, CA (US);
Bartley K. Andre, Palo Alto, CA (US);
Shota Aoyagi, San Francisco, CA (US);
Anthony Michael Ashcroft, San Francisco, CA (US);
Jeremy Bataillou, San Francisco, CA (US);
Daniel J. Coster, San Francisco, CA (US);
Daniele De Iuliis, San Francisco, CA (US);
M. Evans Hankey, San Francisco, CA (US);
Julian Hoenig, San Francisco, CA (US);
Richard P. Howarth, San Francisco, CA (US);
Jonathan P. Ive, San Francisco, CA (US);
Duncan Robert Kerr, San Francisco, CA (US);
Marc A. Newson, London (GB);
Matthew Dean Rohrbach, San Francisco, CA (US);
Peter Russell-Clarke, San Francisco, CA (US);
Benjamin Andrew Shaffer, San Jose, CA (US);
Mikael Silvano, San Francisco, CA (US);
Christopher J. Stringer, Woodside, CA (US);
Eugene Antony Whang, San Francisco, CA (US);
Rico Zörkendörfer, San Francisco, CA (US)

(73) Assignee: **Apple Inc.**, Cupertino, CA (US)

(**) Term: **15 Years**

(21) Appl. No.: **29/559,874**

(22) Filed: **Mar. 31, 2016**

Related U.S. Application Data

(63) Continuation of application No. 29/518,911, filed on Feb. 27, 2015, now Pat. No. Des. 761,688, which is (Continued)

(51) **LOC (11) Cl.** **11-01**

(52) **U.S. Cl.**
USPC **D11/94**

(58) **Field of Classification Search**
USPC D11/1, 25, 32, 93, 94; D10/30-32
(Continued)

(56) **References Cited**

U.S. PATENT DOCUMENTS

2,163,208 A * 6/1939 Moody A44C 5/14
224/177
D178,326 S * 7/1956 Sharp D11/94
(Continued)

FOREIGN PATENT DOCUMENTS

EP 2636328 A1 9/2013
GB 618917 A 3/1949
(Continued)

OTHER PUBLICATIONS

etsy.com, "1 Set Silver End Cap Clasp—Findings Large Toggle Clasp End Caps Buckle Connector with Five Inside Loops for Jewelry Making 26mm," <<http://www.etsy.com/listing/101269004/1-set-silver-end-cap-clasp-findings?ref=market>>, Listed on Aug. 29, 2014, accessed Oct. 9, 2014.

(Continued)

Primary Examiner — Zenia I Bennett

(74) *Attorney, Agent, or Firm* — Sterne, Kessler, Goldstein & Fox P.L.L.C.

(57) **CLAIM**

The ornamental design for a band attachment, as shown and described.

DESCRIPTION

FIG. 1 is a bottom front perspective view of a band attachment showing our new design;
FIG. 2 is a bottom rear perspective view thereof;
FIG. 3 is a front view thereof;
FIG. 4 is a rear view thereof;

(Continued)

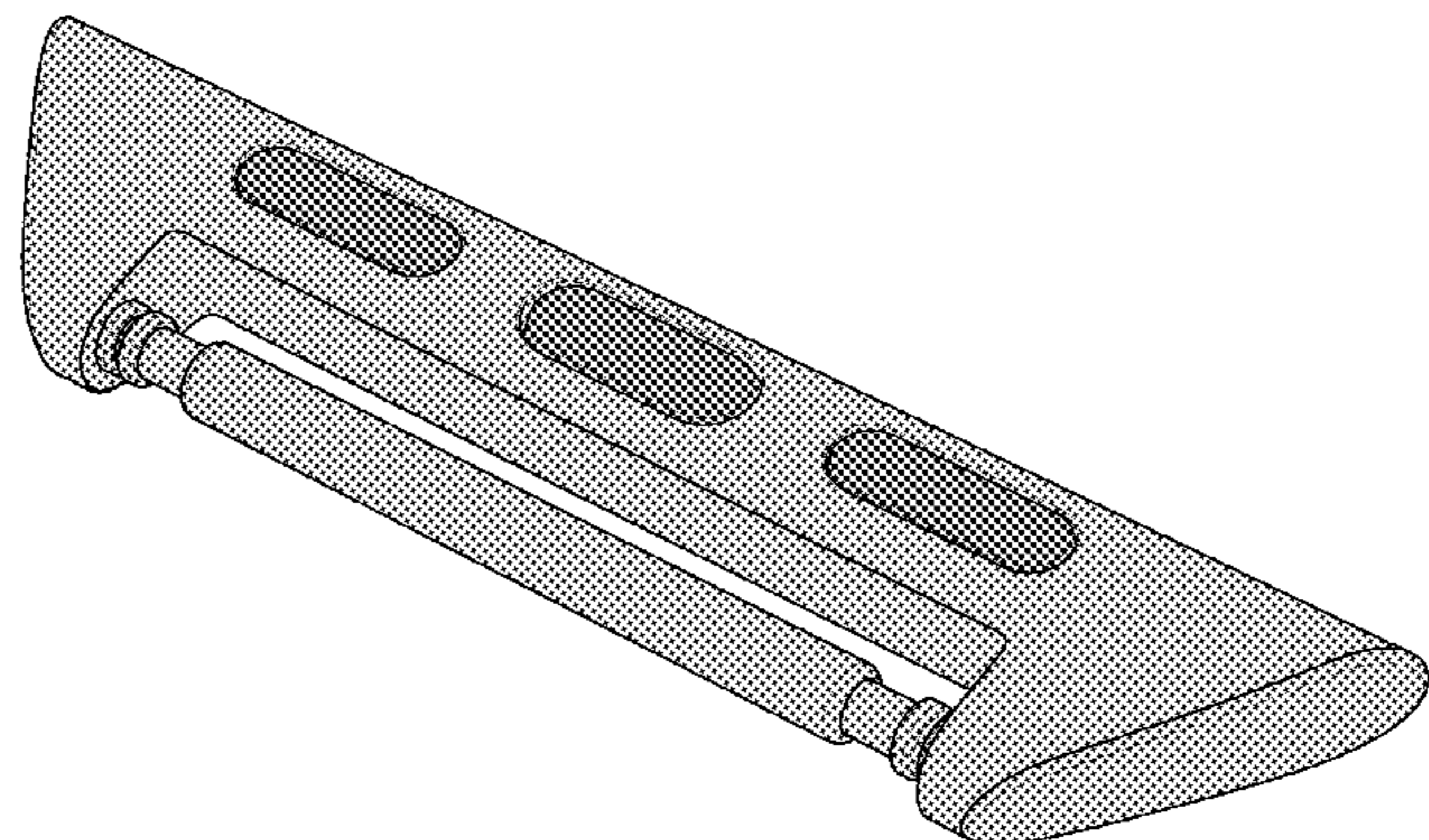
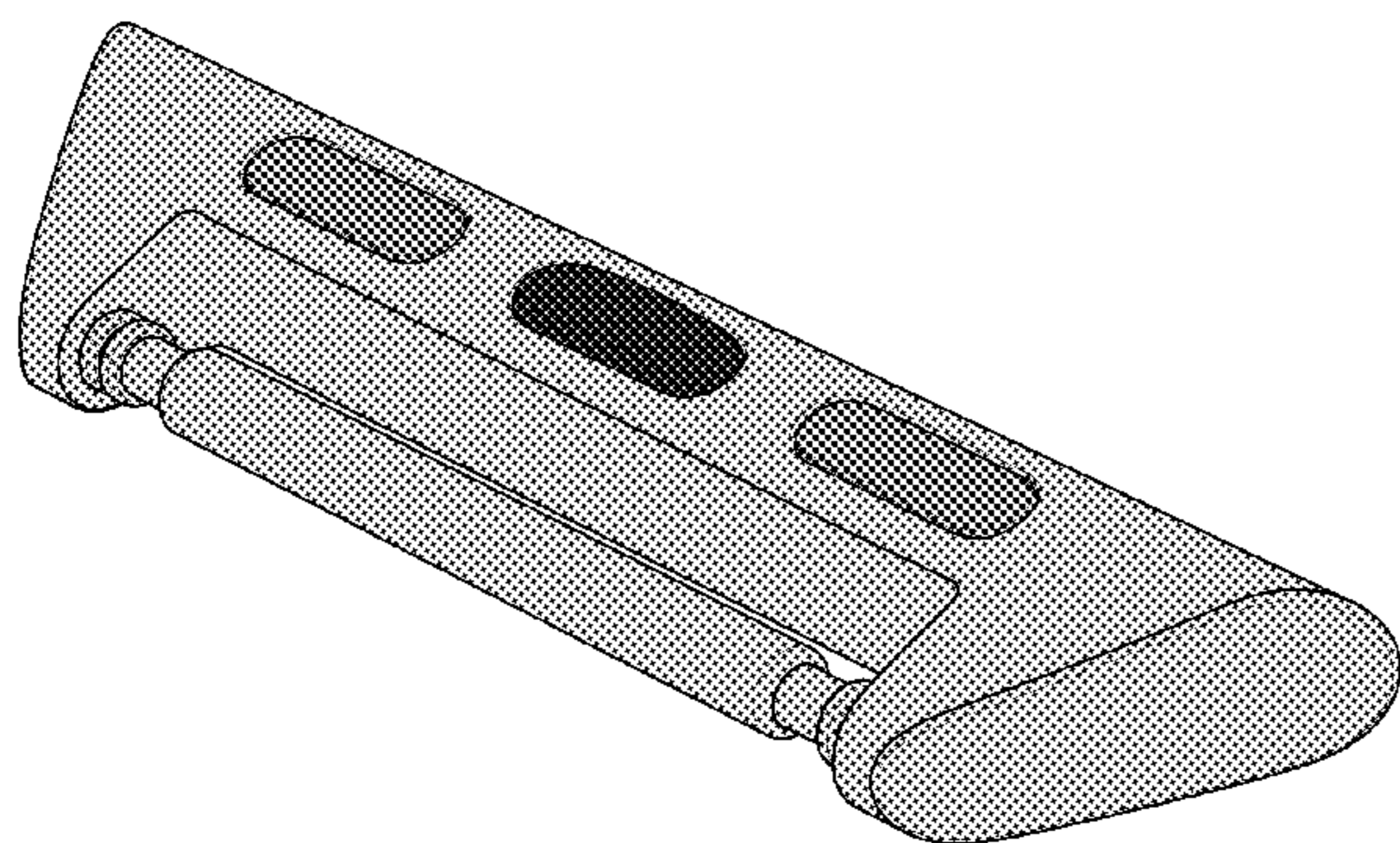


FIG. 5 is a left side view thereof;
 FIG. 6 is a right side view thereof;
 FIG. 7 is a bottom view thereof; and,
 FIG. 8 is a top view thereof.
 FIGS. 1-8 are illustrated to show contrasting appearance.
 The area(s) shown in light gray is one appearance, the
 area(s) shown in medium gray is a second appearance, and
 the area(s) shown in dark gray is a third appearance.

1 Claim, 4 Drawing Sheets

Related U.S. Application Data

a continuation of application No. 29/498,987, filed on
 Aug. 11, 2014, now Pat. No. Des. 749,460.

(58) **Field of Classification Search**

CPC A44C 5/02-5/246
 See application file for complete search history.

(56) **References Cited**

U.S. PATENT DOCUMENTS

3,030,686	A	4/1962	Burkhardt	
3,237,395	A *	3/1966	Bennett	A44C 5/08 224/175
3,609,963	A *	10/1971	Ichinose	A44C 5/24 224/176
3,665,565	A	5/1972	Kruger	
3,675,284	A	7/1972	Rieth	
3,965,670	A	6/1976	Ihringer	
D305,743	S *	1/1990	Hirsch	D11/94
5,363,351	A	11/1994	Carney	
D382,504	S *	8/1997	Strasser	D11/12
6,101,842	A	8/2000	Delacretaz	
D473,818	S	4/2003	Salvisberg	
D494,098	S	8/2004	Cohen	
D643,772	S	8/2011	Mikkelsen	
8,601,784	B2	12/2013	Kaltenrieder	
D724,469	S	3/2015	Akana et al.	
D727,197	S	4/2015	Akana et al.	
D727,198	S	4/2015	Akana et al.	

D727,199	S	4/2015	Akana et al.
D727,787	S	4/2015	Akana et al.
D731,346	S	6/2015	Akana et al.
D735,588	S	8/2015	Shimunov
D737,156	S	8/2015	Akana et al.
D737,157	S	8/2015	Akana et al.
D737,158	S	8/2015	Akana et al.
D737,159	S	8/2015	Akana et al.
D739,780	S	9/2015	Akana et al.
D744,356	S	12/2015	Akana et al.
D745,421	S	12/2015	Akana et al.
D746,707	S	1/2016	Akana et al.
D747,234	S	1/2016	Akana et al.
D748,008	S	1/2016	Akana et al.
D748,009	S	1/2016	Akana et al.
D748,010	S	1/2016	Akana et al.
D748,527	S	2/2016	Akana et al.
D749,009	S	2/2016	Akana et al.
D749,450	S	2/2016	Akana et al.
D749,460	S	2/2016	Akana et al.
D749,977	S	2/2016	Akana et al.
D750,524	S	3/2016	Akana et al.
D750,525	S	3/2016	Akana et al.
D751,070	S	3/2016	Akana et al.
2007/0070823	A1	3/2007	Sima
2007/0125123	A1	6/2007	Sierro
2012/0312052	A1	12/2012	Yliluoma
2014/0096345	A1	4/2014	Tschumi
2014/0098649	A1	4/2014	Tschumi

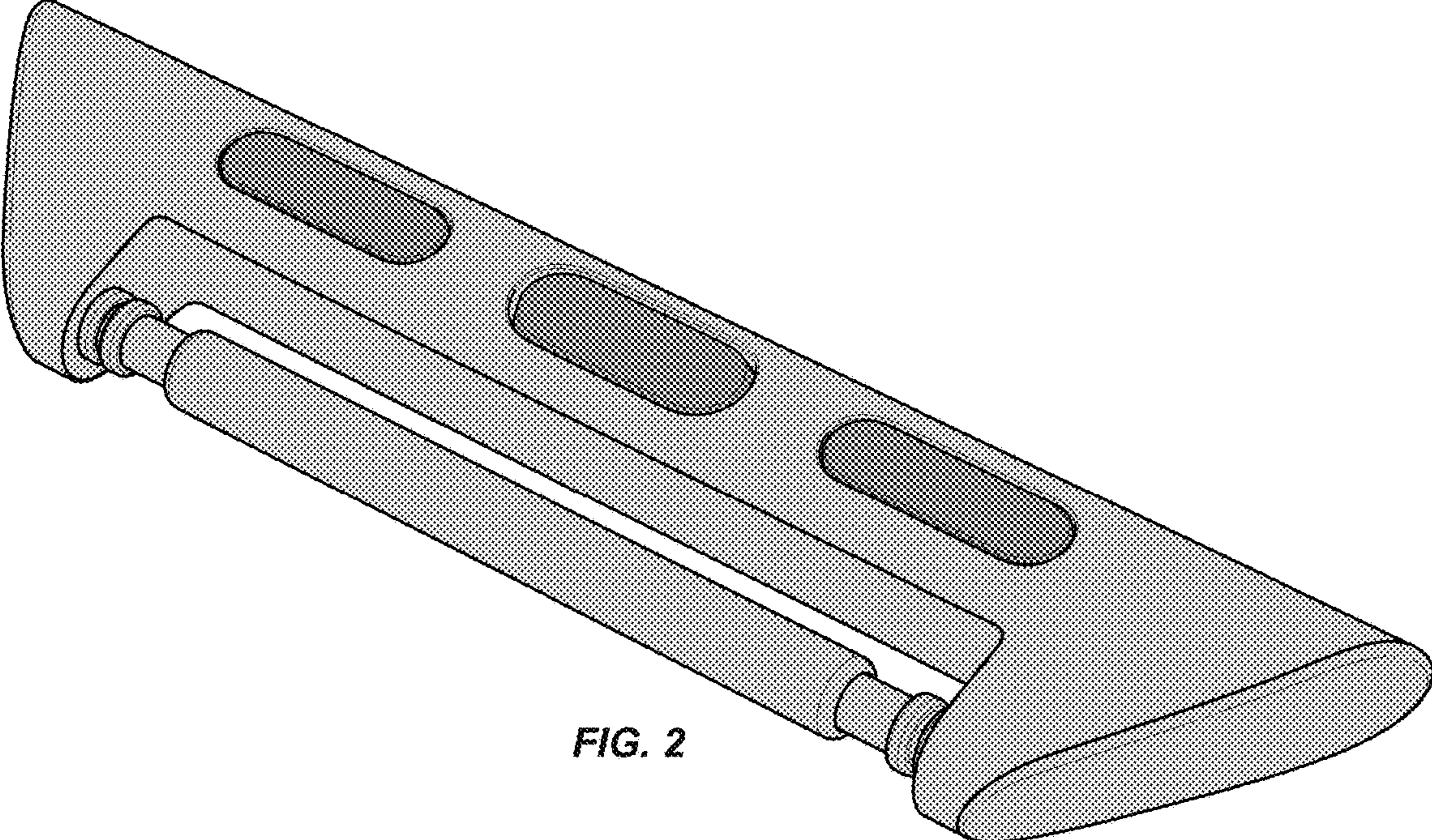
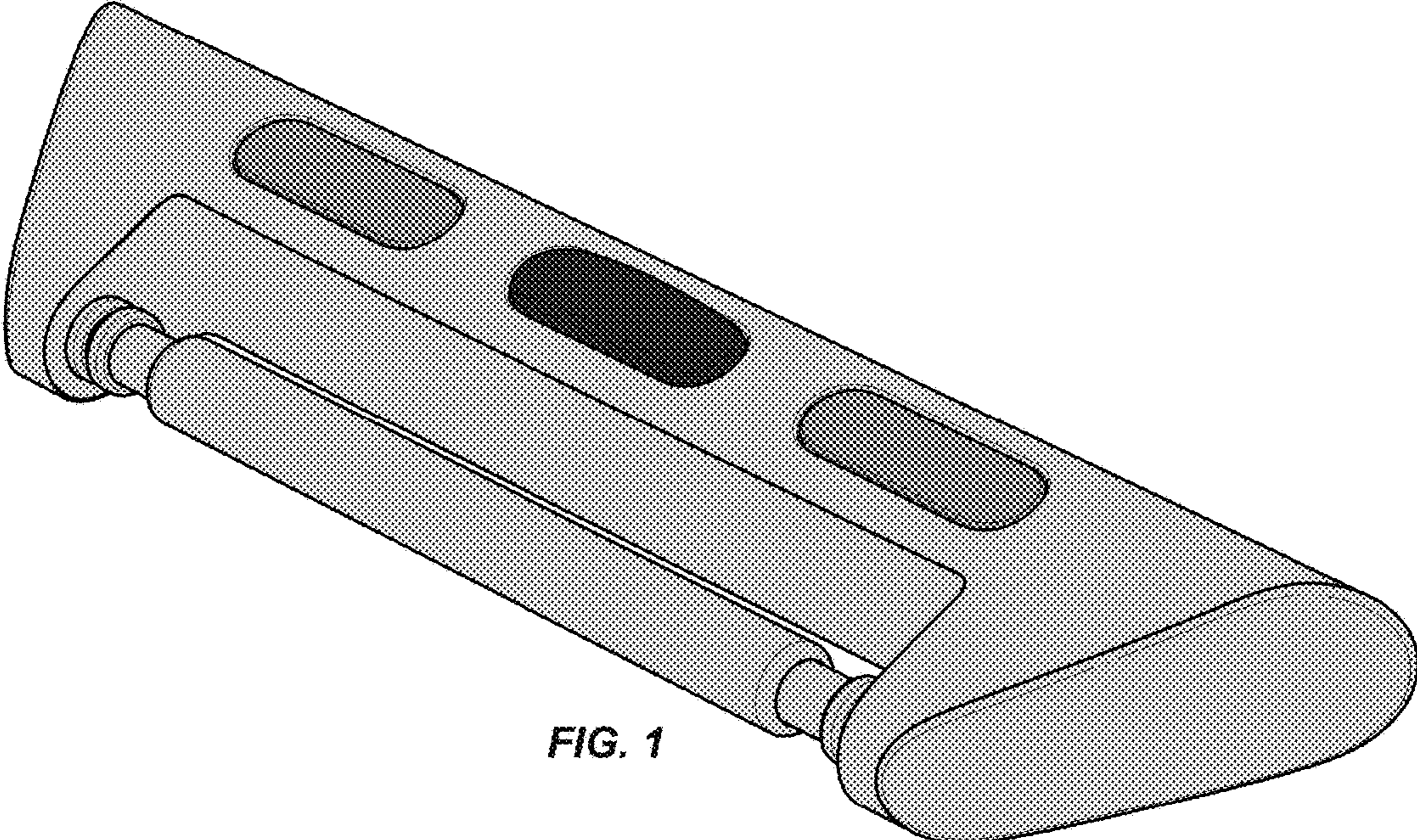
FOREIGN PATENT DOCUMENTS

GB	2082277	5/1984
WO	WO-2013182397 A1	12/2013

OTHER PUBLICATIONS

U.S. Appl. No. 29/499,081, filed Aug. 11, 2014, Akana et al.
 U.S. Appl. No. 29/499,082, filed Aug. 11, 2014, Akana et al.
 U.S. Appl. No. 29/499,090, filed Aug. 11, 2014, Akana et al.
 U.S. Appl. No. 29/501,152, filed Sep. 2, 2014, Akana et al.
 U.S. Appl. No. 29/501,624, filed Sep. 5, 2014, Akana et al.
 U.S. Appl. No. 29/501,733, filed Sep. 8, 2014, Akana et al.
 U.S. Appl. No. 29/501,737, filed Sep. 8, 2014, Akana et al.
 U.S. Appl. No. 29/501,772, filed Sep. 8, 2014, Akana et al.

* cited by examiner



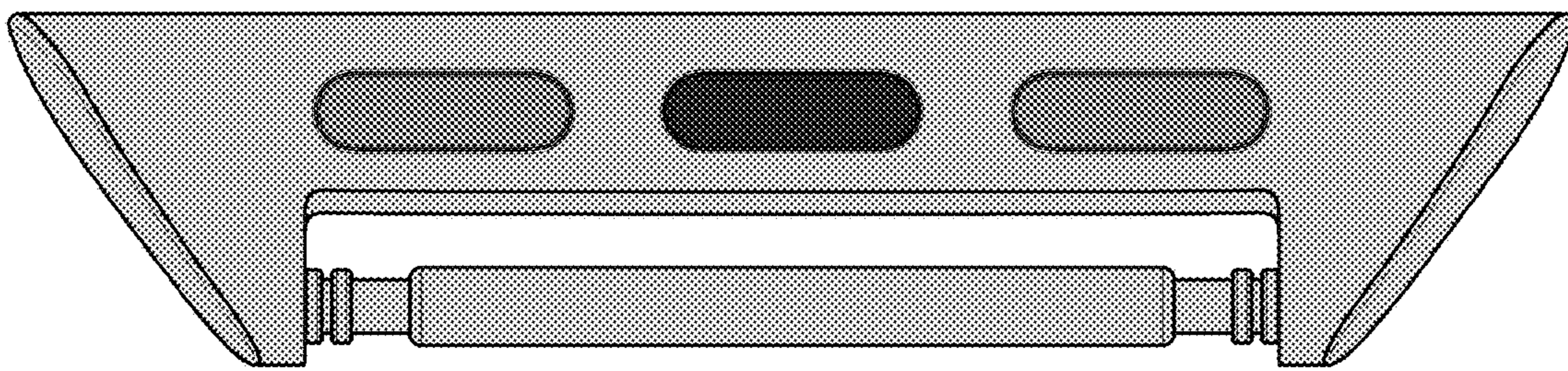


FIG. 3

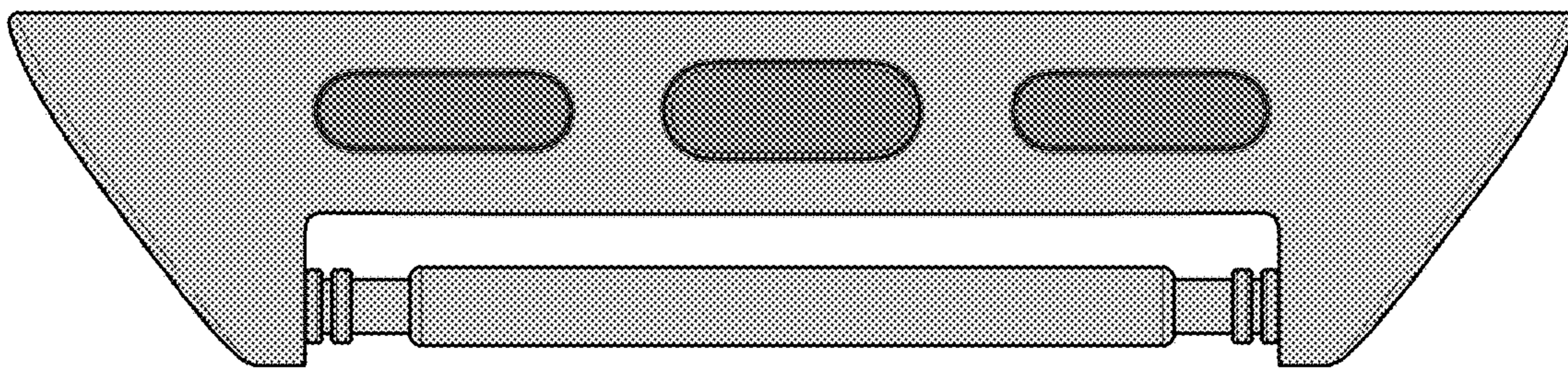


FIG. 4

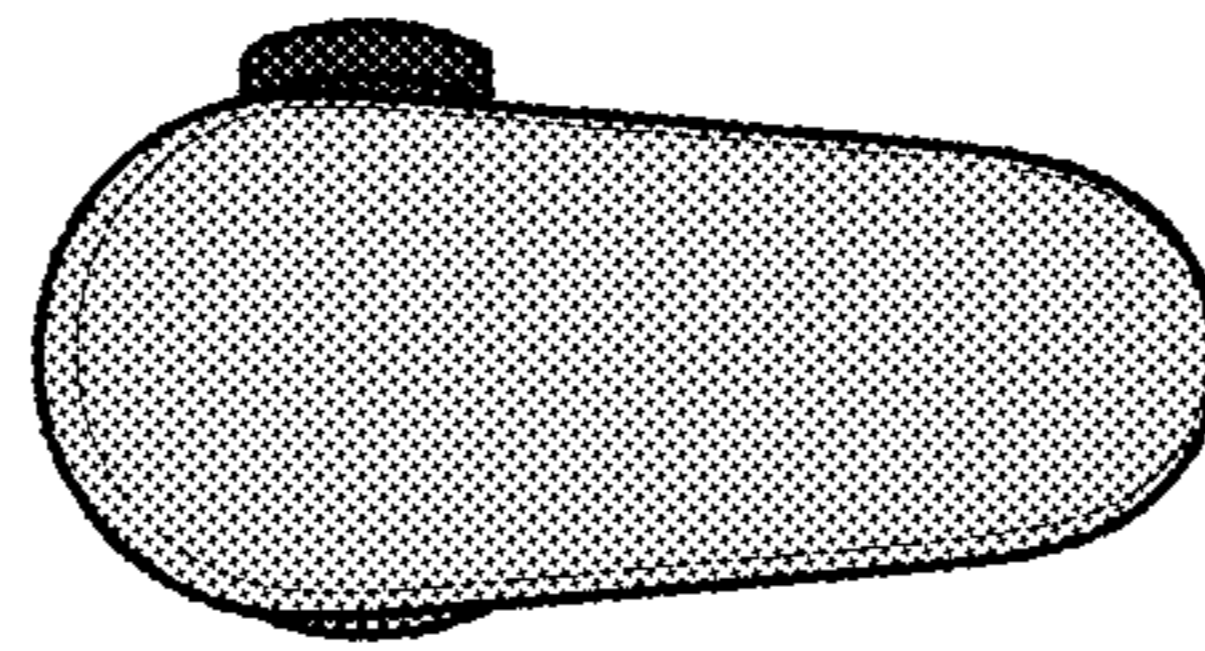


FIG. 5

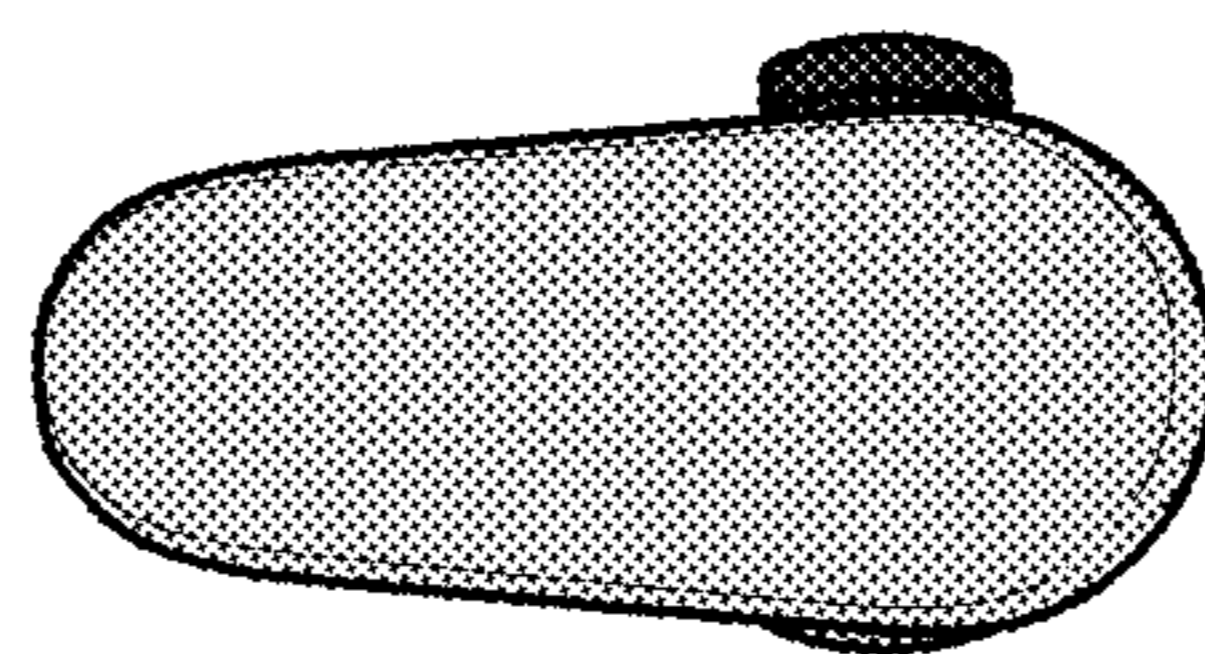


FIG. 6

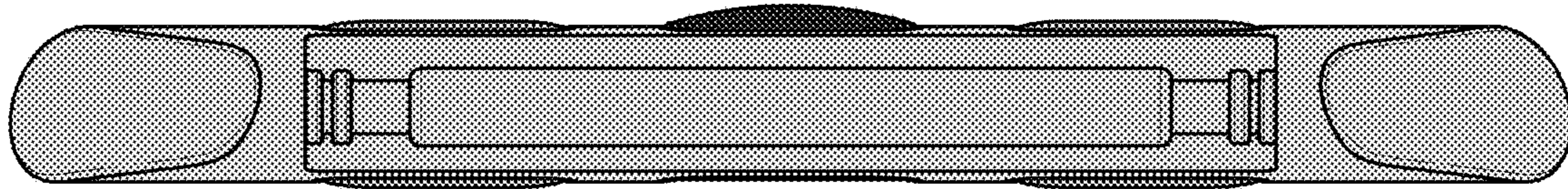


FIG. 7

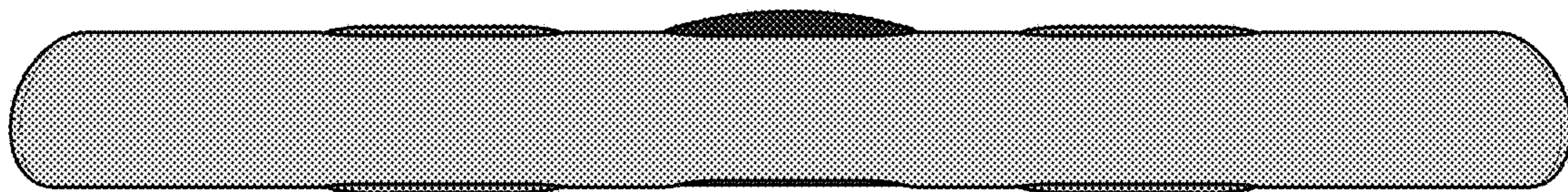


FIG. 8