



US00D830876S

(12) **United States Design Patent** (10) **Patent No.:** **US D830,876 S**
Williams (45) **Date of Patent:** **** Oct. 16, 2018**

- (54) **BALLOON WEIGHT BRACELET** 2,235,350 A * 3/1941 Anderson A44C 15/002
206/37
- (71) Applicant: **Royer Corporation, Inc.**, Madison, IN D143,816 S * 2/1946 Flatau 224/168
(US) D170,527 S * 10/1953 Del Mas D11/2
3,968,643 A * 7/1976 Curtil A44C 5/14
224/179
- (72) Inventor: **Roger Williams**, Madison, IN (US) D242,645 S * 12/1976 Shorin D1/106
D242,646 S * 12/1976 Shorin D1/104
- (**) Term: **15 Years** D342,740 S * 12/1993 Parker D11/4
D438,486 S * 3/2001 Ghemati D11/26
D446,626 S * 8/2001 Huang D1/102
D482,982 S * 12/2003 McAnally D11/4
D709,787 S * 7/2014 Rummonds D11/2
D721,599 S * 1/2015 Gruosi D10/32
- (21) Appl. No.: **29/621,486**
- (22) Filed: **Oct. 9, 2017**

(Continued)

Related U.S. Application Data

- (63) Continuation of application No. 29/547,696, filed on Dec. 7, 2015.
- (51) **LOC (11) Cl.** **11-01**
- (52) **U.S. Cl.**
USPC **D11/4**
- (58) **Field of Classification Search**
USPC D11/1-39; D28/39, 41-43; D1/102-105
CPC .. A44C 5/00; A44C 5/10; A44C 5/022; A44C
5/025; A44C 5/142; A44C 5/145; A44C
5/0007; A44C 5/0061; A44C 5/0069;
A44C 5/0076; A44C 5/0084; A44C
5/0092; A44C 5/2071; A44C 5/2085;
A44C 9/0007; A44C 9/0015; A44C
9/0038; A44C 9/0046; A44C 9/0053;
A44C 9/0084; A44C 9/001; A44C 9/02;
A44C 17/02; A44C 17/001; A44C
17/003; A44C 17/005
See application file for complete search history.

(56) **References Cited**

U.S. PATENT DOCUMENTS

- D53,436 S * 6/1919 Clarke D11/26
- 1,570,776 A * 1/1926 Peters A44C 17/02
63/15
- 1,810,291 A * 6/1931 Peters A44C 17/02
29/896.412

Primary Examiner — Kevin K Rudzinski

Assistant Examiner — Richard Kearney

(74) *Attorney, Agent, or Firm* — Benesch, Friedlander,
Coplan & Aronoff LLP

(57) **CLAIM**

The ornamental design for a balloon weight bracelet, as shown and described.

DESCRIPTION

FIG. 1 is a front elevational view of a balloon weight bracelet, showing the design, for which the opposite rear elevational view is a mirror image.

FIG. 2 is a side elevational view of the balloon weight bracelet of FIG. 1, for which the opposite side elevational view is a mirror image.

FIG. 3 is a front perspective view of the balloon weight bracelet of FIG. 1.

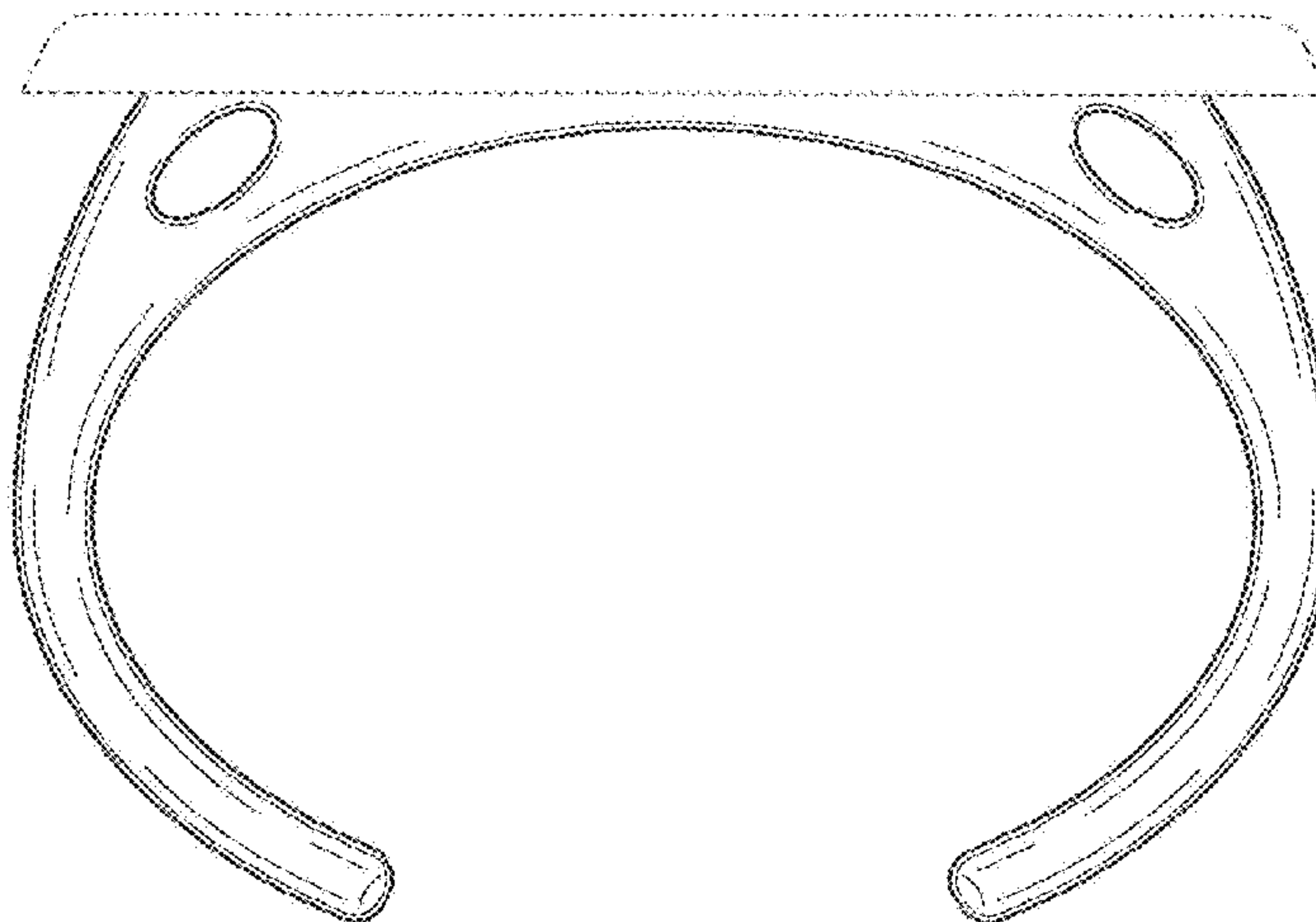
FIG. 4 is a rear perspective view of the balloon weight bracelet of FIG. 1.

FIG. 5 is a bottom plan view of the balloon weight bracelet of FIG. 1; and,

FIG. 6 is a top plan view of the balloon weight bracelet of FIG. 1.

The broken lines shown in the drawings illustrate portions of the article that form no part of the claimed design.

1 Claim, 6 Drawing Sheets



(56)

References Cited

U.S. PATENT DOCUMENTS

D729,102 S * 5/2015 Becker D11/3
D748,514 S * 2/2016 Daniel D10/104.2
D786,116 S * 5/2017 Thor D11/4
D820,124 S * 6/2018 Mouradian D10/70
2005/0034481 A1* 2/2005 Saltz A44C 5/0023
63/3
2010/0050690 A1* 3/2010 Woodward A44C 5/0007
63/15.1
2014/0326772 A1* 11/2014 Pyper A45D 8/34
224/587

* cited by examiner

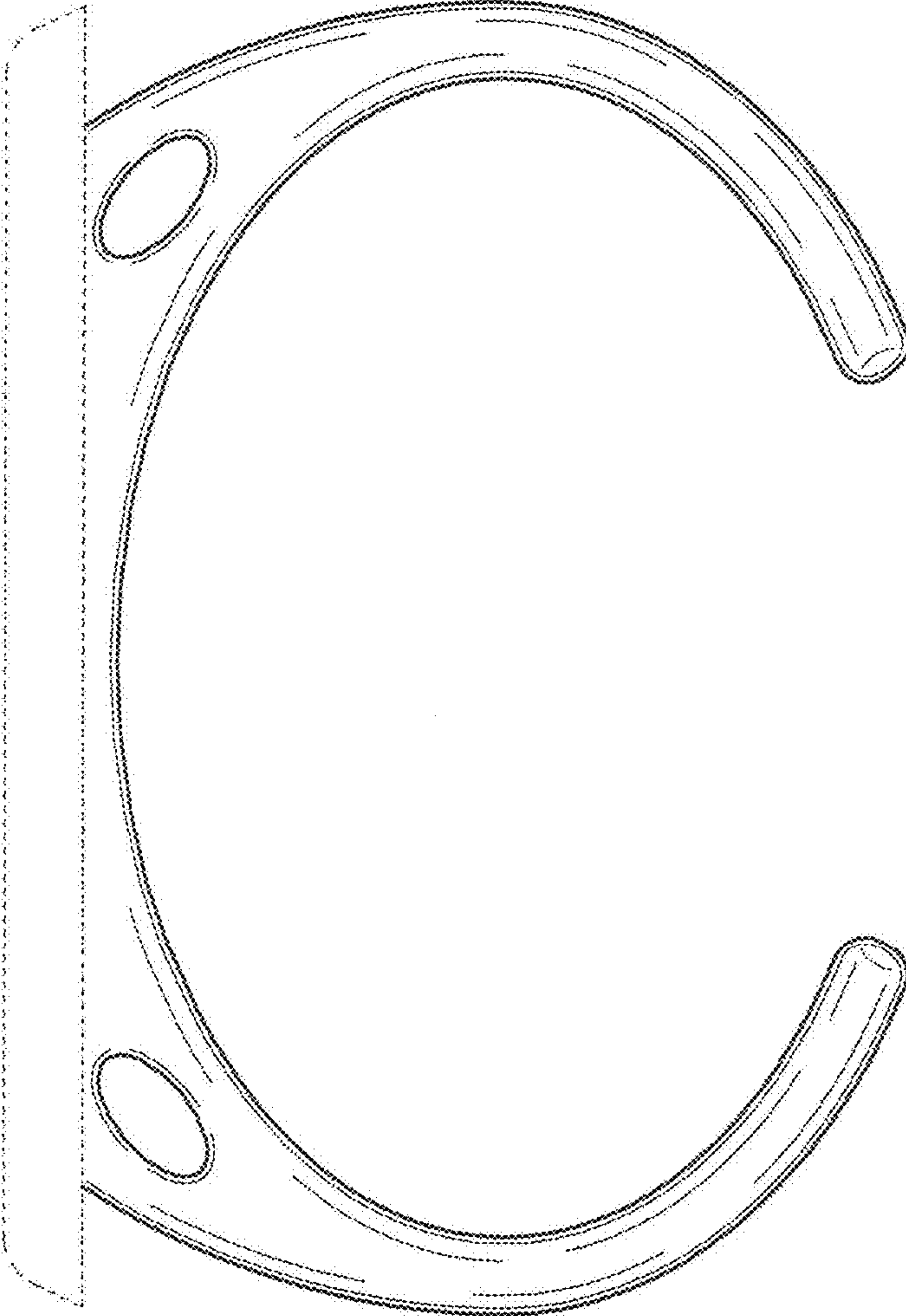


Fig.1

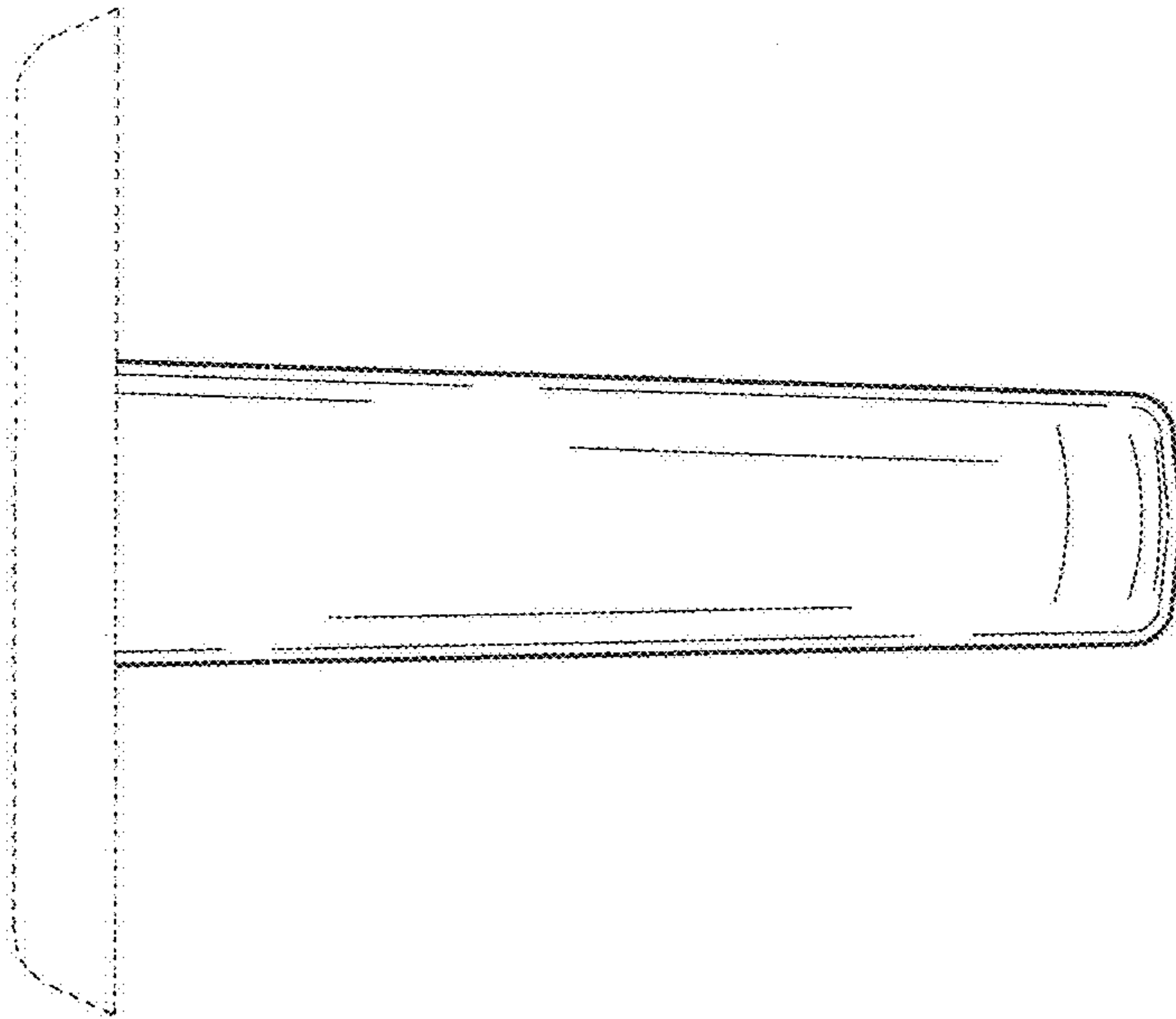


Fig. 2

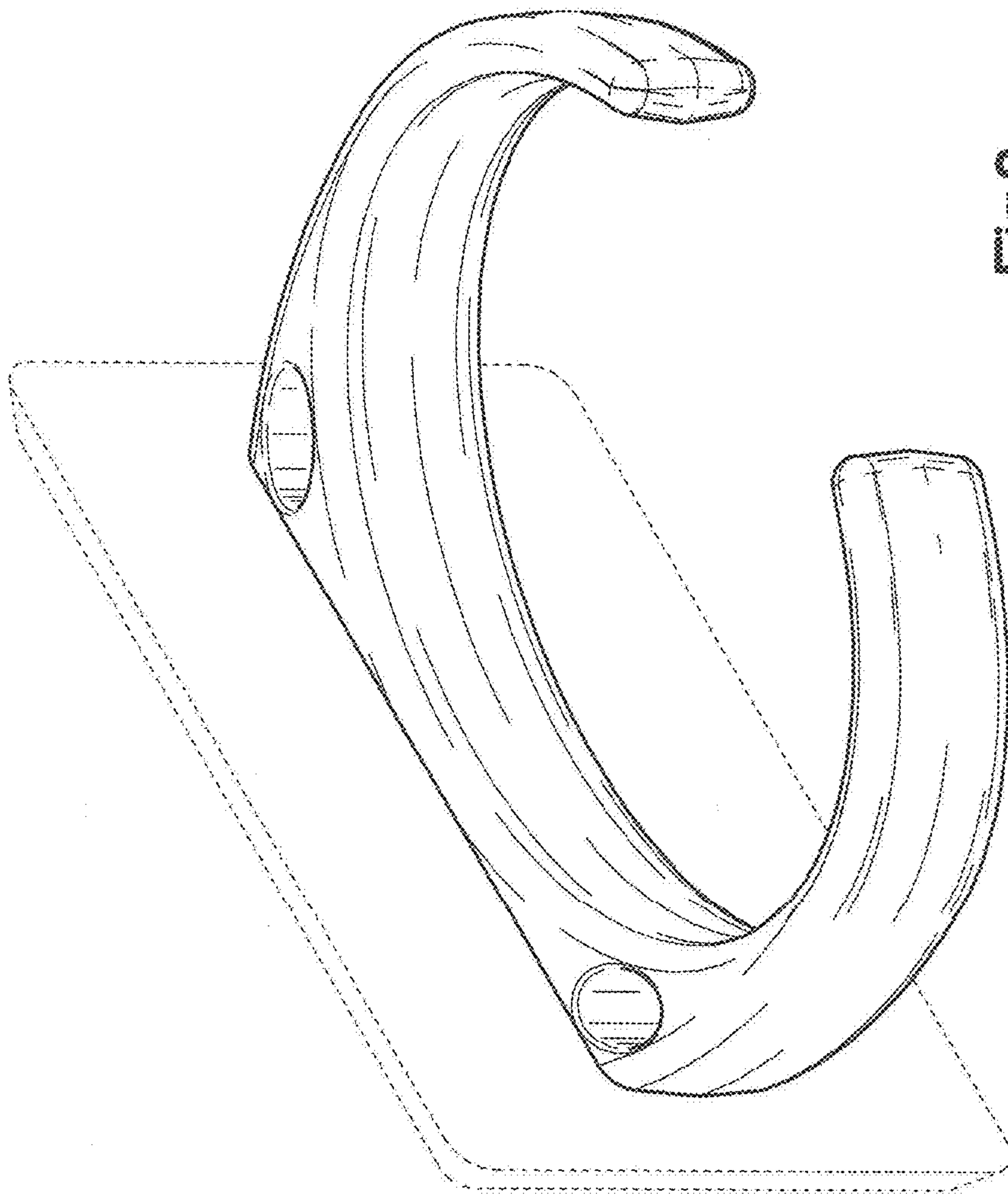


Fig.3

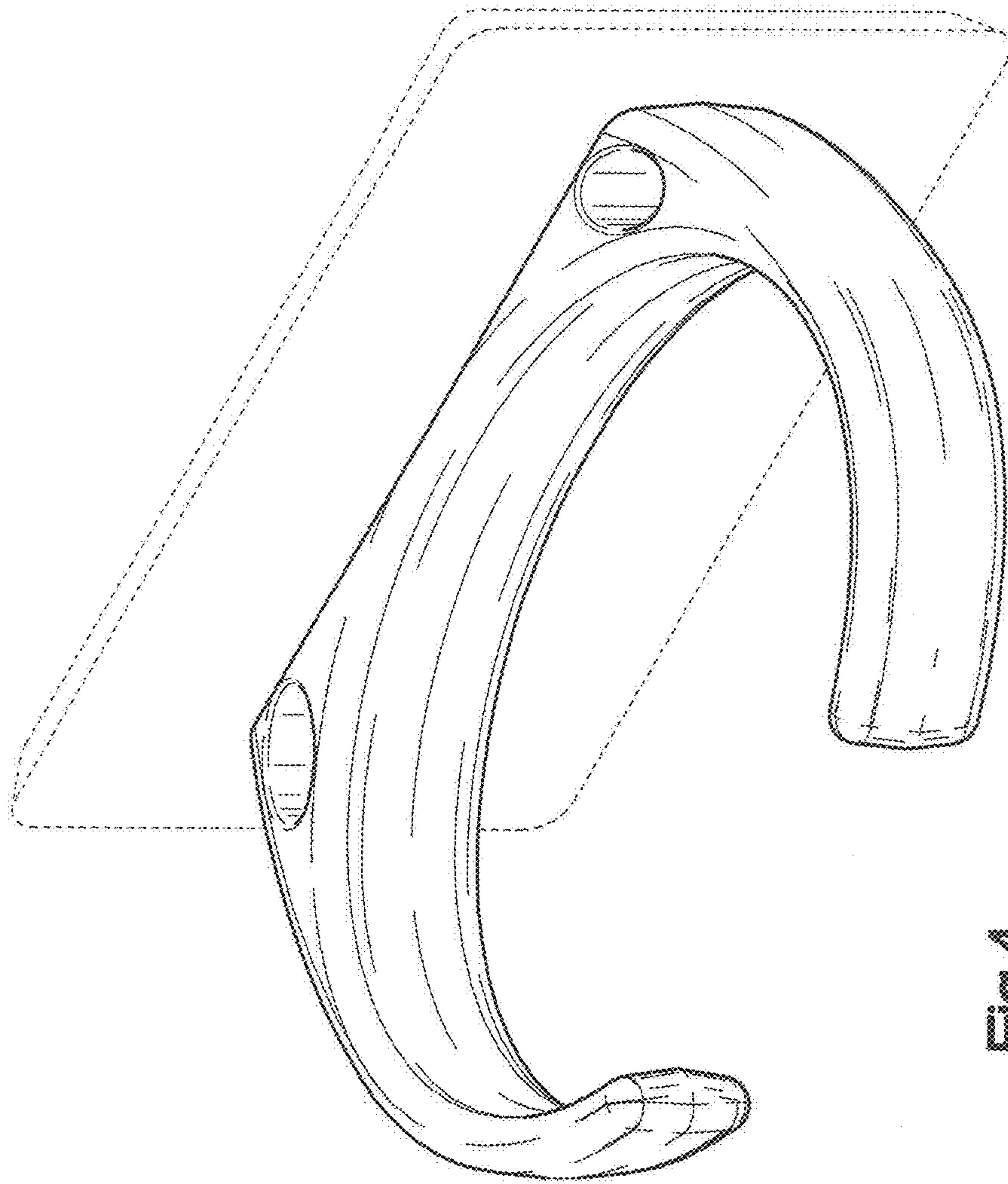


Fig. 4

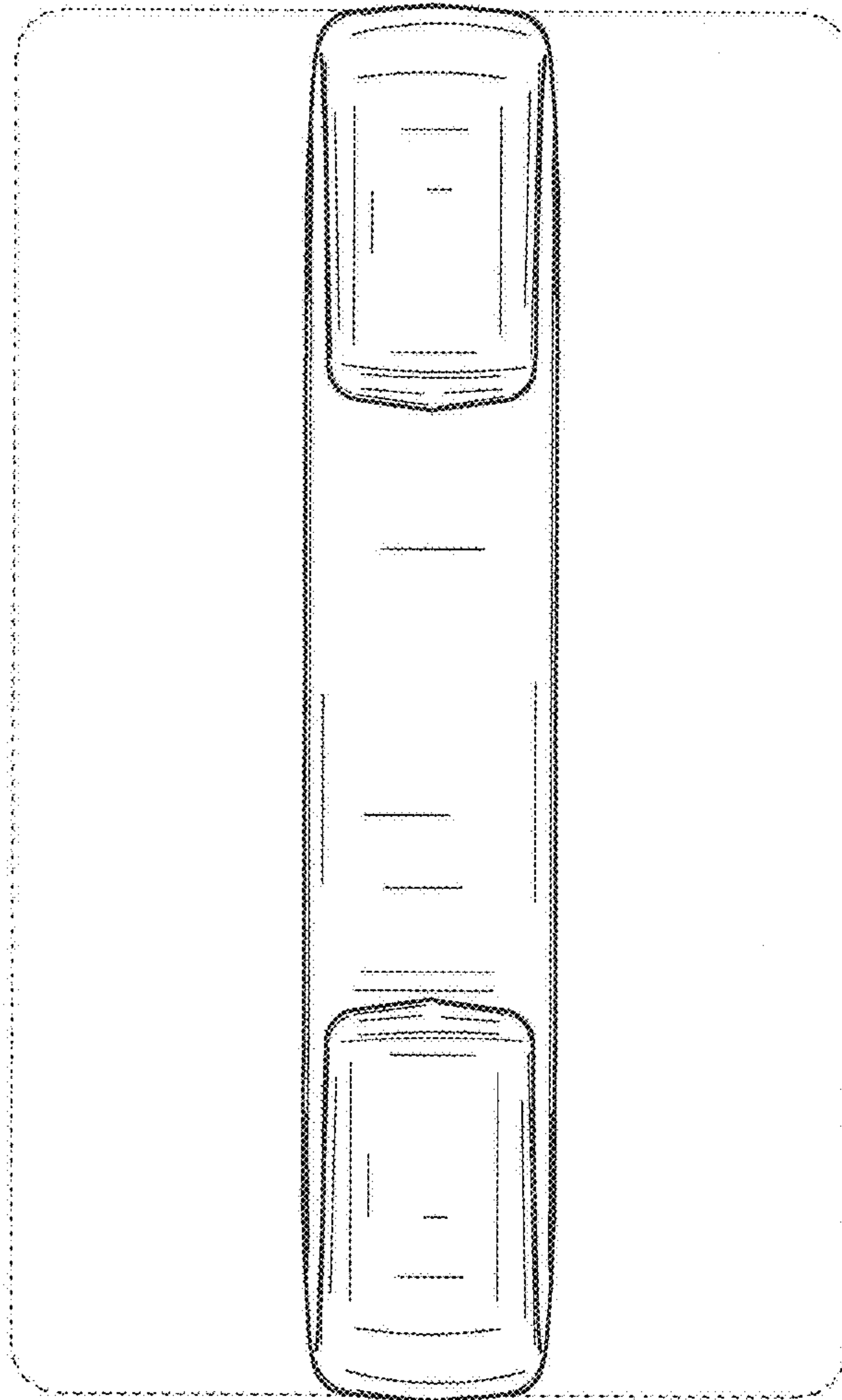


Fig. 5

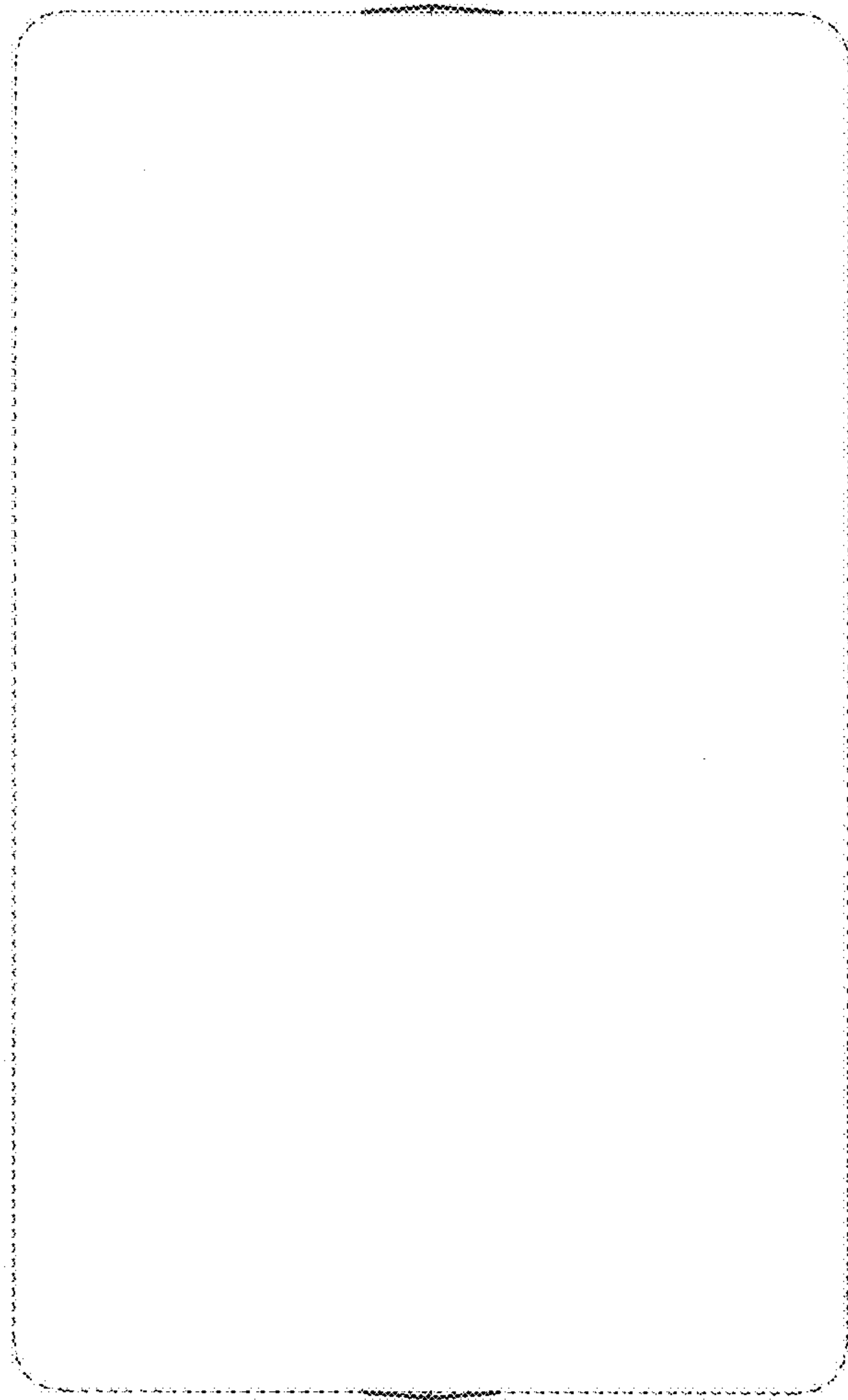


Fig. 6