



US00D830875S

(12) **United States Design Patent**  
**Turpin**

(10) **Patent No.:** **US D830,875 S**

(45) **Date of Patent:** **\*\* Oct. 16, 2018**

(54) **BRACELET**

(71) Applicant: **Zachariah Turpin**, Jackson, WY (US)

(72) Inventor: **Zachariah Turpin**, Jackson, WY (US)

(\*\*) Term: **15 Years**

(21) Appl. No.: **29/609,742**

(22) Filed: **Jul. 5, 2017**

(51) **LOC (11) Cl.** ..... **11-01**

(52) **U.S. Cl.**  
USPC ..... **D11/4**

(58) **Field of Classification Search**

USPC ..... D11/1-45, 77, 91, 92; D14/344  
CPC ..... A44C 5/00; A44C 5/0007; A44C 5/0015;  
A44C 5/0023; A44C 5/003; A44C  
5/0038; A44C 5/0046; A44C 5/0053;  
A44C 5/0061; A44C 5/0069; A44C  
5/0084; A44C 5/0092; A44C 5/02; A44C  
5/022; A44C 5/025; A44C 5/027; A44C  
5/04; A44C 5/06; A44C 5/08; A44C 5/10;  
A44C 5/12; A44C 13/00; A44C 7/00;  
A44C 7/001; A44C 7/002; A44C 7/003;  
A44C 9/00; A44C 9/0007; A44C 9/0015;  
A44C 9/02

See application file for complete search history.

(56) **References Cited**

**U.S. PATENT DOCUMENTS**

D83,144 S \* 1/1931 Broom ..... D11/28  
D149,784 S \* 6/1948 Anderson ..... D11/26  
D153,203 S \* 3/1949 Bergman ..... D11/26  
D197,806 S \* 3/1964 Nolen ..... D11/26  
D197,807 S \* 3/1964 Nolen ..... D11/26  
D250,005 S \* 10/1978 Christoffersen ..... D11/38  
D255,436 S \* 6/1980 Bogner ..... D11/38  
D312,593 S \* 12/1990 Bulgari ..... D11/38

D352,672 S \* 11/1994 Dumas ..... D11/30  
D360,162 S \* 7/1995 Doherty ..... D11/26  
D463,307 S \* 9/2002 Charriol ..... D11/3  
D472,839 S \* 4/2003 Charriol ..... D11/3  
D491,092 S \* 6/2004 Kurdi ..... D11/38  
D563,821 S \* 3/2008 McKeever ..... D11/26  
D617,672 S \* 6/2010 Sandberg ..... D11/39  
D666,935 S \* 9/2012 Hernandez ..... D11/3  
9,380,843 B2 \* 7/2016 Logian ..... A44C 5/02  
D780,019 S \* 2/2017 Riviere ..... D11/34  
D807,221 S \* 1/2018 Dumas ..... D11/30

\* cited by examiner

*Primary Examiner* — Cynthia Ramirez

*Assistant Examiner* — L. Martinez-Rivera

(74) *Attorney, Agent, or Firm* — Salter & Michaelson

(57) **CLAIM**

The ornamental design for a bracelet, as shown and described.

**DESCRIPTION**

FIG. 1 is a perspective view of a bracelet showing my new design;

FIG. 2 is a front elevational view thereof;

FIG. 3 is a rear elevational view thereof;

FIG. 4 is a top plan view thereof;

FIG. 5 is a bottom plan view thereof;

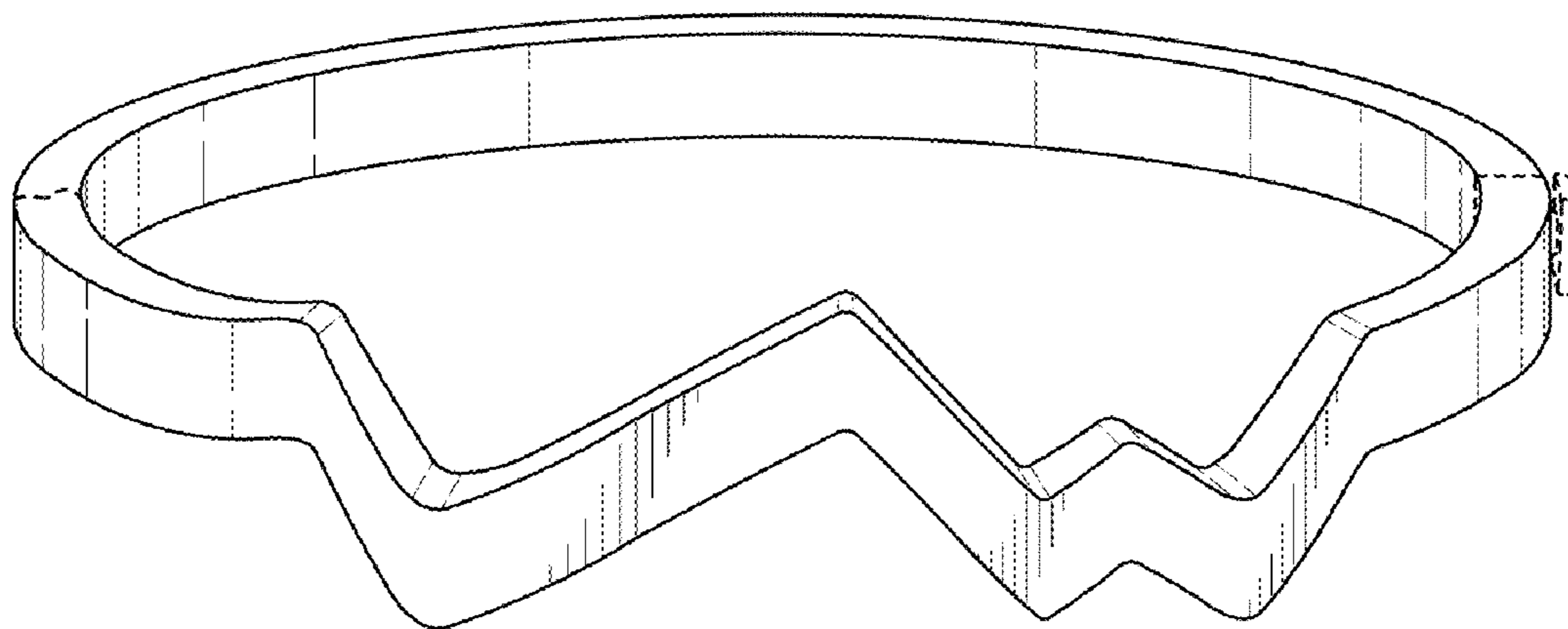
FIG. 6 is a right side elevational view thereof;

FIG. 7 is a left side elevational view thereof; and,

FIG. 8 is another perspective view thereof, showing the bracelet of FIG. 1 in a stacked configuration.

The broken lines in the drawings illustrate portions of the bracelet that form no part of the claimed design. The stacked bracelets shown in broken lines in FIG. 8 represent environmental subject matter only and form no part of the claimed design.

**1 Claim, 8 Drawing Sheets**



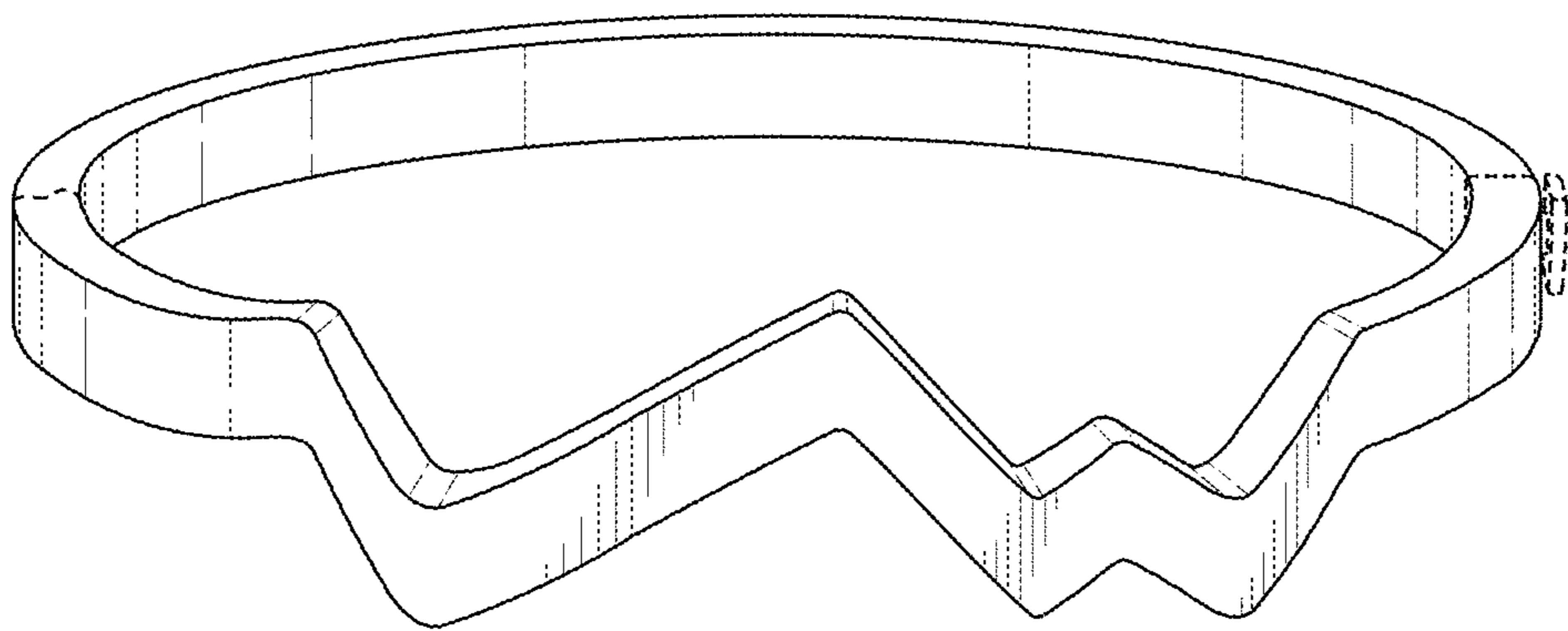


FIG. 1

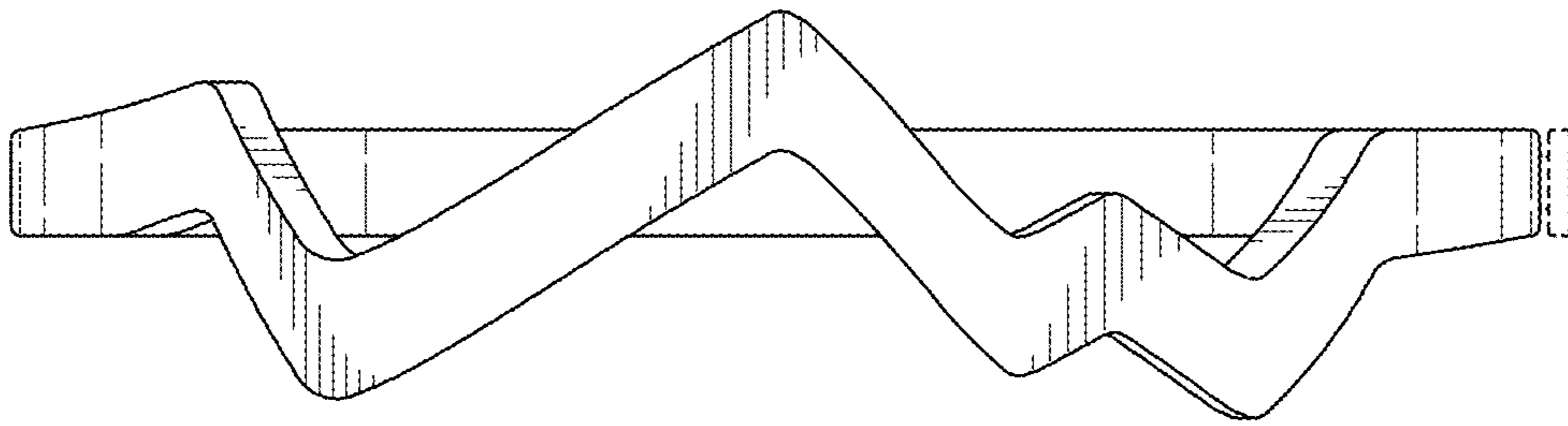


FIG. 2

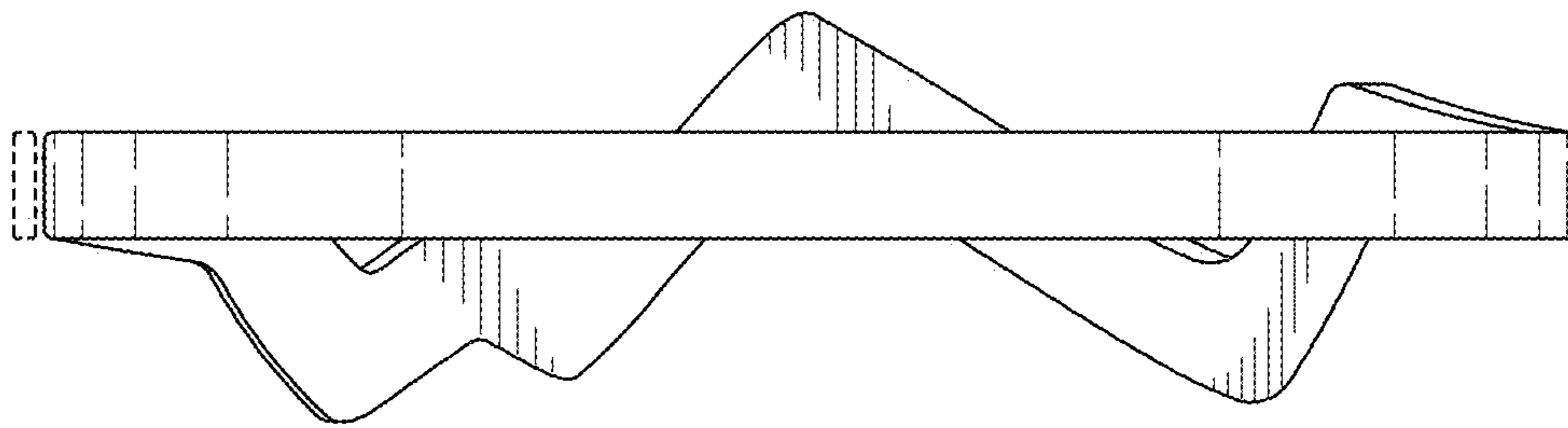


FIG. 3

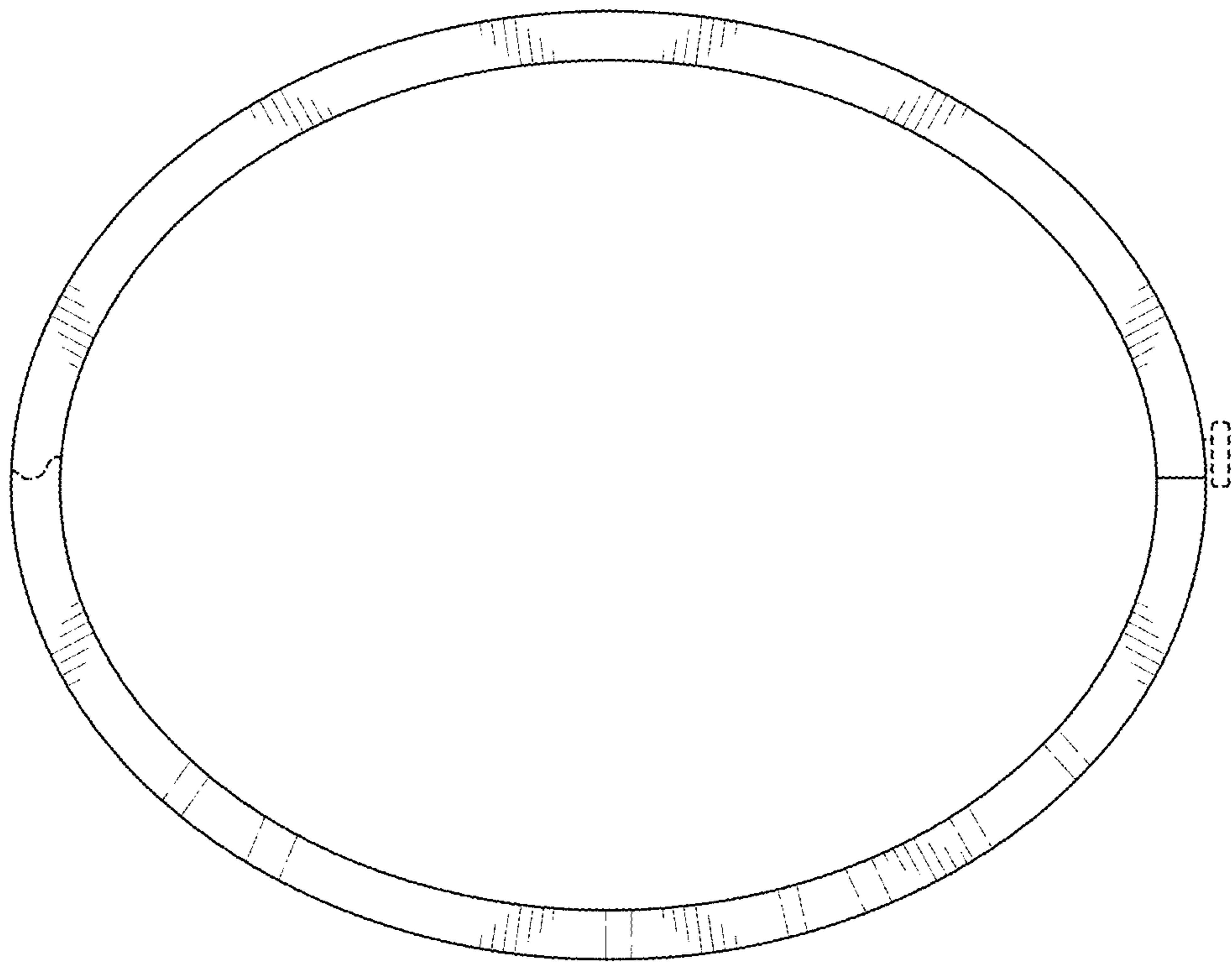


FIG. 4

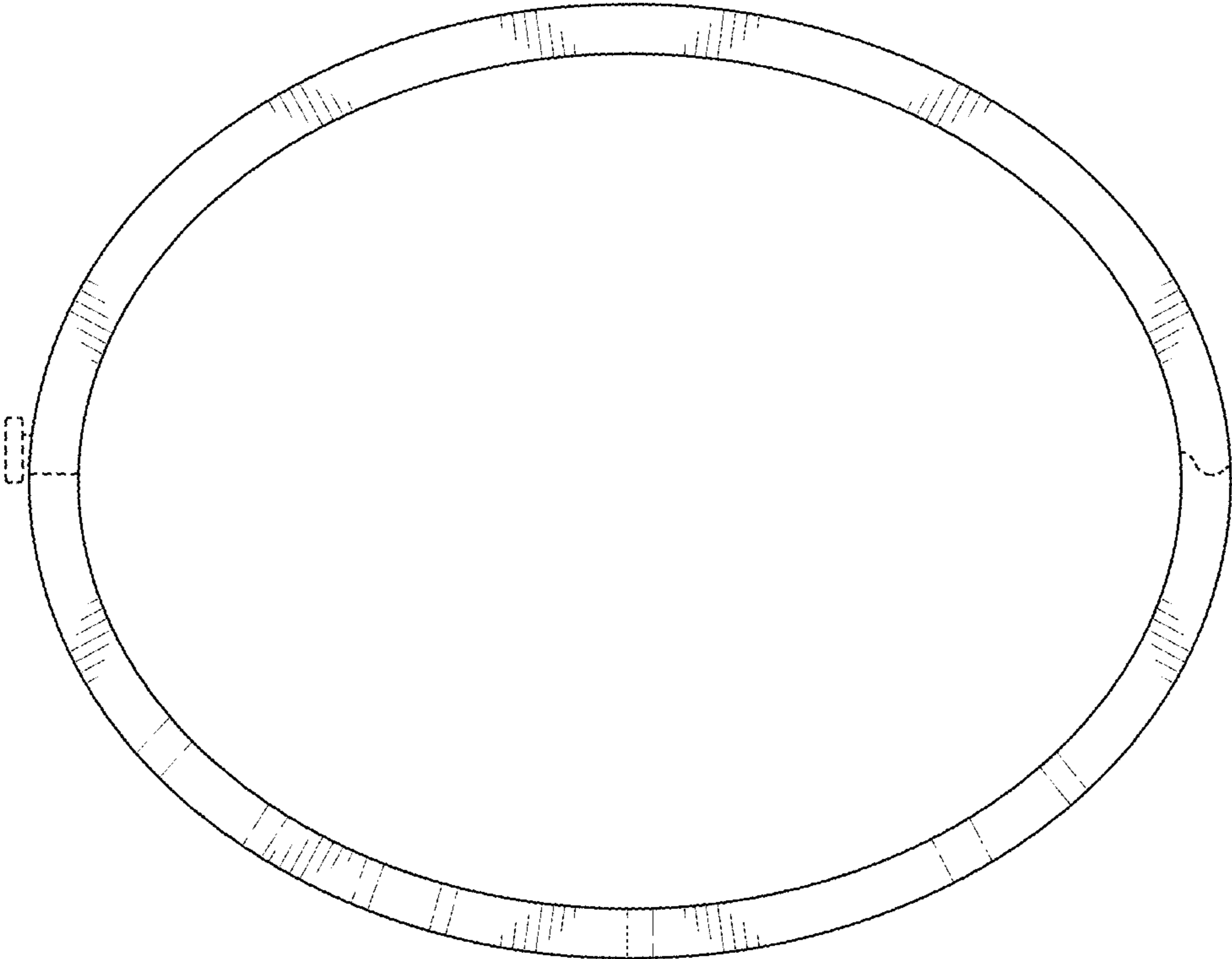


FIG. 5

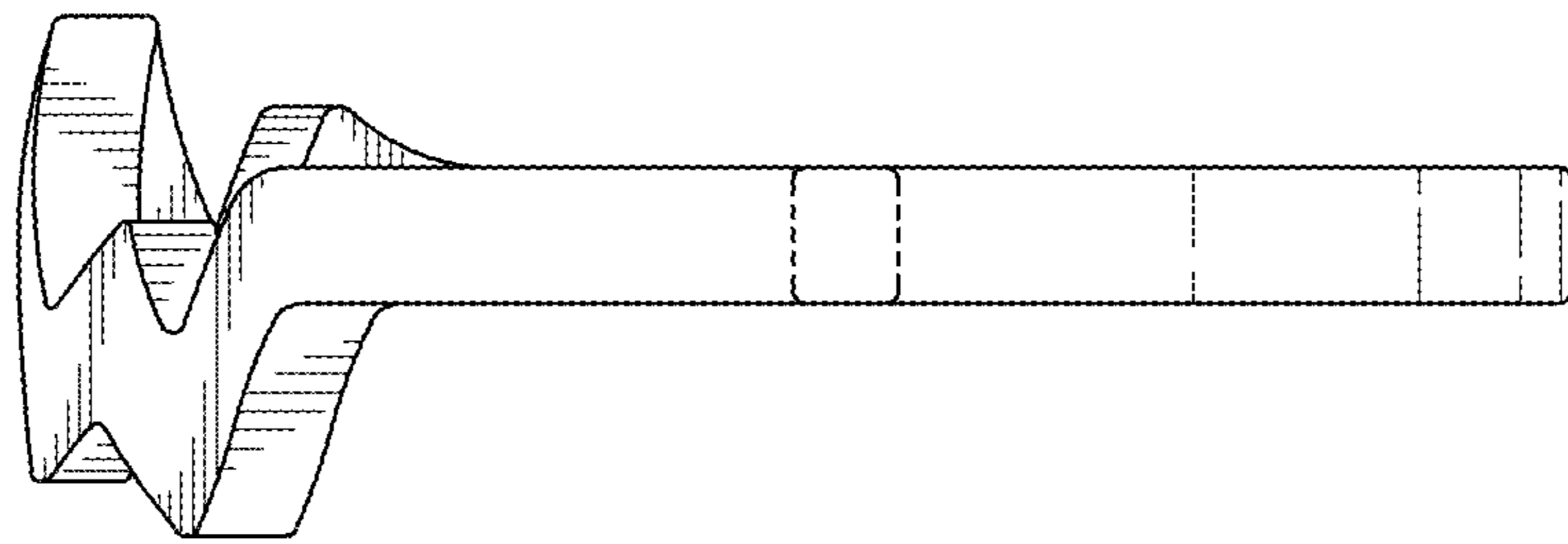


FIG. 6

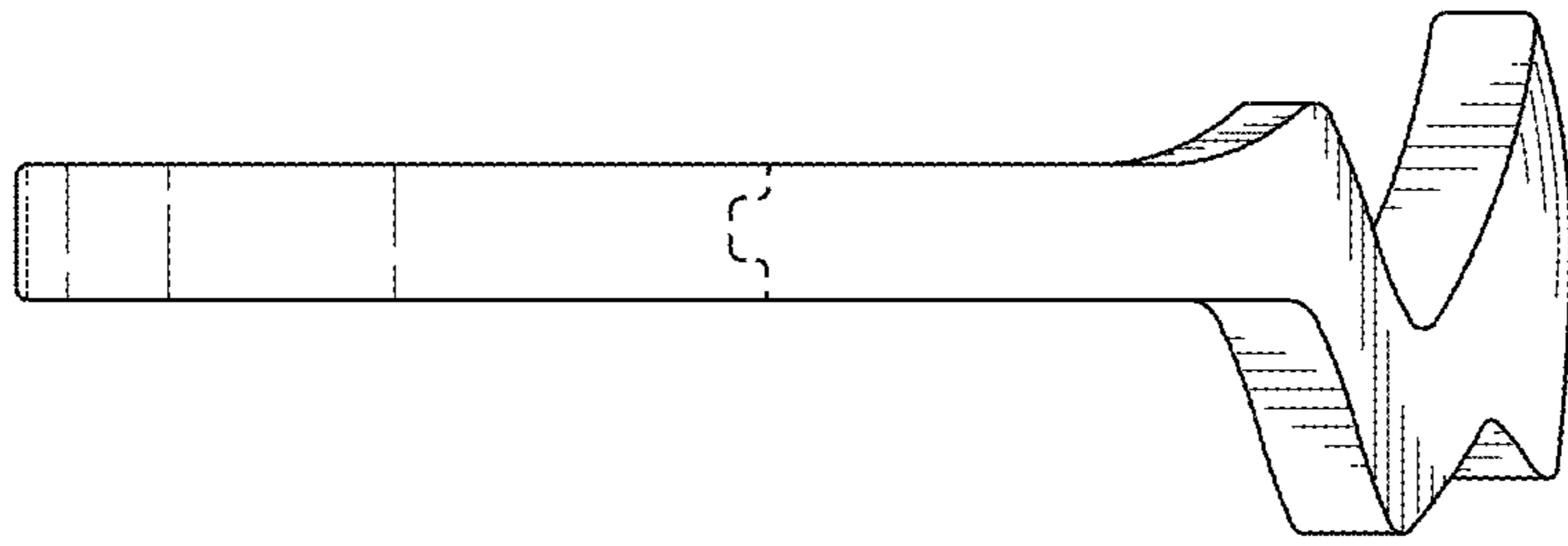


FIG. 7



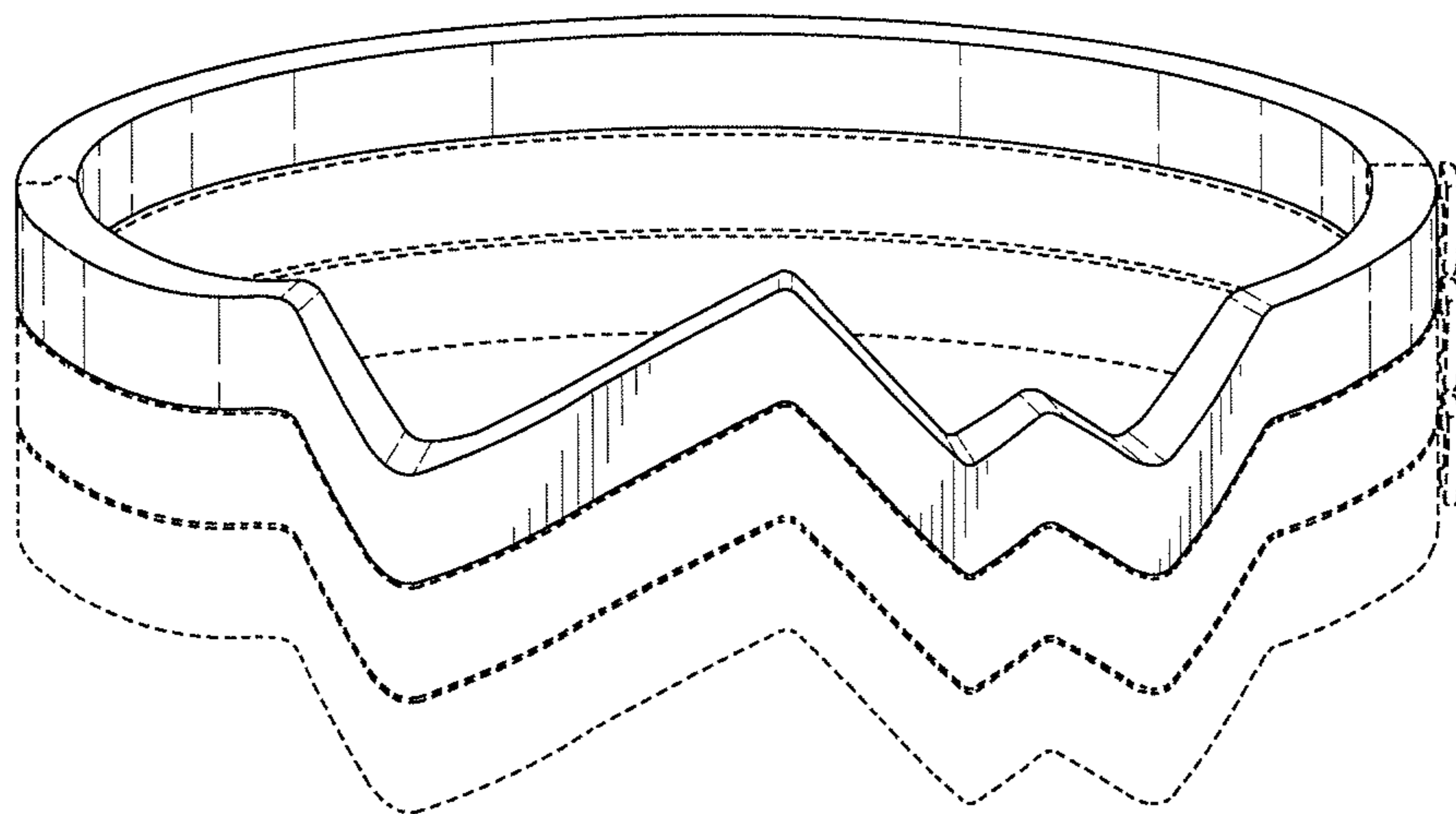


FIG. 8