



US00D830874S

(12) **United States Design Patent** (10) **Patent No.:** **US D830,874 S**
Shames et al. (45) **Date of Patent:** **** Oct. 16, 2018**

(54) **WEARABLE DEVICE**

(71) Applicant: **Embr Labs Inc.**, Newton Center, MA (US)
(72) Inventors: **Samuel Shames**, Cambridge, MA (US); **David Cohen-Tanugi**, Somerville, MA (US); **Gregor Mittersinker**, Providence, RI (US); **Rance Pritchard**, Providence, RI (US); **Christopher J. O'Connell**, Providence, RI (US); **Walmen Dumaliang**, Providence, RI (US)

(73) Assignee: **EMBR Labs Inc.**, Somerville, MA (US)

(**) Term: **15 Years**

(21) Appl. No.: **29/574,277**

(22) Filed: **Aug. 12, 2016**

(51) **LOC (11) Cl.** **10-04**

(52) **U.S. Cl.**
USPC **D10/130**; D10/30; D10/60; D14/344

(58) **Field of Classification Search**
USPC D10/31, 32, 38, 49, 50, 51, 102, 103; D14/344; D13/177
CPC H61F 7/00; H61F 7/02; H61F 2007/0029; H61F 2007/0031; H61F 2007/0034; H61F 2007/0035; H61F 2007/0036; H61F 2007/0075; H61F 2007/0076; H61F 2007/0087; H61F 2007/0088; H61F 2007/0095; H61F 2007/0096; H61F 2007/0225; H61F 2007/0228; H61F 2007/0231; H05B 3/06; H05B 3/08

See application file for complete search history.

(56) **References Cited**

U.S. PATENT DOCUMENTS

D339,755 S *	9/1993	Bonnell	D10/102
8,658,943 B1 *	2/2014	Larsen	A61F 7/02 219/211
D715,758 S *	10/2014	Yun	D14/138 R
D717,261 S *	11/2014	Yun	D14/138 R
9,734,704 B2 *	8/2017	Lee	G08C 17/02

* cited by examiner

Primary Examiner — Antoine Duval Davis
(74) *Attorney, Agent, or Firm* — Wolf, Greenfield & Sacks, P.C.

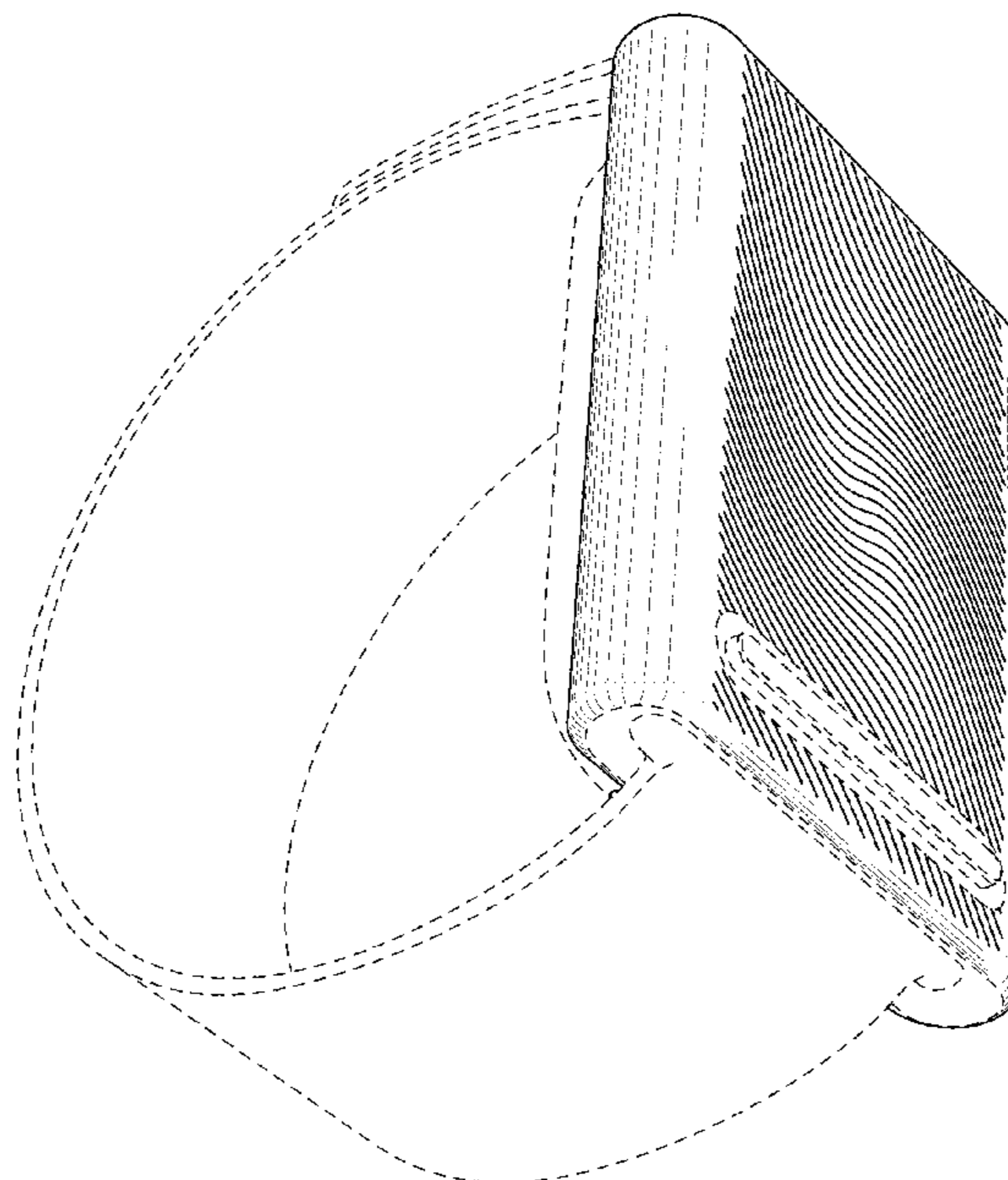
(57) **CLAIM**

The ornamental design for a wearable device, as shown and described.

DESCRIPTION

FIG. 1 is a bottom, front, left side perspective view of a wearable device showing a first embodiment of our new design;
FIG. 2 is a front elevation view thereof;
FIG. 3 is a rear elevation view thereof;
FIG. 4 is a left side elevation view thereof;
FIG. 5 is a right side elevation view thereof;
FIG. 6 is a top plan view thereof;
FIG. 7 is a bottom plan view thereof; and,
FIG. 8 is a bottom, rear, left side perspective view thereof. The dash-dash broken lines represent portions of the wearable device that form no part of the claimed design. The dot-dash broken lines represent boundaries of the claimed design and form no part of the claimed design.

1 Claim, 7 Drawing Sheets



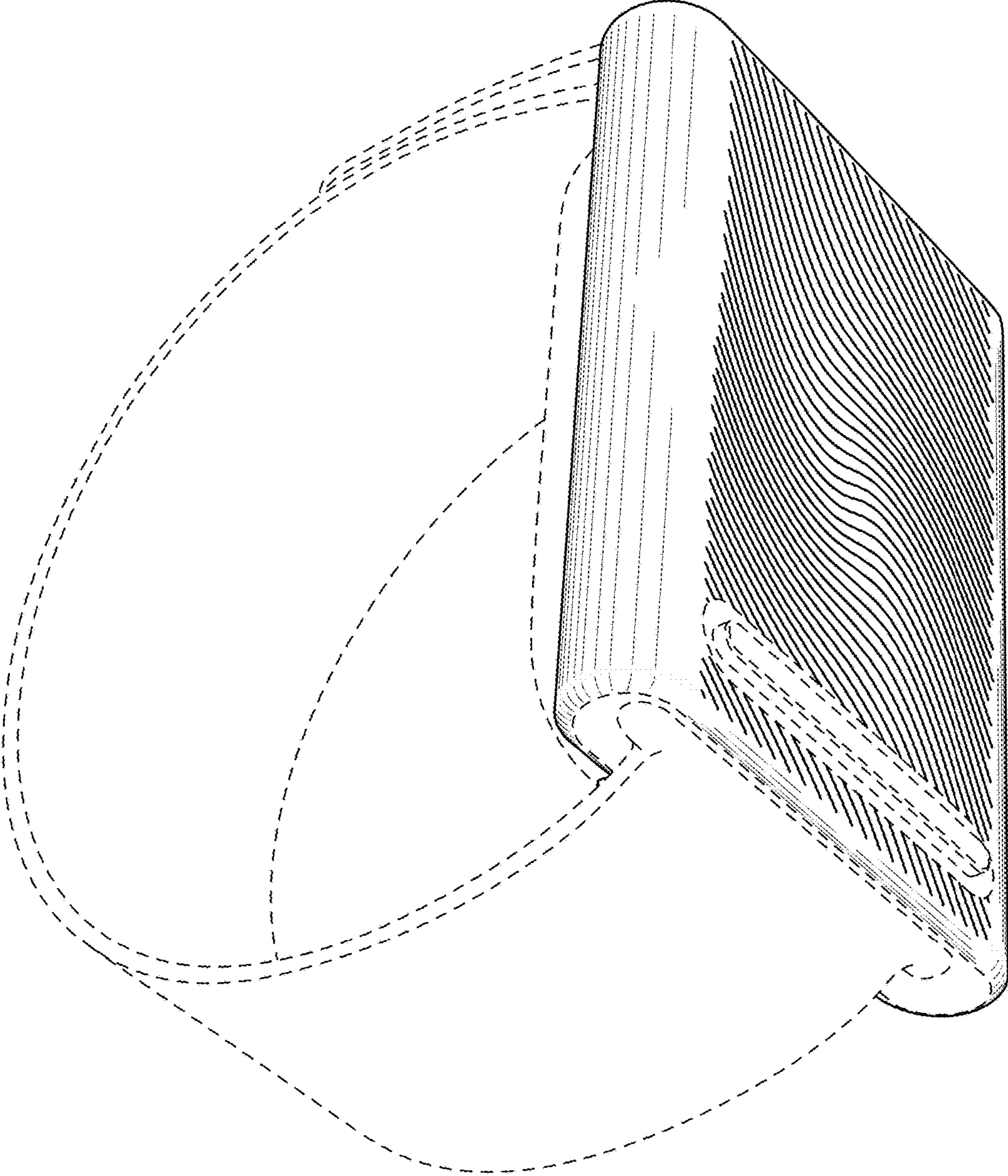


FIG. 1

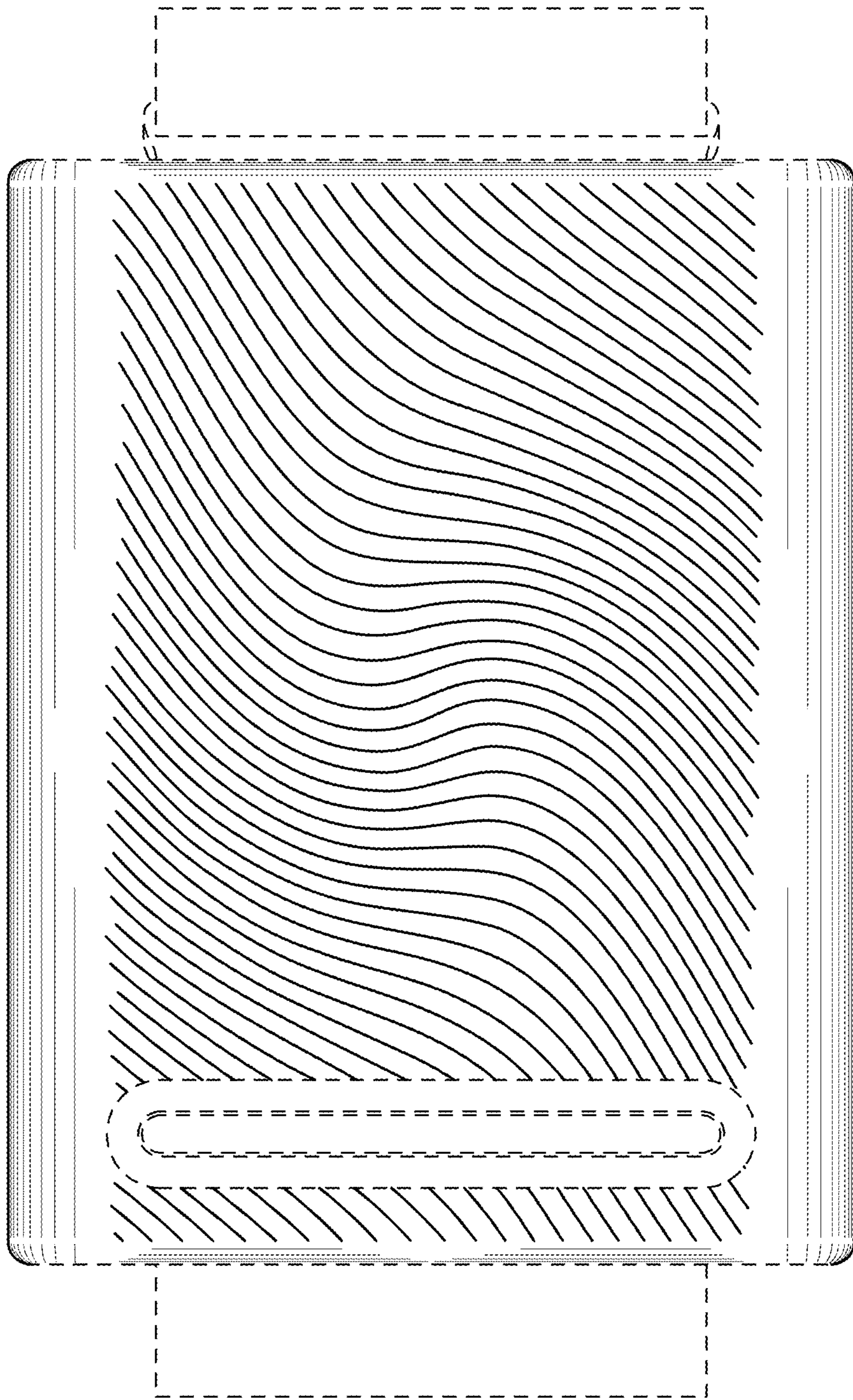


FIG. 2

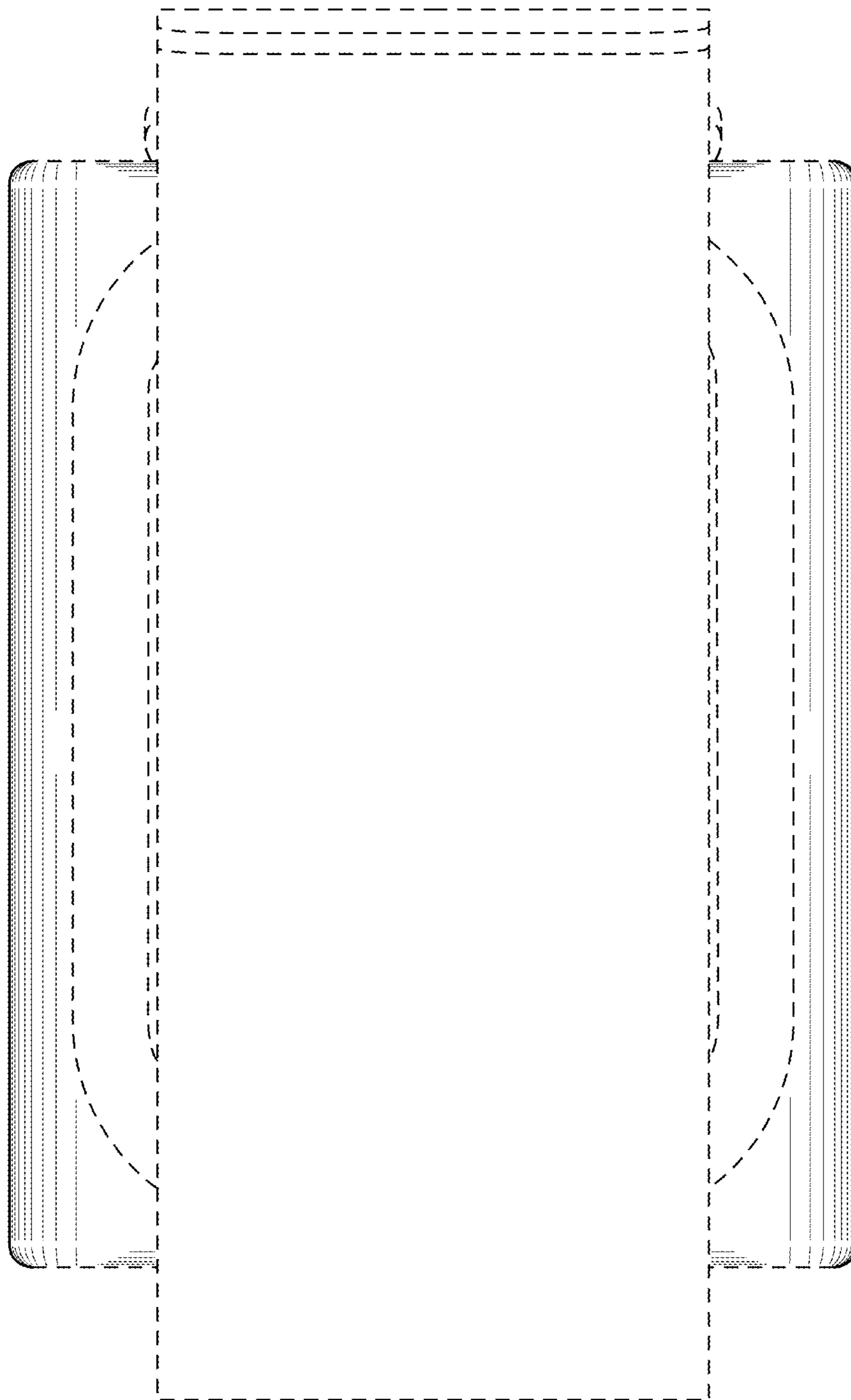


FIG. 3

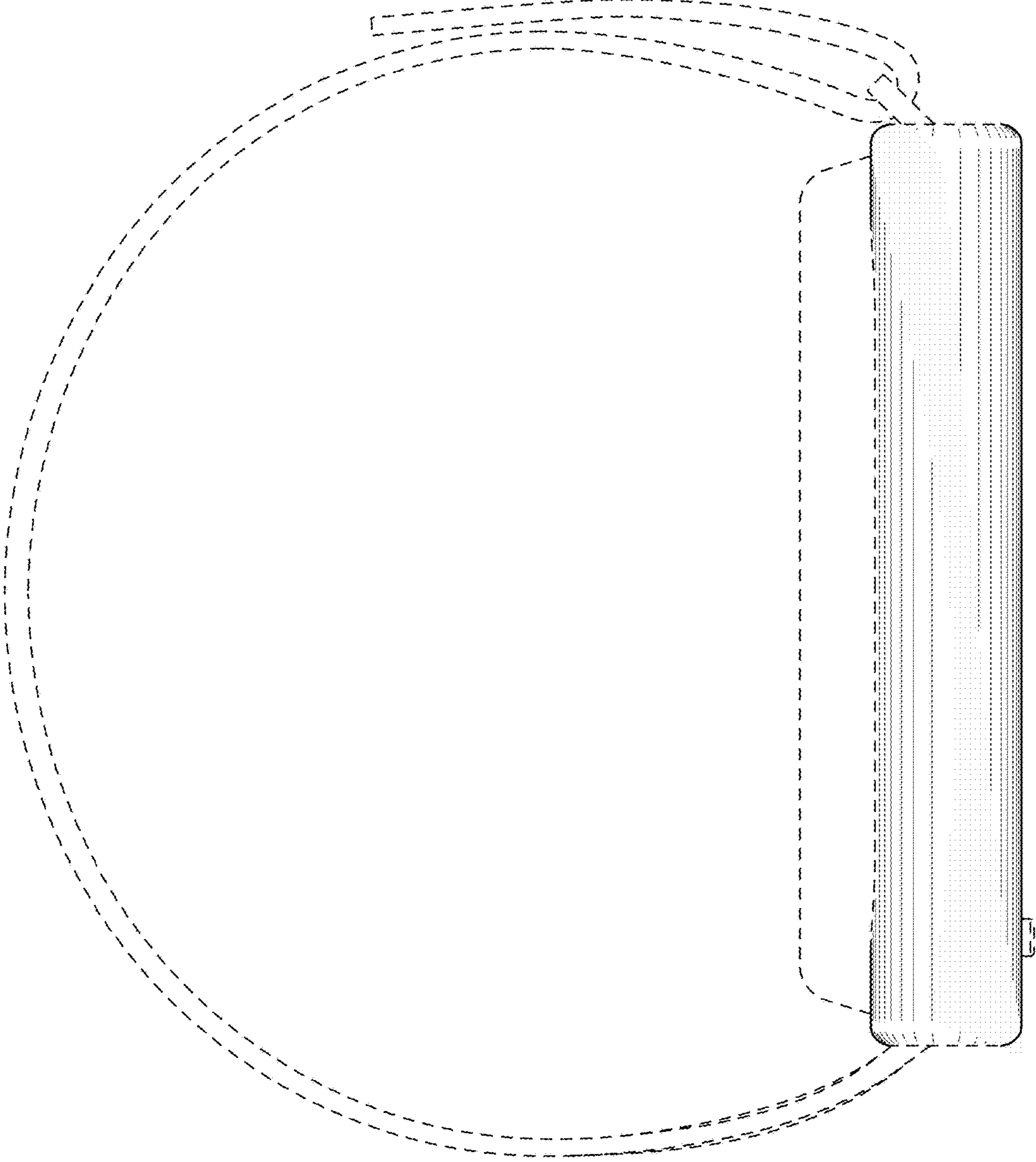


FIG. 4

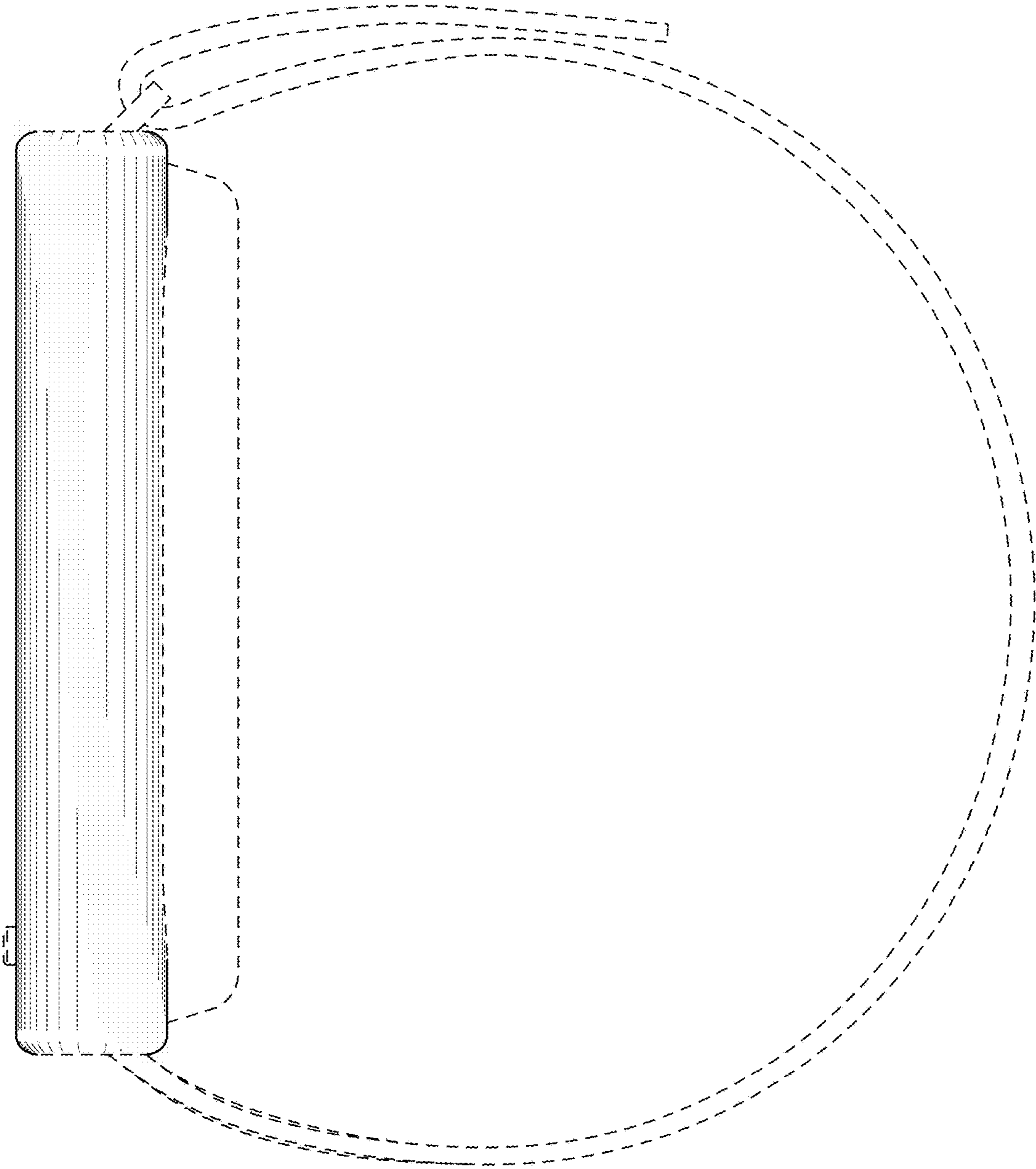


FIG. 5

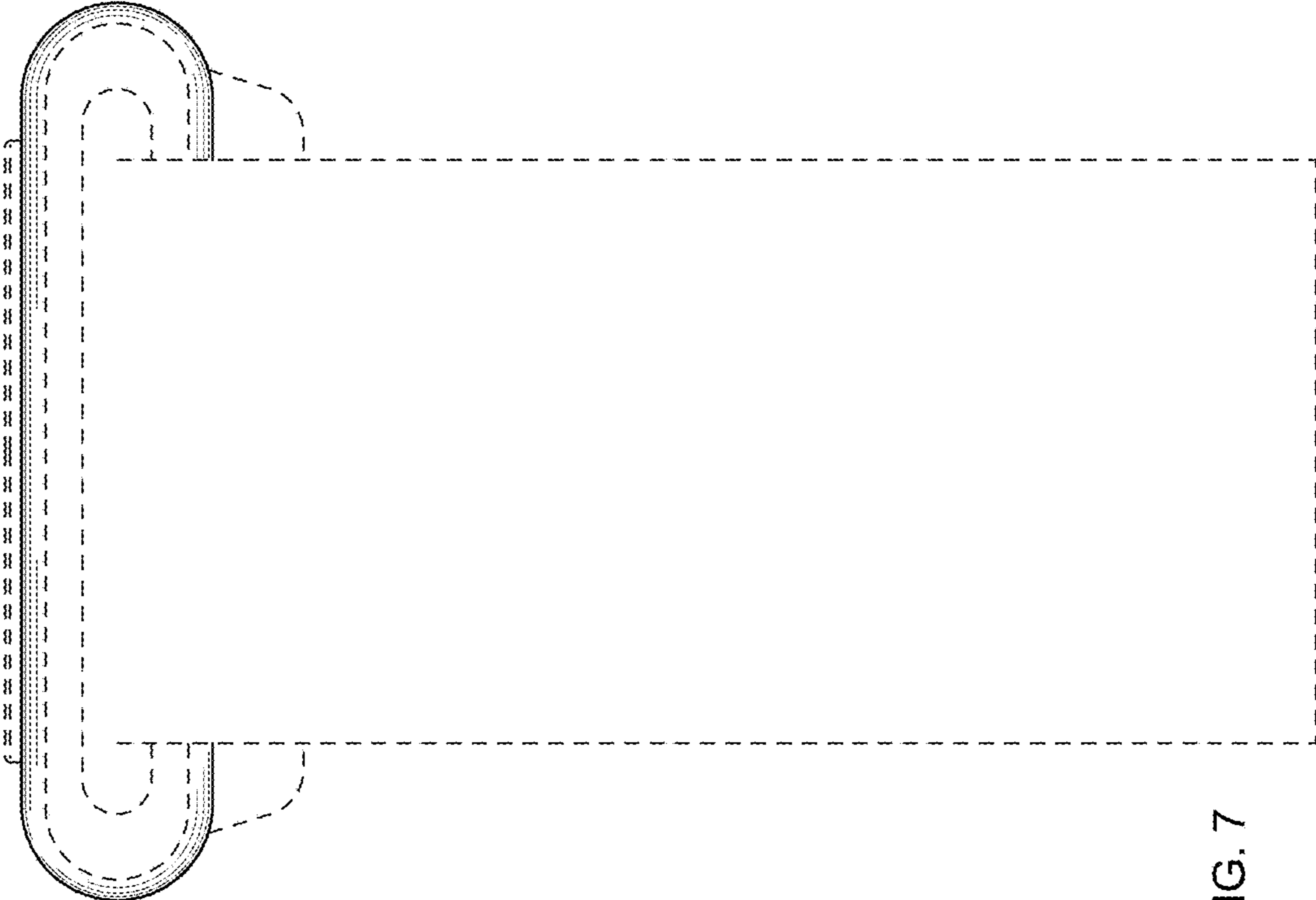


FIG. 6

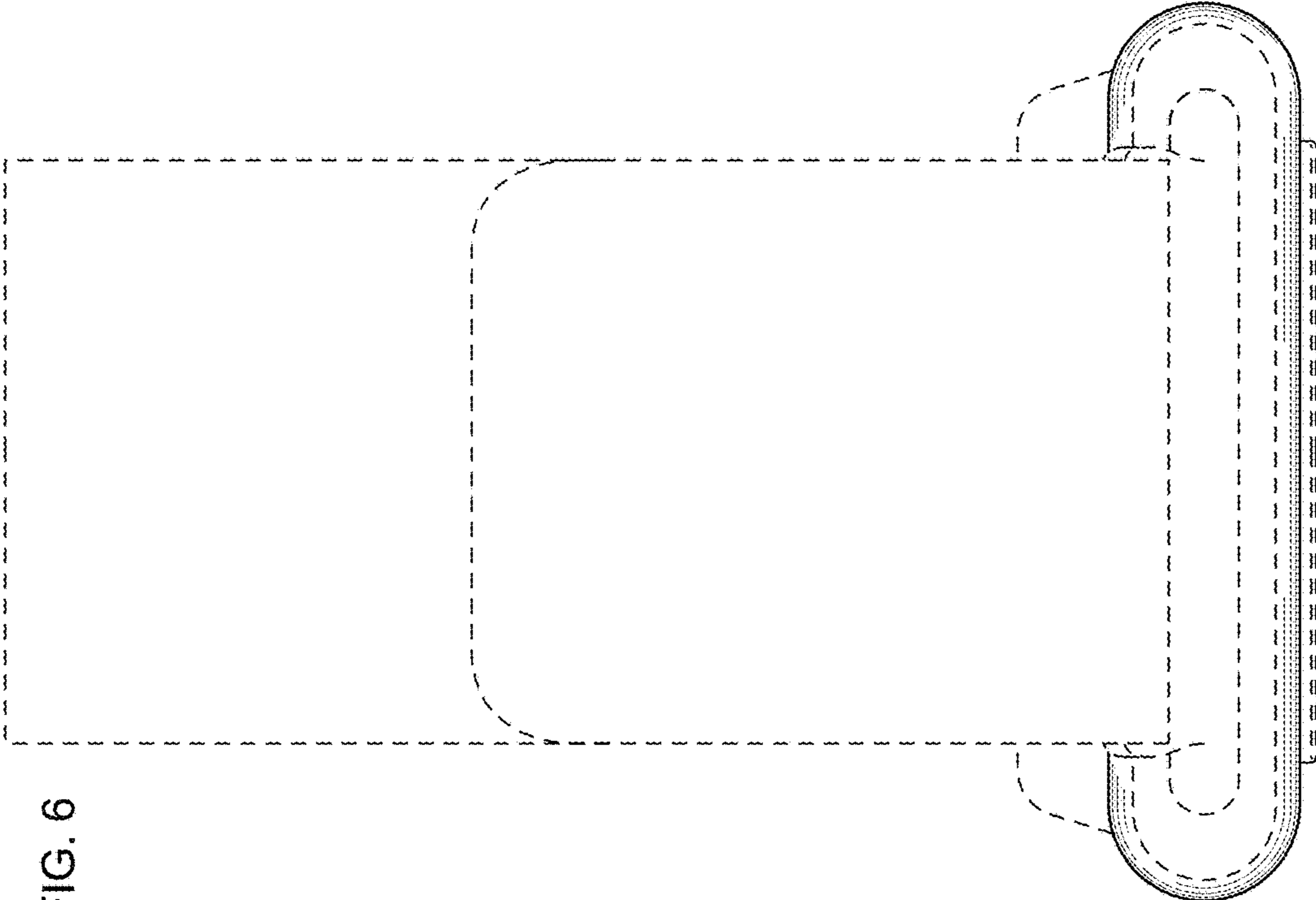


FIG. 7

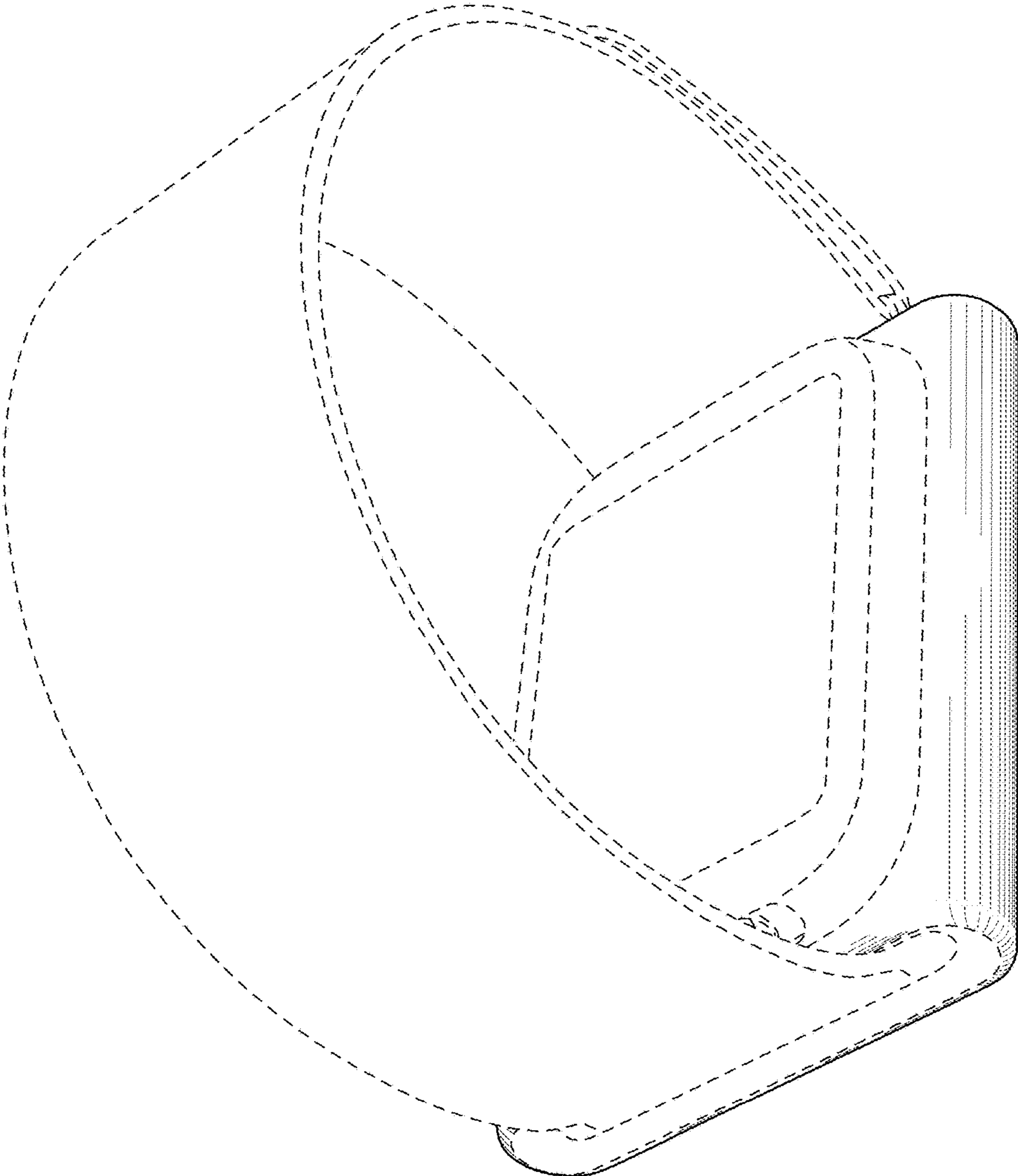


FIG. 8