

US00D830869S

(12) **United States Design Patent** (10) **Patent No.:** **US D830,869 S**
Siminoff et al. (45) **Date of Patent:** **** Oct. 16, 2018**

(54) **HUB**

(71) Applicant: **Ring Inc.**, Santa Monica, CA (US)

(72) Inventors: **Mark Siminoff**, Mountain View, CA (US); **Peter Gerstberger**, Laguna Niguel, CA (US); **Spiro Sacre**, Los Angeles, CA (US); **Christopher Loew**, Palo Alto, CA (US); **Andrew L. Russell**, Philadelphia, PA (US); **James Siminoff**, Pacific Palisades, CA (US)

(73) Assignee: **Amazon Technologies, Inc.**, Seattle, WA (US)

(**) Term: **15 Years**

(21) Appl. No.: **29/617,865**

(22) Filed: **Sep. 15, 2017**

(51) **LOC (11) Cl.** **10-05**

(52) **U.S. Cl.**
USPC **D10/106.1**

(58) **Field of Classification Search**
USPC D10/104.1, 104.2, 105, 106.1, 106.2, D10/106.3, 106.4, 106.5, 106.6, 106.7, D10/106.8, 106.9, 106.91, 106.92, 106.93, D10/106.94, 106.95, 107, 108, 109.1, D10/109.2, 110, 111, 112, 113.1, 113.2, D10/113.3, 113.4, 114.1, 114.2, 114.3, D10/114.4, 114.5, 114.6, 114.7, 114.8, D10/114.9, 115, 116.1, 117, 118, 118.1, D10/118.2, 119.1, 119.2, 119.3, 119.4, D10/120, 121; D14/242, 240, 355, 357, D14/358, 125, 140, 140.9, 155, 137, 139, D14/243, 239, 433, 314, 496, 188, 348, D14/351, 356
CPC H04L 12/00; H03K 17/00; H04W 88/00; H04W 88/12; H04W 88/005; H04W 88/085; H04W 88/10; H04W 88/14; H04B 1/38

See application file for complete search history.

(56) **References Cited**

U.S. PATENT DOCUMENTS

D530,316 S * 10/2006 Hsu D14/240
D596,626 S * 7/2009 Andre D14/240
D598,013 S * 8/2009 Ju D14/240
D598,375 S * 8/2009 Nomi D13/108
D616,875 S * 6/2010 Oh D14/188
D635,940 S * 4/2011 Cho D14/125

(Continued)

OTHER PUBLICATIONS

“NPL 1,” available May 24, 2018, [online], [site visited May 24, 2018]. Available from Internet, URL: [https://shop.ring.com/products/ alarm-indoor-security-kit?variant=56549618187](https://shop.ring.com/products/alarm-indoor-security-kit?variant=56549618187)> (Year: 2018).*

(Continued)

Primary Examiner — Cathron C Brooks

Assistant Examiner — Katrina N Gonzalez

(74) *Attorney, Agent, or Firm* — Lathrop Gage LLP

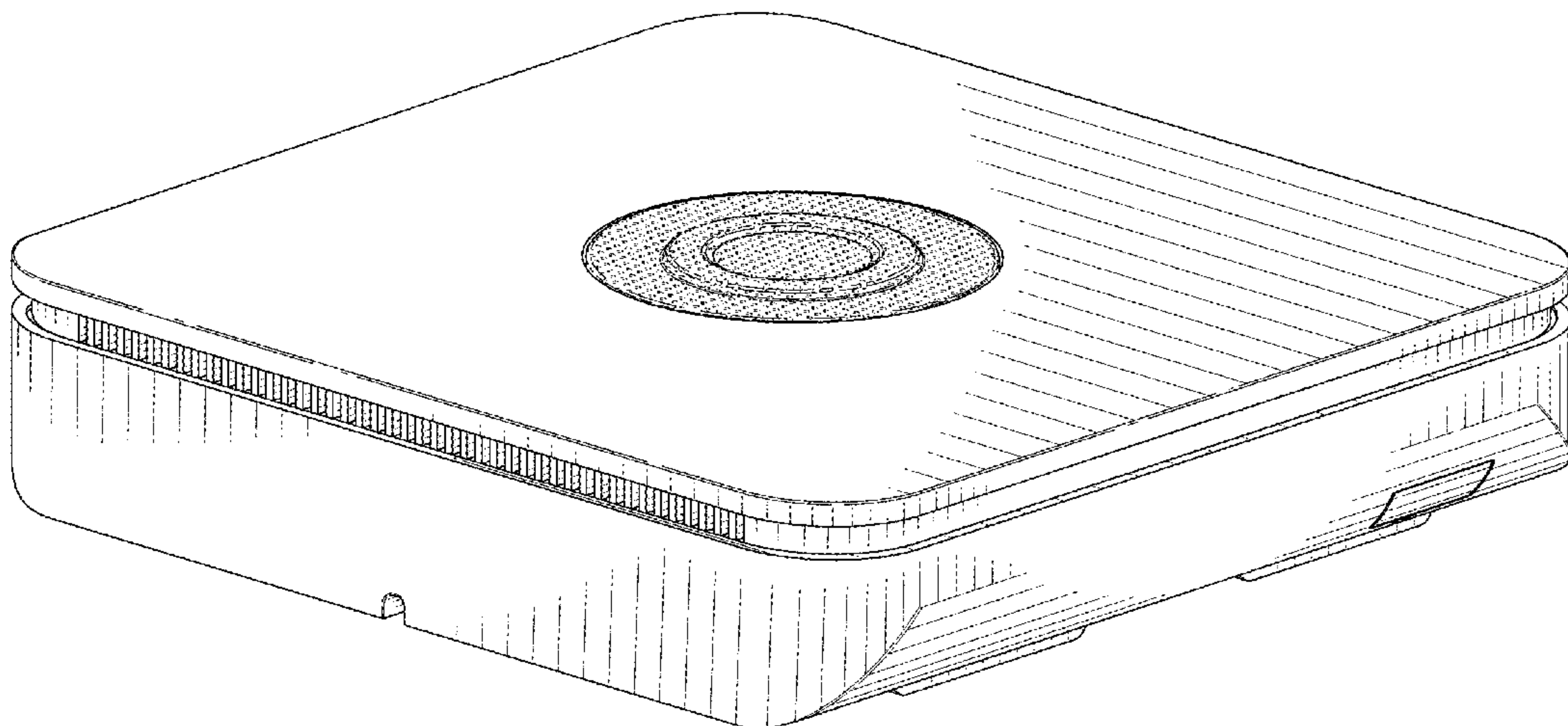
(57) **CLAIM**

The ornamental design for a hub, as shown and described.

DESCRIPTION

FIG. 1 is a front perspective view of the hub according to the present design;
FIG. 2 is a front elevational view of the hub of FIG. 1;
FIG. 3 is a rear elevational view of the hub of FIG. 1;
FIG. 4 is a left-side elevational view of the hub of FIG. 1;
FIG. 5 is a right-side elevational view of the hub of FIG. 1;
FIG. 6 is a top plan view of the hub of FIG. 1; and,
FIG. 7 is a bottom plan view of the hub of FIG. 1.
The broken line showing in the figures illustrates portions of the hub that form no part of the claimed design.

1 Claim, 4 Drawing Sheets



(56)

References Cited

U.S. PATENT DOCUMENTS

D641,740 S * 7/2011 Jeon D14/140.6
 D650,377 S * 12/2011 Akana D14/314
 D660,834 S * 5/2012 Akana D14/314
 D662,904 S * 7/2012 Wu D14/125
 D664,130 S * 7/2012 Lee D14/240
 D686,201 S * 7/2013 Lee D14/314
 D694,753 S * 12/2013 McManigal D14/368
 D695,727 S * 12/2013 Shimizu D14/240
 D705,748 S * 5/2014 He D14/155
 D706,249 S * 6/2014 Holzer D14/240
 D709,255 S * 7/2014 Wang D32/21
 D719,561 S * 12/2014 Akana D14/314
 D720,347 S * 12/2014 Lo D14/348
 D738,755 S * 9/2015 Druce D10/50
 D743,962 S * 11/2015 Ikeda D14/348
 D752,529 S * 3/2016 Loretan D14/125
 D756,338 S * 5/2016 Jou D14/242
 D765,140 S * 8/2016 Peng D14/496
 D777,724 S * 1/2017 Sterzick D14/348
 D780,137 S * 2/2017 Tallqvist D14/125
 D780,605 S * 3/2017 Chen D10/49
 D781,257 S * 3/2017 Moon D14/125
 D781,796 S * 3/2017 Sibley D14/125
 D783,619 S * 4/2017 Couture D14/433
 D784,971 S * 4/2017 Naslund D14/242
 D789,352 S * 6/2017 Kong D14/314
 D797,095 S * 9/2017 Delpier D14/314
 D797,099 S * 9/2017 Wieser D14/300

D797,100 S * 9/2017 Wieser D14/358
 D797,101 S * 9/2017 Wieser D14/358
 D798,860 S * 10/2017 Wieser D14/358
 D809,493 S * 2/2018 Konotopskyi D14/242
 D811,355 S * 2/2018 Lan D14/125
 D816,070 S * 4/2018 Marzynski D14/240

OTHER PUBLICATIONS

“NPL 2,” available Jan. 15, 2018, [online], [site visited May 24, 2018]. Available from Internet, URL:<https://www.androidcentral.com/nest-secure-vs-ring-alarm-which-diy-security-system-best>> (Year: 2018).*

“NPL 3,” available Nov. 5, 2017, [online], [site visited May 24, 2018]. Available from Internet, URL:<https://www.digitaltrends.com/home/ring-protect/>> (Year: 2017).*

“NPL 4,” available Oct. 2, 2017, [online], [site visited May 24, 2018]. Available from Internet, URL:<https://www.theverge.com/circuitbreaker/2017/10/2/16384436/ring-protect-home-security-system-announced>> (Year: 2017).*

“NPL 5,” available Oct. 2, 2017, [online], [site visited May 24, 2018]. Available from Internet, URL:<https://www.slashgear.com/ring-protect-vs-nest-secure-home-alarm-showdown-02502425/>> (Year: 2017).*

“NPL 6,” available Mar. 7, 2018, [online], [site visited May 24, 2018]. Available from Internet, URL:<https://homealarmreport.com/ring-camera-review/>> (Year: 2018).*

* cited by examiner

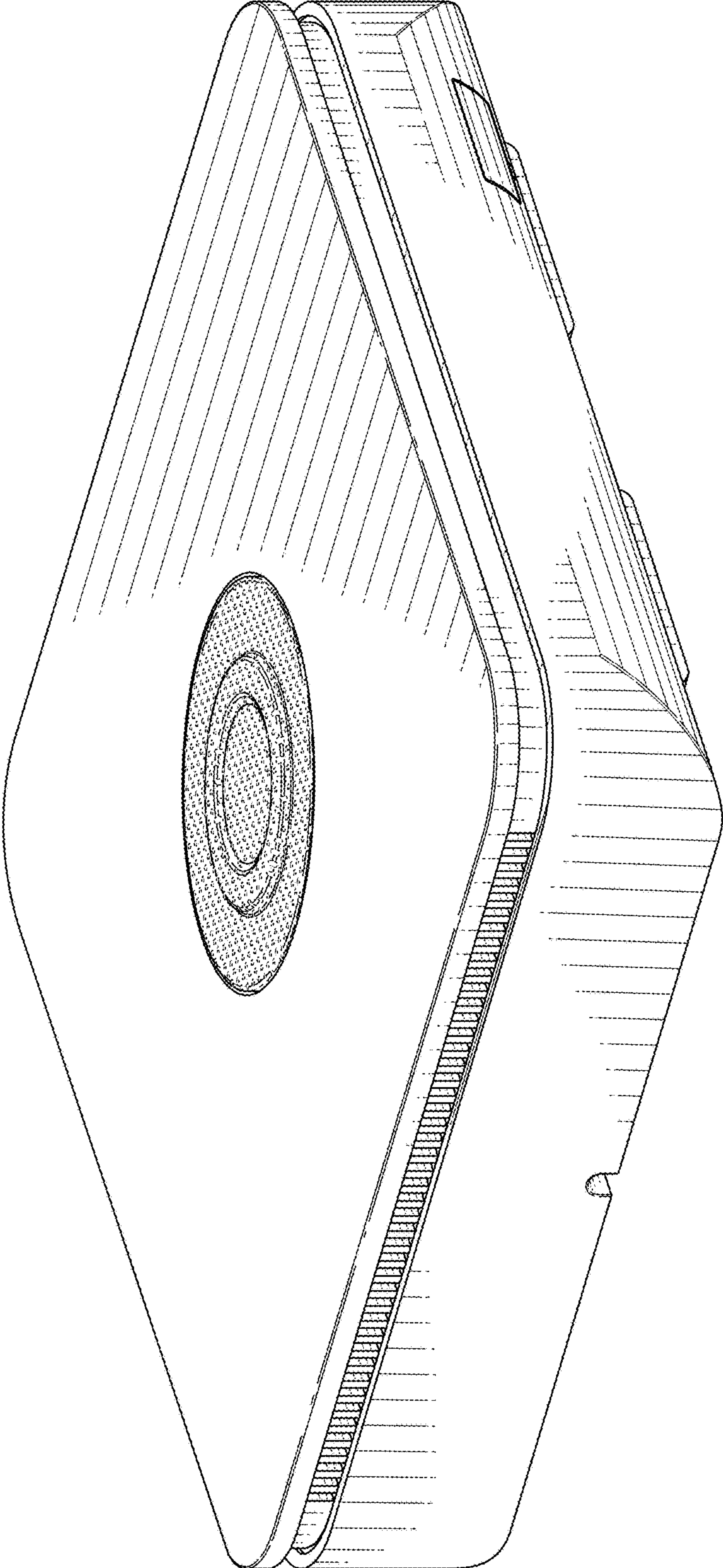


FIG. 1

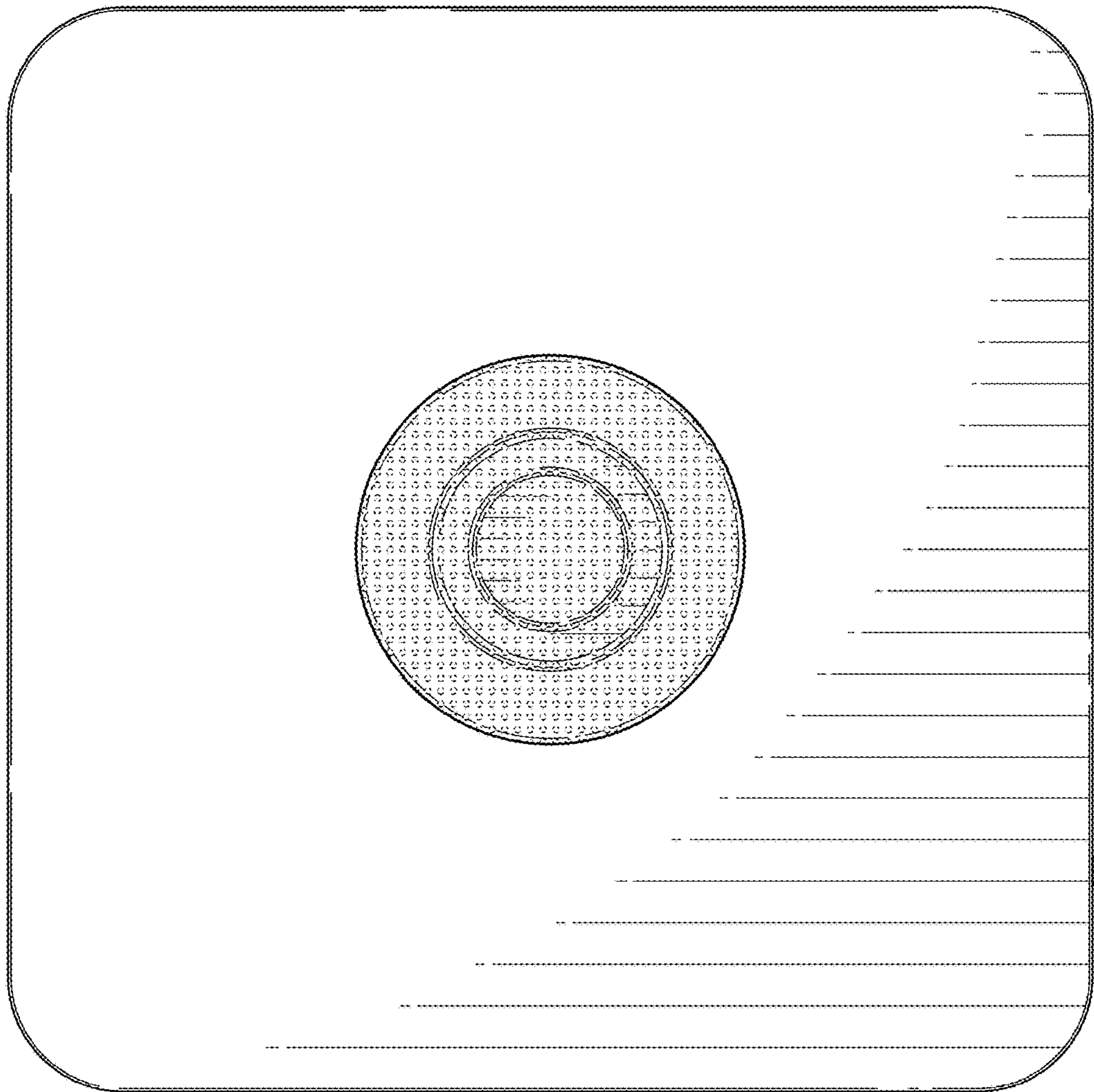


FIG. 2

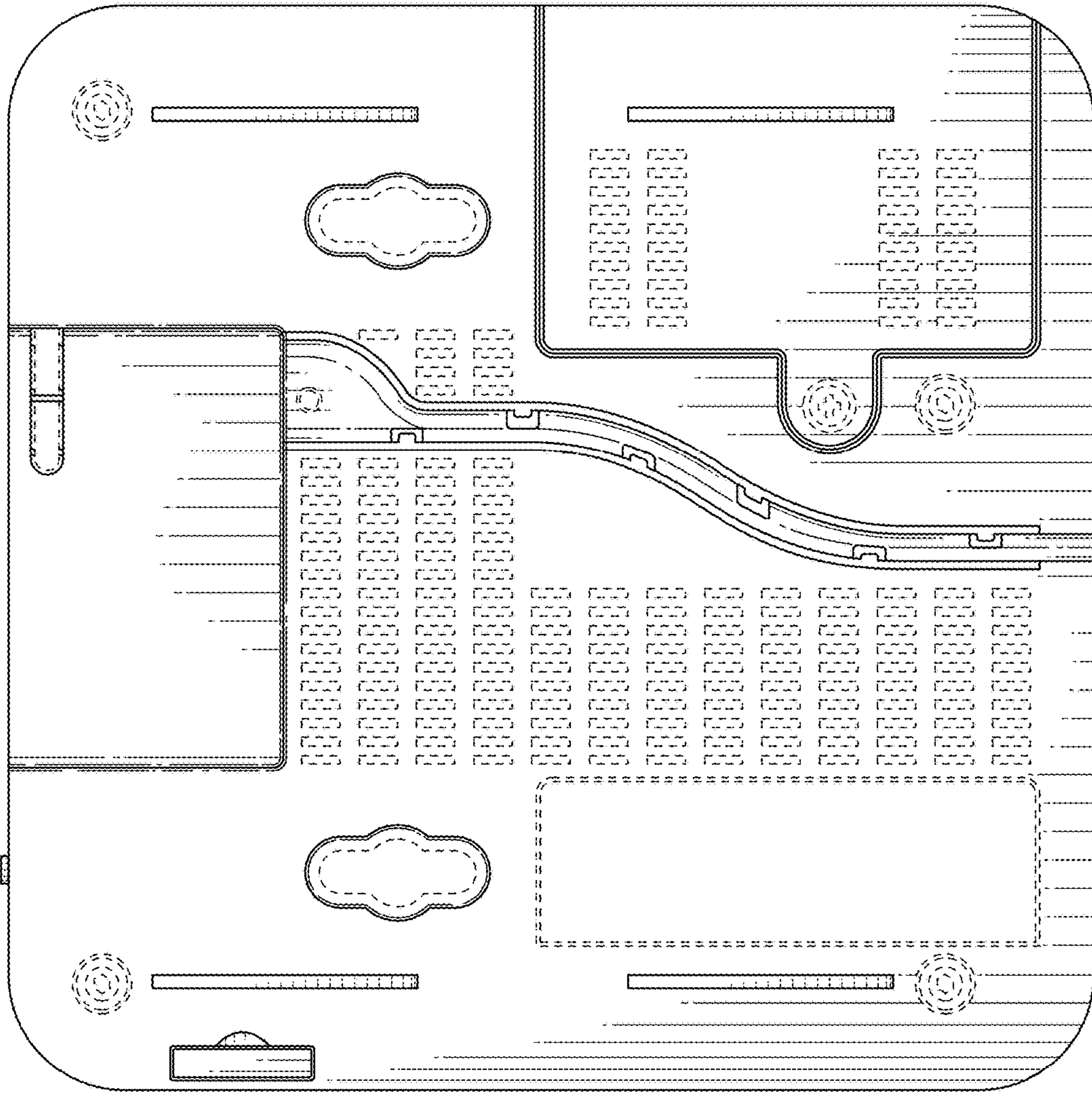


FIG. 3

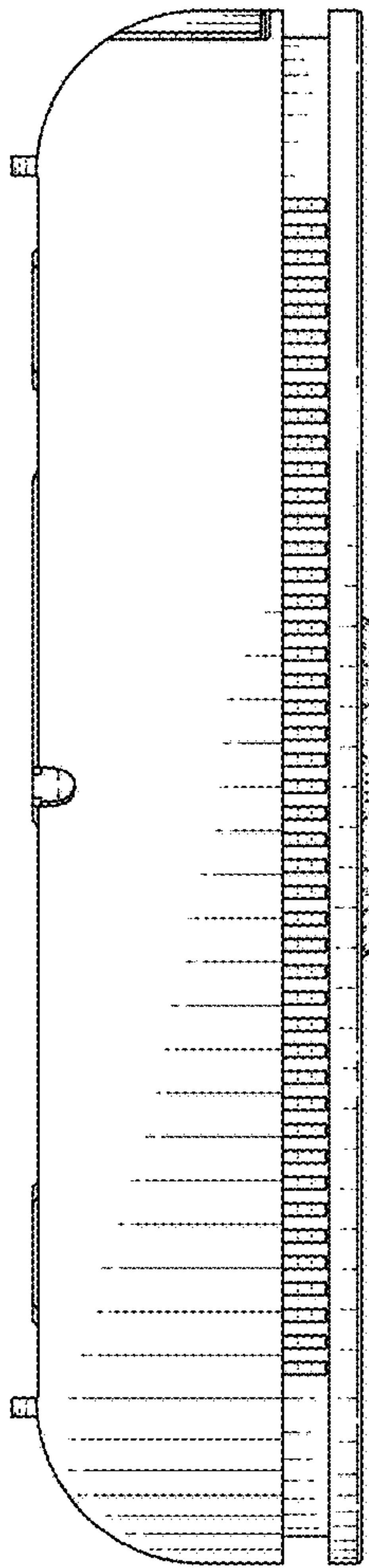


FIG. 4

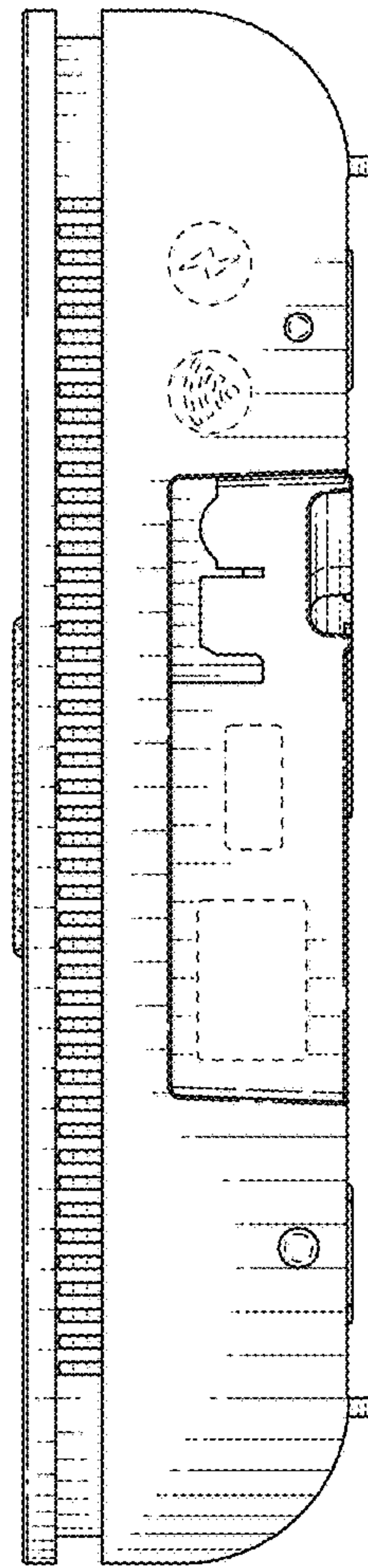


FIG. 5

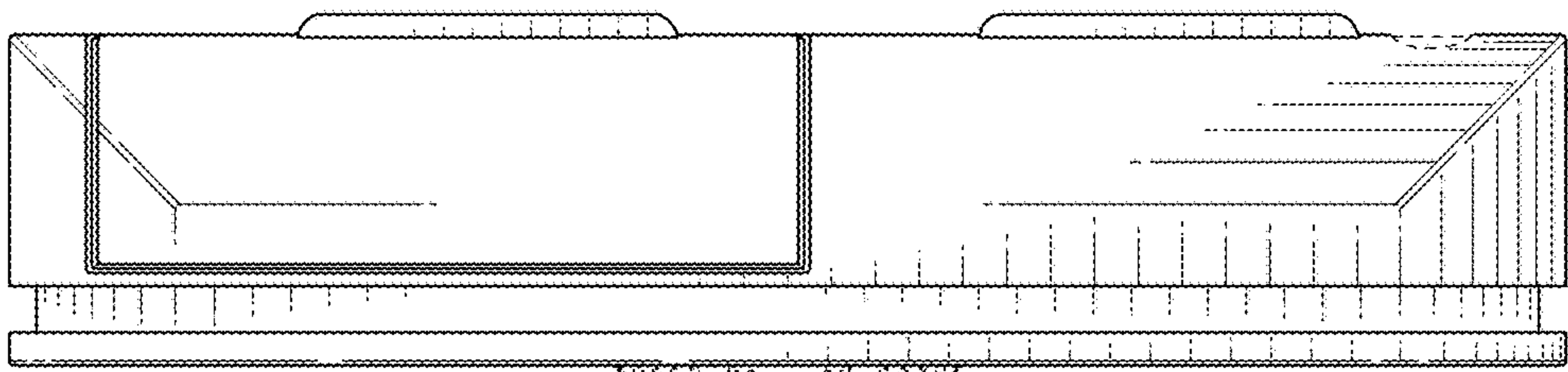


FIG. 6

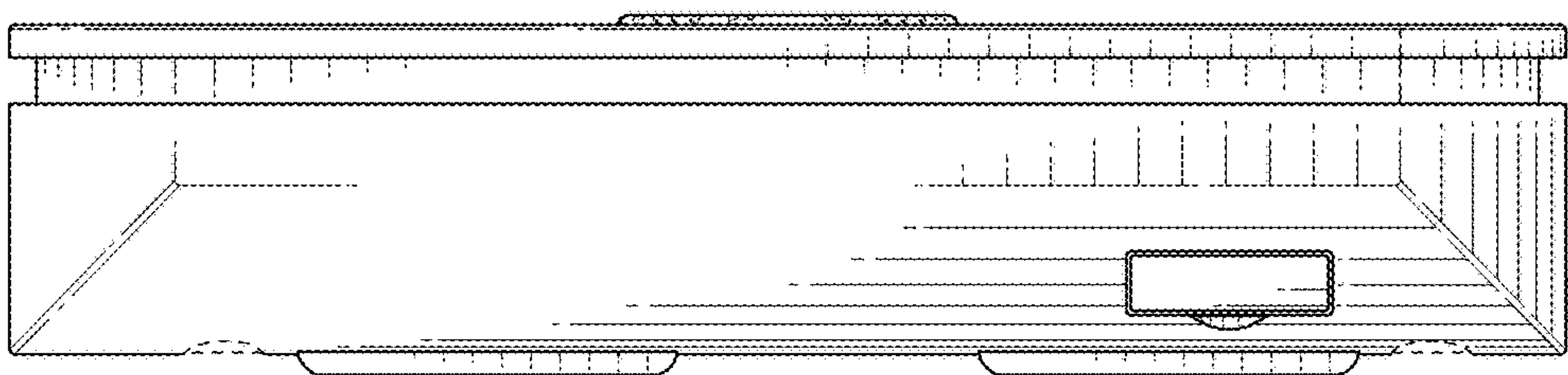


FIG. 7