



US00D830868S

(12) **United States Design Patent** (10) **Patent No.:** **US D830,868 S**  
**Kress et al.** (45) **Date of Patent:** **\*\* Oct. 16, 2018**

(54) **TERMINAL FOR A WEIGHING DEVICE**

(71) Applicant: **Mettler-Toledo GmbH**, Greifensee (CH)

(72) Inventors: **David Kress**, Uster (CH); **Daniel Mock**, Oberengstringen (CH)

(73) Assignee: **Mettler-Toledo GmbH**, Greifensee (CH)

(\*\*) Term: **15 Years**

(21) Appl. No.: **29/609,241**

(22) Filed: **Jun. 29, 2017**

(30) **Foreign Application Priority Data**

Jan. 12, 2017 (EM) ..... 003620533

(51) **LOC (11) Cl.** ..... **10-04**

(52) **U.S. Cl.**  
USPC ..... **D10/87**; D10/49; D10/75; D13/163

(58) **Field of Classification Search**  
USPC ..... D10/49, 75, 87, 88, 91, 94; D13/162, D13/162.1, 163  
CPC ..... G01G 19/38; G01G 19/382; G01G 21/28; G01G 21/286; G01G 23/18; G01G 23/20; G01G 23/36; G01G 23/37; G01G 23/3707; G01G 23/3735

See application file for complete search history.

(56) **References Cited**

U.S. PATENT DOCUMENTS

D278,041 S *	3/1985	Clarke	.....	D10/46
D363,741 S *	10/1995	Leff	.....	D13/162
D411,118 S *	6/1999	Couch	.....	D10/47
D411,468 S *	6/1999	Couch	.....	D10/47
D412,125 S *	7/1999	Couch	.....	D10/47
D672,672 S *	12/2012	Mueller	.....	D10/103
D686,095 S *	7/2013	Matsumiya	.....	D10/49

\* cited by examiner

*Primary Examiner* — Antoine Duval Davis

(74) *Attorney, Agent, or Firm* — Standley Law Group LLP

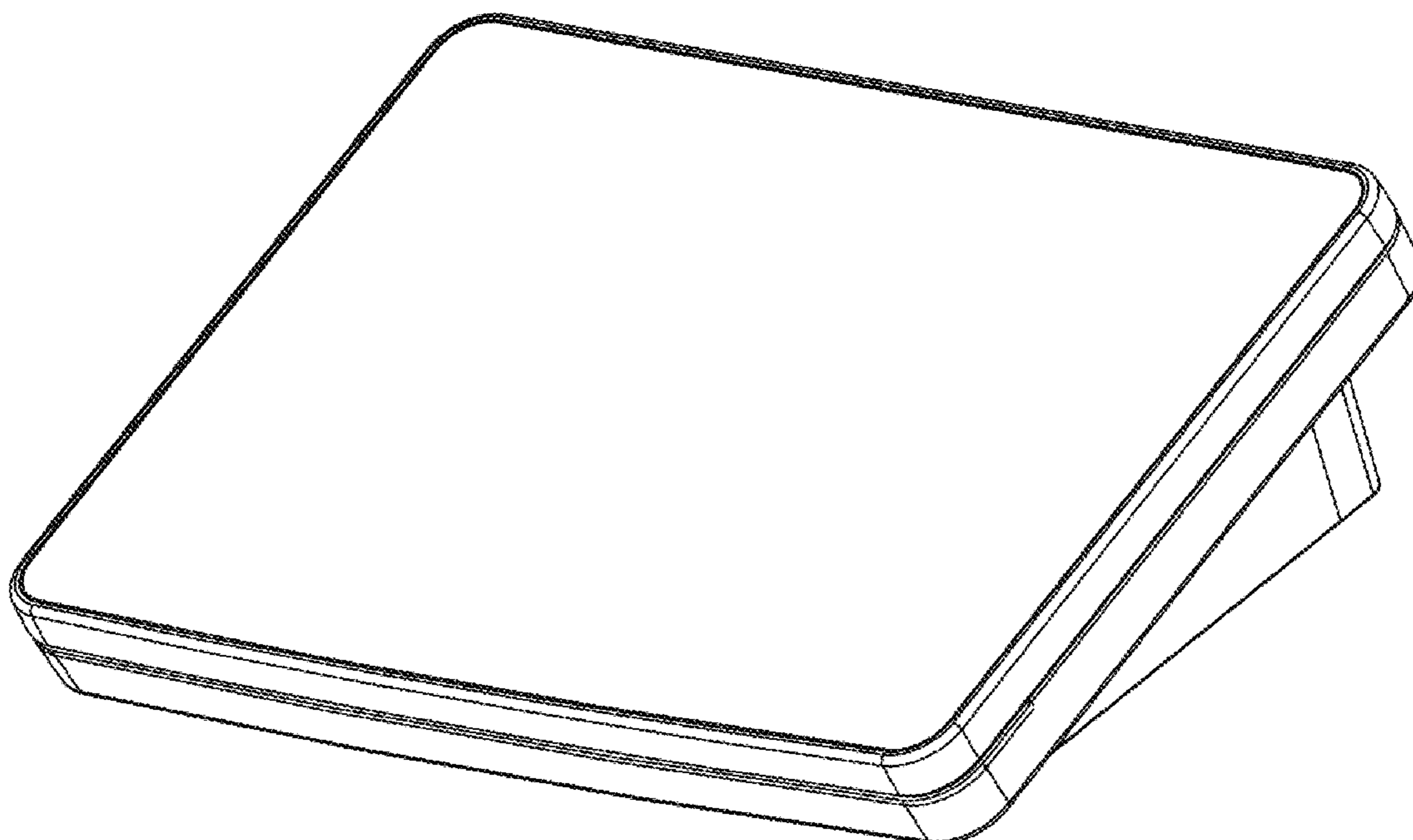
(57) **CLAIM**

The ornamental design for a terminal for a weighing device, as shown and described.

**DESCRIPTION**

FIG. 1 is a front perspective view of a terminal for a weighing device;  
FIG. 2 is a left-side elevation view thereof;  
FIG. 3 is a top plan view thereof;  
FIG. 4 is a right-side elevation view thereof;  
FIG. 5 is a bottom plan view thereof;  
FIG. 6 is a front elevation view thereof; and,  
FIG. 7 is a rear elevation view thereof.

**1 Claim, 7 Drawing Sheets**



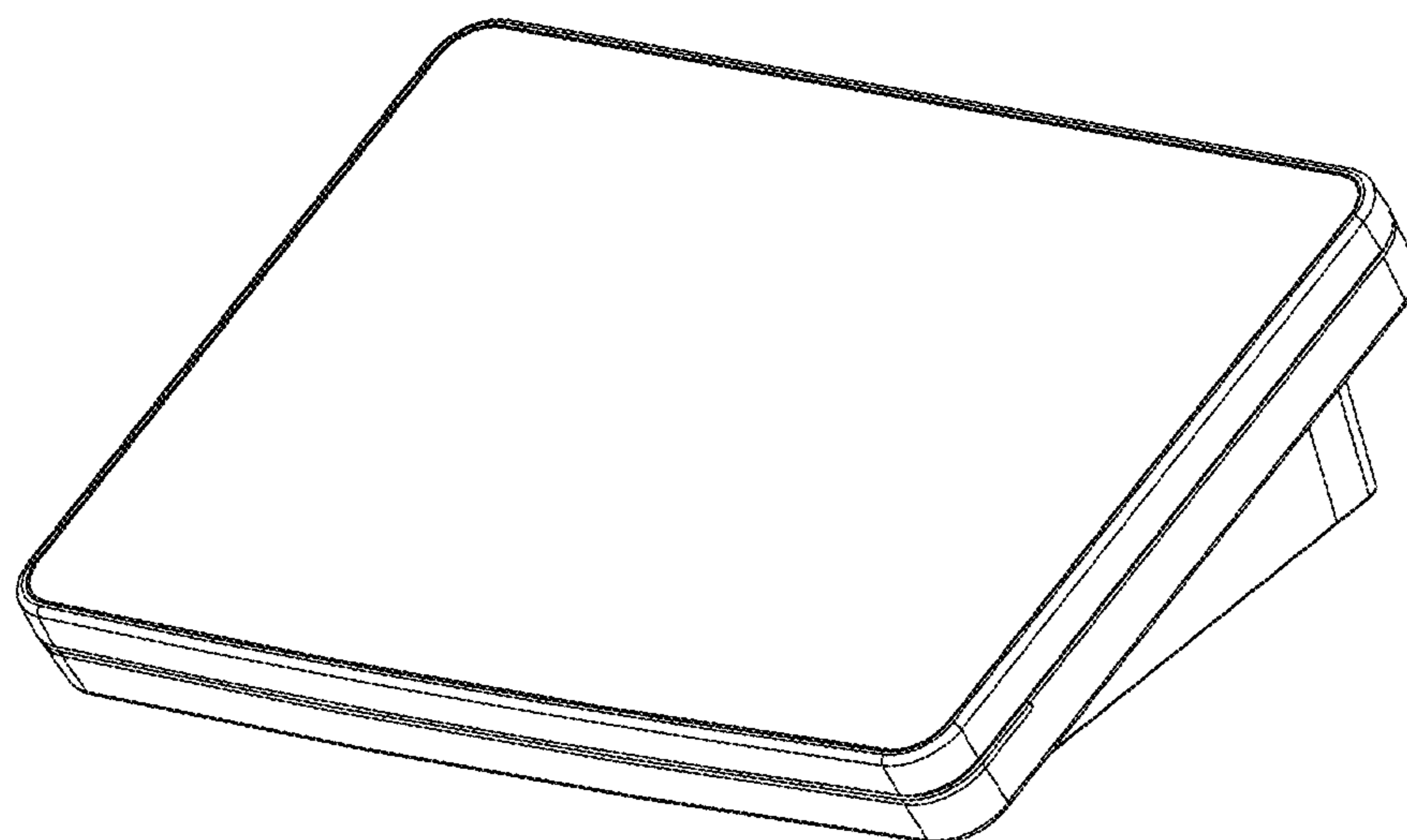


FIG. 1

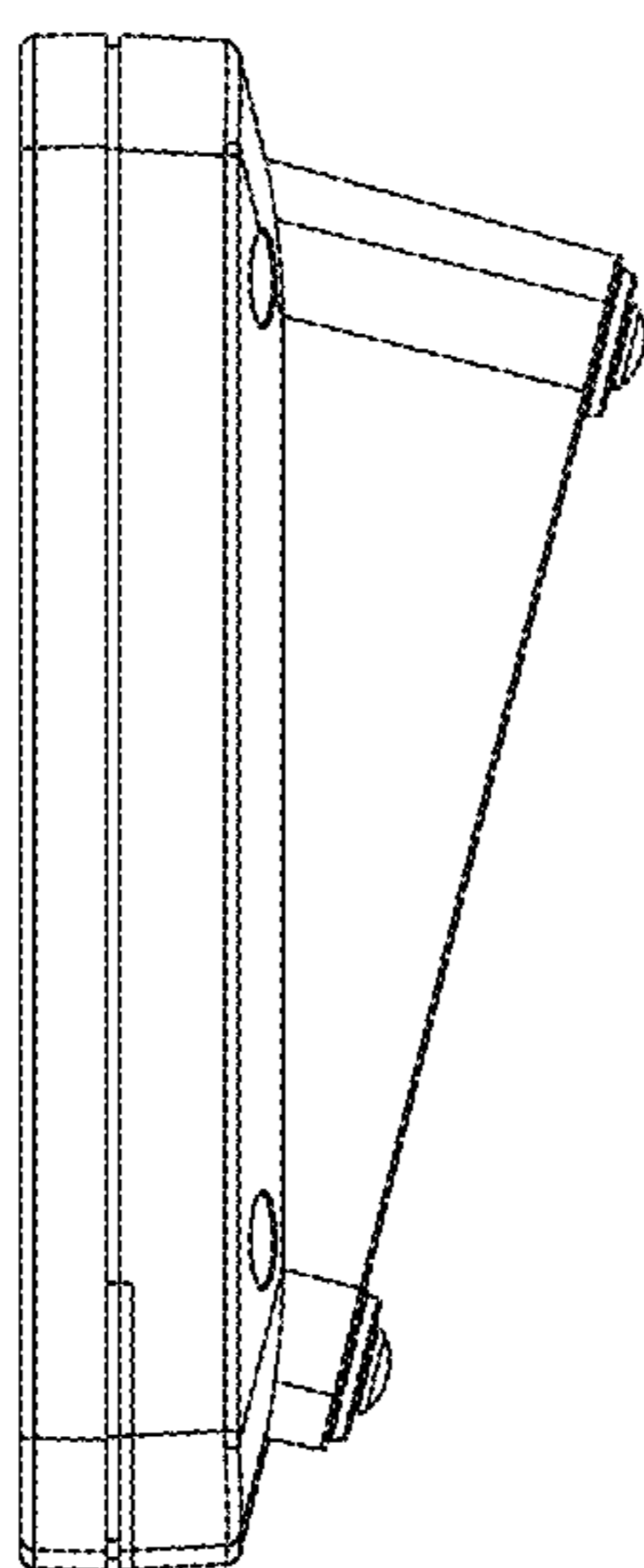


FIG. 2

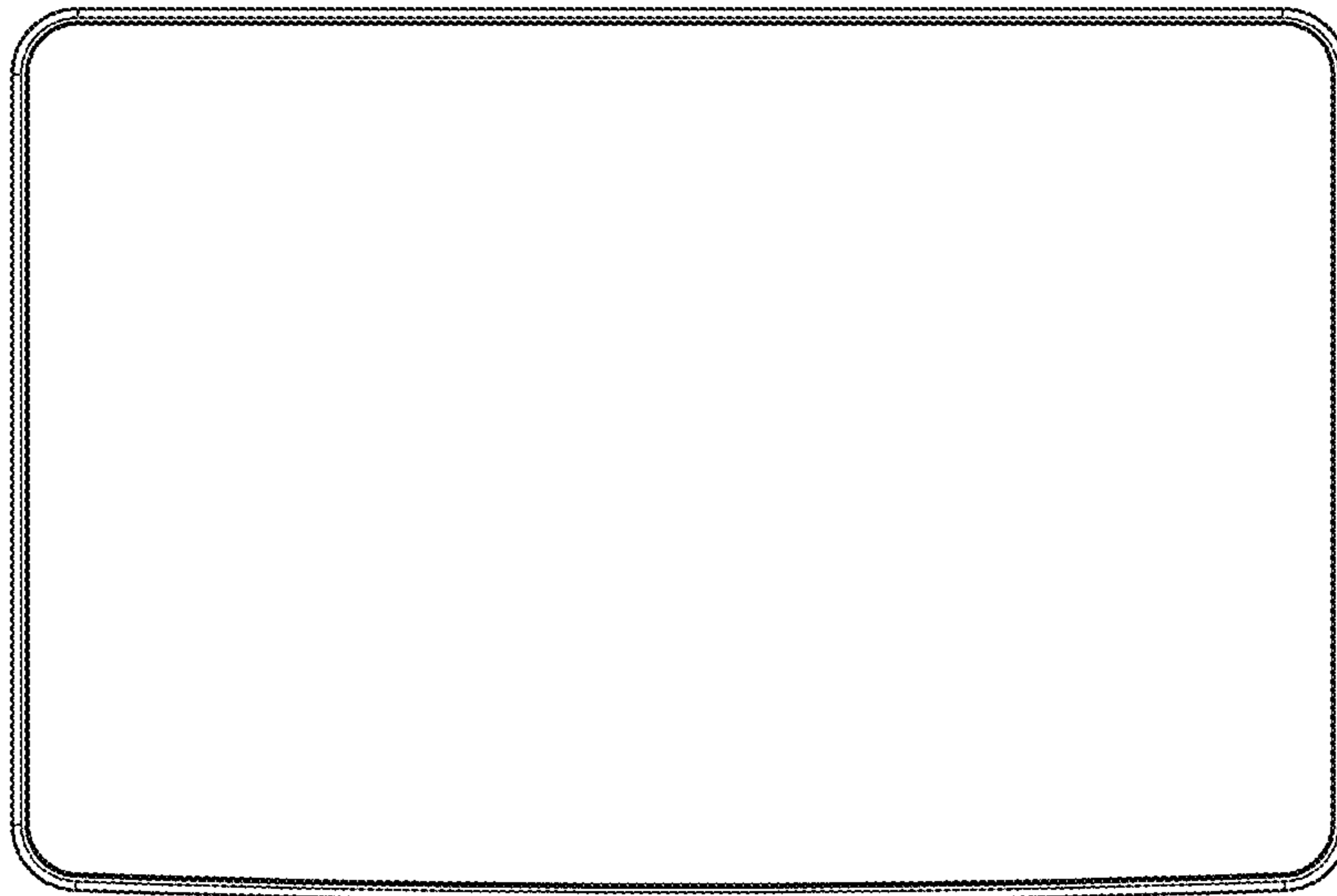


FIG. 3

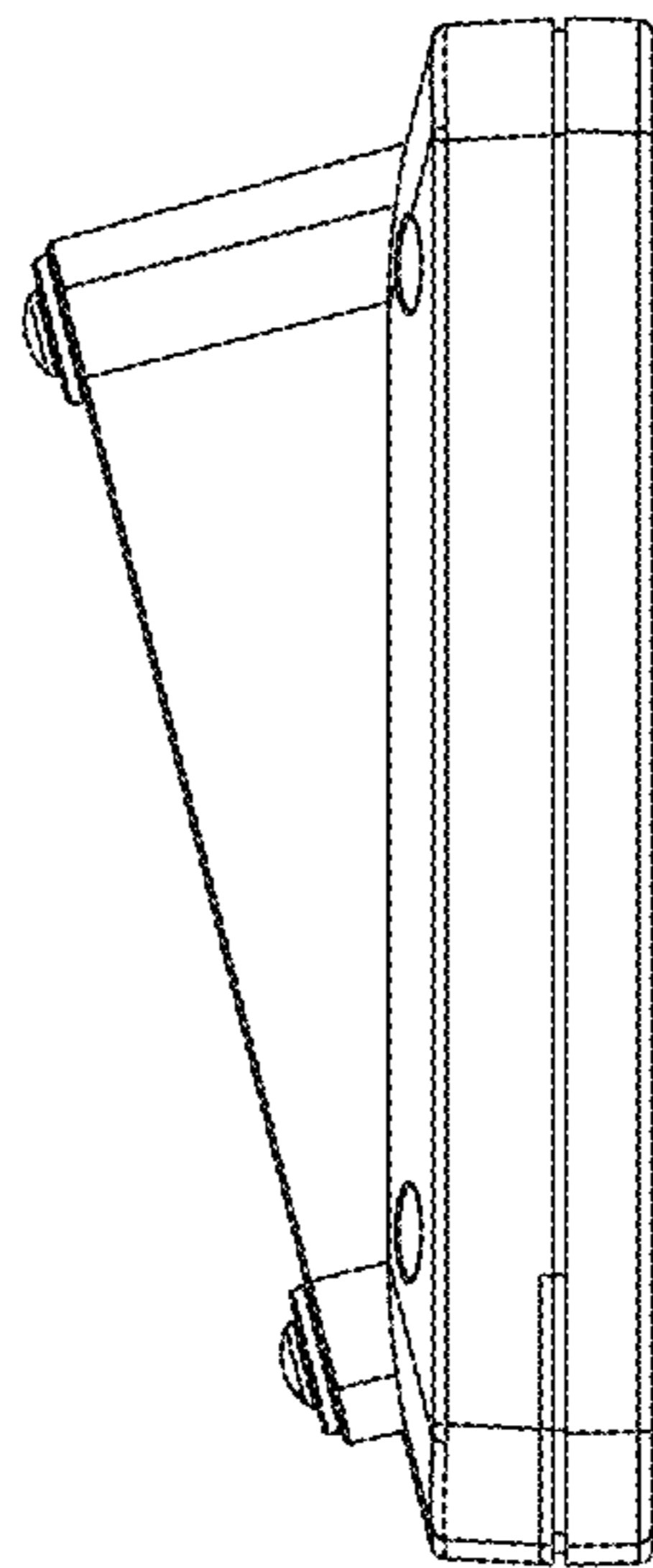


FIG. 4

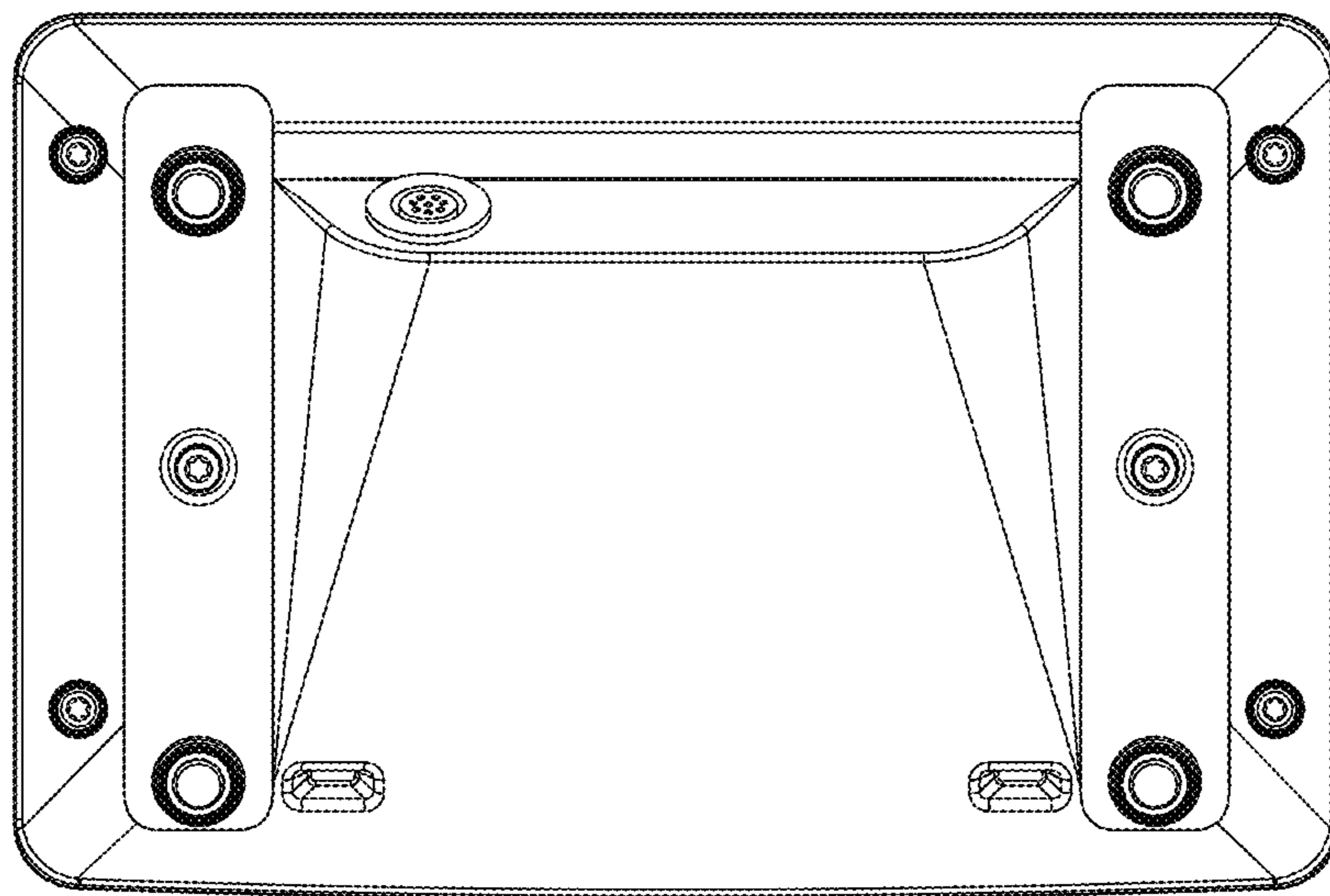


FIG. 5

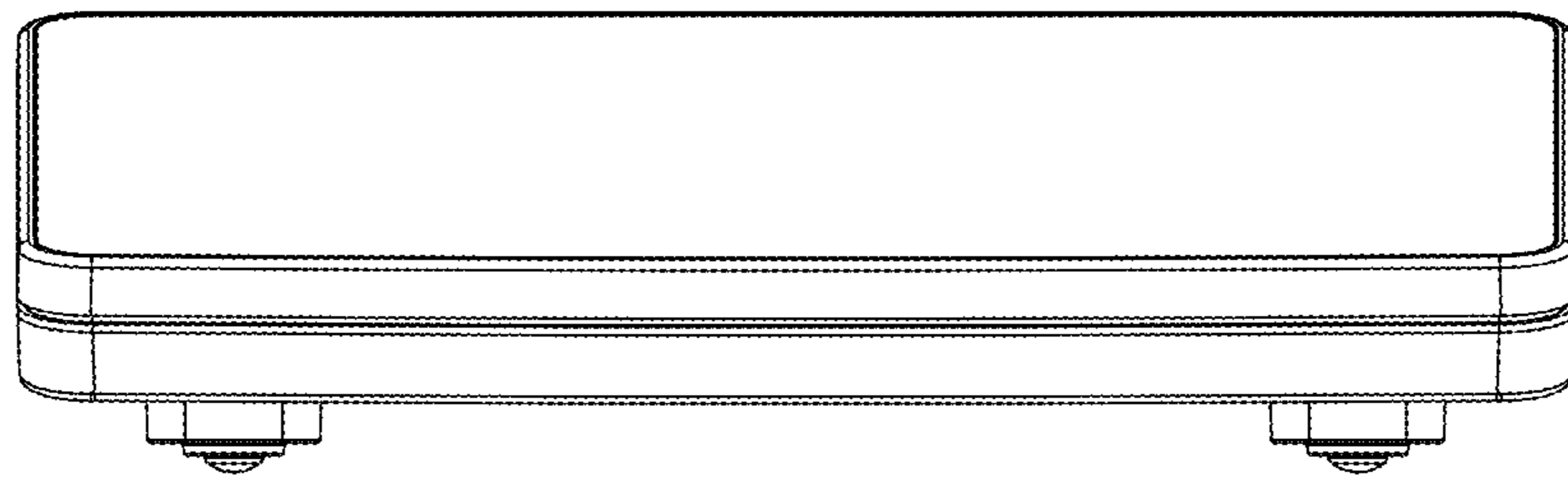


FIG. 6

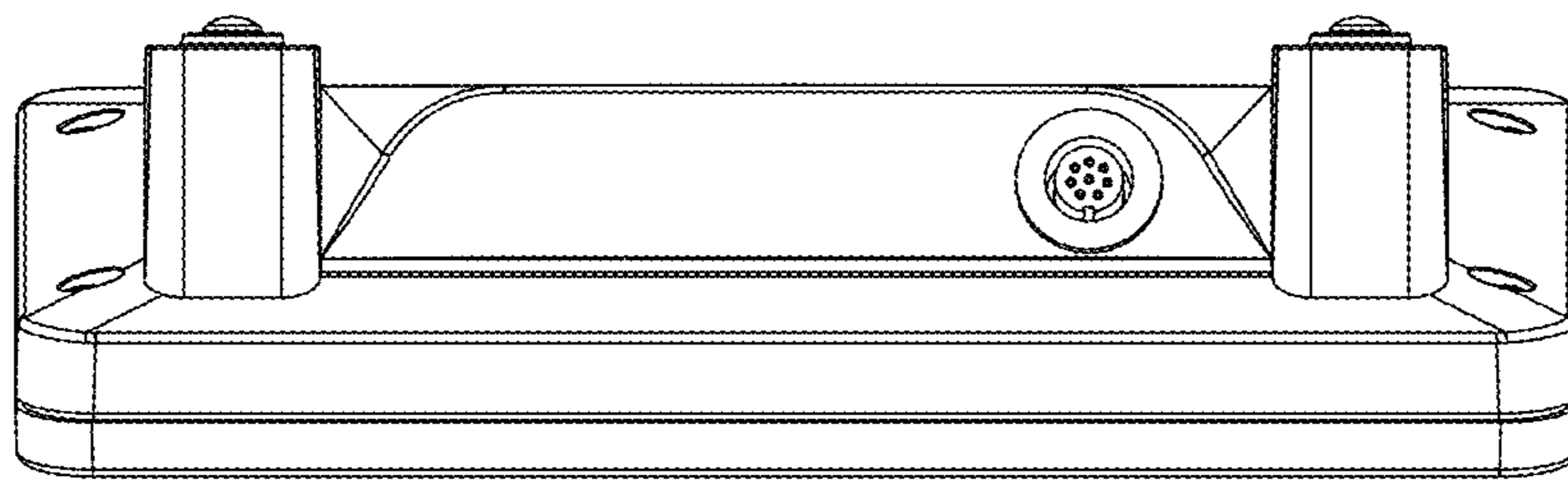


FIG. 7