



US00D830865S

(12) **United States Design Patent**  
**Makino**

(10) **Patent No.:** **US D830,865 S**  
(45) **Date of Patent:** **\*\* Oct. 16, 2018**

- (54) **PROBE**
- (71) Applicant: **SINTOKOGIO, LTD.**, Nagoya-shi, Aichi (JP)
- (72) Inventor: **Yoshiyasu Makino**, Toyokawa (JP)
- (73) Assignee: **SINTOKOGIO, LTD.** (JP)
- (\*\*) Term: **15 Years**
- (21) Appl. No.: **29/598,347**
- (22) Filed: **Mar. 24, 2017**

9,325,817	B2 *	4/2016	Vossoughi	.....	B60R	11/02
D782,973	S *	4/2017	Zhou	.....	D13/108	
D797,042	S *	9/2017	Miller	.....	D13/107	
D798,807	S *	10/2017	Shi	.....	D13/108	
D808,901	S *	1/2018	Kelly	.....	D13/107	
D810,015	S *	2/2018	Carreon	.....	D13/108	

(30) **Foreign Application Priority Data**

Oct. 3, 2016 (JP) ..... 2016-021518

- (51) **LOC (11) Cl.** ..... **10-04**
- (52) **U.S. Cl.**  
USPC ..... **D10/78**
- (58) **Field of Classification Search**  
USPC ..... D10/46, 75, 78, 78.8, 100; D13/107;  
D14/128, 221, 225, 231, 388, 434;  
D15/199  
CPC ..... G01N 27/82; G01N 27/83; G01N 27/87;  
G01N 27/90; G01N 27/9033; G01N  
27/9026; G01N 27/902; G01N 27/9006;  
G01N 27/9013  
See application file for complete search history.

(56) **References Cited**

**U.S. PATENT DOCUMENTS**

5,532,591	A *	7/1996	Logue	.....	B82Y	15/00
						209/567
D381,030	S *	7/1997	Tepman	.....	D15/144	
D431,867	S *	10/2000	Maynard	.....	D24/216	
D571,833	S *	6/2008	Ota	.....	D15/138	
D579,809	S *	11/2008	Lin	.....	D10/103	
D697,224	S *	1/2014	Judson	.....	D24/216	
D744,360	S *	12/2015	Makino	.....	D10/78	
D747,267	S *	1/2016	Aumiller	.....	D13/108	

**FOREIGN PATENT DOCUMENTS**

CA		2803794	A1 *	1/2012	.....	G01B	7/30
WO		WO-9116638	A1 *	10/1991	.....	B82Y	15/00

\* cited by examiner

*Primary Examiner* — Garth Rademaker  
*Assistant Examiner* — Fitzgerald L Butac  
(74) *Attorney, Agent, or Firm* — Saidman DesignLaw Group, LLC

(57) **CLAIM**

The ornamental design for a probe, as shown and described.

**DESCRIPTION**

FIG. 1 is a perspective view of a probe showing my new design;  
FIG. 2 is a front view thereof, the rear view being a mirror image thereof;  
FIG. 3 is a left side view thereof;  
FIG. 4 is a right side view thereof;  
FIG. 5 is a top plan view thereof; and,  
FIG. 6 is a bottom plan side view thereof.  
The broken lines show portions of the probe that form no part of the claimed design. The drawings include surface shading which represents contour and not surface ornamentation.  
The parallel dash-dot-dash broken lines represent a symbolic break in the length of an unclaimed element of the probe and form no part of the claimed design. The appearance of any portion of the probe between the break lines forms no part of the claimed design.

**1 Claim, 3 Drawing Sheets**

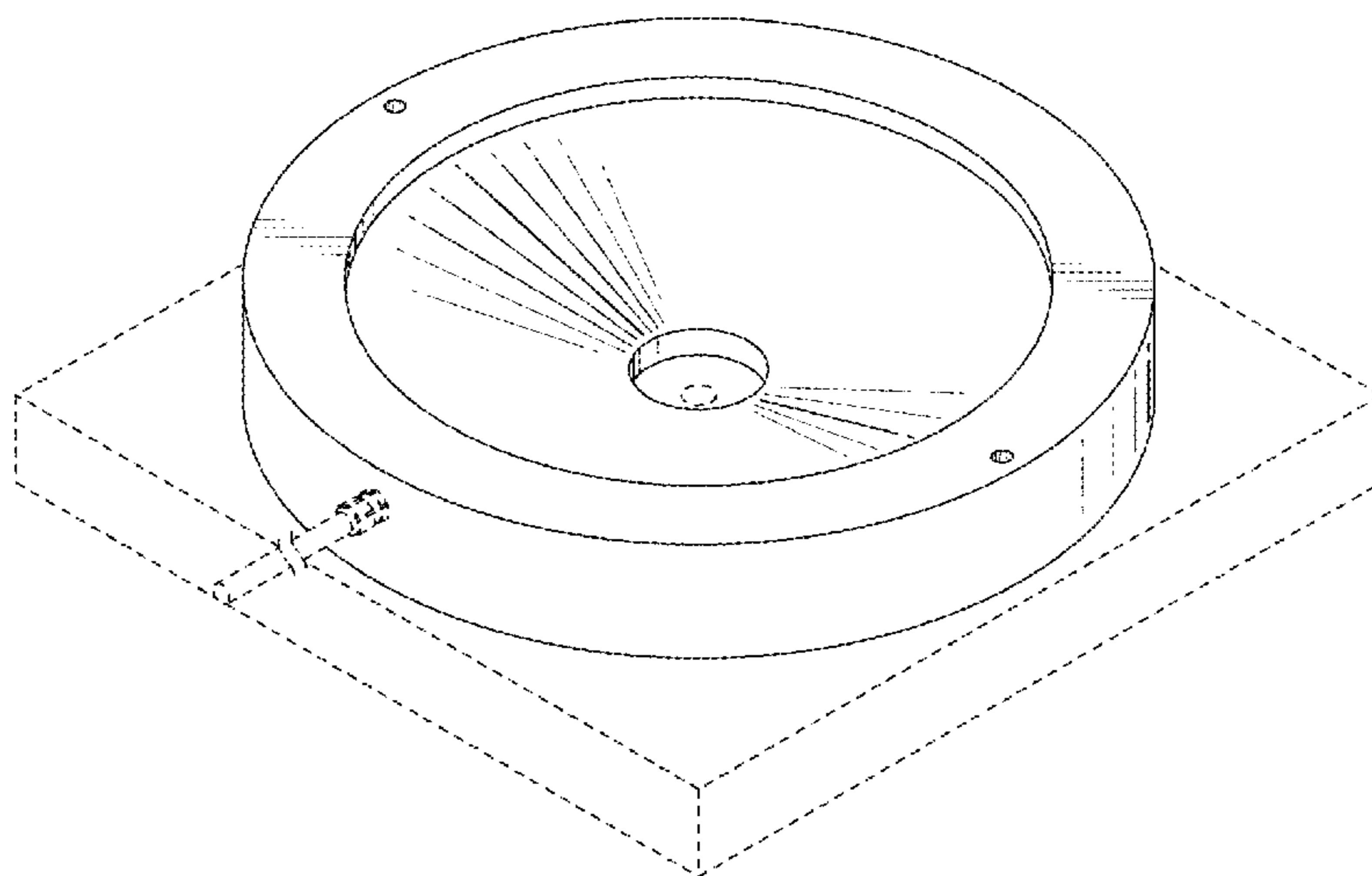


FIG.1

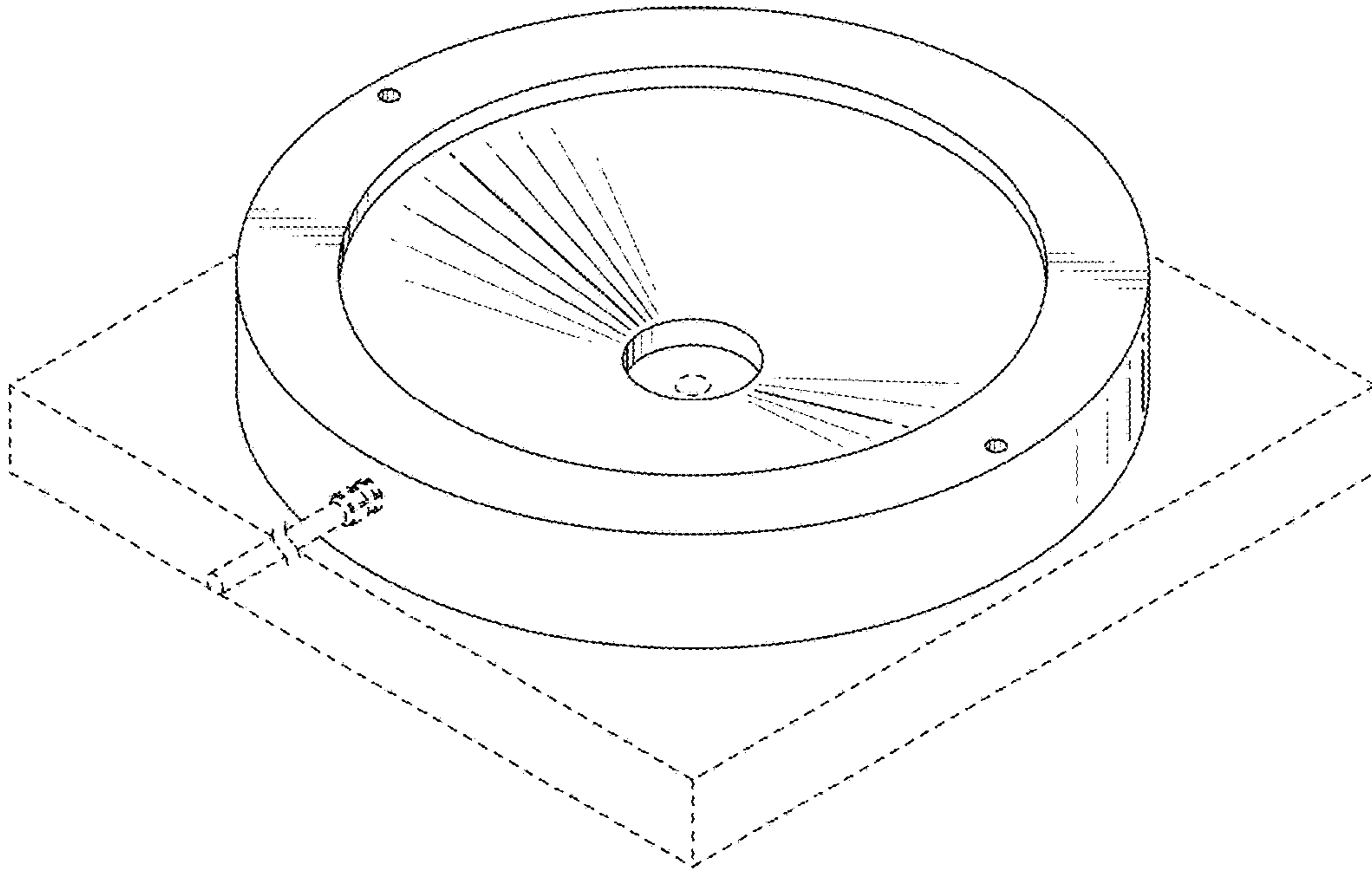


FIG.2

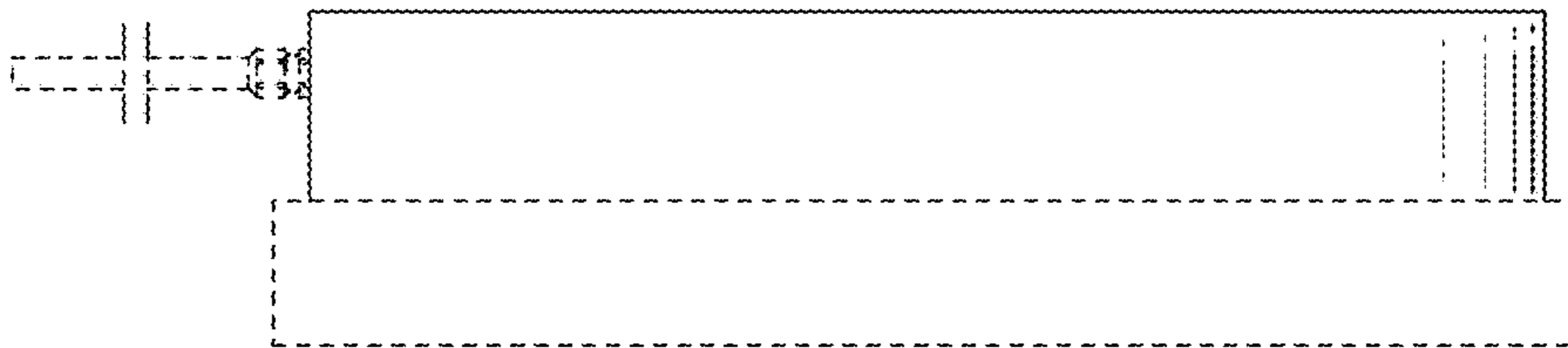


FIG.3

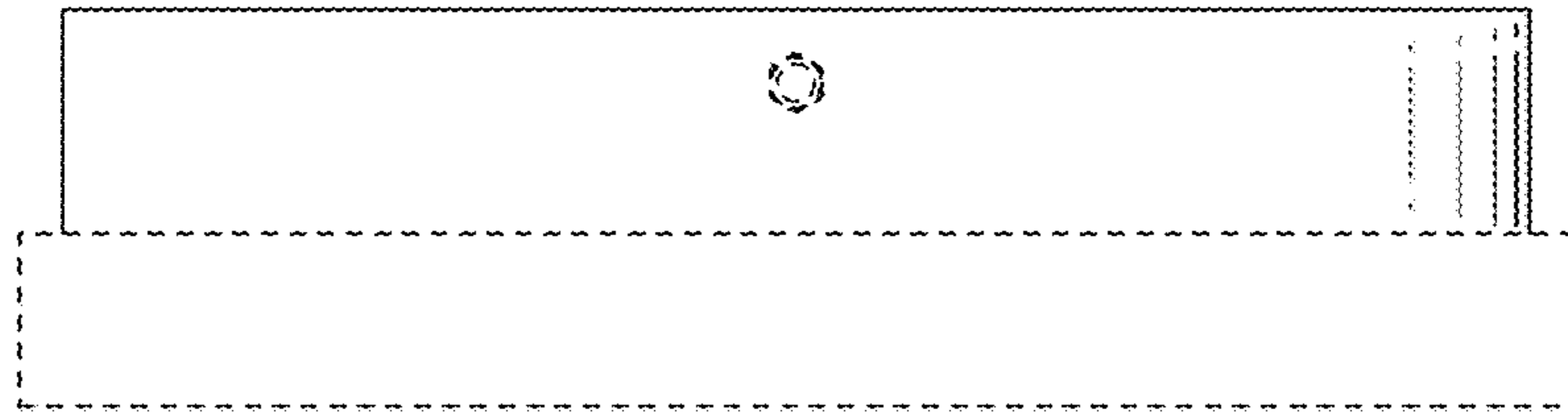


FIG.4

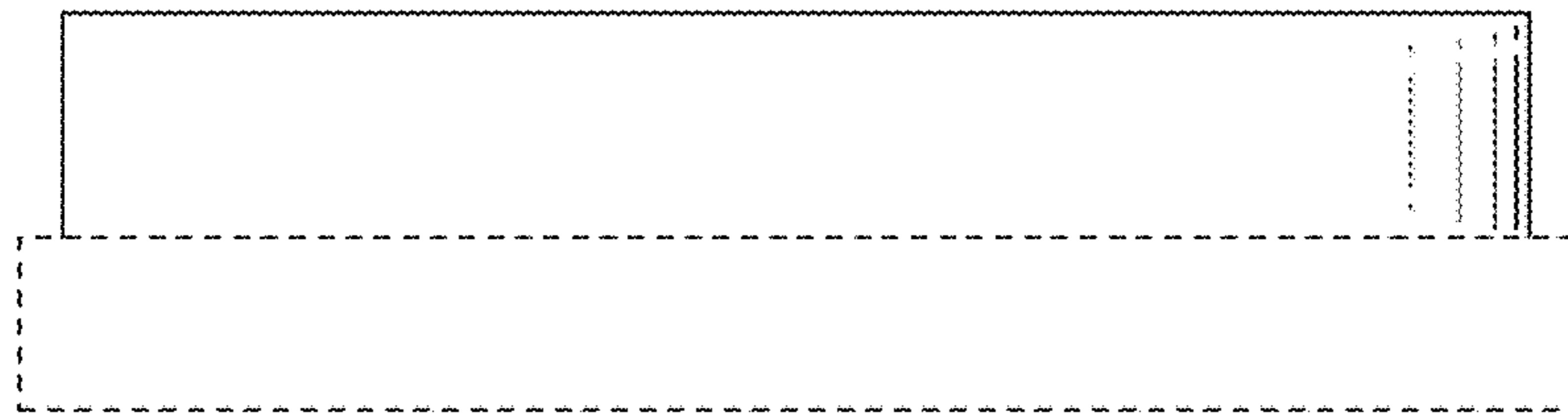


FIG.5

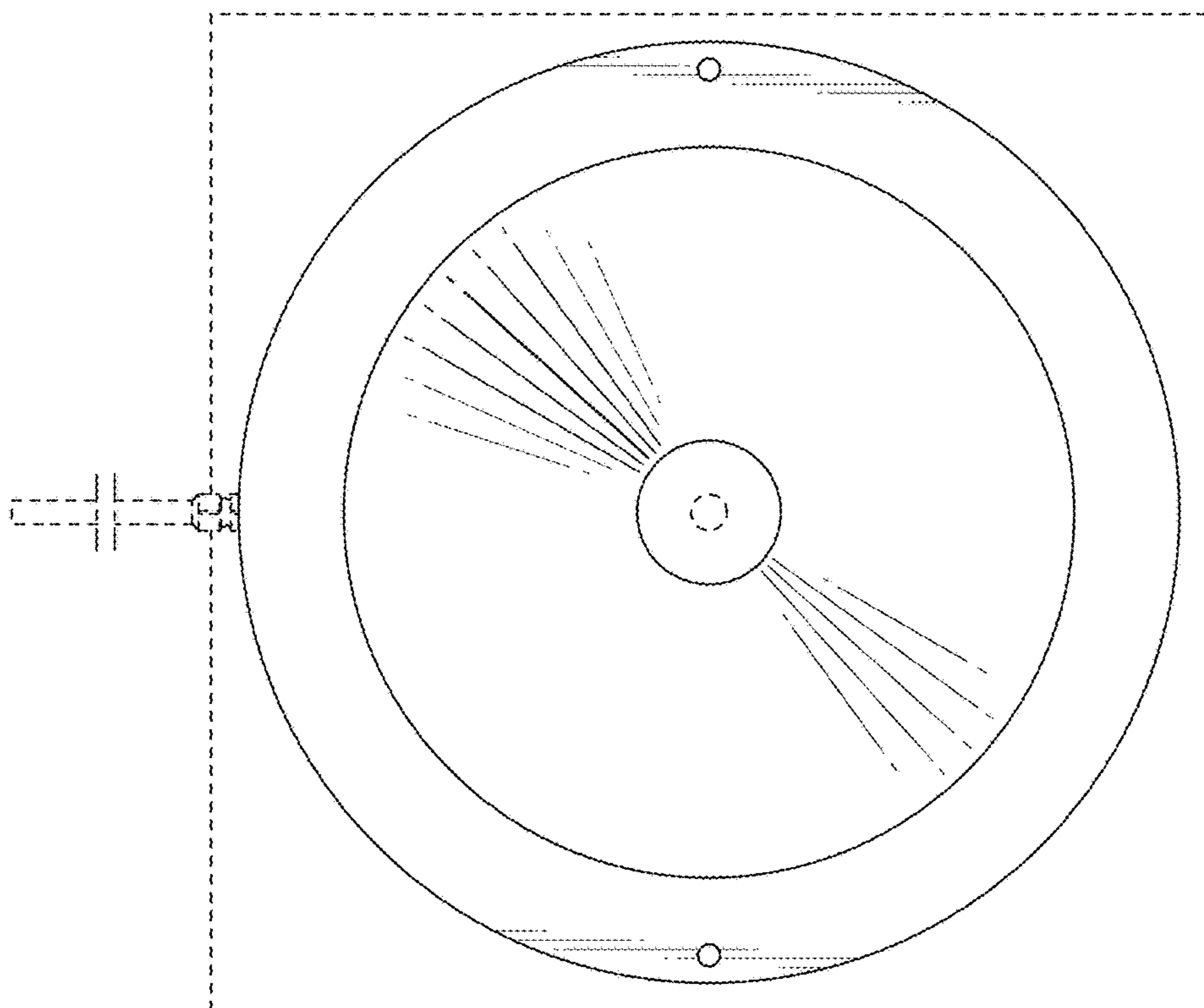


FIG.6

