

US00D830864S

(12) **United States Design Patent**
Worden et al.

(10) **Patent No.:** **US D830,864 S**
(45) **Date of Patent:** **** Oct. 16, 2018**

(54) **SENSOR ASSEMBLY**

(71) Applicant: **General Electric Company**,
Schenectady, NY (US)

(72) Inventors: **Bret Worden**, Erie, PA (US); **Jingjun Zhang**, Lawrence Park, PA (US); **David Petersen**, Erie, PA (US)

(73) Assignee: **General Electric Company**,
Schenectady, NY (US)

(**) Term: **15 Years**

(21) Appl. No.: **29/613,171**

(22) Filed: **Aug. 8, 2017**

Related U.S. Application Data

(62) Division of application No. 29/549,058, filed on Dec. 18, 2015, now Pat. No. Des. 796,976.

(51) **LOC (11) Cl.** **10-04**

(52) **U.S. Cl.**
USPC **D10/75**

(58) **Field of Classification Search**
USPC D10/46, 75
CPC G01D 5/00; G06F 1/166; G06F 1/1656;
G06F 1/1626; G06F 1/1609; G06F 1/637;
G06F 3/03547; G06F 3/04842; G06F
3/04817; G01M 17/00; G01R 31/007;
G01R 31/3648; G01R 31/3693; G01R
31/3627; F17D 1/08; F02P 17/08

See application file for complete search history.

(56) **References Cited**

U.S. PATENT DOCUMENTS

D264,563 S * 5/1982 Leung D10/75
D725,519 S * 3/2015 Drew D10/75
D792,252 S * 7/2017 Garner D10/75

* cited by examiner

Primary Examiner — Antoine D Davis

(74) *Attorney, Agent, or Firm* — GE Global Patent
Operation; John A. Kramer

(57) **CLAIM**

The ornamental design for a sensor assembly, as shown and described.

DESCRIPTION

FIG. 1 is a front perspective view of a sensor assembly according to our new design;

FIG. 2 is a rear perspective view of the sensor assembly according to our new design;

FIG. 3 is a top view of the sensor assembly according to our new design;

FIG. 4 is a bottom view of the sensor assembly according to our new design;

FIG. 5 is a right view of the sensor assembly according to our new design;

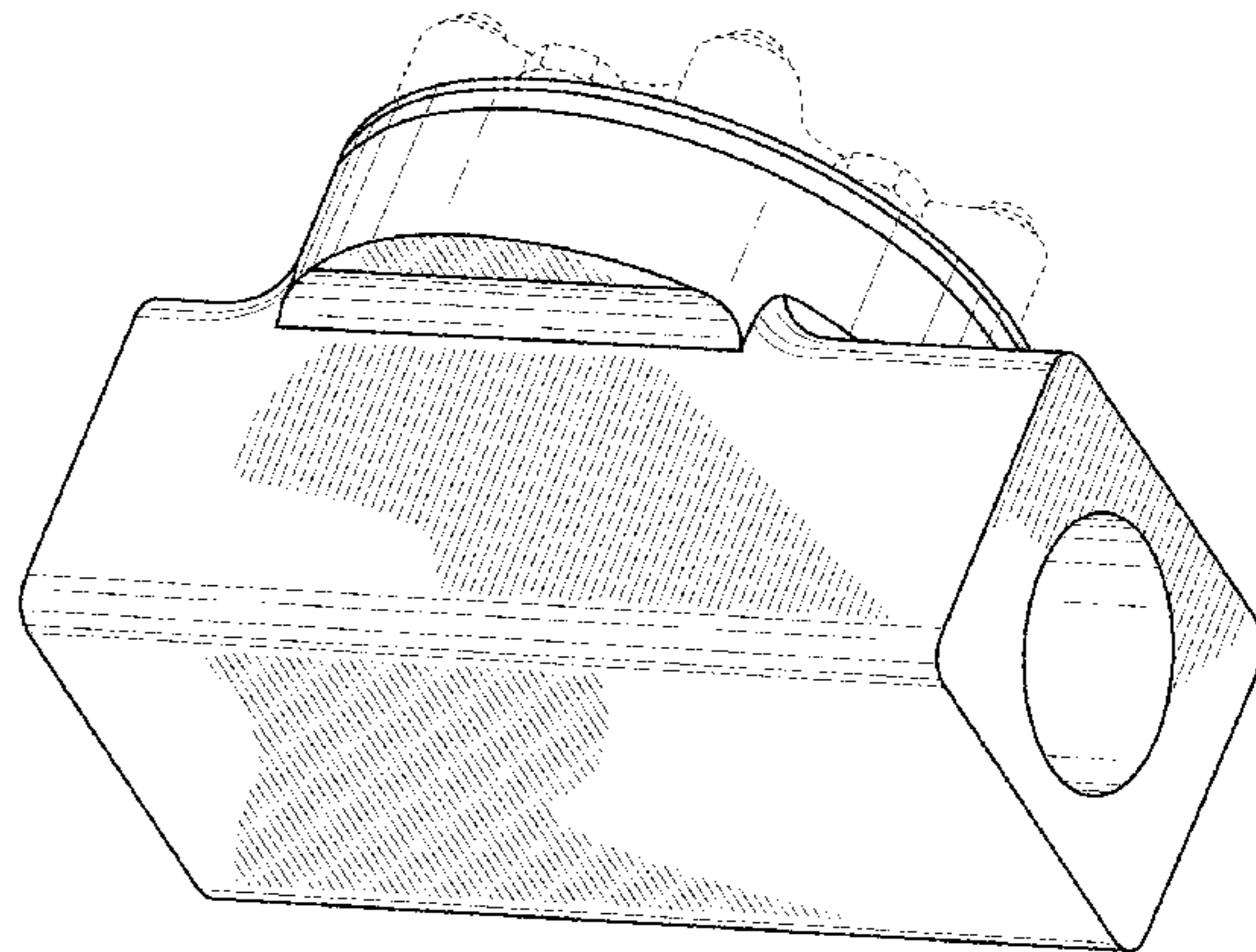
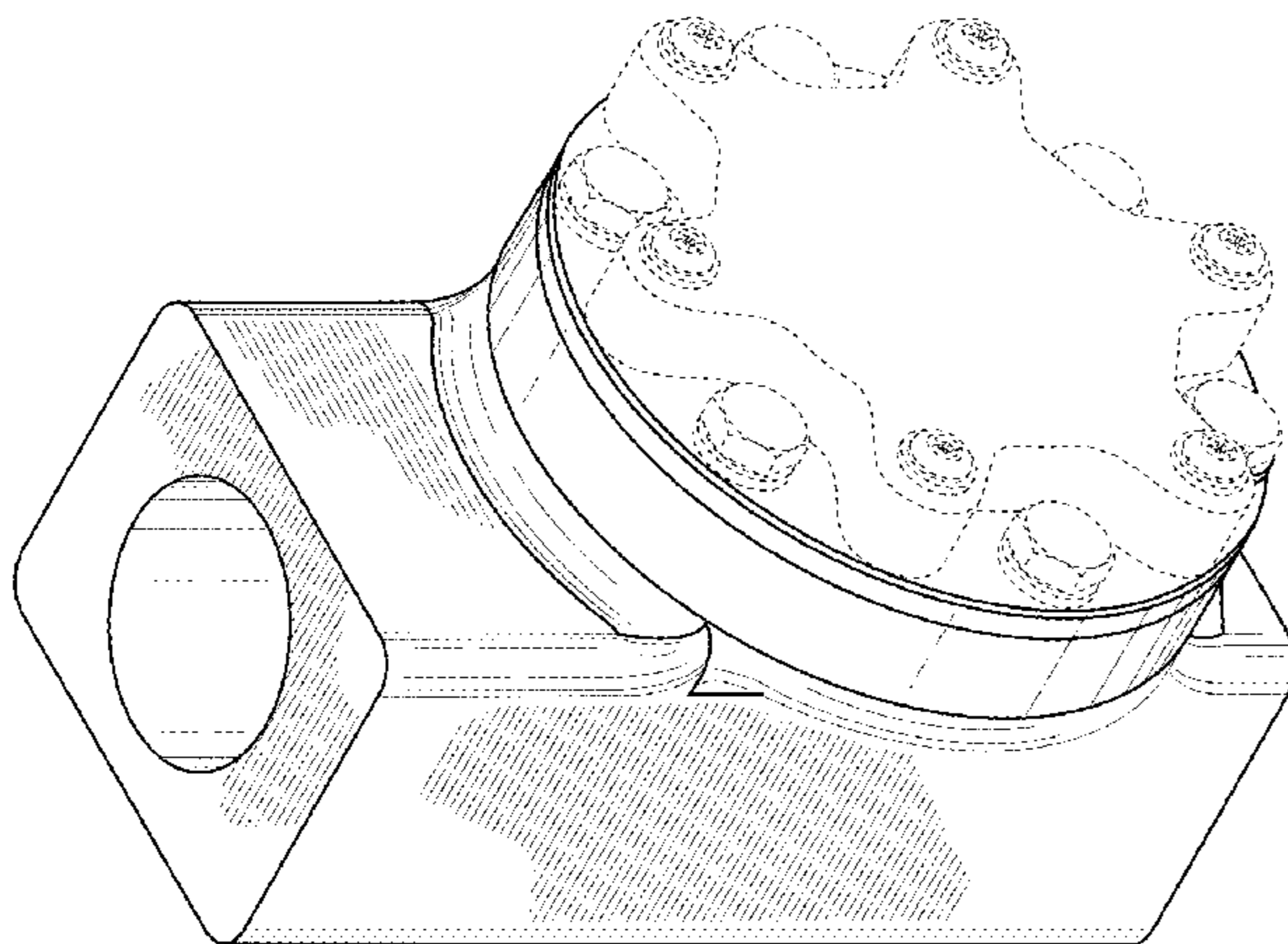
FIG. 6 is a left view of the sensor assembly according to our new design;

FIG. 7 is a front view of the sensor assembly according to our new design; and,

FIG. 8 is a rear view of the sensor assembly according to our new design.

The broken line showing of structural features is included for the purpose of illustrating non-claimed subject matter and forms no part of the claimed design.

1 Claim, 5 Drawing Sheets



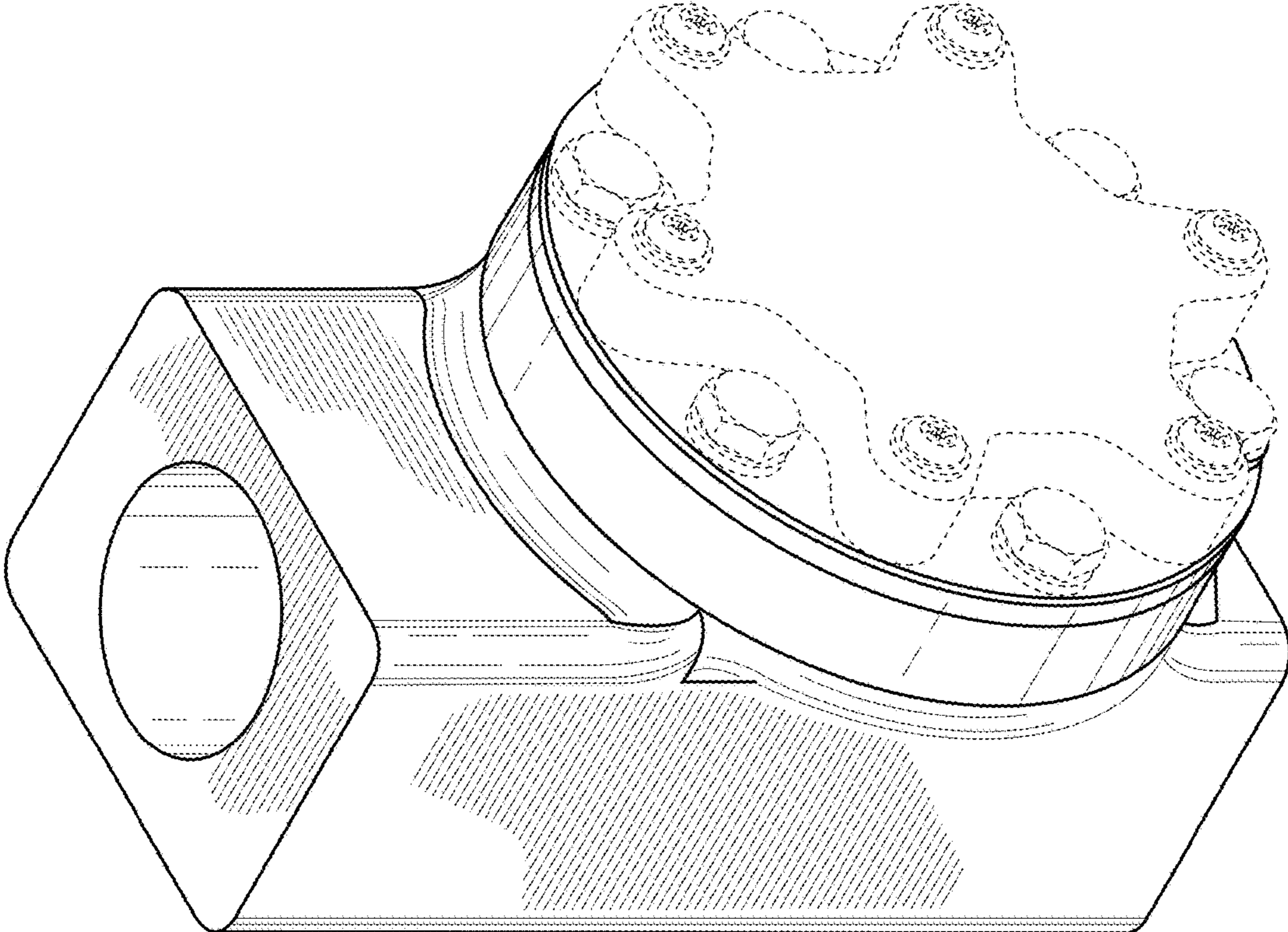


FIG. 1

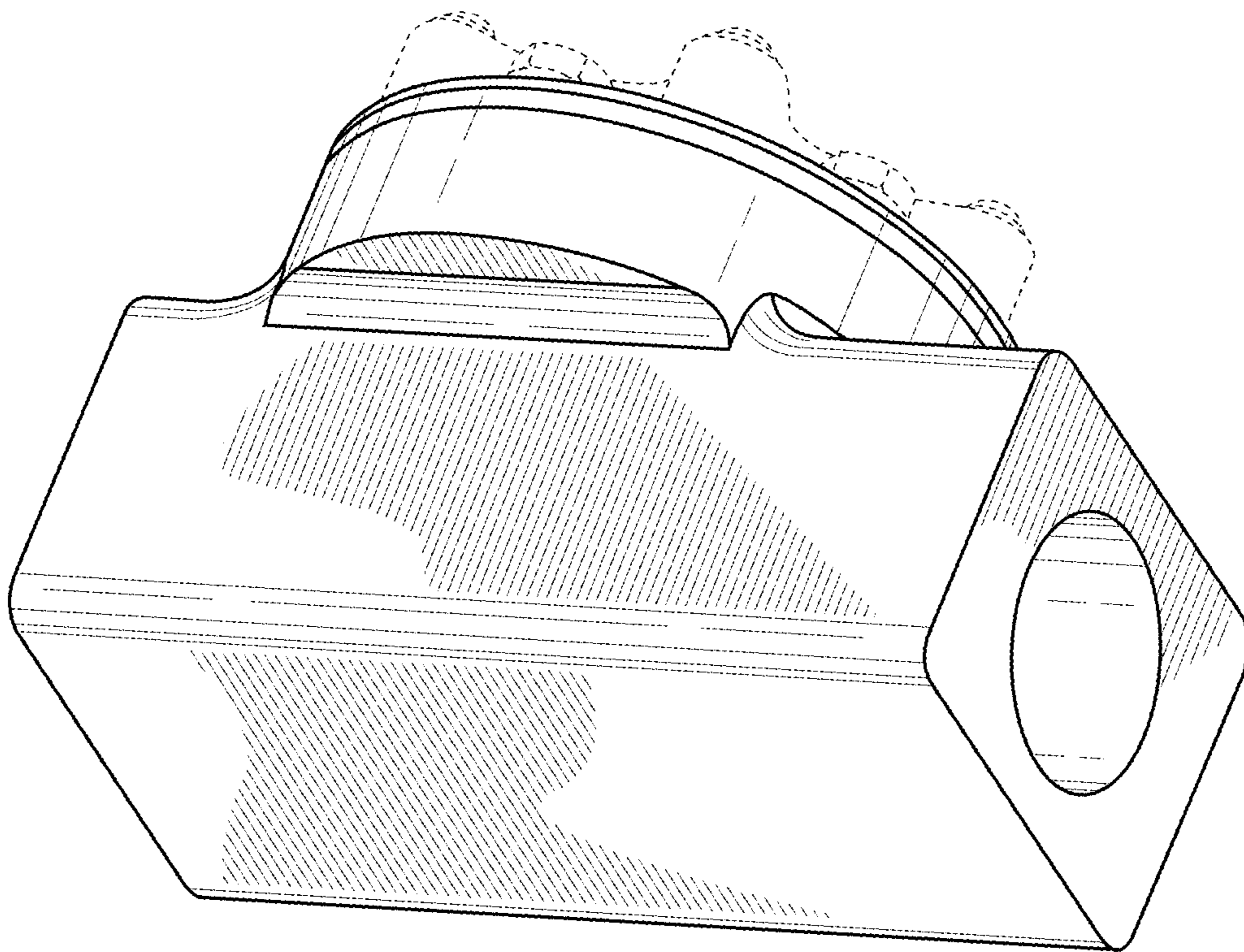


FIG. 2

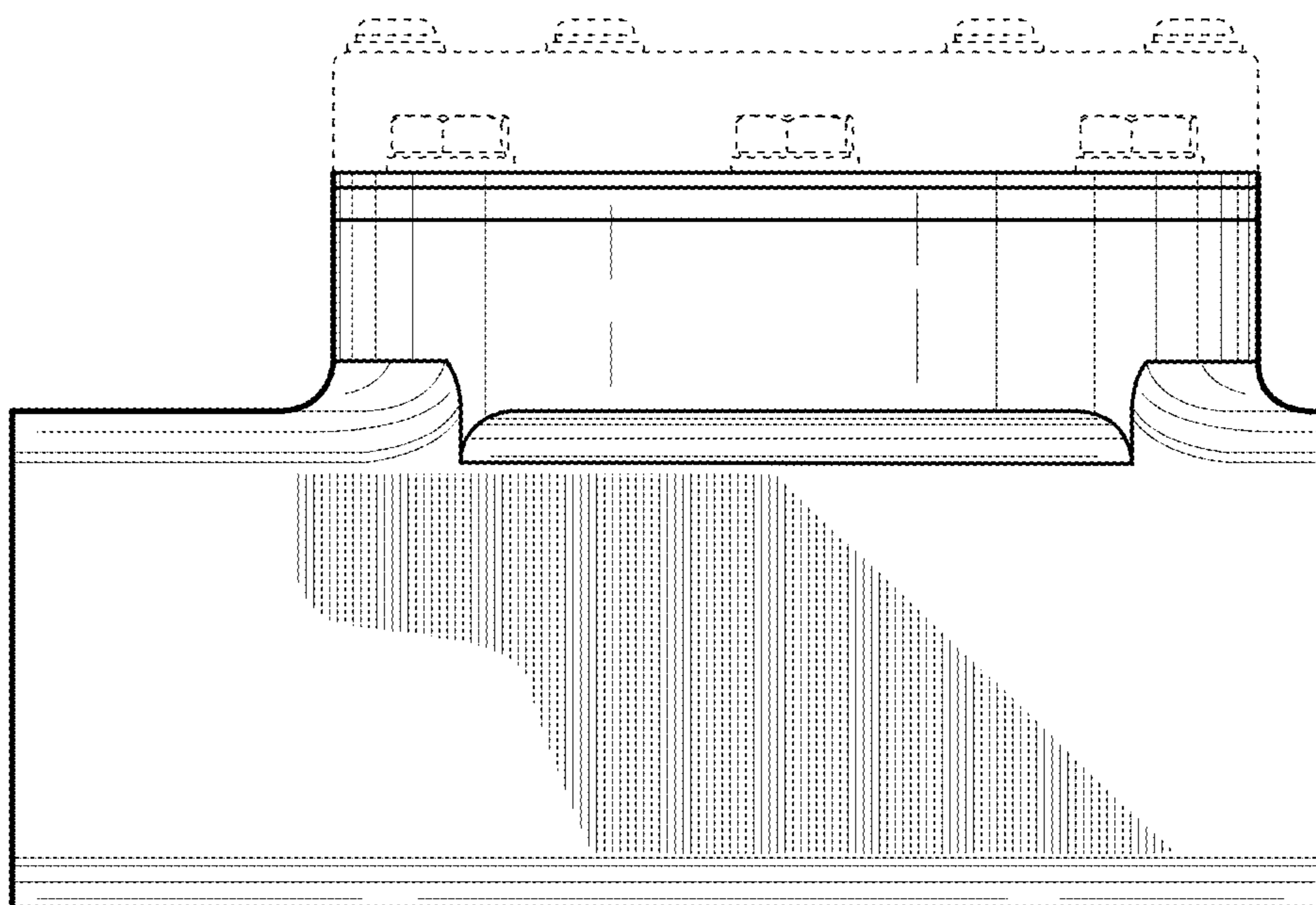


FIG. 3

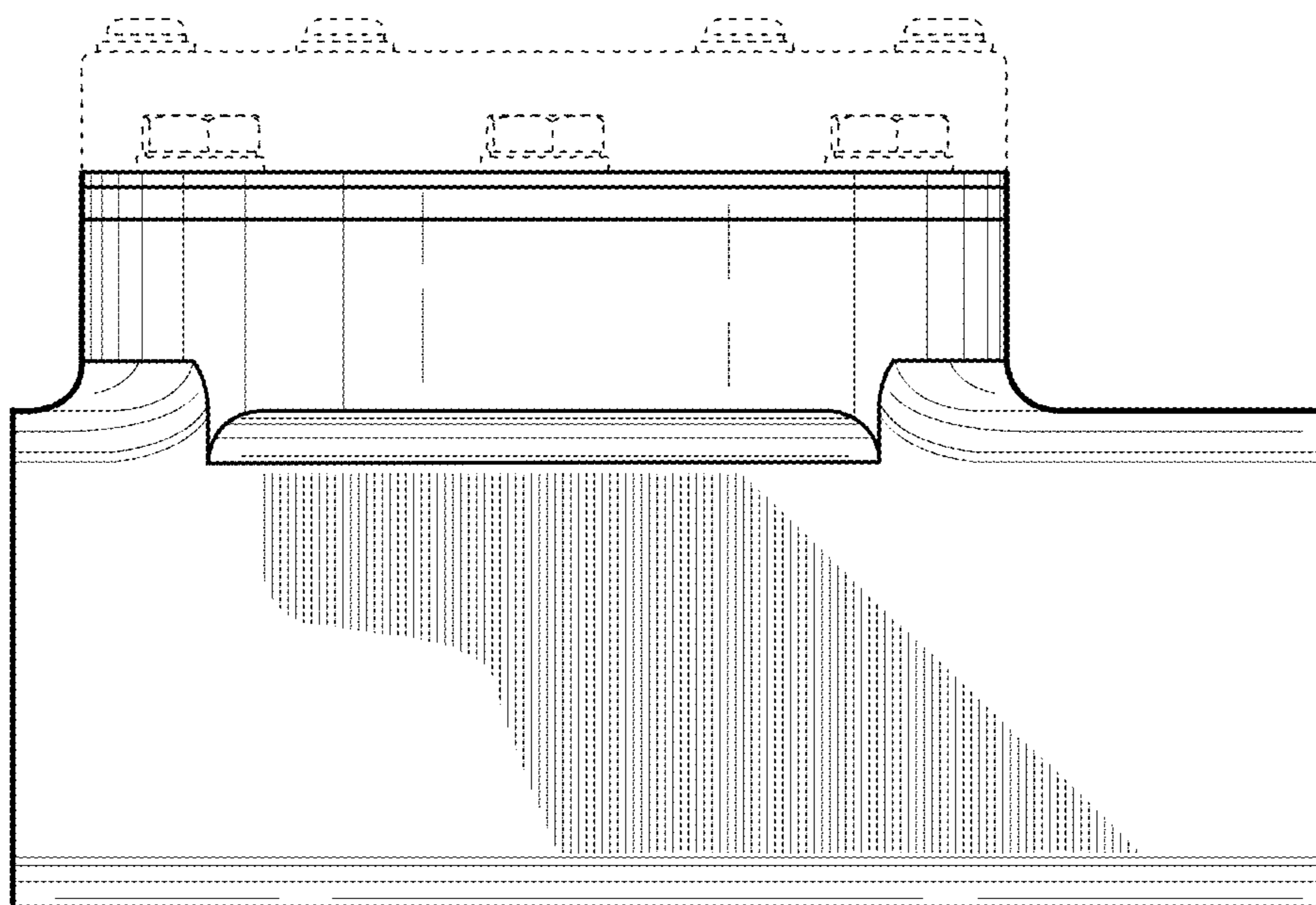


FIG. 4

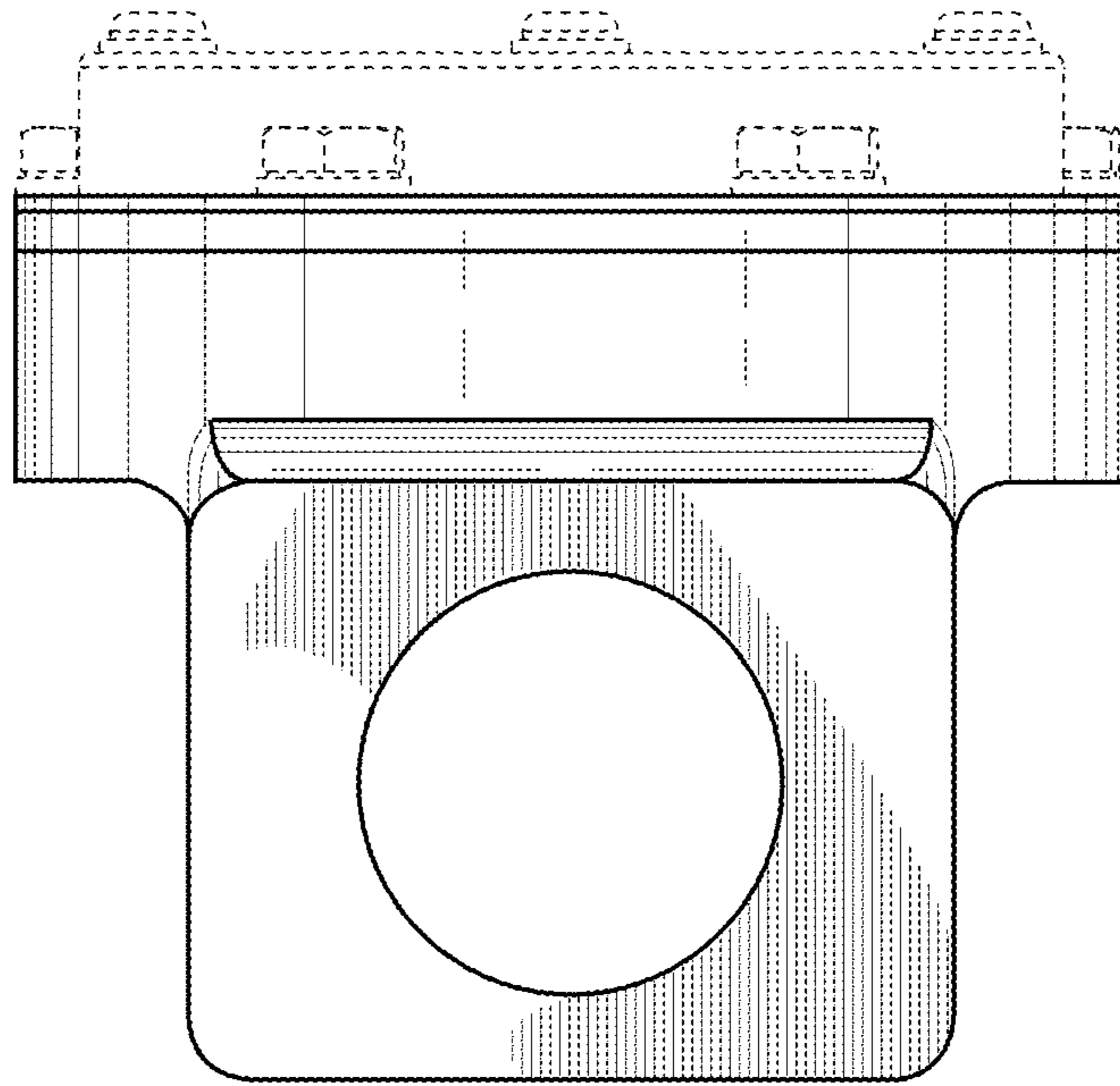


FIG. 5

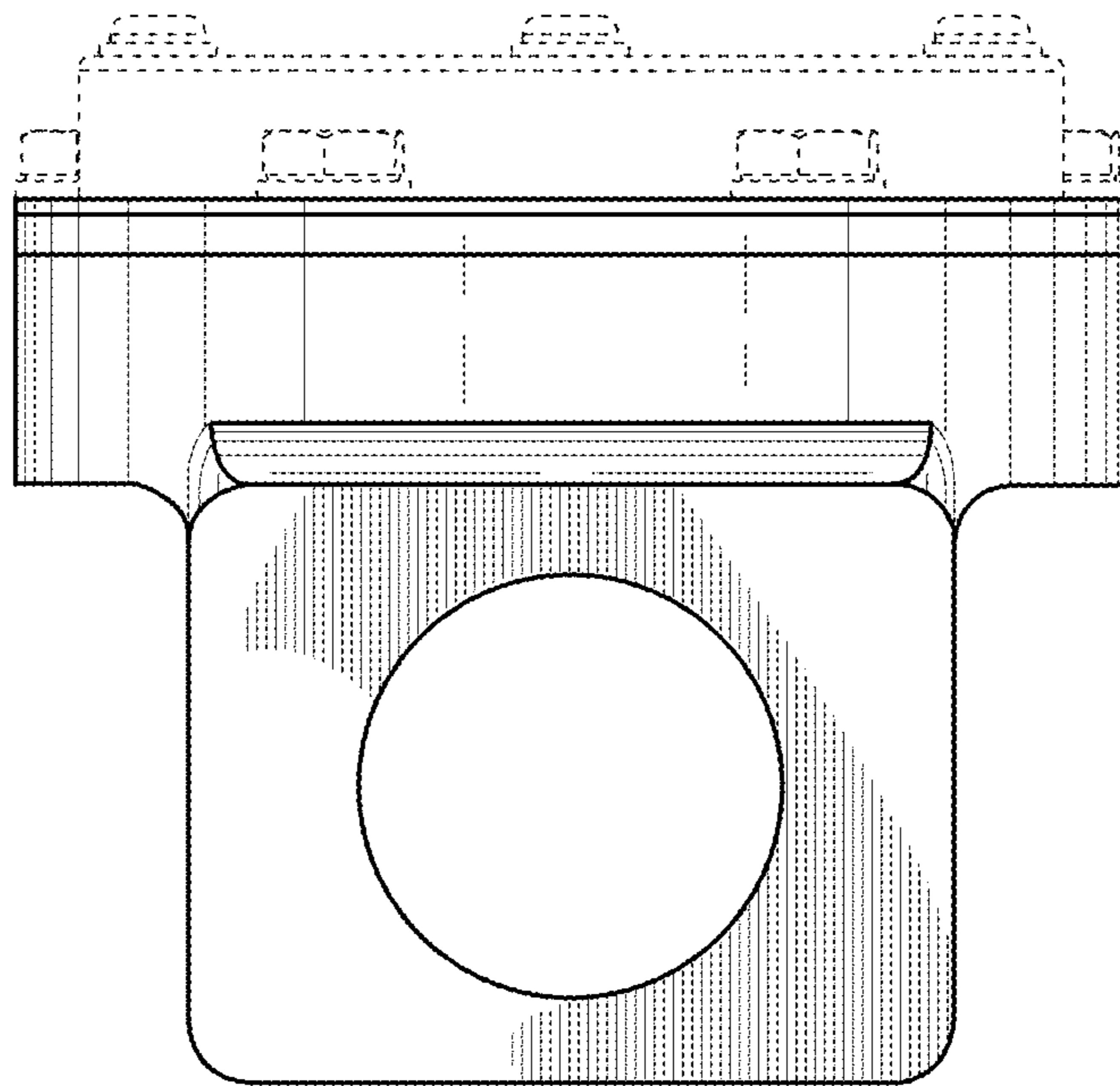


FIG. 6

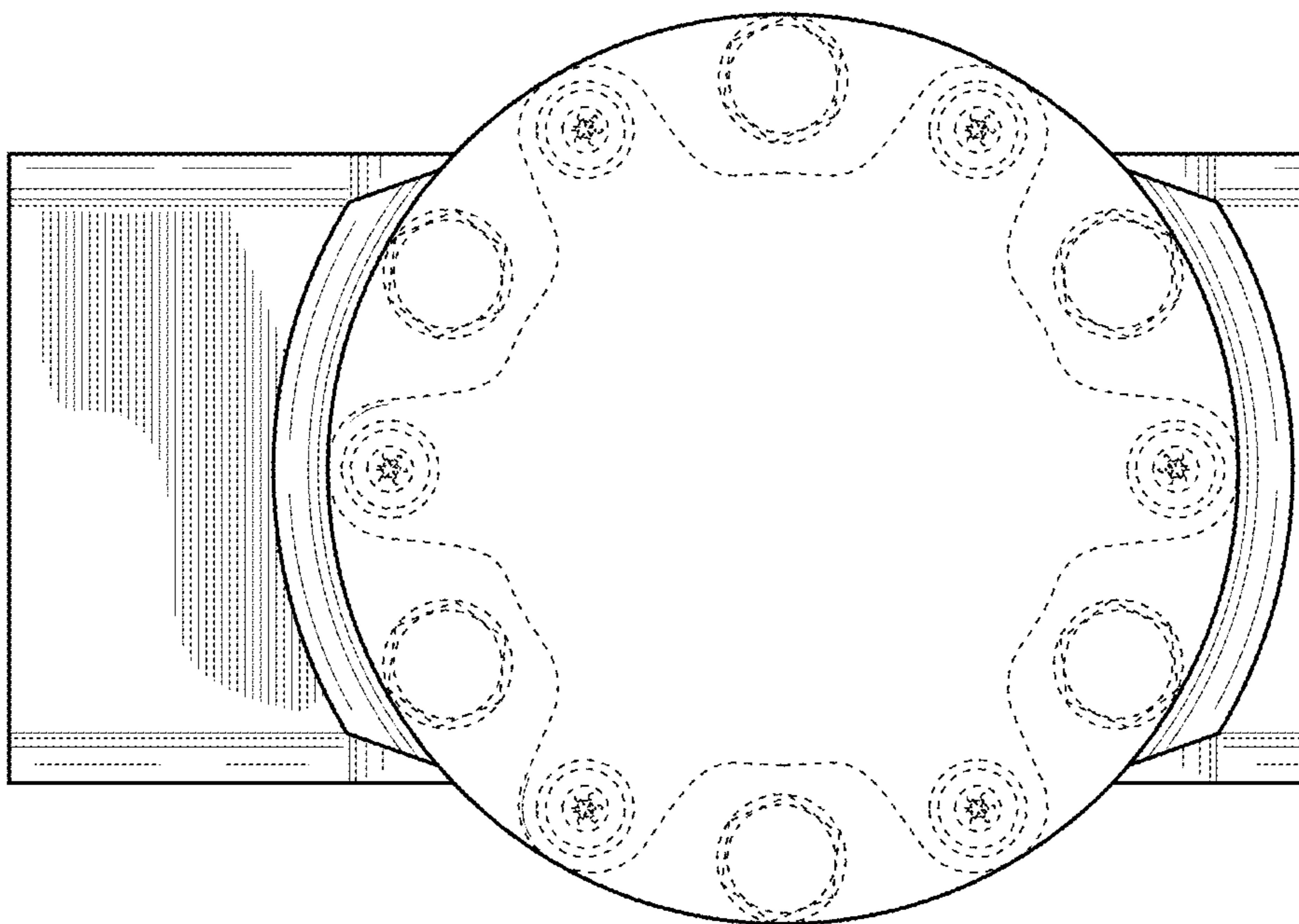


FIG. 7

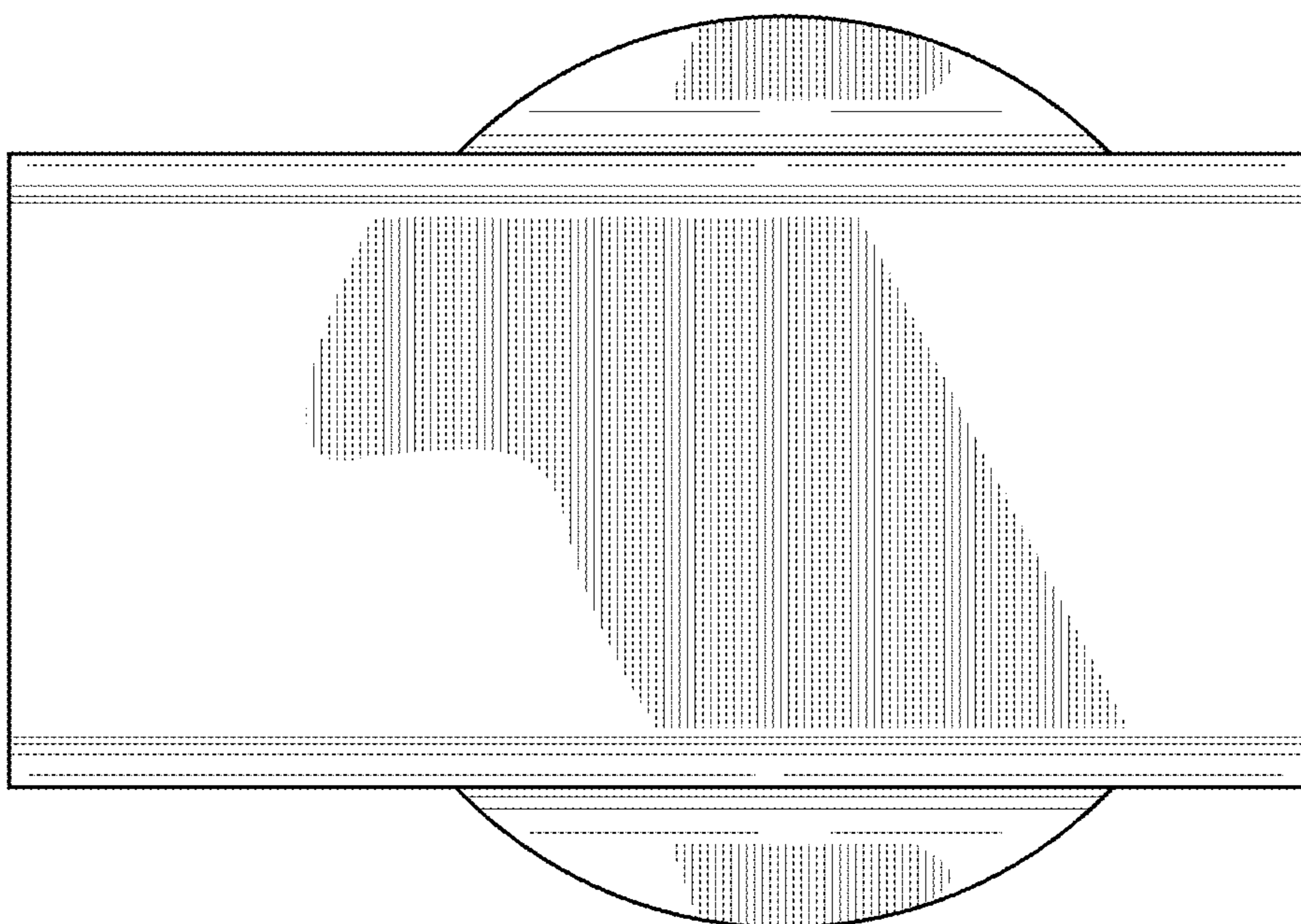


FIG. 8