



US00D830863S

(12) **United States Design Patent**  
**Dunford et al.**

(10) **Patent No.:** **US D830,863 S**  
(45) **Date of Patent:** **\*\* Oct. 16, 2018**

(54) **PORTABLE TEST INSTRUMENT**

(71) Applicant: **JENTEK Sensors, Inc.**, Waltham, MA (US)

(72) Inventors: **Todd M Dunford**, Amherst, MA (US); **Neil J Goldfine**, Indian Harbour Beach, FL (US); **Stuart D Chaplan**, Watertown, MA (US); **Yanko K Sheiretov**, Waltham, MA (US); **Scott A Denenberg**, Newton, MA (US)

(\*\*) Term: **15 Years**

(21) Appl. No.: **29/603,661**

(22) Filed: **May 11, 2017**

(51) **LOC (11) Cl.** ..... **10-04**

(52) **U.S. Cl.**  
USPC ..... **D10/75; D10/78**

(58) **Field of Classification Search**  
USPC ..... D10/75, 78  
CPC ..... G01N 27/82; G01N 27/825; G01N 27/83; G01N 27/84; G01N 27/85; G01N 27/87; G01N 27/90; G01N 27/9006; G01N 27/9013; G01N 27/902; G01N 27/9026; G01N 27/9033; G01N 27/904; G01N 27/9046; G01N 27/9053; G01N 27/906; G01N 27/9066; G01N 27/9073; G01N 27/908; G01N 27/9086; G01N 27/9093

See application file for complete search history.

(56) **References Cited**

**U.S. PATENT DOCUMENTS**

5,117,182 A \* 5/1992 Cecco ..... G01N 27/904 324/220  
D339,994 S \* 10/1993 Rohmann ..... D10/78

5,914,595 A \* 6/1999 Piriou ..... G01N 27/9013 324/220  
D514,963 S \* 2/2006 Shionoiri ..... D10/78  
2004/0257072 A1 \* 12/2004 Samson ..... G01N 27/902 324/242  
2011/0089937 A1 \* 4/2011 Petrosky ..... G01N 27/90 324/220  
2015/0323502 A1 \* 11/2015 Suetsugu ..... G01N 27/902 324/240

\* cited by examiner

*Primary Examiner* — Antoine Duval Davis

(74) *Attorney, Agent, or Firm* — Zachary M. Thomas

(57) **CLAIM**

The ornamental design for a portable test instrument, substantially as shown and described.

**DESCRIPTION**

FIG. 1 is a front perspective view of the portable test instrument;

FIG. 2 is a back perspective view thereof;

FIG. 3 is a top view thereof;

FIG. 4 is a bottom view thereof;

FIG. 5 is a left side view thereof;

FIG. 6 is a back view thereof; and,

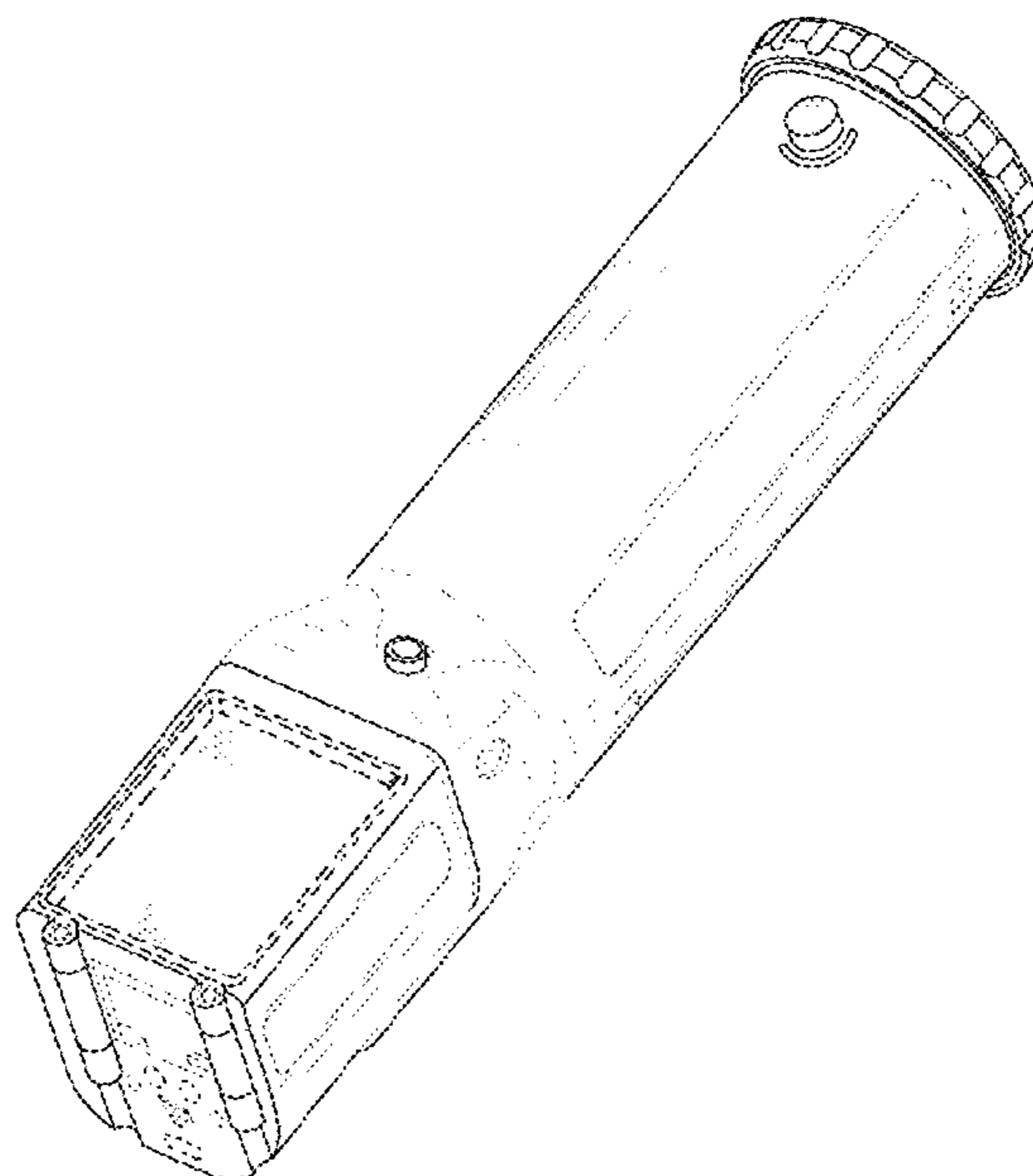
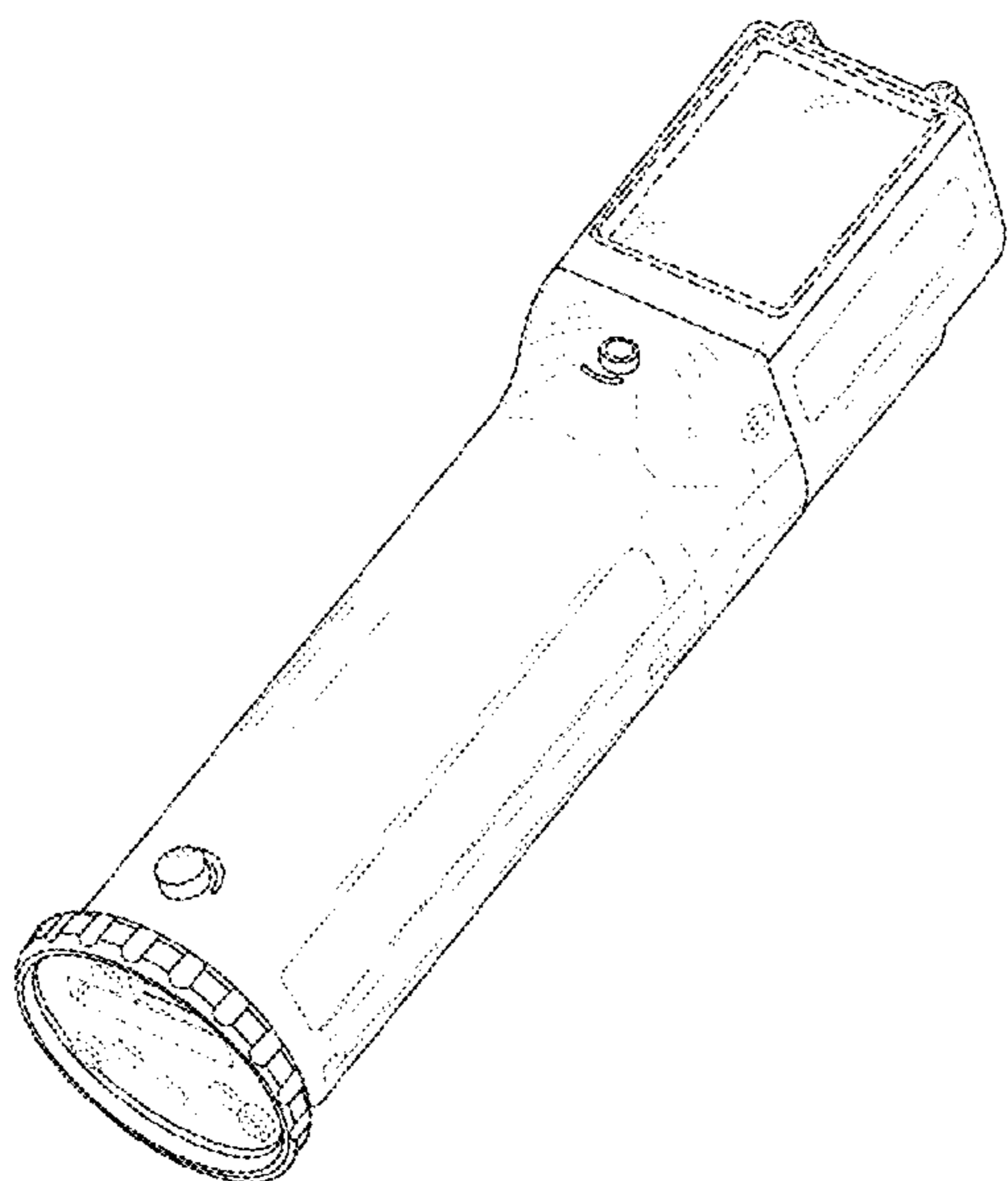
FIG. 7 is a front view thereof.

The broken lines shown in the figures are for the purpose of illustrating the environmental structure and form no part of the claimed design.

The right side of the portable test instrument is a mirror image of the left side of the portable test instrument depicted in FIG. 5.

The shade lines in the figures show contour and not surface ornamentation.

**1 Claim, 6 Drawing Sheets**



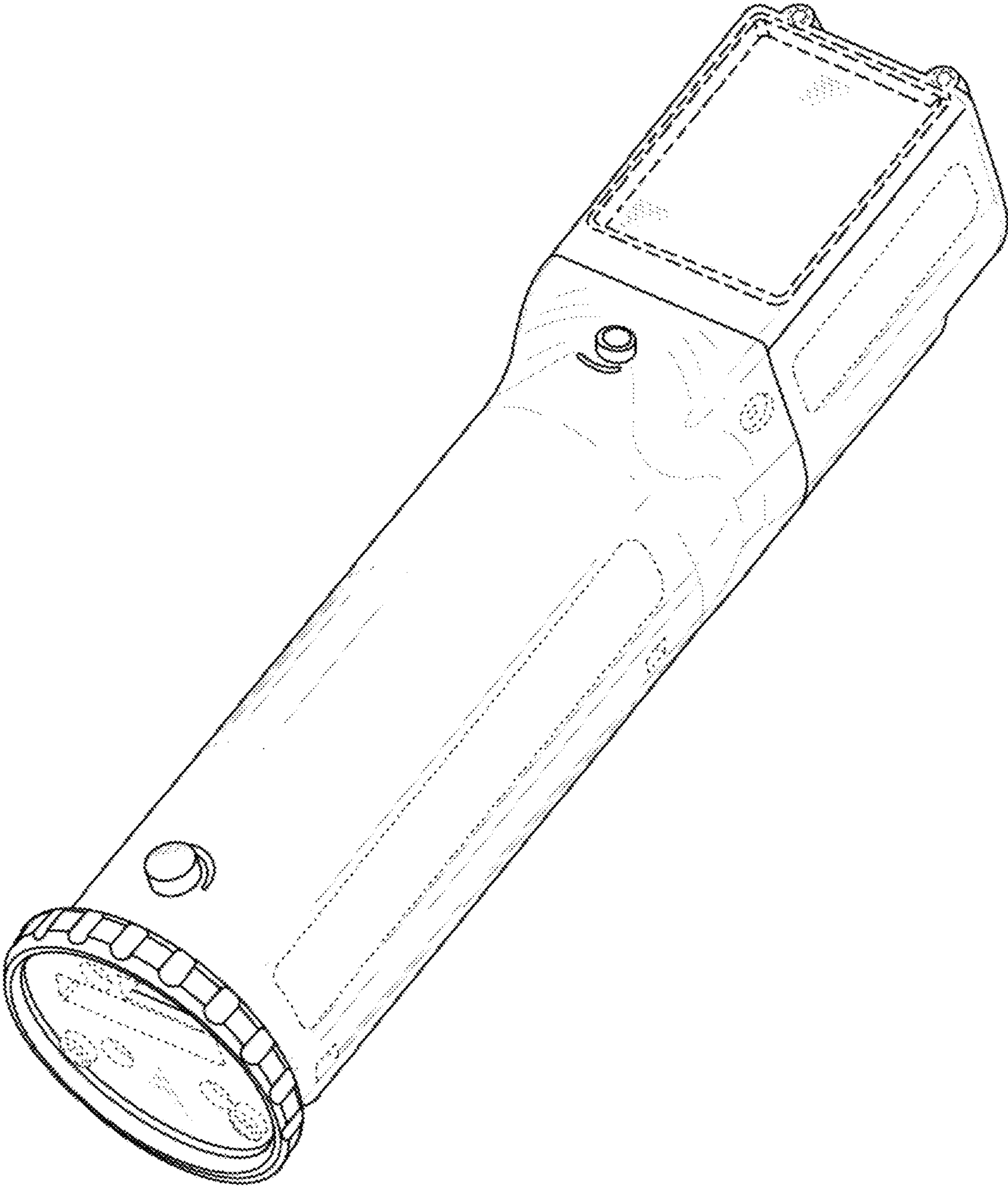


FIG. 1

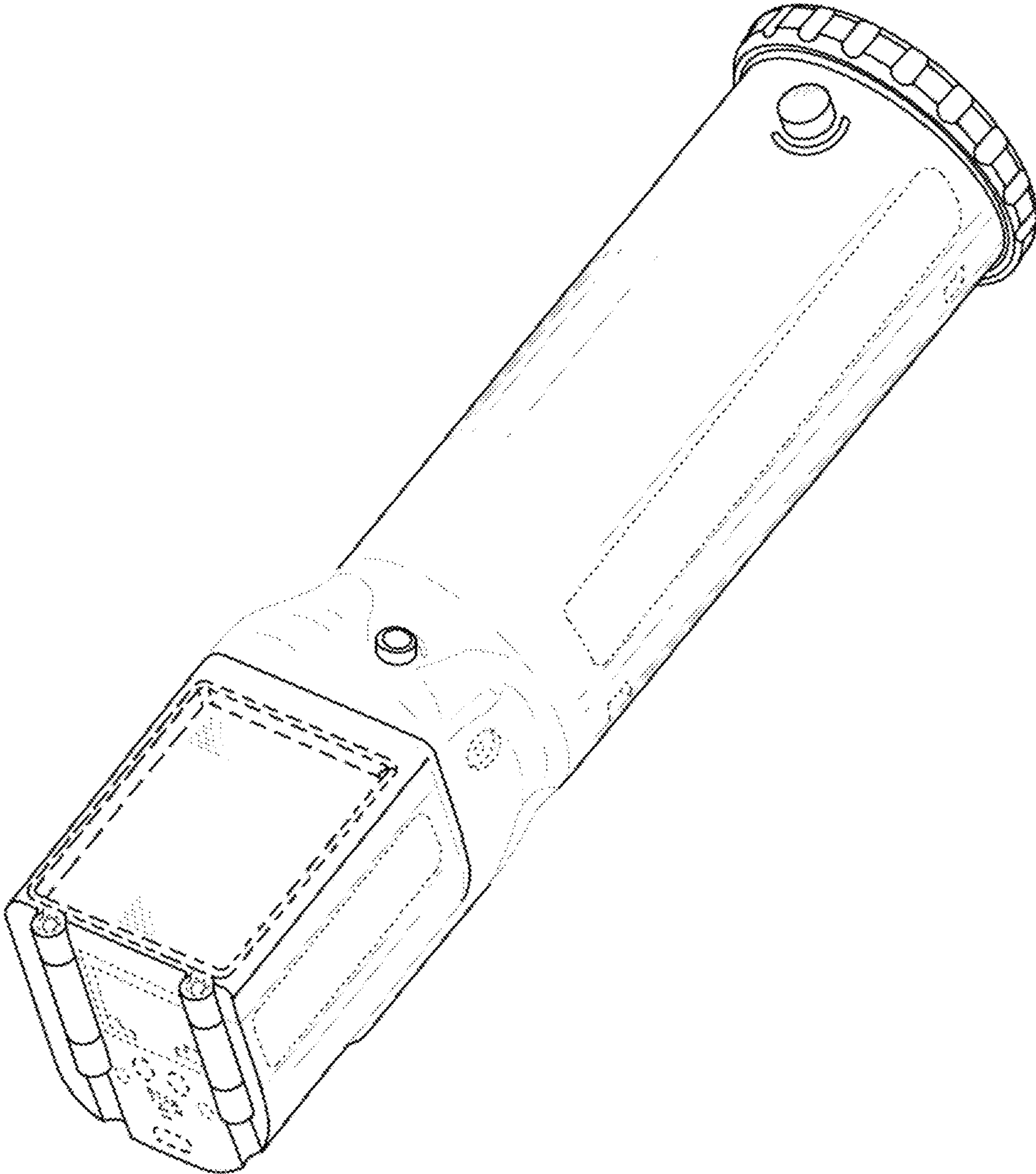


FIG. 2

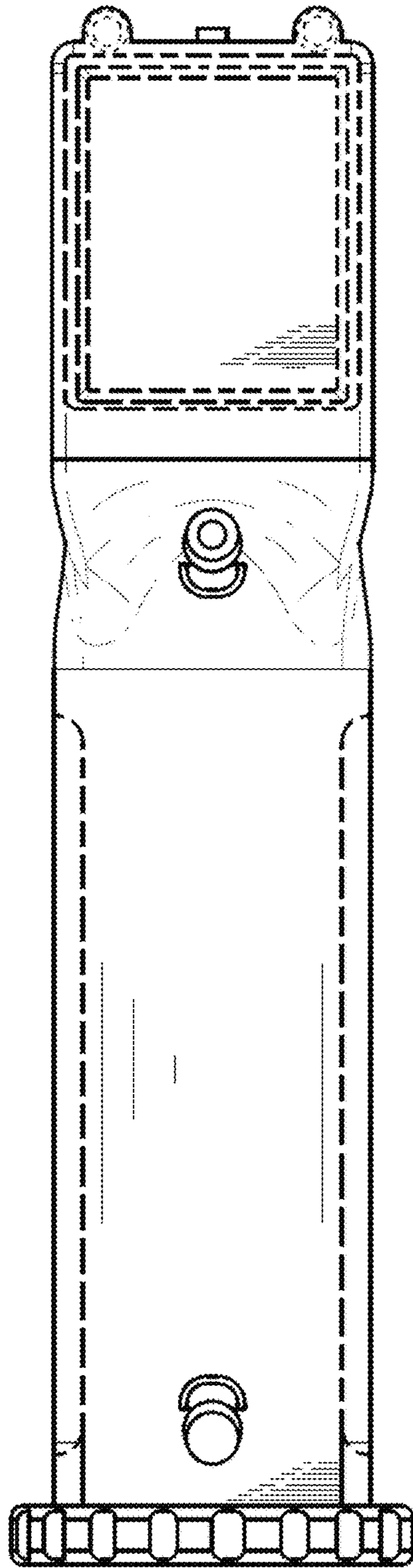


FIG. 3

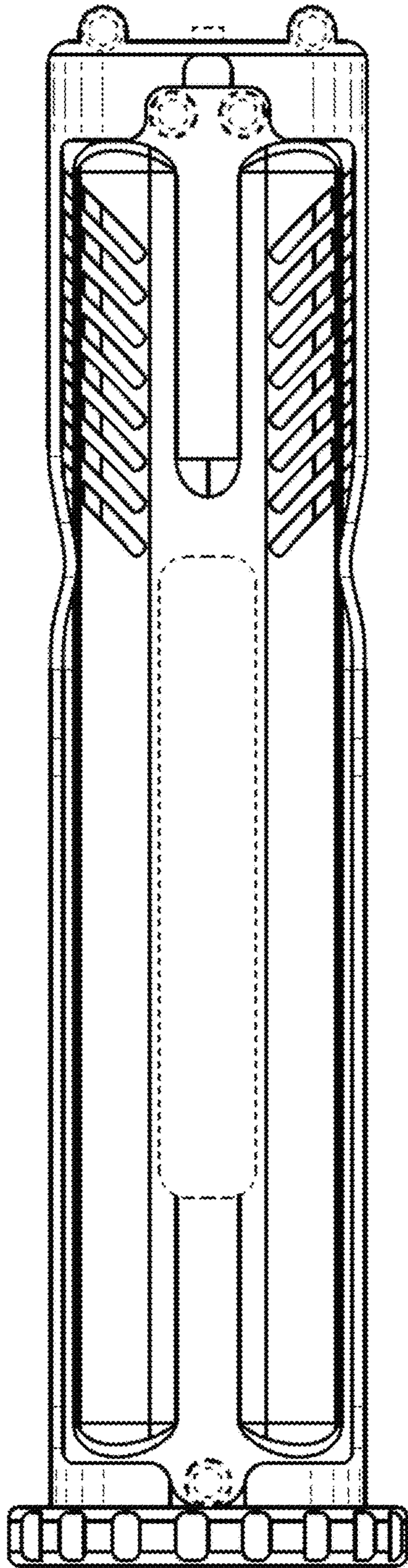


FIG. 4

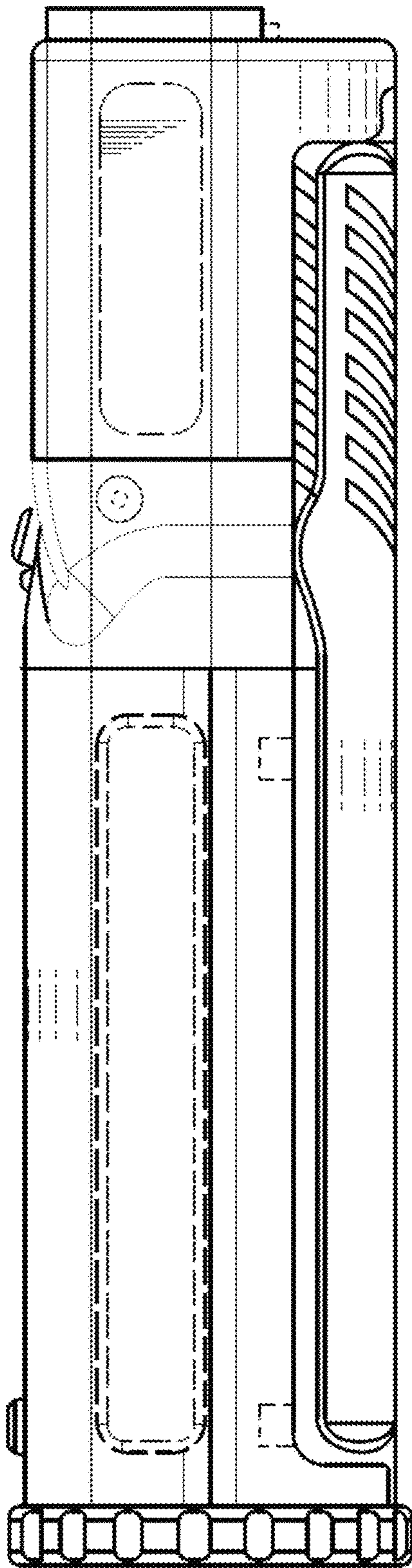


FIG. 5

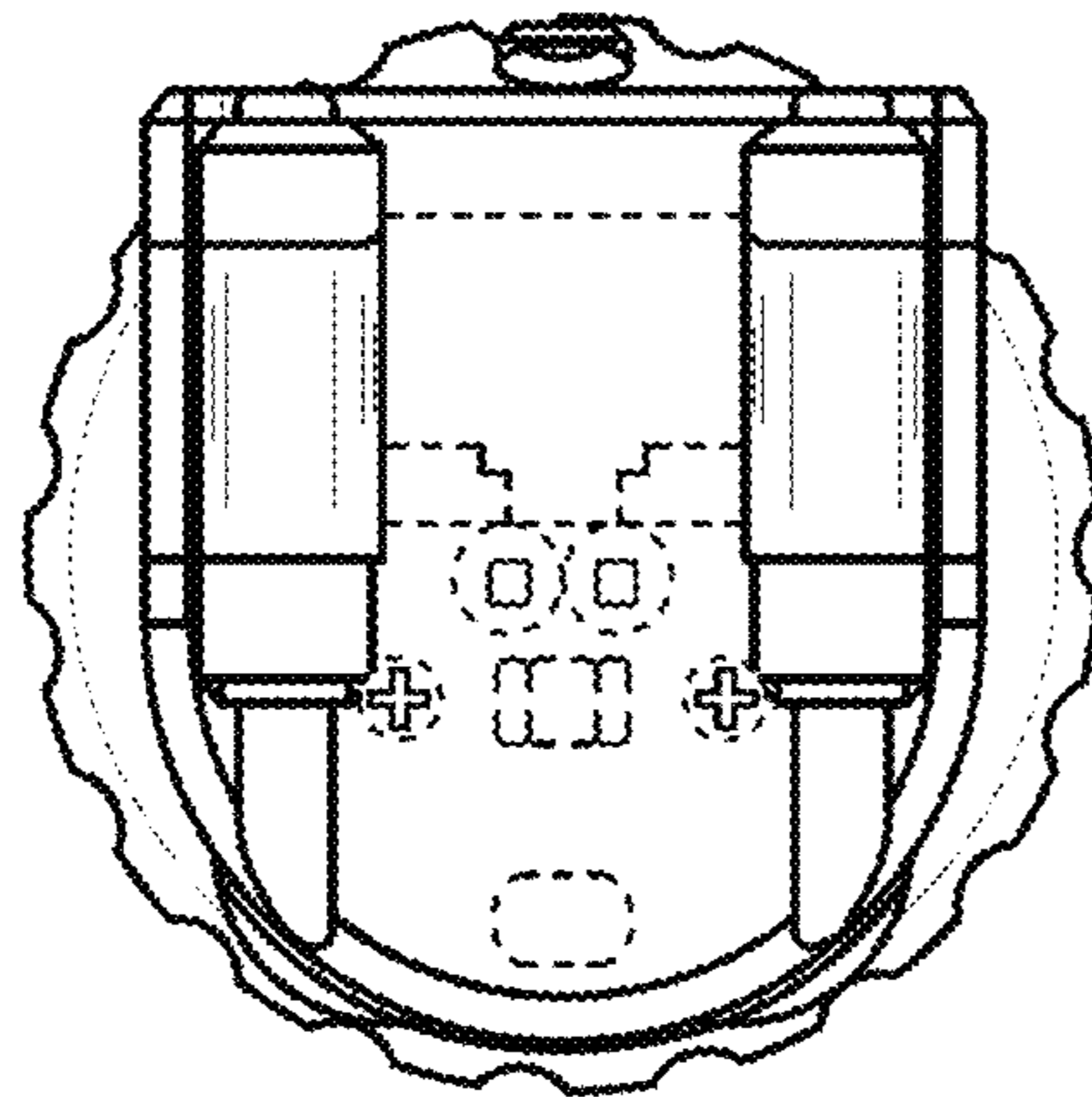


FIG. 6

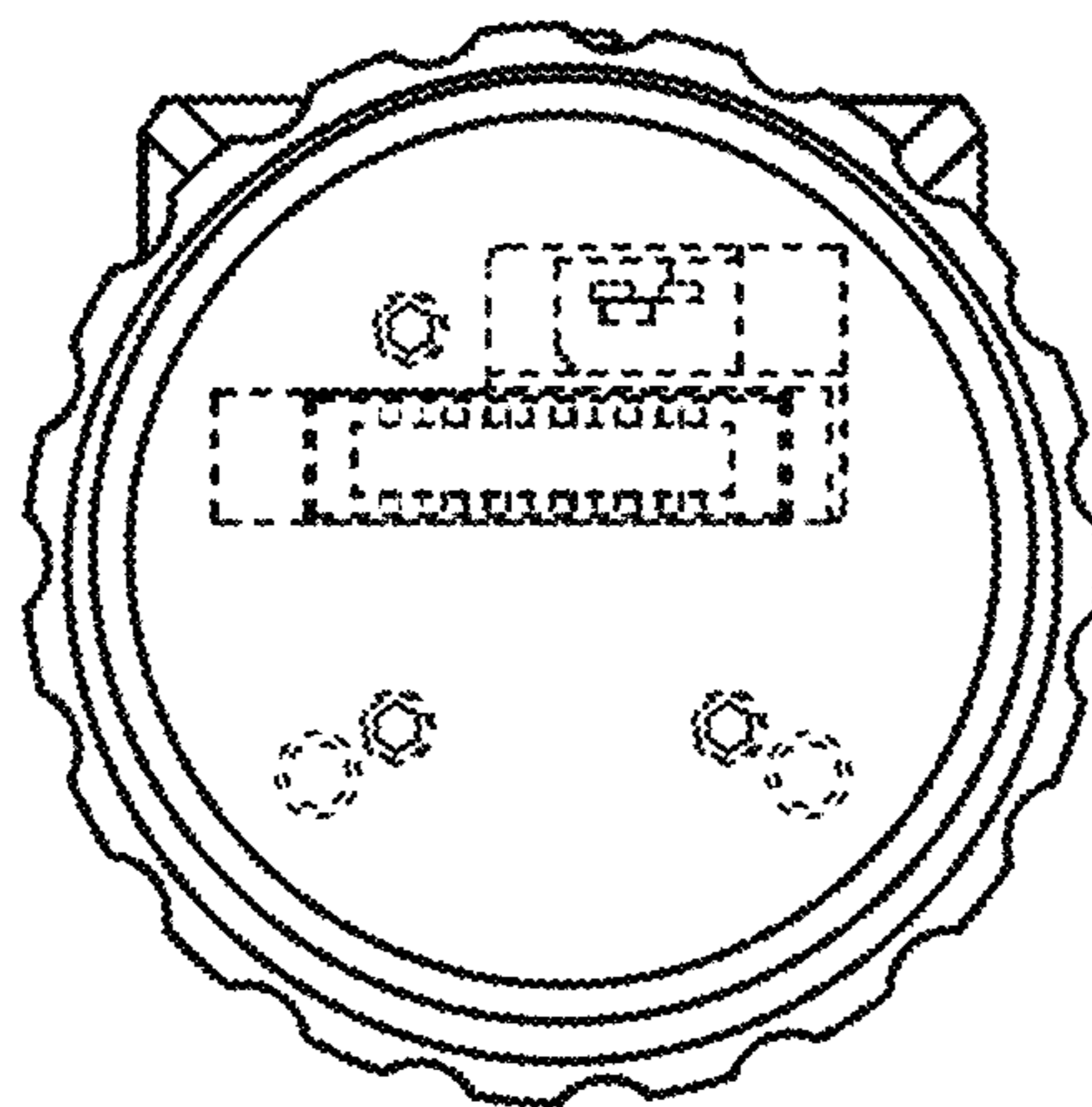


FIG. 7