



US00D830862S

(12) **United States Design Patent**
Iden et al.

(10) **Patent No.:** **US D830,862 S**
(45) **Date of Patent:** **** Oct. 16, 2018**

- (54) **GEOLOGICAL COMPASS**
- (71) Applicant: **Real Science Innovations, LLC**,
Lander, WY (US)
- (72) Inventors: **Marlin D. Iden**, Riverton, WY (US);
David M. Heerschap, Lander, WY
(US); **Lauren K. Heerschap**, Lander,
WY (US)
- (73) Assignee: **REAL SCIENCE INNOVATIONS,**
LLC, Lander, WY (US)
- (**) Term: **15 Years**
- (21) Appl. No.: **29/589,113**
- (22) Filed: **Dec. 28, 2016**

Related U.S. Application Data

- (63) Continuation-in-part of application No. 14/752,055,
filed on Jun. 26, 2015, now Pat. No. 9,851,203.
- (51) **LOC (11) Cl.** **10-04**
- (52) **U.S. Cl.**
USPC **D10/68**
- (58) **Field of Classification Search**
USPC D10/68
CPC G01C 17/00; G01C 17/02; G01C 17/04;
G01C 17/06; G01C 17/08; G01C 17/10;
G01C 17/12; G01C 17/14; G01C 17/16;
G01C 17/18; G01C 17/20; G01C 17/22;
G01C 17/24; G01C 17/26; G01C 17/28;
G01C 17/30; G01C 17/32; G01C 17/34;
G01C 17/36; G01C 17/38
See application file for complete search history.

(56) **References Cited**

U.S. PATENT DOCUMENTS

- 526,021 A 9/1894 Brunton
- 590,696 A 9/1897 Batson

- 709,046 A 9/1902 Rueger
 - 725,073 A 4/1903 Gouyard
 - 921,889 A 5/1909 Reynolds
 - 997,222 A 7/1911 Wainwright
 - 1,468,368 A 9/1923 Morgan
- (Continued)

FOREIGN PATENT DOCUMENTS

- EP 0668484 8/1995
 - EP 2546606 1/2013
- (Continued)

OTHER PUBLICATIONS

“Axis Transit Instruction Manual,” Brunton, 2014, 15 pages.
(Continued)

Primary Examiner — Antoine D Davis
(74) *Attorney, Agent, or Firm* — Sheridan Ross PC

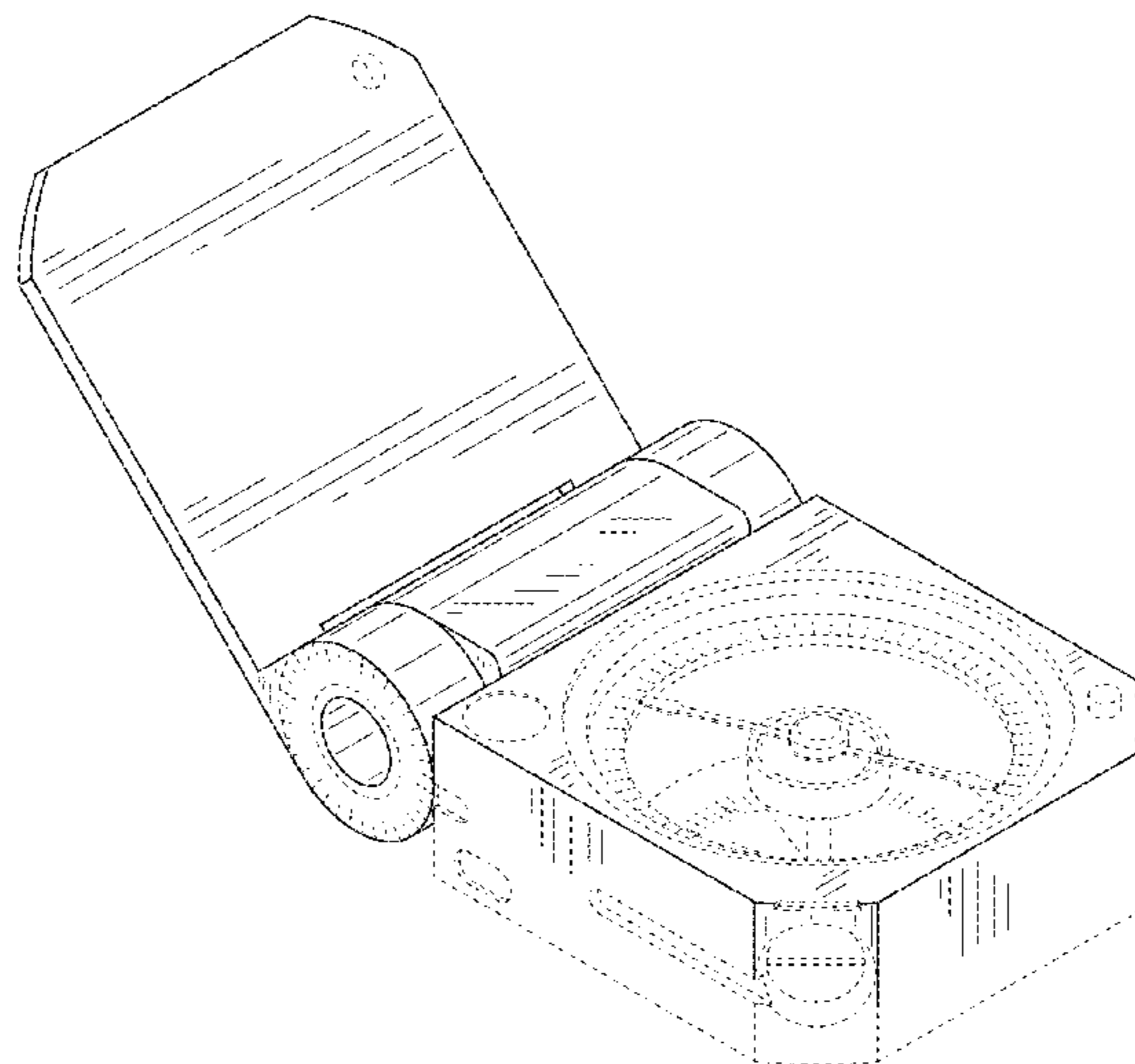
(57) **CLAIM**

The ornamental design for a geological compass, as shown and described.

DESCRIPTION

FIG. 1 is a front perspective view showing the new design of the geological compass in an open configuration; FIG. 2 is a front elevation view thereof; FIG. 3 is a rear elevation view thereof; FIG. 4 is a right elevation view thereof; FIG. 5 is a left elevation view thereof; FIG. 6 is a top plan view thereof; FIG. 7 is a bottom plan view thereof; FIG. 8 is a front perspective view showing the geological compass of FIG. 1 in a closed configuration; and, FIG. 9 is a front perspective view showing the geological compass of FIG. 1 in an open and rotated configuration. The broken lines are provided for the purpose of illustrating environment and form no part of the claimed design.

1 Claim, 8 Drawing Sheets



(56)

References Cited

U.S. PATENT DOCUMENTS

1,474,394 A 11/1923 Warburg
 1,571,697 A 2/1926 Bernegau
 1,936,846 A 11/1933 Leupold
 1,944,104 A 1/1934 Nidermann
 2,019,411 A 10/1935 Hassel
 2,027,952 A 1/1936 Bandoly
 2,108,263 A 2/1938 L'Abée-Lund
 2,111,829 A 3/1938 Winterer et al.
 2,141,173 A 12/1938 Cordova
 2,358,589 A 9/1944 Piffath
 D150,298 S * 7/1948 Johanson et al. D10/45
 2,487,044 A 11/1949 Cude
 2,498,083 A 2/1950 Kennedy et al.
 2,680,297 A 6/1954 Vaucher
 2,822,618 A 2/1958 Wendel
 2,857,679 A 10/1958 Le Bleu
 2,878,578 A 3/1959 Howard
 2,914,862 A 12/1959 Hendriks
 3,160,961 A 12/1964 Linehan
 3,184,854 A 5/1965 Grasse
 3,191,306 A 6/1965 Kierans
 3,217,420 A 11/1965 Dinsmore
 3,876,313 A 4/1975 Messler et al.
 4,020,559 A 5/1977 Sherman
 4,081,912 A 4/1978 Laney
 4,095,348 A 6/1978 Kramer
 4,158,260 A 6/1979 Berger et al.
 4,175,333 A 11/1979 Kramer
 4,395,828 A 8/1983 Juhas
 4,438,568 A 3/1984 Kramer et al.
 4,622,750 A 11/1986 Dudek et al.
 D290,093 S 6/1987 Kramer et al.
 4,700,490 A 10/1987 Kramer et al.
 4,899,453 A 2/1990 Bhat et al.
 5,086,568 A 2/1992 McKeown et al.
 D369,982 S 5/1996 Chang
 6,094,830 A 8/2000 Gloor et al.
 6,145,209 A 11/2000 Chana
 6,357,128 B1 3/2002 Iden
 6,516,526 B1 2/2003 Iden
 6,578,277 B1 6/2003 Chang
 6,647,633 B2 11/2003 Iden
 6,701,631 B1 3/2004 Monteiro et al.
 6,739,063 B2 5/2004 Chang
 7,134,213 B1 11/2006 Ashin
 7,331,114 B1 2/2008 Belew
 7,991,441 B2 8/2011 Kim et al.
 8,296,960 B1 10/2012 Iden
 8,322,041 B1 12/2012 Iden
 8,393,086 B1 3/2013 Kihm
 8,509,862 B2 8/2013 Jin et al.
 8,640,351 B2 2/2014 Chang
 8,695,225 B2 4/2014 Eden
 2003/0110651 A1 6/2003 Chang
 2006/0146030 A1 7/2006 Kim
 2010/0095878 A1 4/2010 Kilgus

2011/0128511 A1 6/2011 Ko et al.
 2013/0014397 A1 1/2013 Iden
 2013/0014398 A1 1/2013 Iden
 2013/0239422 A1 9/2013 Kang et al.
 2014/0182149 A1 7/2014 Chapman
 2015/0185004 A1* 7/2015 Ryoo E02D 1/00
 33/301
 2015/0377620 A1 12/2015 Heersehap et al.

FOREIGN PATENT DOCUMENTS

GB 366210 2/1932
 WO WO 2013/187584 12/2013

OTHER PUBLICATIONS

“Basic stratum compass GEKOM,” F.W. Breithaupt & Sohn GmbH & Co. KG, 2015, 1 page [retrieved from: <http://www.breithaupt.de/en/products/magnetic-compasses/geological-compasses/gekom/>].
 “Geo Tansit Operator’s Manual,” Brunton, 2001, 17 pages.
 “Gimbal,” Wikipedia, the free encyclopedia, last modified Apr. 14, 2015, 6 pages [retrieved from: <http://en.wikipedia.org/w/index.php?title=Gimbal&oldid=656506107>].
 “Inclinometer,” Wikipedia, the free encyclopedia, last modified May 31, 2015, 6 pages [retrieved from: <http://en.wikipedia.org/w/index.php?title=Inclinometer&oldid=664817982>].
 “Silva Ranger® CL Compass—Silva Compasses,” Johnson Outdoors Gear LLC, © 2013, 2 pages [retrieved from: <https://web.archive.org/web/20130914062148/http://store.silvacompass.com/professional-military-ranger-cl>].
 “Stratum compass COCLA,” F.W. Breithaupt & Sohn GmbH & Co. KG, 2006, 1 page [retrieved from: <http://www.breithaupt.de/en/products/magnetic-compasses/geological-compasses/cocla/>].
 “Strike and dip,” Wikipedia, the free encyclopedia, last modified Apr. 7, 2015, 3 pages [retrieved from: http://en.wikipedia.org/w/index.php?title=Strike_and_dip&oldid=655348018].
 Babaie “The Brunton® Compass and Geological Objects.” Georgia State University, Department of Geology, 2001, 8 pages.
 COE “Geological Field Techniques,” Blackwell Publishing Ltd., 2010, 337 pages.
 International Search Report and Written Opinion for International (PCT) Patent Application No. PCT/US15/37873, dated Oct. 13, 2015 8 pages.
 International Preliminary Report on Patentability for International (PCT) Patent Application No. PCT/US15/37873, dated Dec. 27, 2016 6 pages.
 Examination Report for Community Design Application No. 003556109, dated Jan. 12, 2017, 1 page.
 Examination Report for European Design Application No. 003556109-0001; dated May 16, 2017 5 pages.
 Official Action for U.S. Appl. No. 14/752,055, dated Mar. 20, 2017 10 pages.
 Notice of Allowance for U.S. Appl. No. 14/752,055, dated Aug. 11, 2017 9 pages.

* cited by examiner

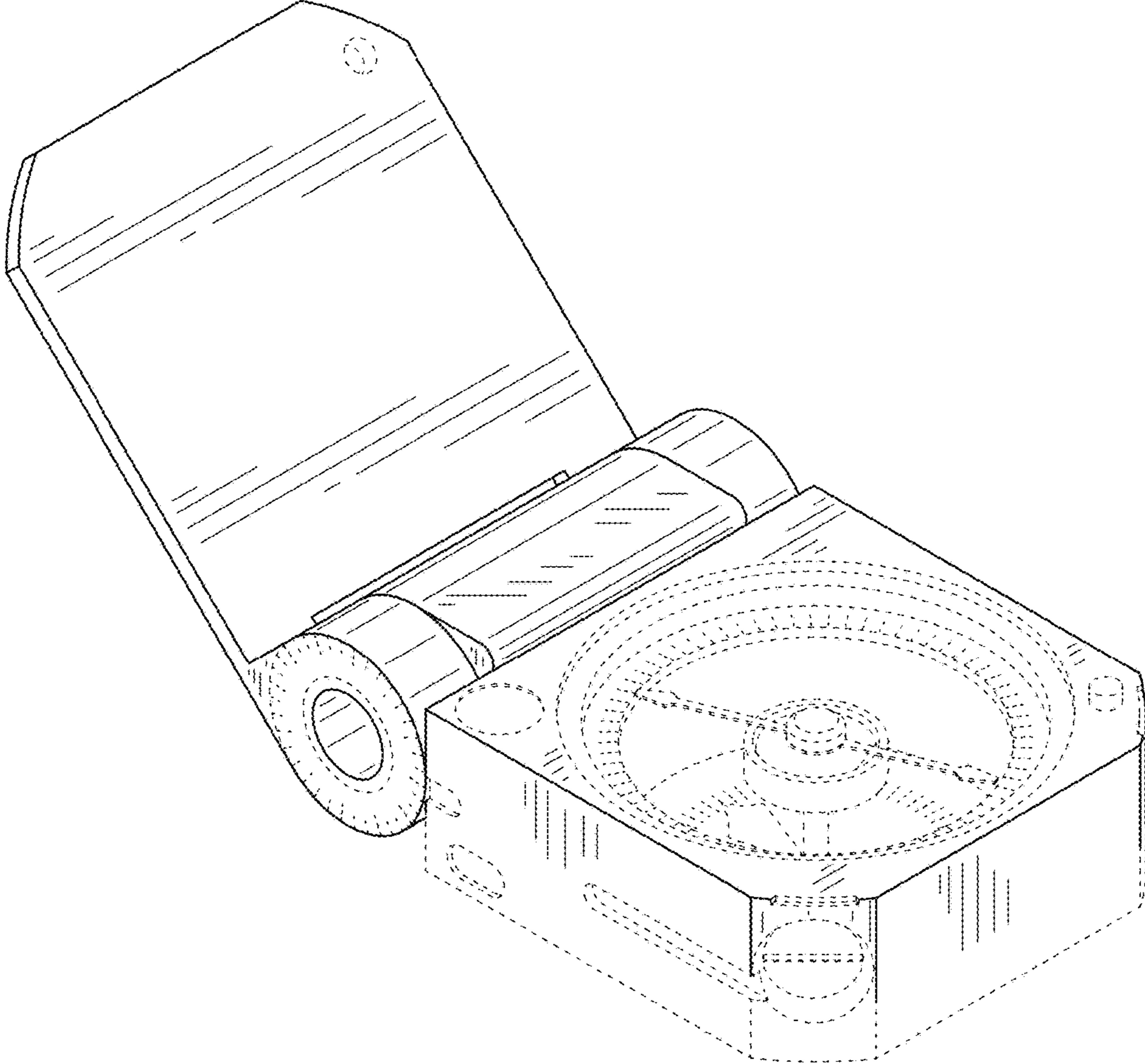


FIG.1

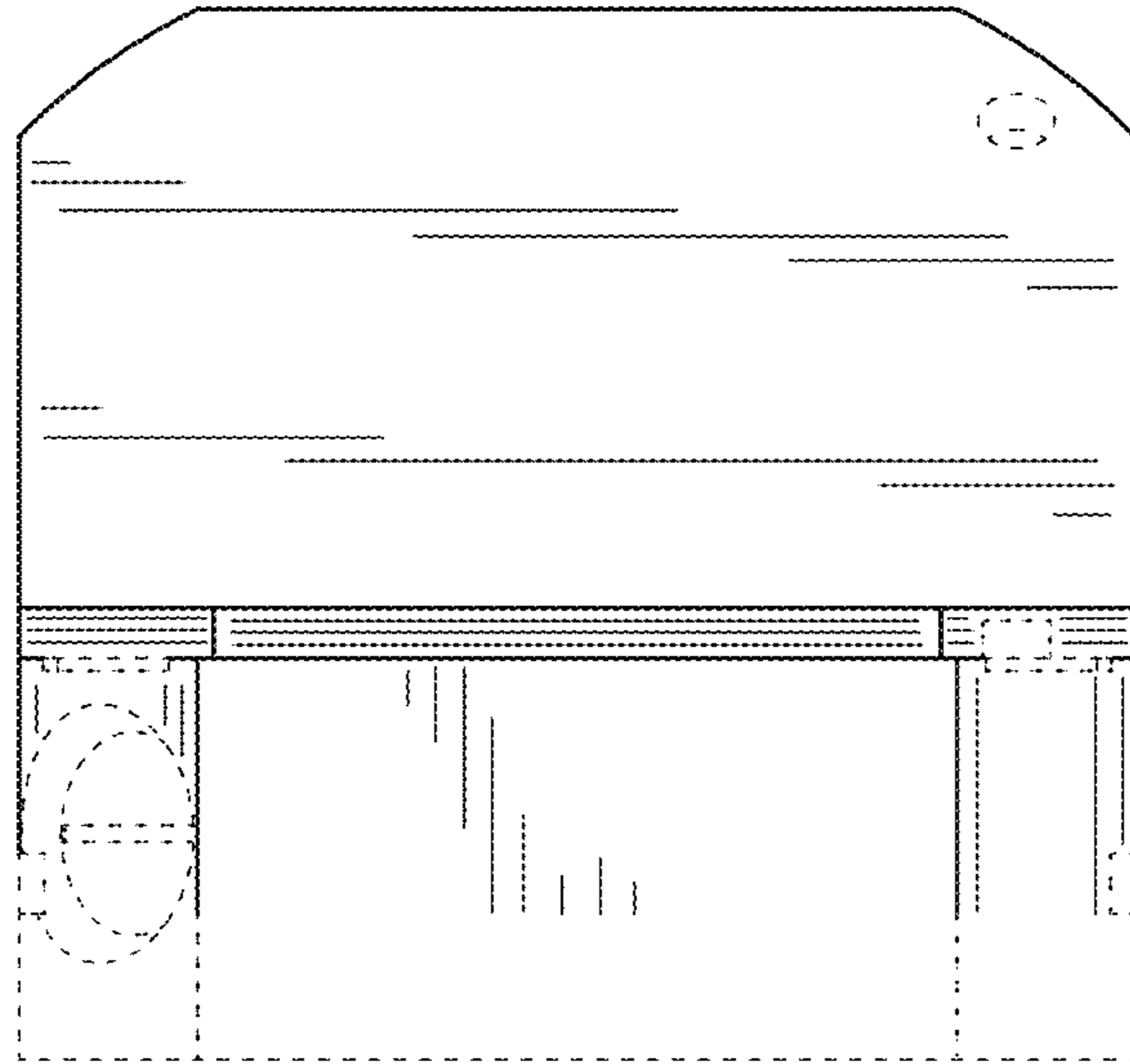


FIG. 2

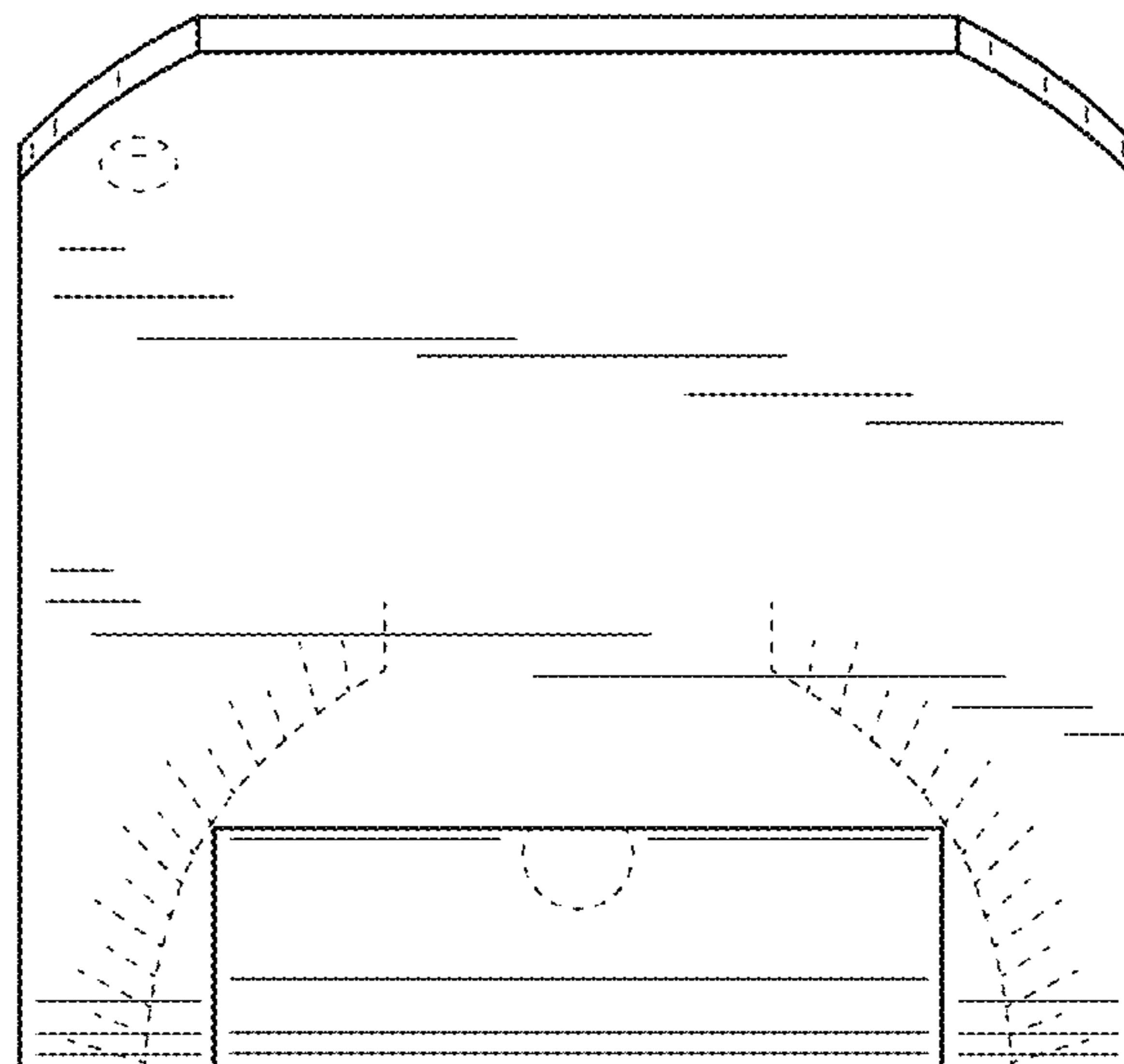


FIG. 3

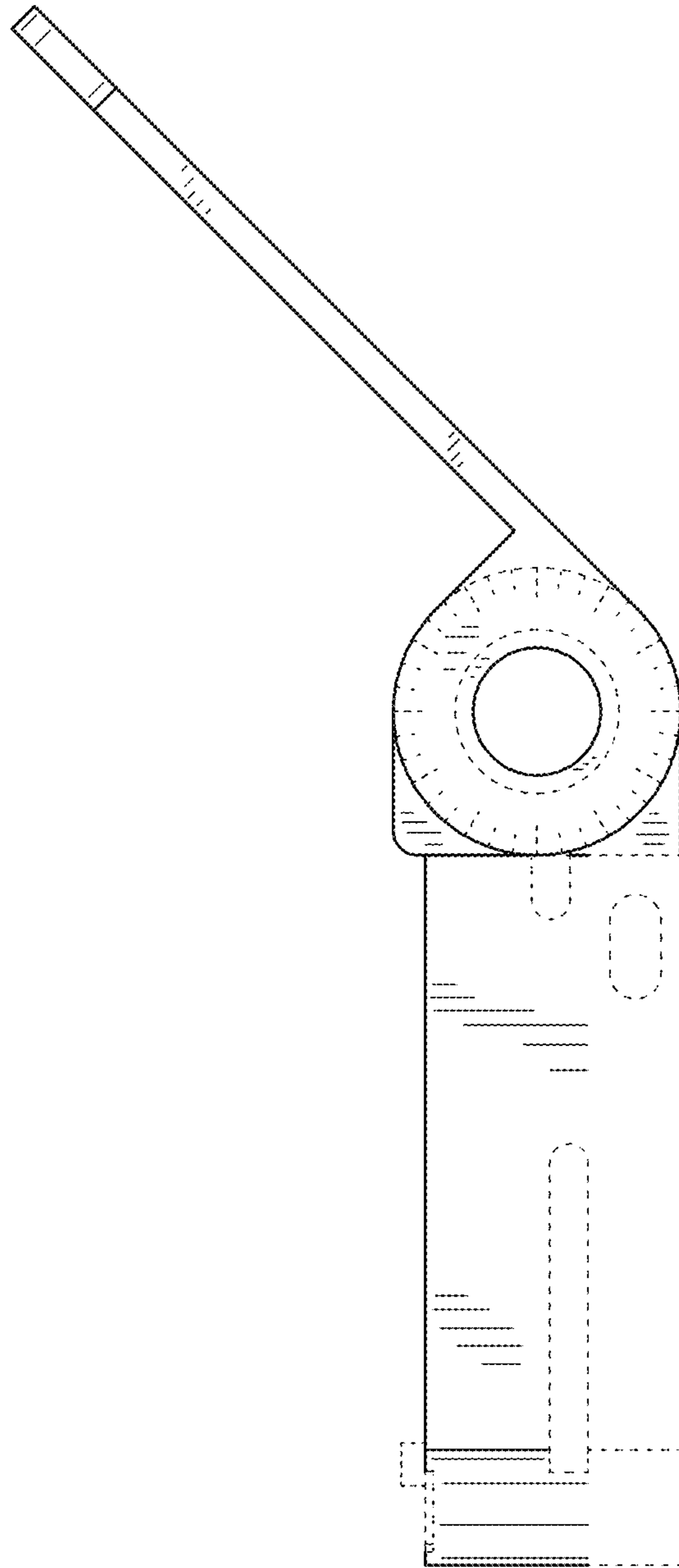


FIG.4

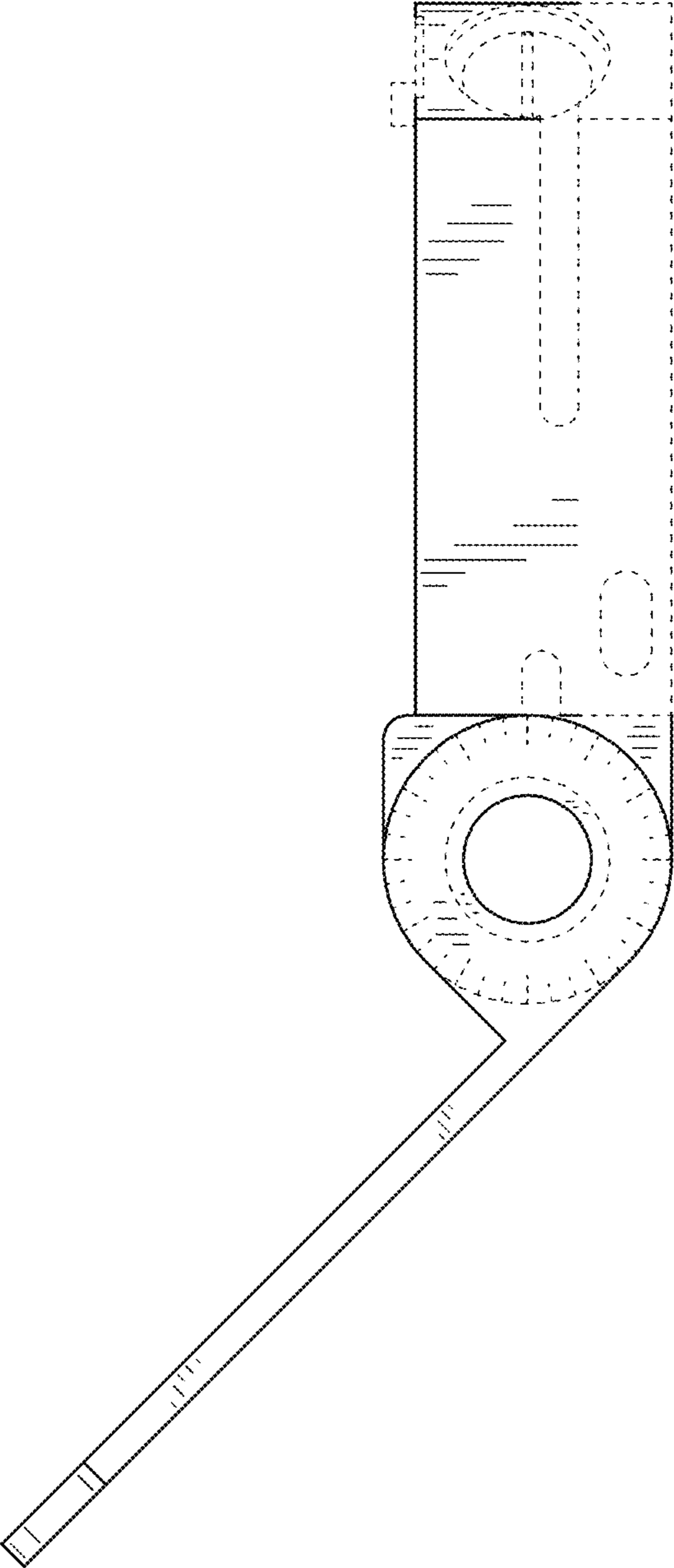


FIG.5

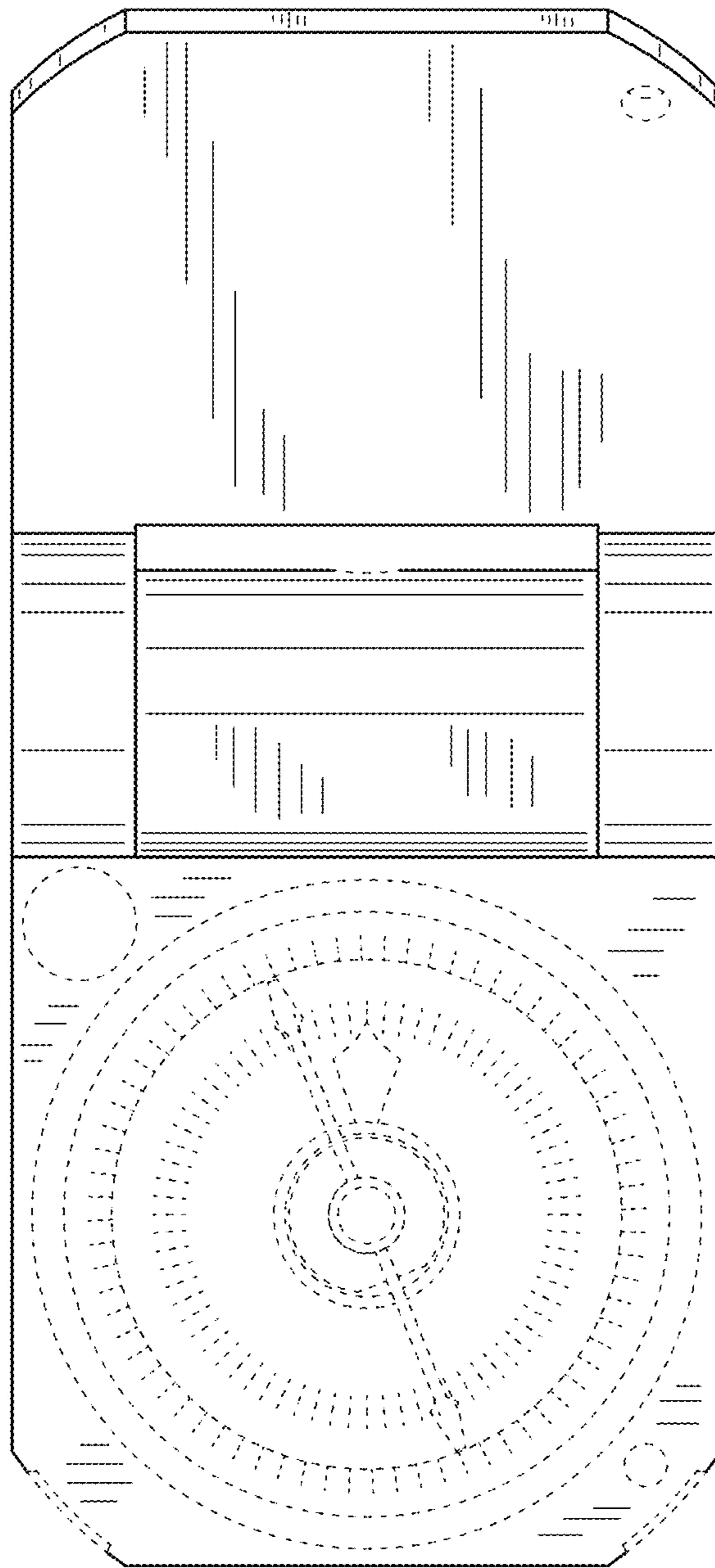


FIG. 6

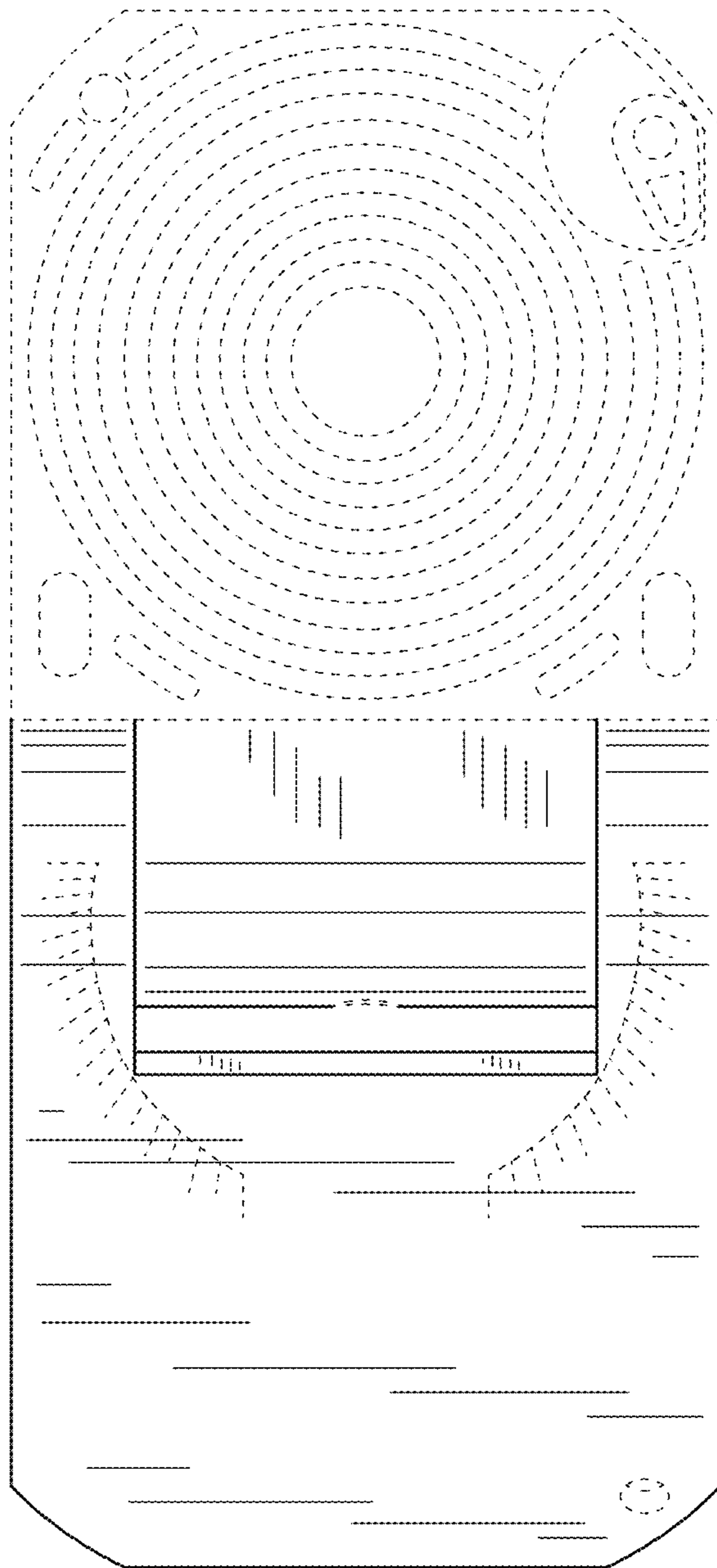


FIG. 7

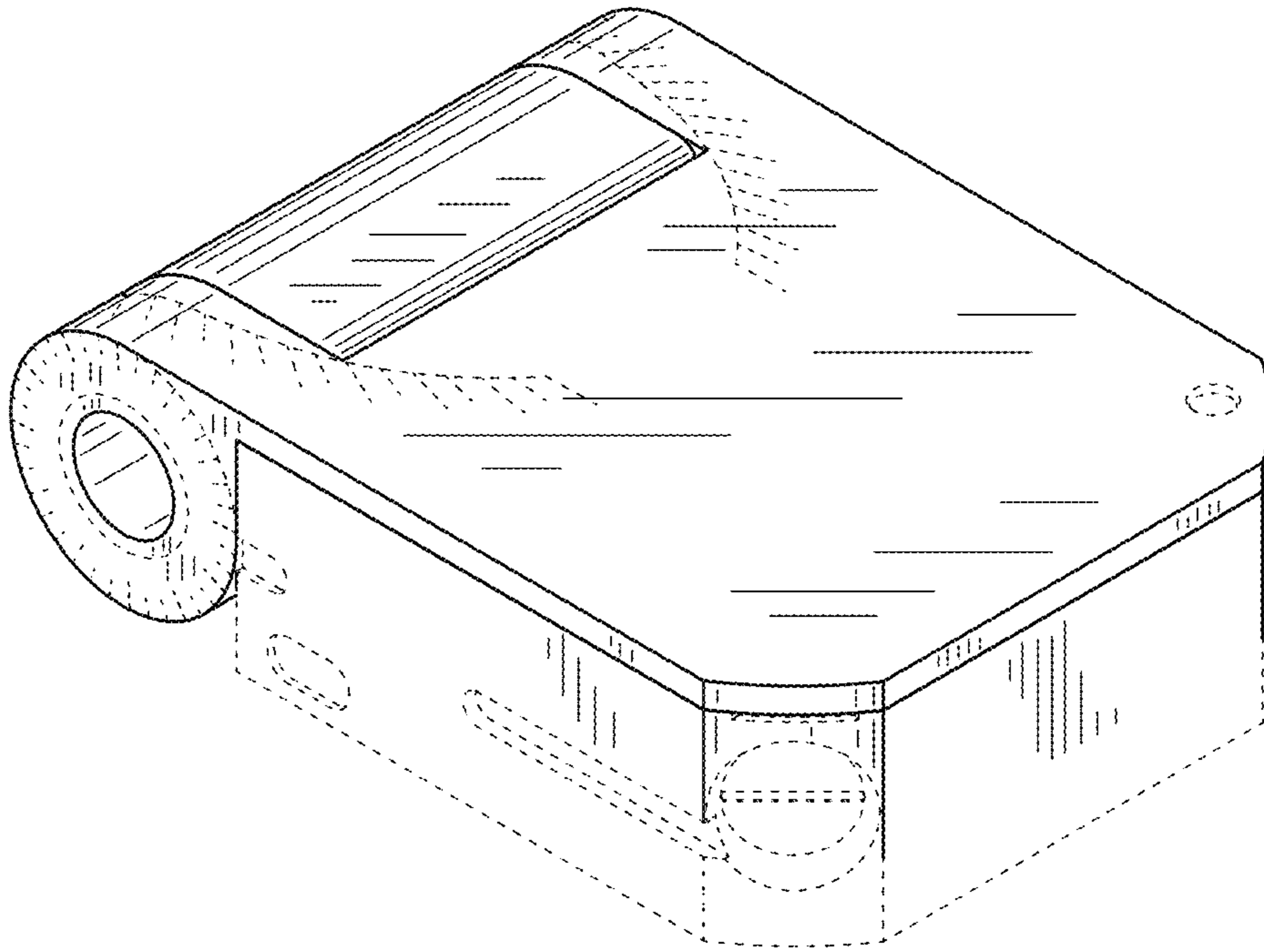


FIG.8

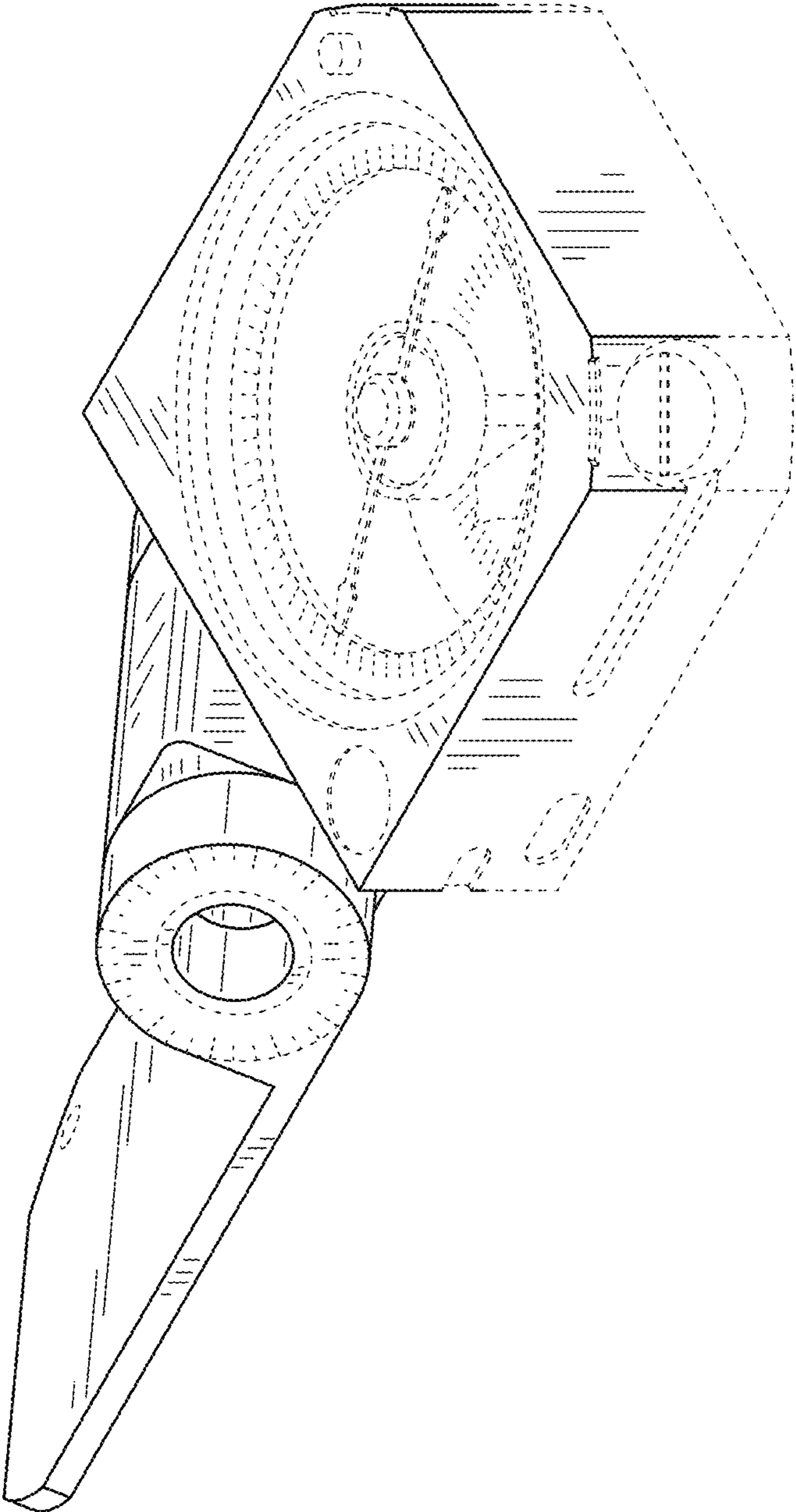


FIG. 9