



US00D830859S

(12) **United States Design Patent**  
**Levy et al.**

(10) **Patent No.:** **US D830,859 S**  
(45) **Date of Patent:** **\*\* Oct. 16, 2018**

(54) **ADJUSTABLE MEASURING SPOON**

FOREIGN PATENT DOCUMENTS

(71) Applicant: **NAVAJO MANUFACTURING COMPANY, INC.**, Denver, CO (US)

DE 2847445 5/1980  
DE 102009033018 A1 3/2011

(72) Inventors: **Gordon Levy**, Golden, CO (US);  
**Shawn Shelton**, Denver, CO (US)

*Primary Examiner* — Susan Bennett Hattan  
*Assistant Examiner* — Brett Miller

(73) Assignee: **Navajo Manufacturing Company, Inc.**, Denver, CO (US)

(74) *Attorney, Agent, or Firm* — Stuebaker & Brackett PC

(\*\*) Term: **15 Years**

(57) **CLAIM**

The ornamental design for an adjustable measuring spoon, as shown and described.

(21) Appl. No.: **29/616,624**

**DESCRIPTION**

(22) Filed: **Sep. 7, 2017**

(51) **LOC (11) Cl.** ..... **10-04**

(52) **U.S. Cl.**  
USPC ..... **D10/46.2**

(58) **Field of Classification Search**  
USPC ..... D10/46.2, 46.3; D7/653, 691, 692,  
D7/316–318; D24/116  
CPC ..... G01F 19/00–19/007; A61J 7/0023; A61J  
7/0046  
See application file for complete search history.

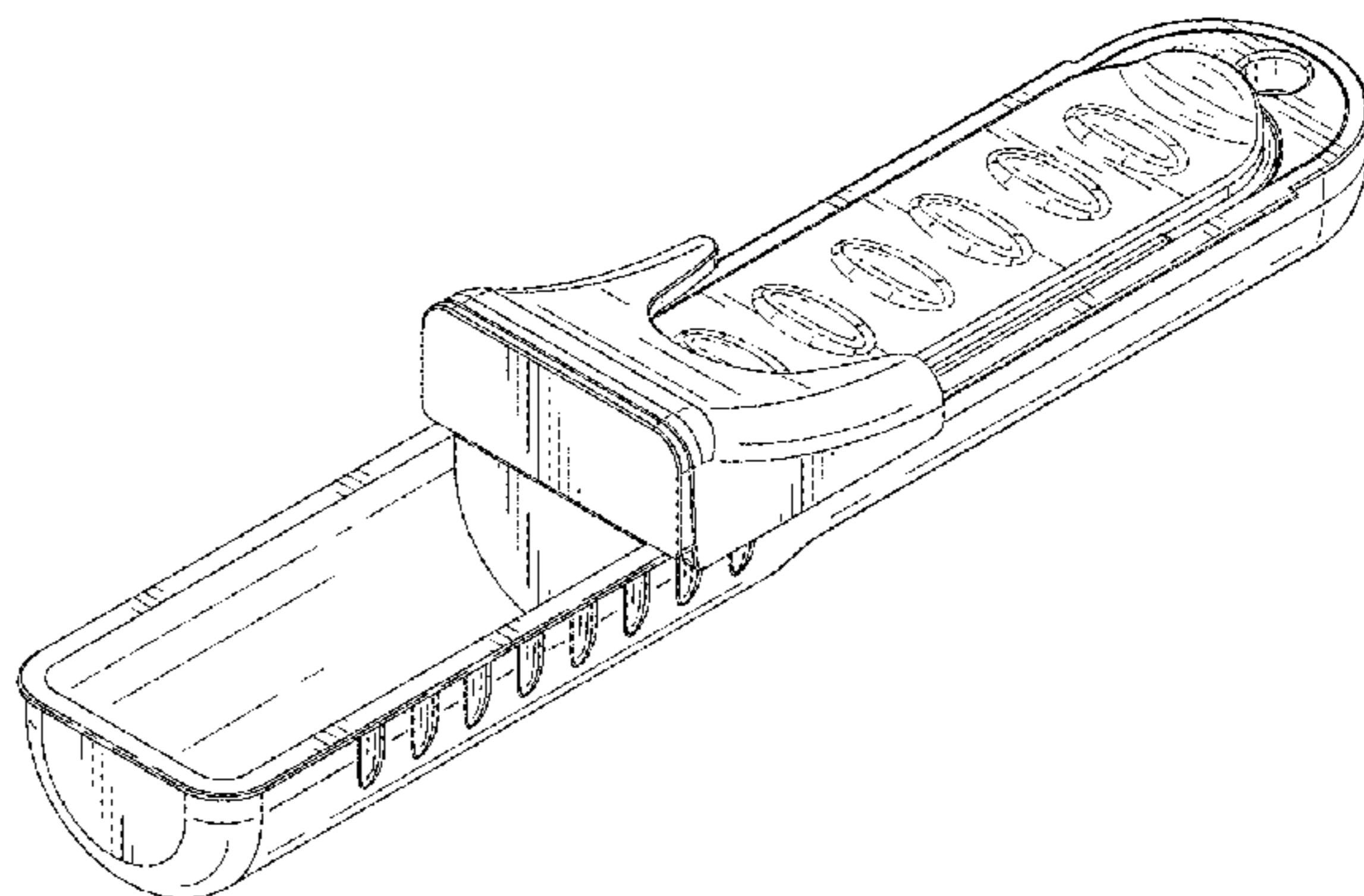
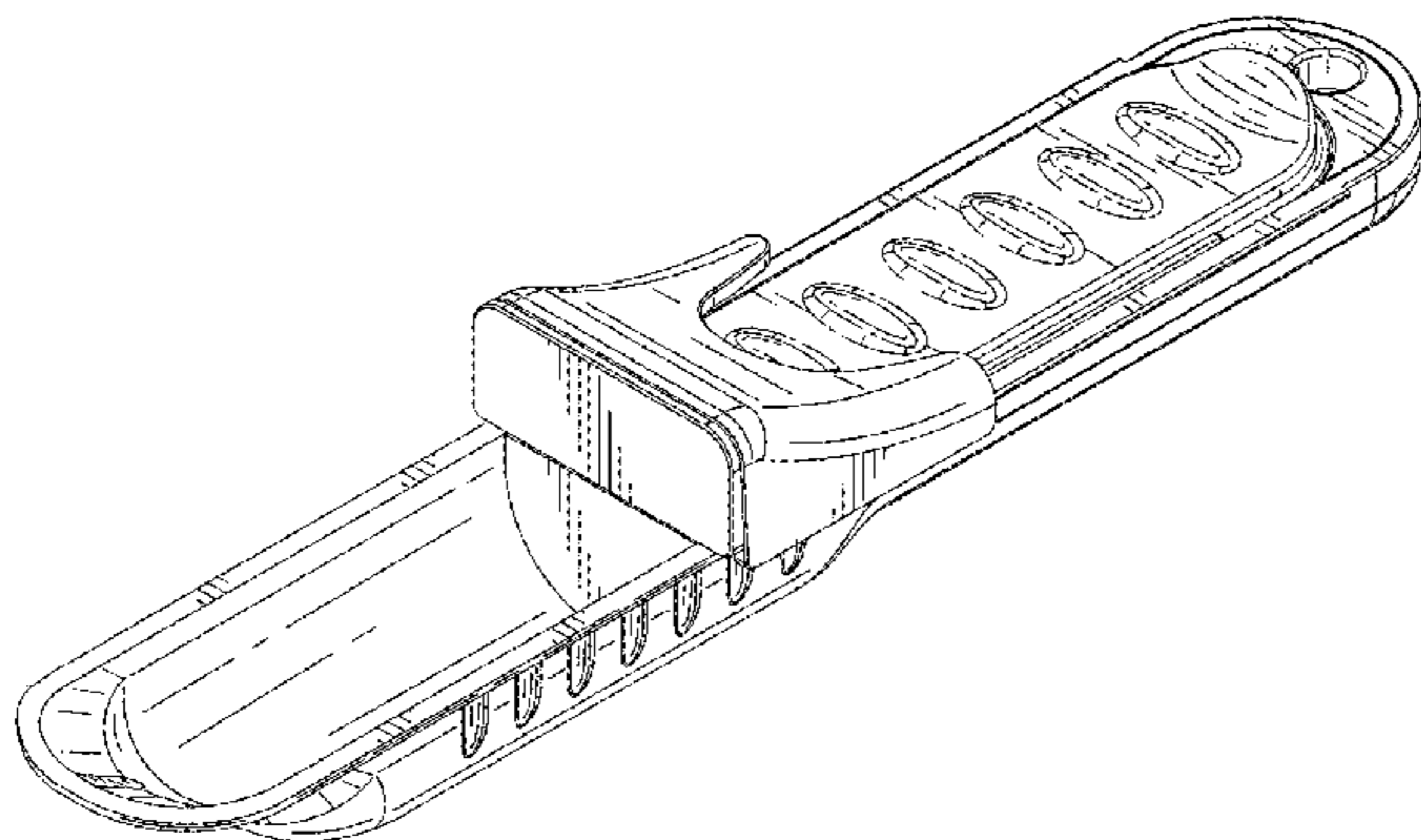
FIG. 1 is a front perspective view showing our new design for an adjustable measuring spoon, FIG. 2 is a bottom perspective view thereof, FIG. 3 is a top view thereof, FIG. 4 is a bottom view thereof, FIG. 5 is a front view thereof, FIG. 6 is a rear view thereof, FIG. 7 is a right side view thereof, FIG. 8 is a left side view thereof, FIG. 9 is a front perspective view of an alternate embodiment, FIG. 10 is a bottom perspective thereof, FIG. 11 is a top view thereof, FIG. 12 is a bottom view thereof, FIG. 13 is a front view thereof, FIG. 14 is a rear view thereof, FIG. 15 is a right side view thereof, FIG. 16 is a left side view thereof, FIG. 17 is a front perspective view of an alternate embodiment, FIG. 18 is a bottom perspective thereof, FIG. 19 is a top view thereof, FIG. 20 is a bottom view thereof, FIG. 21 is a front view thereof, FIG. 22 is a rear view thereof, FIG. 23 is a right side view thereof; and, FIG. 24 is a left side view thereof.

(56) **References Cited**

U.S. PATENT DOCUMENTS

2,389,530 A 11/1945 Miner  
D179,956 S \* 3/1957 Setecka ..... D10/46.3  
2,826,078 A \* 3/1958 Setecka ..... G01F 19/002  
73/429  
2,882,732 A \* 4/1959 Cercone ..... A61J 7/0046  
73/429  
D208,366 S 8/1967 Boster  
3,391,578 A 7/1968 Connellis  
3,690,182 A 9/1972 Rodriguez  
3,798,975 A \* 3/1974 Horst ..... G01F 19/002  
73/429  
D253,869 S \* 1/1980 Wells ..... D10/46.2  
(Continued)

**1 Claim, 9 Drawing Sheets**



(56)

**References Cited**

U.S. PATENT DOCUMENTS

D328,867	S *	8/1992	Watt .....	D10/46.2
5,182,948	A	2/1993	Robbins et al.	
D339,992	S	10/1993	Goldman	
D344,686	S *	3/1994	Weterrings .....	D10/46.2
5,325,717	A	7/1994	Robbins et al.	
5,377,879	A *	1/1995	Isaacs .....	A61J 7/0023 222/192
5,678,450	A	10/1997	Robbins et al.	
D403,255	S	12/1998	Molenaar	
D417,629	S *	12/1999	Weterrings .....	D10/46.2
D451,829	S	12/2001	McGuyer	
D452,177	S *	12/2001	McGuyer .....	D10/46.3
D467,823	S	12/2002	McGuyer	
D515,949	S *	2/2006	McGuyer .....	D10/46.2
D519,041	S *	4/2006	McGuyer .....	D10/46.2
8,336,377	B2	12/2012	Robbins	
D674,712	S	1/2013	Robbins et al.	
9,103,708	B2	8/2015	Robbins	
9,671,271	B1	6/2017	Alvey	
2014/0144228	A1	5/2014	Robbins	
2016/0096676	A1 *	4/2016	Bagley .....	G01F 19/002 222/565

\* cited by examiner

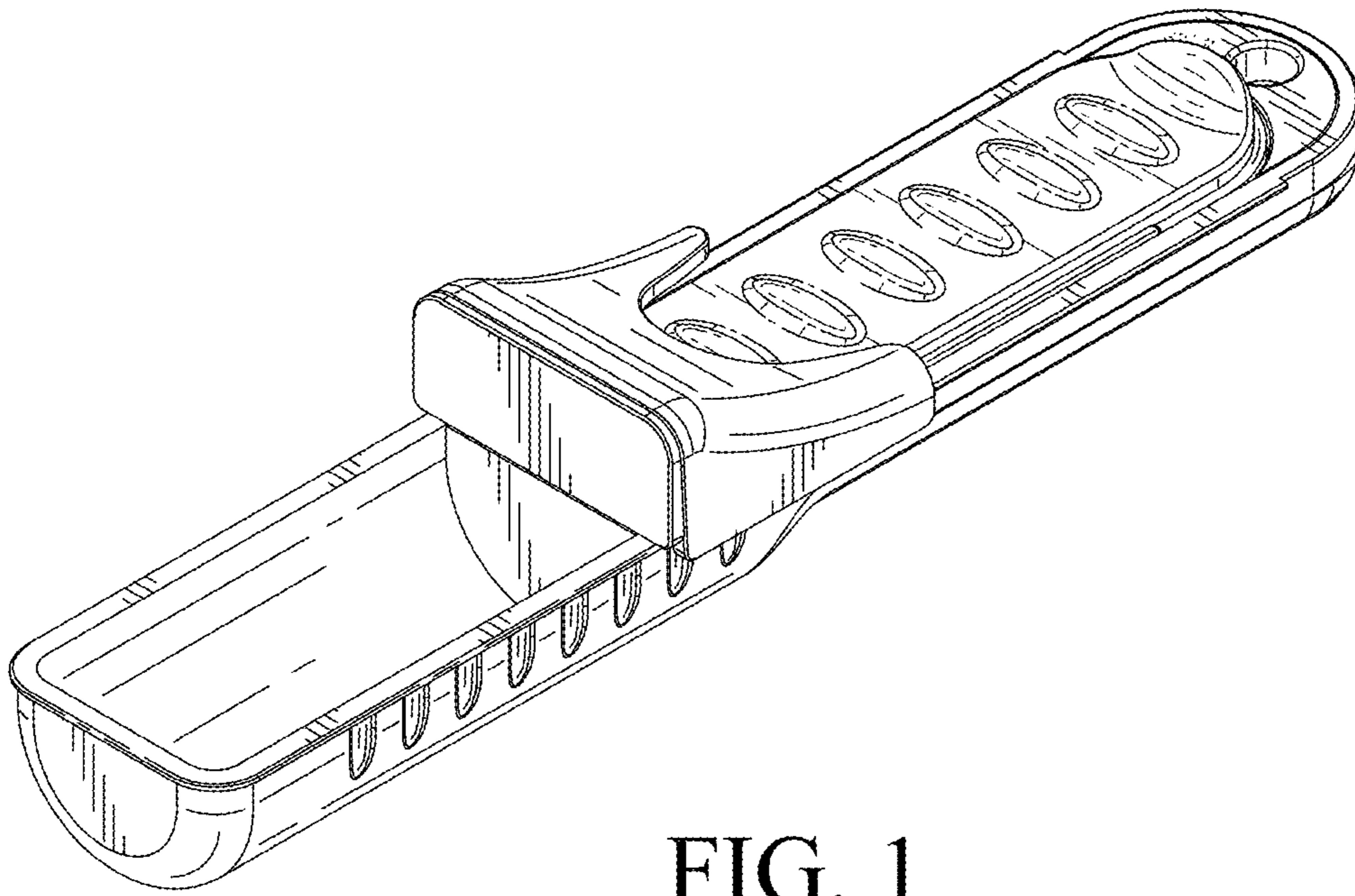


FIG. 1

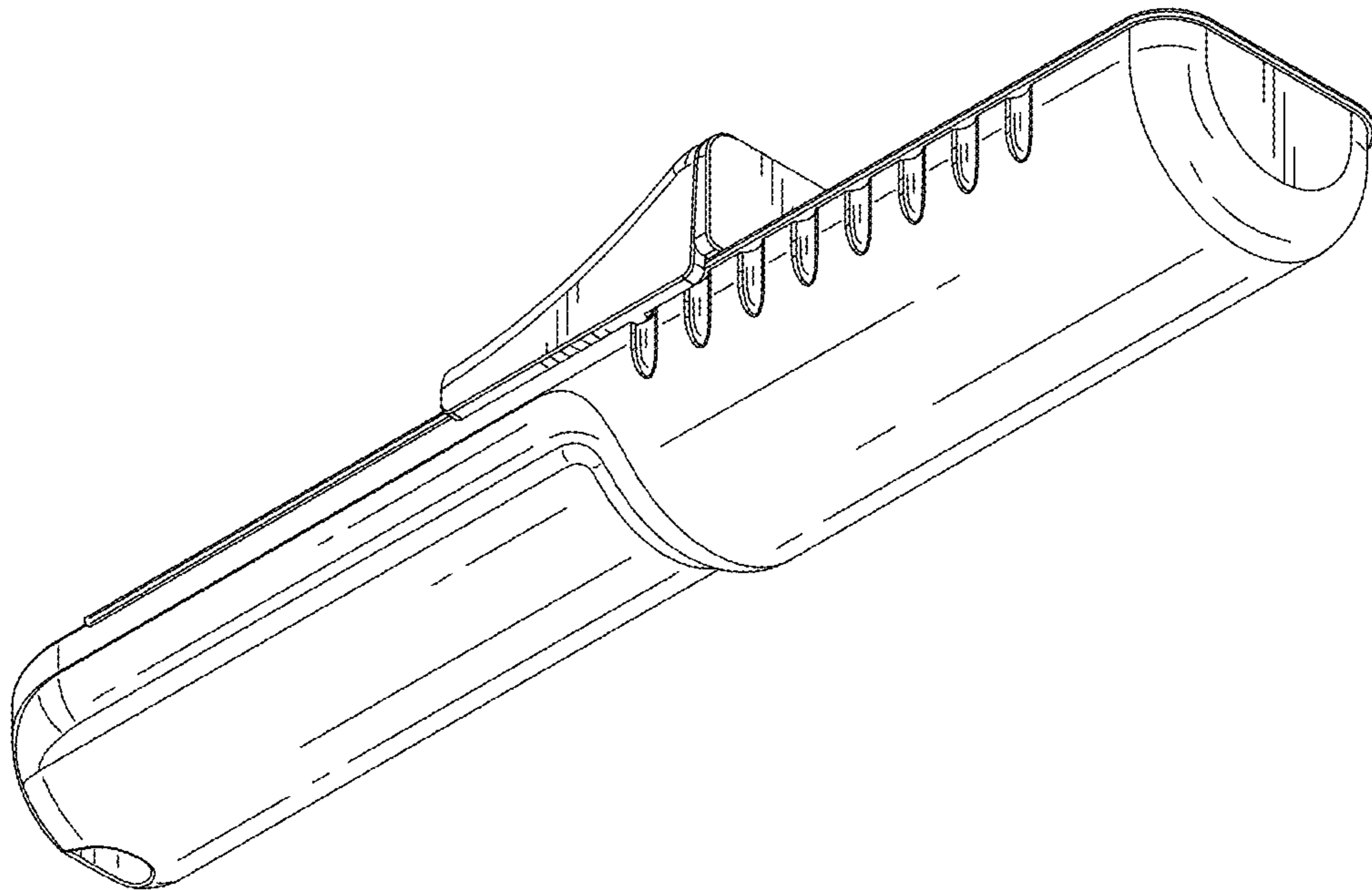


FIG. 2



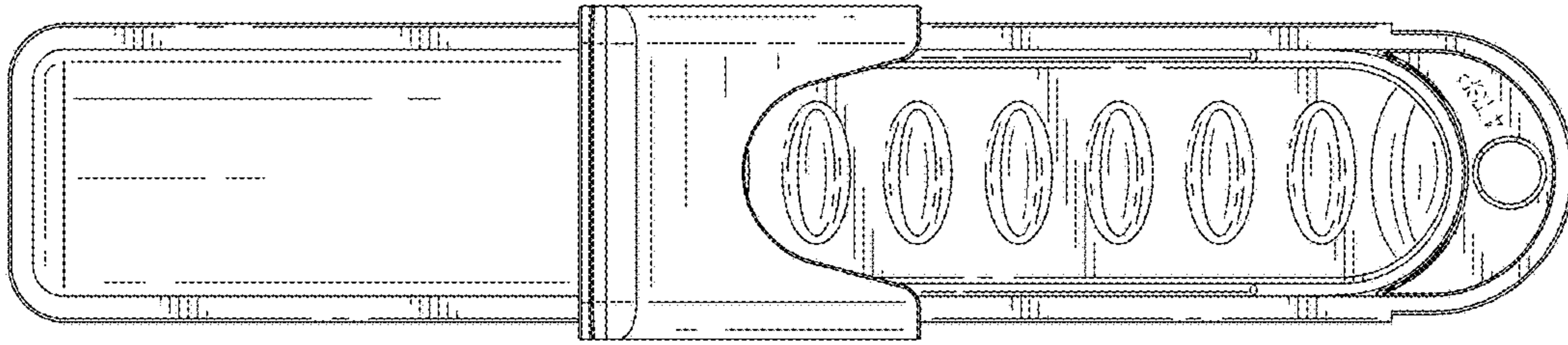


FIG. 3

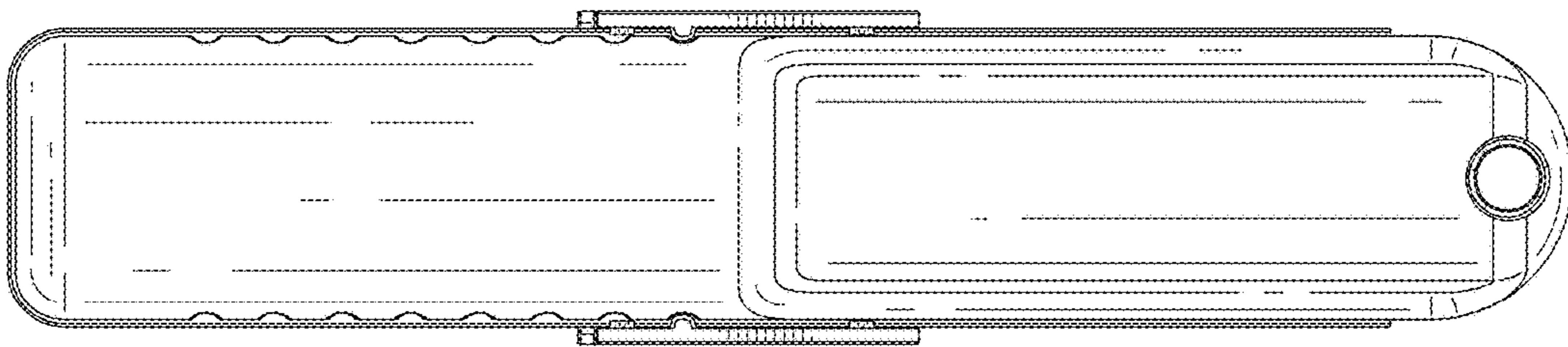


FIG. 4

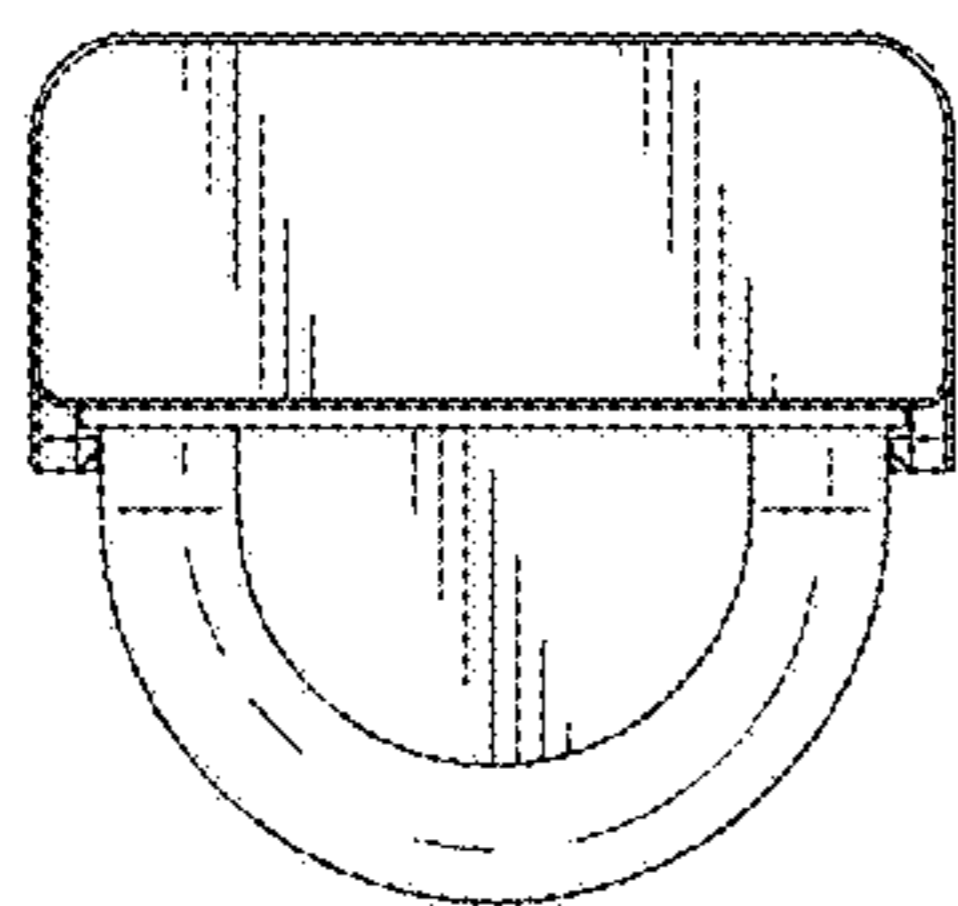


FIG. 5

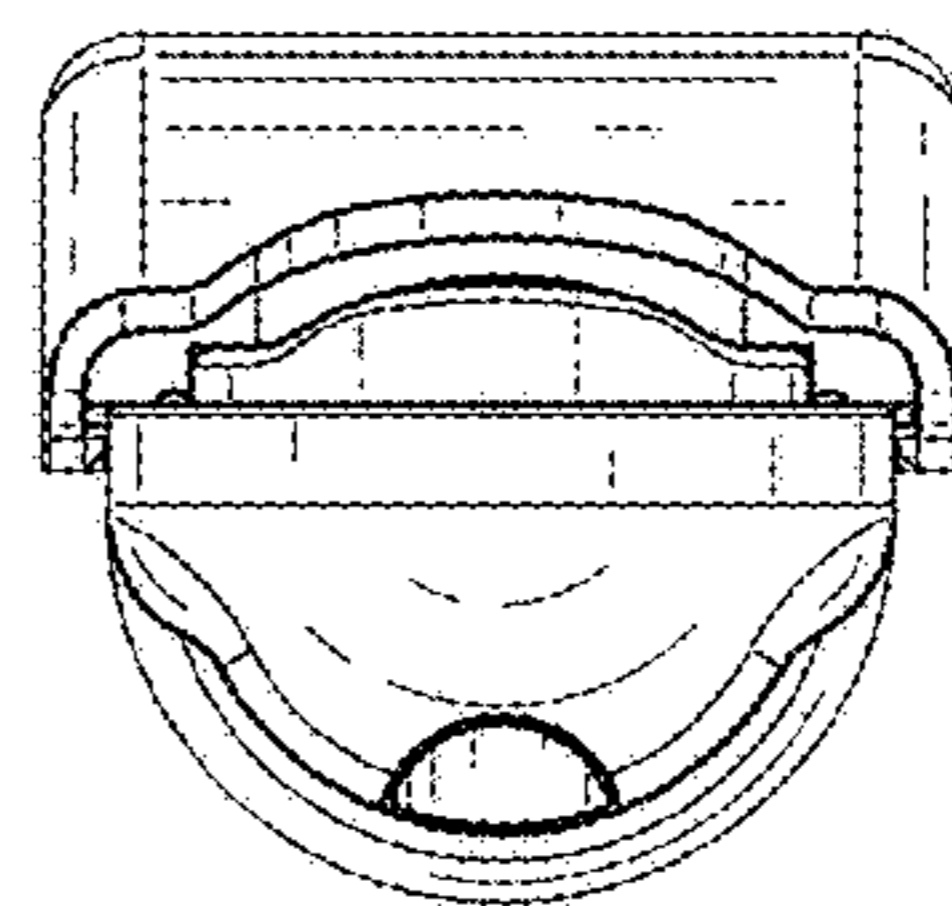


FIG. 6

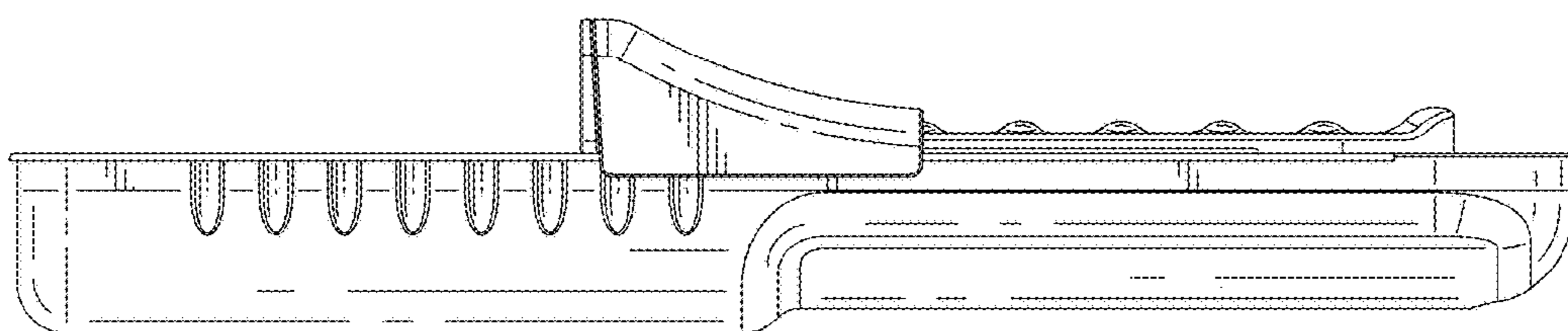


FIG. 7

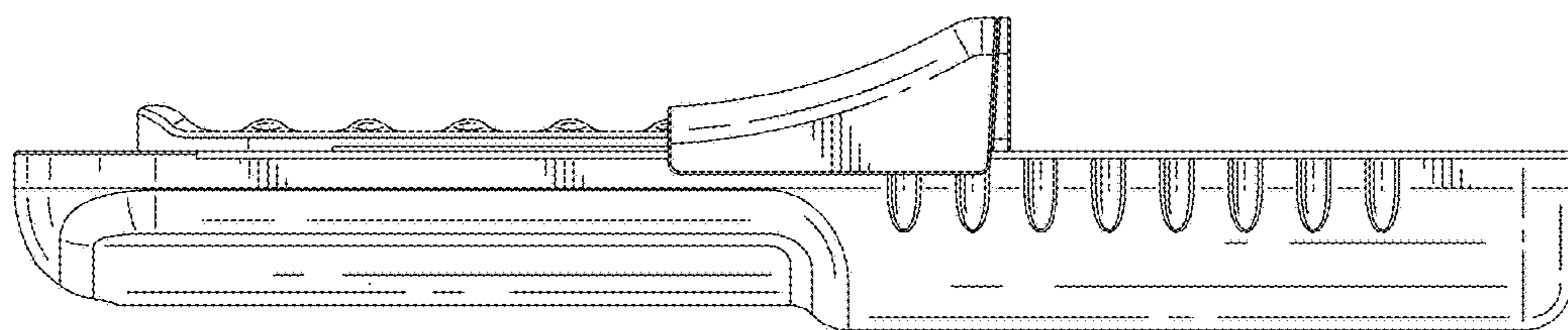


FIG. 8

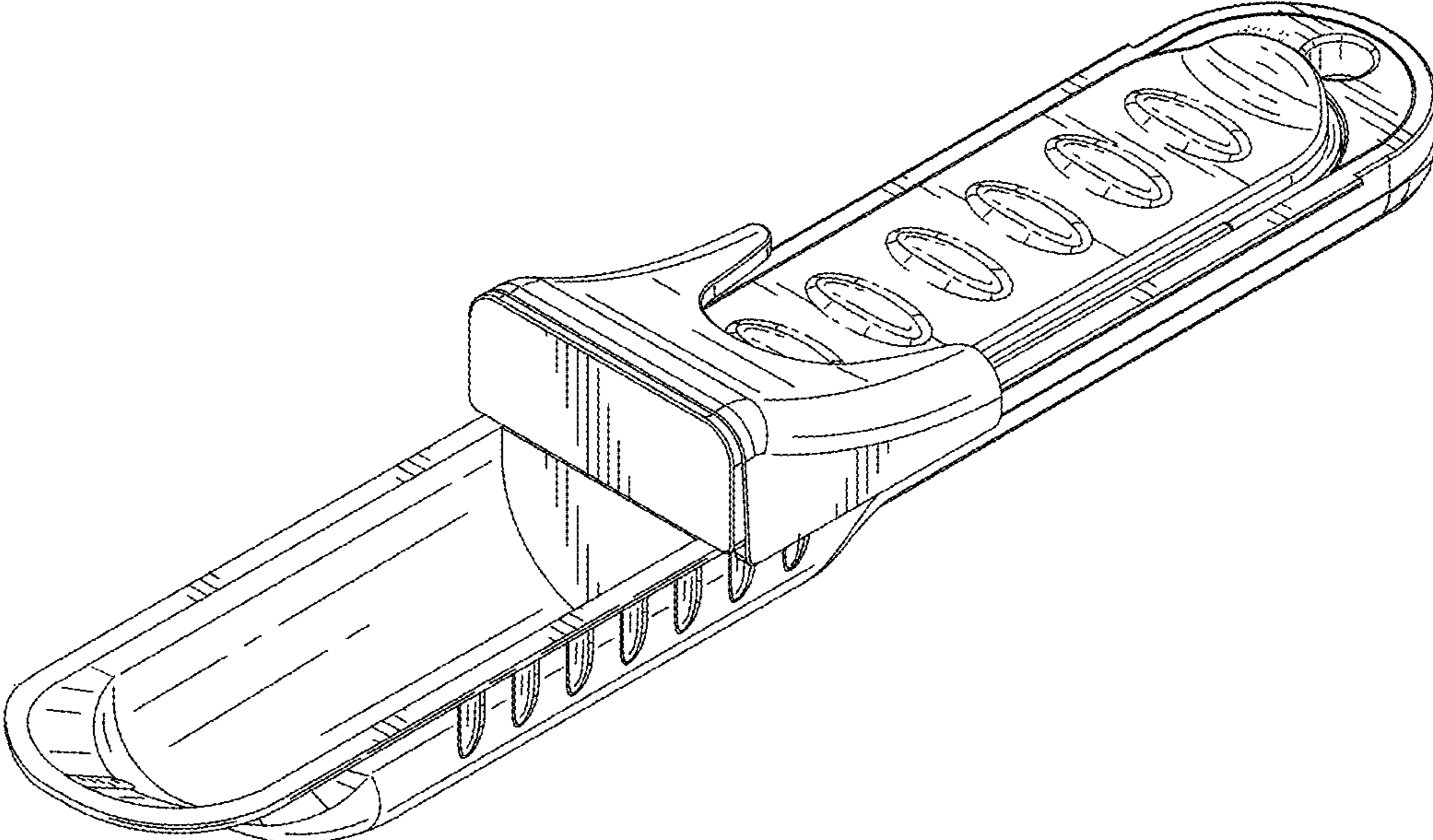


FIG. 9

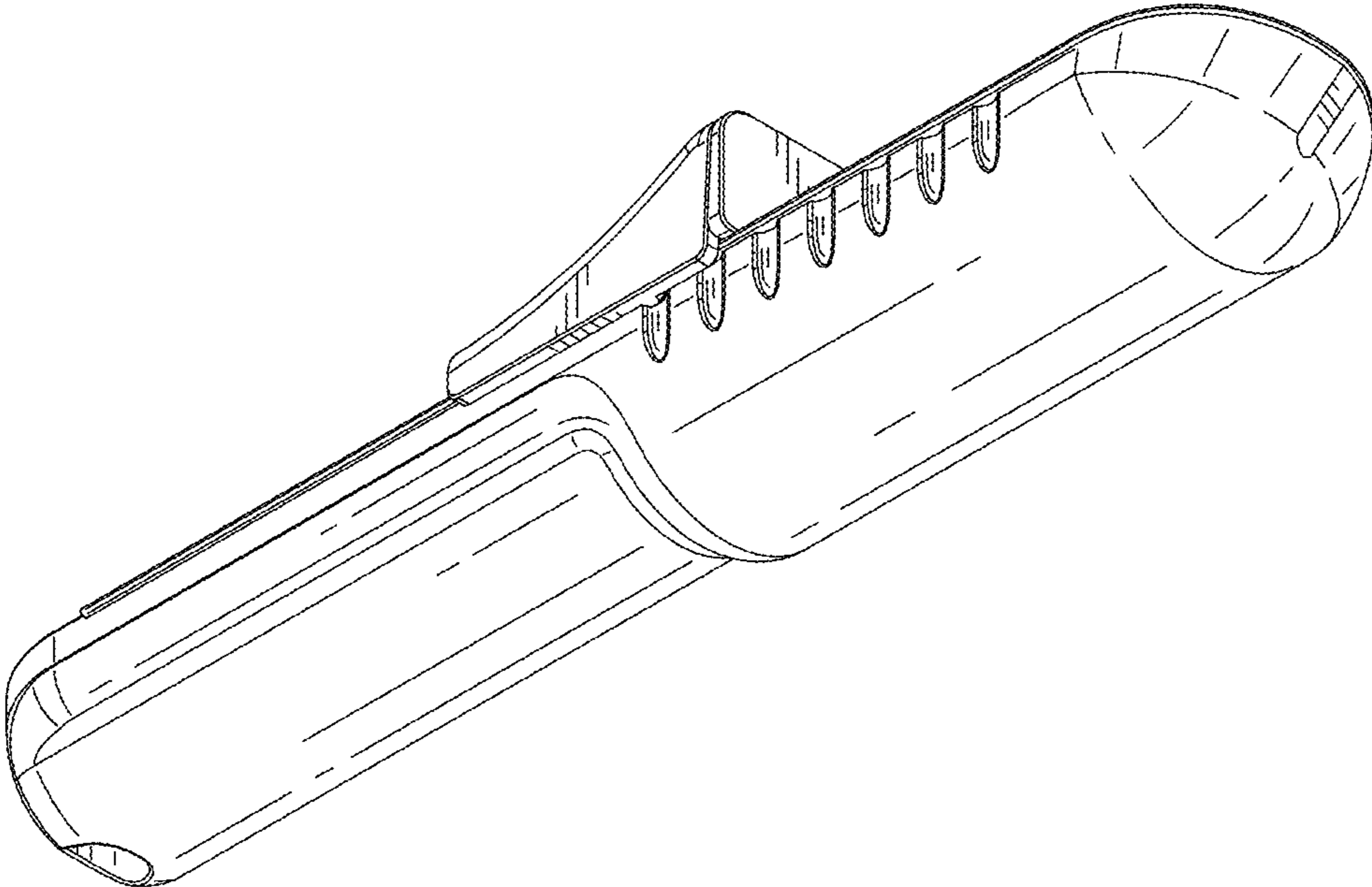


FIG. 10

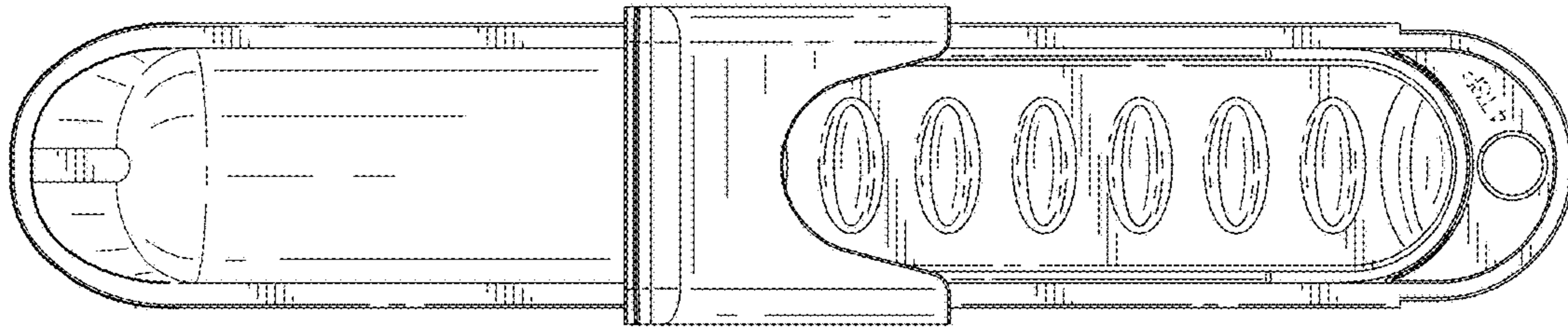


FIG. 11

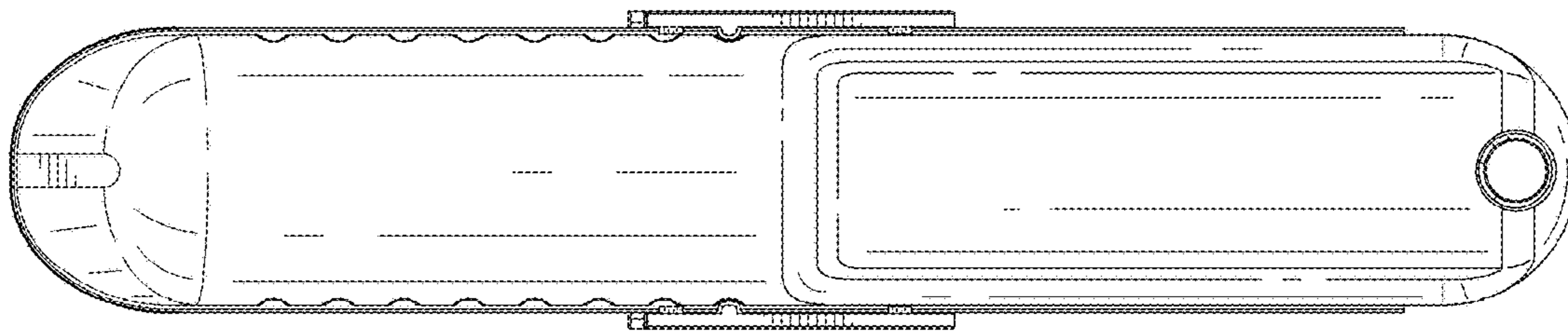


FIG. 12

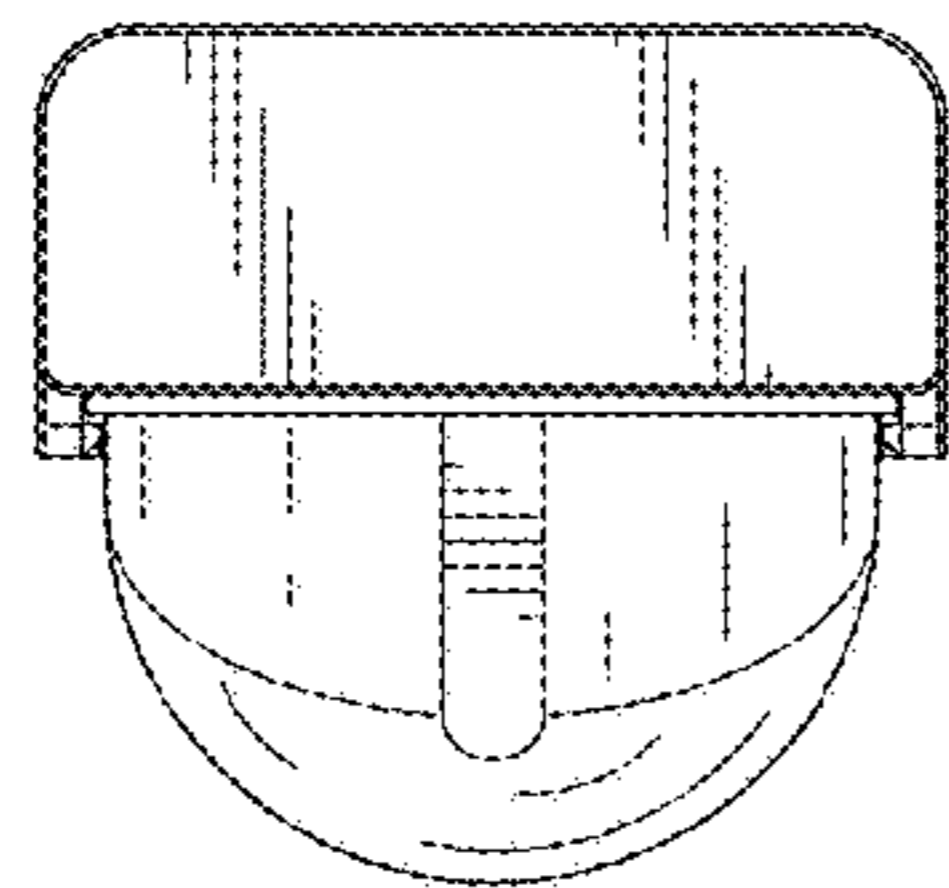


FIG. 13

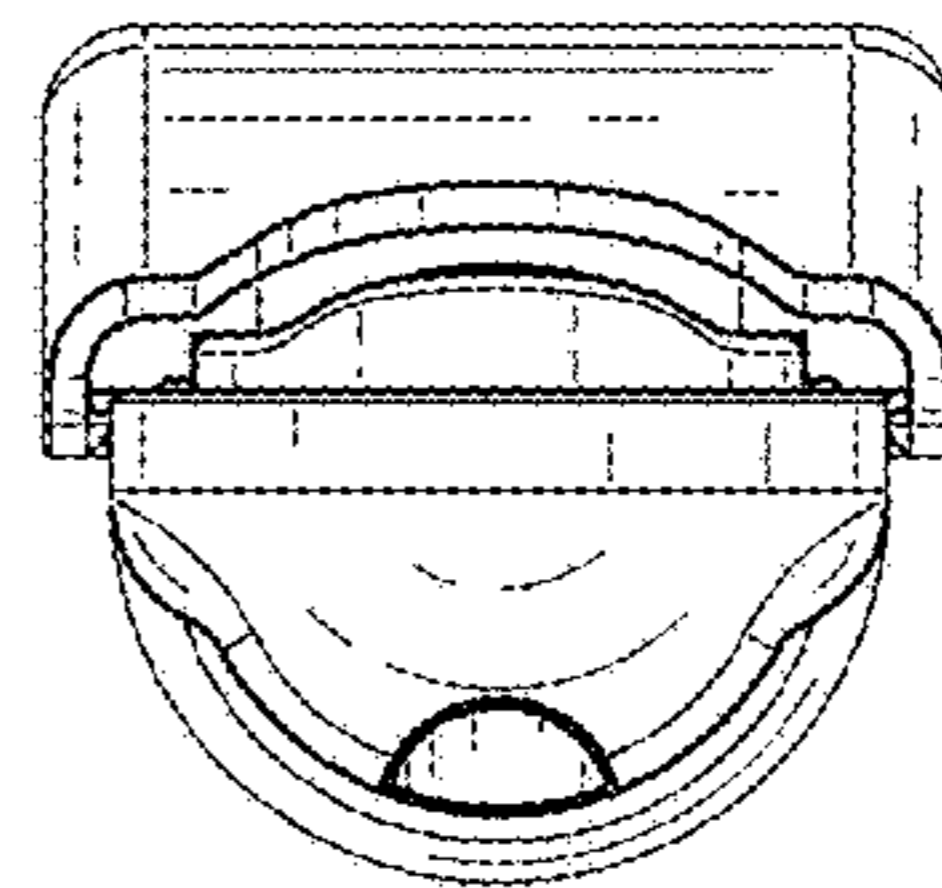


FIG. 14

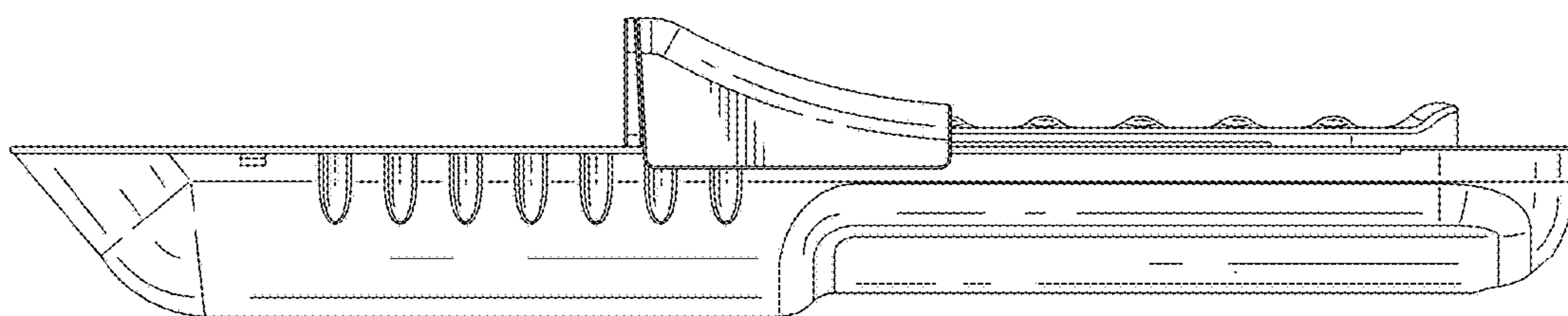


FIG. 15

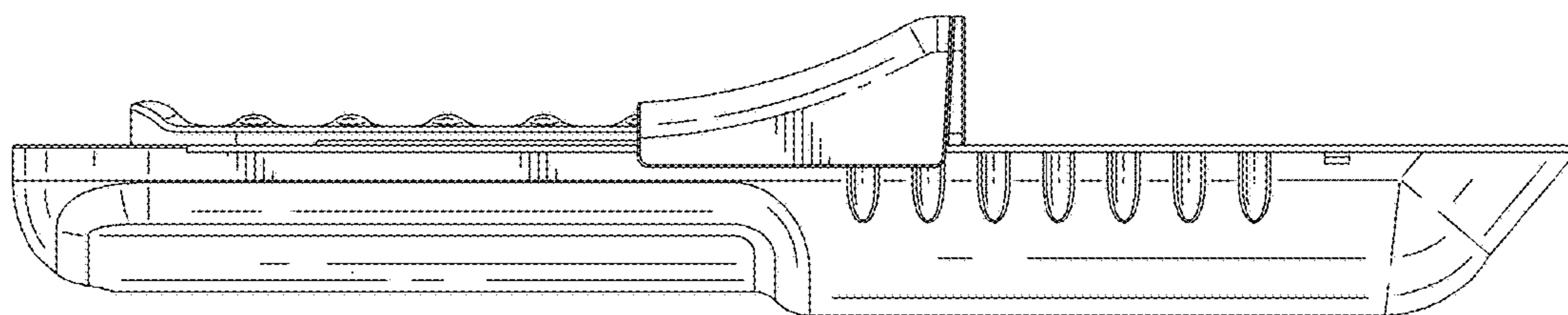


FIG. 16



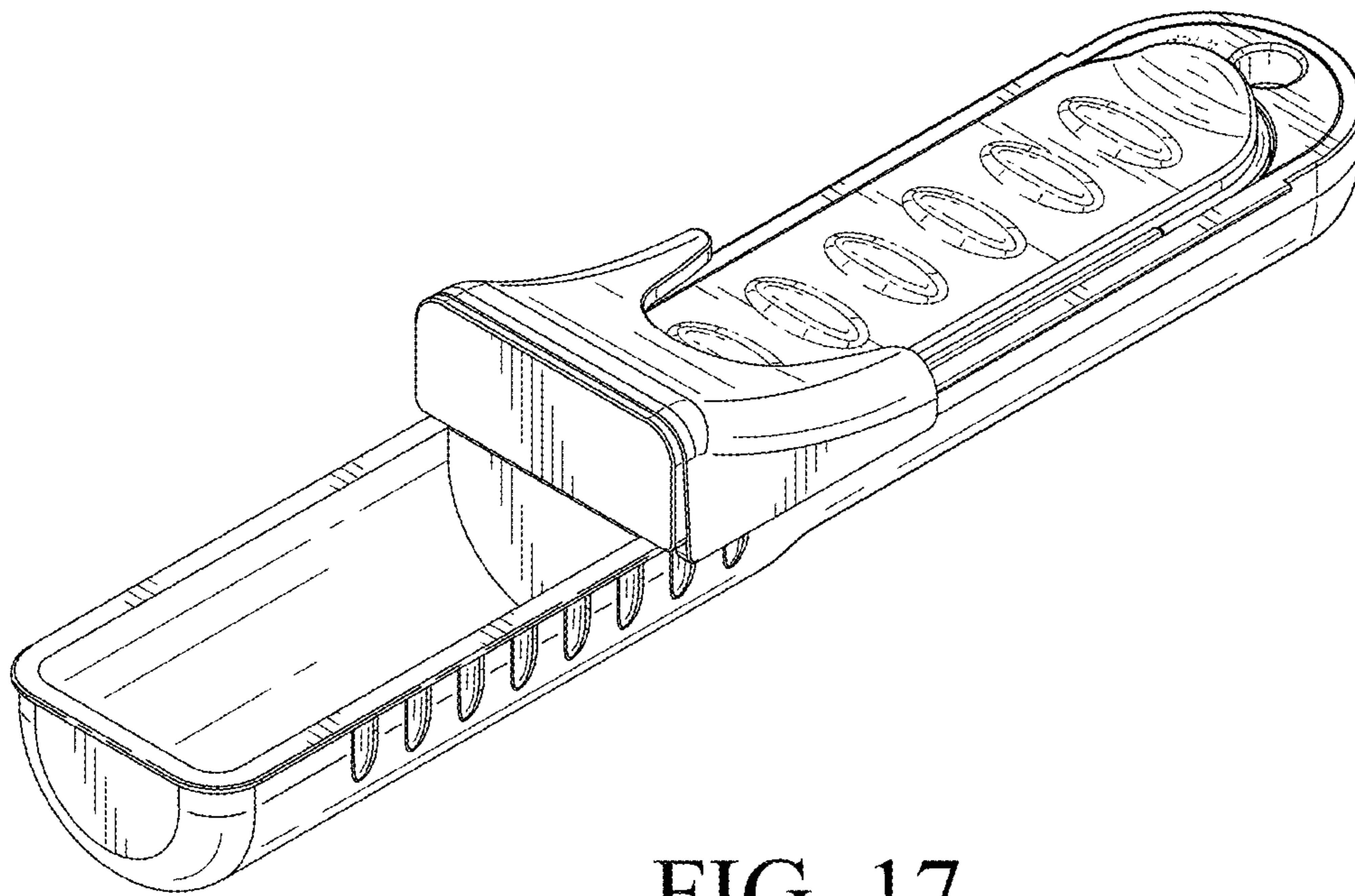


FIG. 17

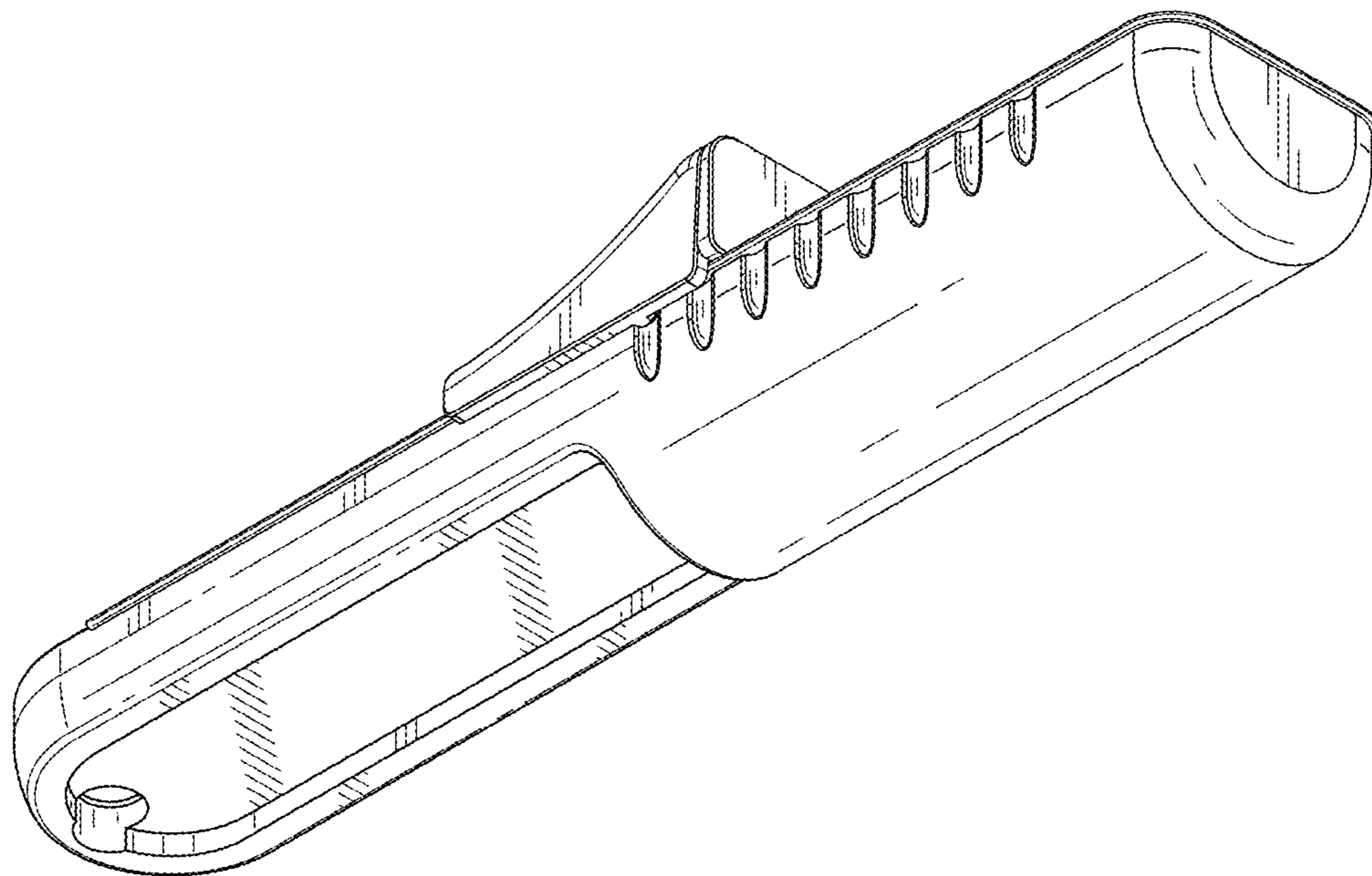


FIG. 18

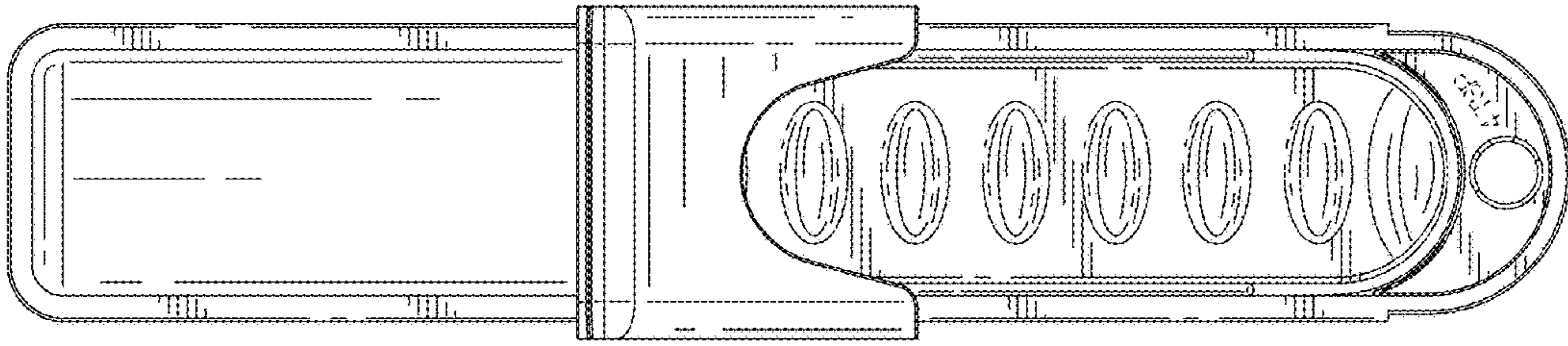


FIG. 19

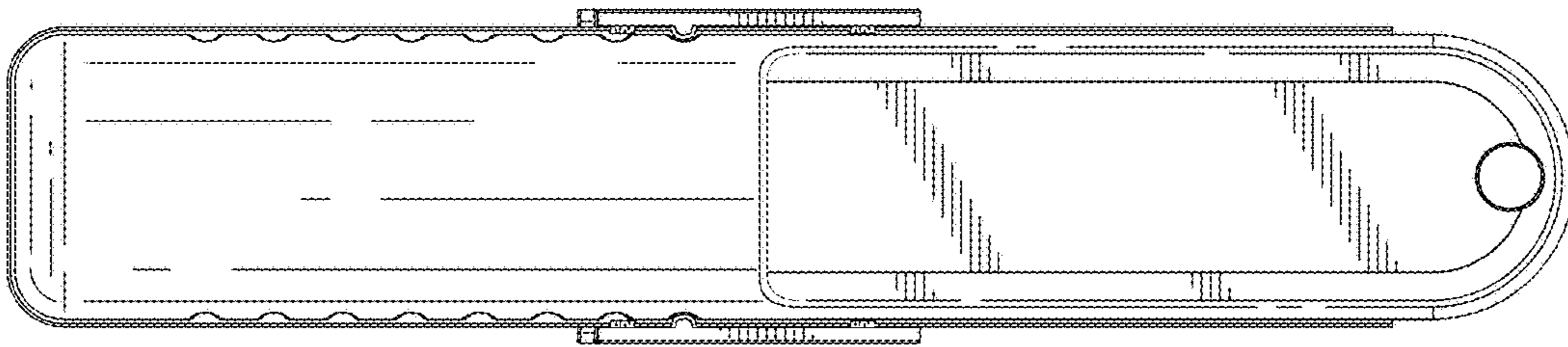


FIG. 20

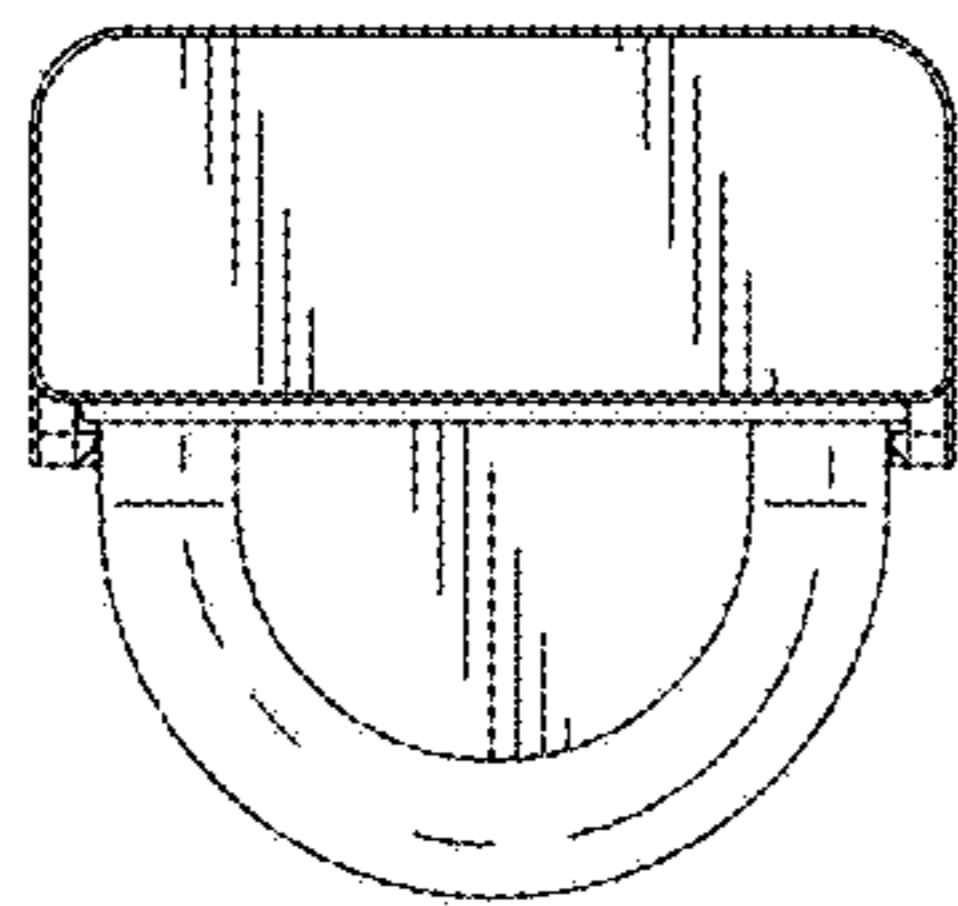


FIG. 21

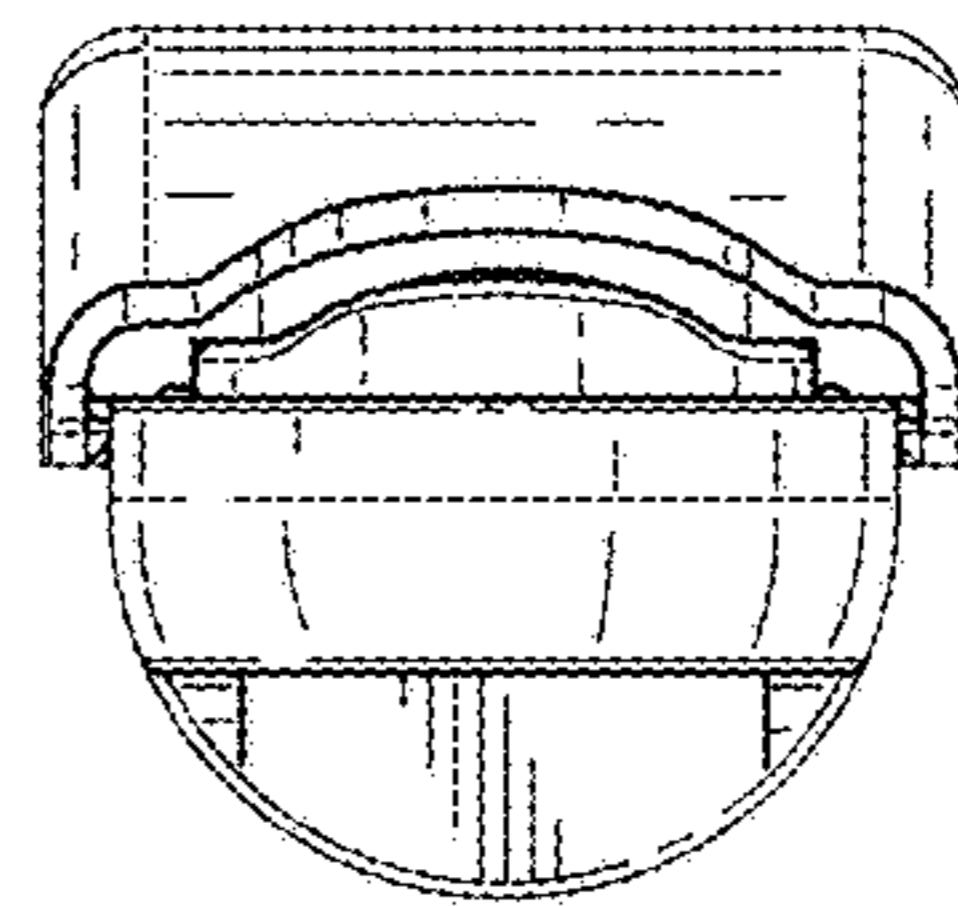


FIG. 22

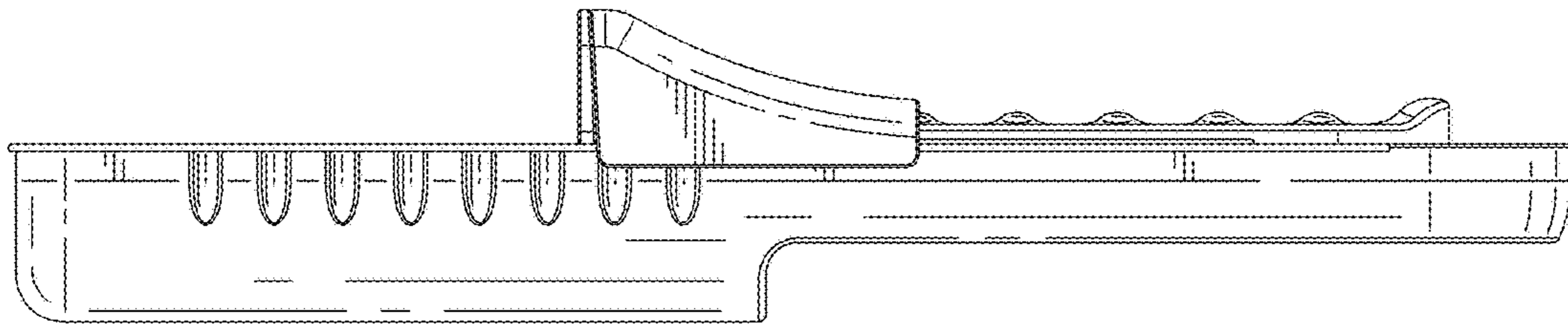


FIG. 23

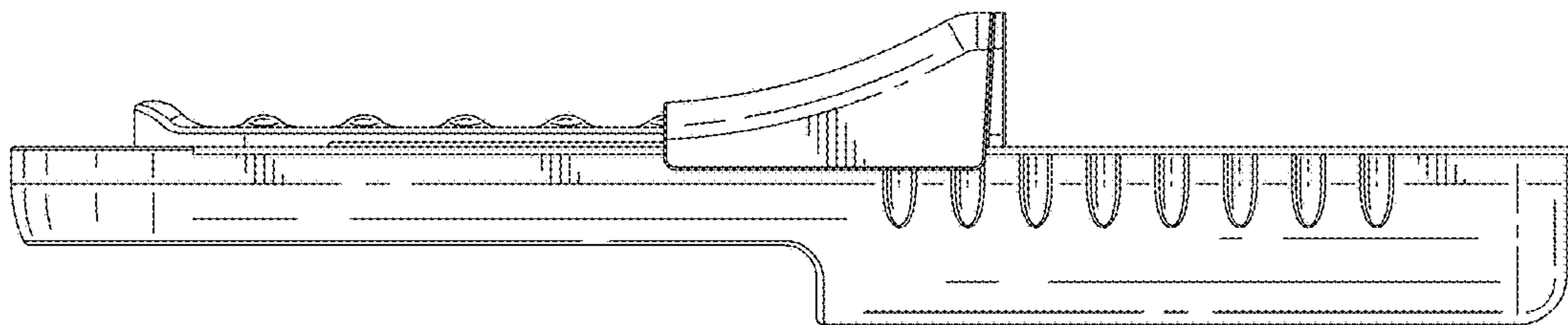


FIG. 24