



US00D830858S

(12) **United States Design Patent**
Rogers et al.

(10) **Patent No.:** **US D830,858 S**
(45) **Date of Patent:** **** Oct. 16, 2018**

- (54) **TIMER**
- (71) Applicant: **Time Timer LLC**, Cincinnati, OH (US)
- (72) Inventors: **Janice L. Rogers**, Cincinnati, OH (US);
David M. Rogers, Cincinnati, OH (US)
- (73) Assignee: **Time Timer LLC**, Cincinnati, OH (US)
- (**) Term: **15 Years**
- (21) Appl. No.: **29/591,690**
- (22) Filed: **Jan. 23, 2017**
- (51) **LOC (11) Cl.** **10-03**
- (52) **U.S. Cl.**
USPC **D10/41; D14/490**
- (58) **Field of Classification Search**
USPC D10/1, 2, 5, 14-15, 30-32, 37-41, 65,
D10/102, 104.2, 106.1-106.8, 122-124,
D10/126-128, 132; D11/3; D14/344,
D14/485, 488, 490-492; D24/167, 186
CPC G04F 1/00; G04F 5/00; G04F 7/06; G04F
7/062; G04F 7/065; G04F 3/00; G04F
3/06; G04F 3/08; G04C 23/00; G04C
23/02; G04C 23/04; G04C 23/06; G04C
23/08; G05B 19/00; G04B 45/00
See application file for complete search history.

3,969,887 A 7/1976 Fukumoto
D242,694 S * 12/1976 Thompson D10/126
4,077,032 A 2/1978 Volkman
(Continued)

OTHER PUBLICATIONS

Time Timer Watch Plus Youth Model | posted at amazon.co.uk Jul. 2010 © 1996-2018, Amazon.com, Inc [online][site visited Jun. 29, 2018]. Available from internet: <<https://www.amazon.co.uk/Time-Timer-Watch-Youth-Model/dp/B0016IZF2I>> (Year: 2010).*
(Continued)

Primary Examiner — Sandra S Snapp
Assistant Examiner — Katherine Glennon
(74) *Attorney, Agent, or Firm* — Wood, Herron & Evans, LLP

(57) **CLAIM**

The ornamental design for a timer, as shown and described.

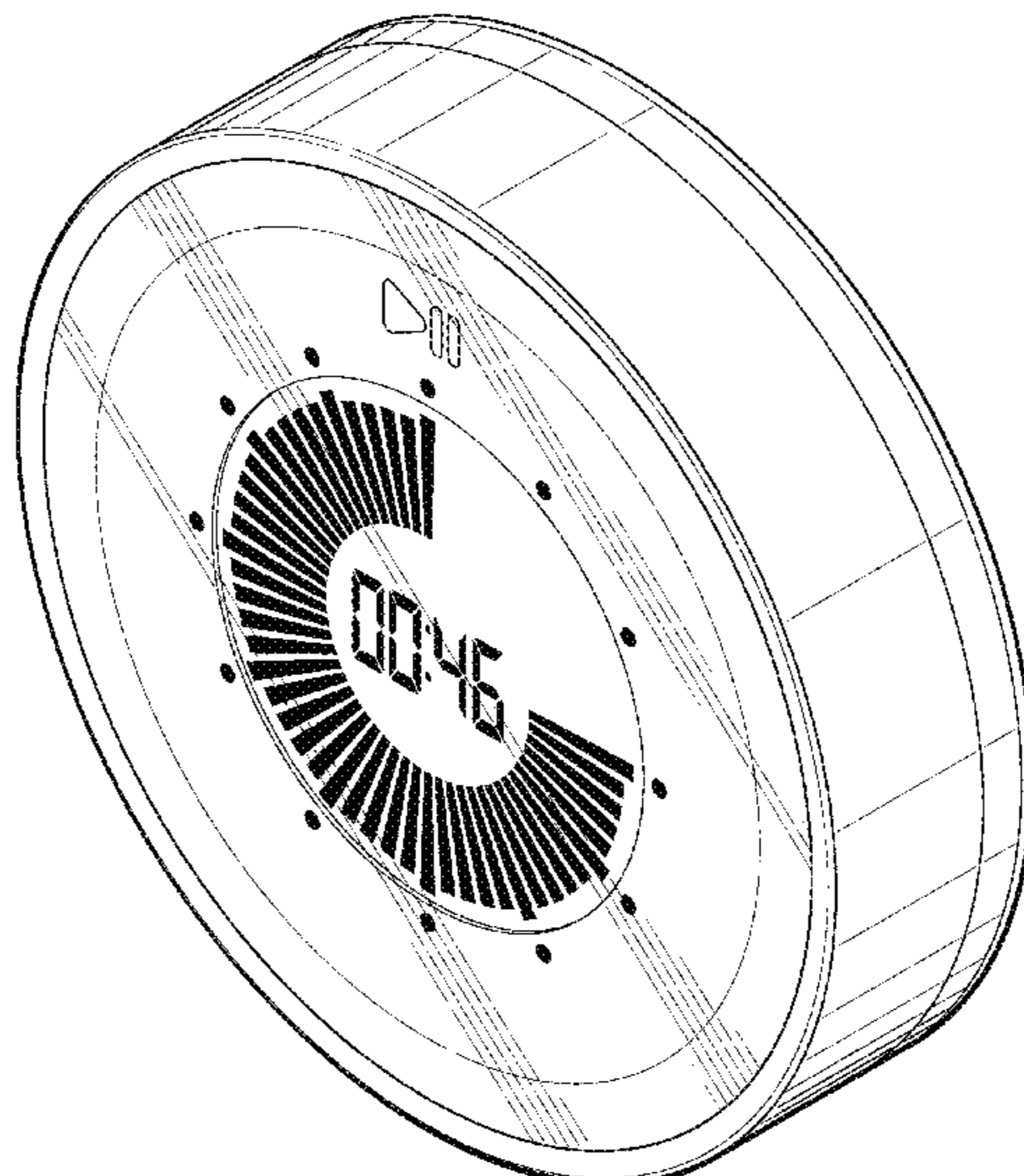
DESCRIPTION

FIG. 1 is a perspective view of one embodiment of a timer illustrating our design;
FIG. 2 is a front view thereof;
FIG. 3 is a right side view thereof, the left side being a mirror image thereof, and the top and bottom views being identical to the right and left sides.
FIG. 4 is a rear view thereof;
FIG. 5 is a perspective view another embodiment of the timer of FIG. 1 illustrating our design, the starter being indicated by broken lines;
FIG. 6 is a front view thereof;
FIG. 7 is a right side view thereof, the left side being a mirror image thereof, and the top and bottom views being identical to the right and left sides; and,
FIG. 8 is a rear view thereof.
Any elements shown in broken lines form no part of the claimed invention, and are instead included to show environmental aspects of the claimed invention.

(56) **References Cited**
U.S. PATENT DOCUMENTS

3,258,906 A	7/1966	Demby	
3,456,152 A	7/1969	Andersen	
D217,003 S	3/1970	Windebank et al.	
3,626,410 A	12/1971	deKoster	
3,746,806 A *	7/1973	Jespersen	G04C 23/02
			200/11 G
3,844,105 A *	10/1974	Kashio	G04G 9/06
			368/82

1 Claim, 6 Drawing Sheets



(56)

References Cited

U.S. PATENT DOCUMENTS

4,095,405 A * 6/1978 Tanaka G04C 3/007
368/28

4,198,810 A 4/1980 Fahrenschoen

4,204,399 A 5/1980 Heynisch

4,209,974 A 7/1980 Noble

4,211,067 A * 7/1980 Oda G04G 5/022
368/185

4,242,747 A 12/1980 Fahrenschoen

4,250,572 A 2/1981 Yoshida

4,255,806 A 3/1981 Fahrenschoen et al.

4,264,970 A 4/1981 Nishimura et al.

4,277,840 A 7/1981 Sekiya et al.

4,312,055 A 1/1982 Noble

4,320,484 A * 3/1982 Burdet G04G 9/0094
345/34

D263,811 S * 4/1982 Hochstrate D10/123

4,355,380 A * 10/1982 Huguenin G04C 3/14
368/71

4,364,672 A 12/1982 Shibuya et al.

4,382,696 A 5/1983 Kumar

4,385,842 A 5/1983 Wiesner

4,435,046 A 3/1984 Nishimura

4,459,034 A 7/1984 Kawabata et al.

D278,986 S 5/1985 Houlihan et al.

4,540,242 A * 9/1985 Shibuya B60Q 1/54
349/142

D291,871 S * 9/1987 Harvey D10/122

D293,425 S 12/1987 Ichikawa

4,742,501 A * 5/1988 Coster G04G 9/0082
368/107

4,783,773 A 11/1988 Houlihan et al.

D299,316 S * 1/1989 Vickery D10/126

4,893,291 A 1/1990 Bick et al.

D322,415 S * 12/1991 Ritchie D10/126

D327,859 S 7/1992 Robert

5,130,827 A * 7/1992 Pavone G01D 7/00
349/110

D363,251 S 10/1995 Gardner

D369,619 S 5/1996 Rogers

5,662,479 A 9/1997 Rogers

5,995,456 A 11/1999 Brewer et al.

6,198,698 B1 * 3/2001 Graves G04B 19/00
368/223

D441,665 S 5/2001 Giardiello

6,388,952 B2 * 5/2002 Kim G04G 9/0082
340/309.4

D506,693 S * 6/2005 Kaczmarek D10/104.1

D532,017 S 11/2006 Gusmorino et al.

D545,713 S * 7/2007 Waldman D10/125

D566,722 S * 4/2008 Jackson D14/489

D569,743 S * 5/2008 Lidong D10/40

D581,292 S 11/2008 Ellia

D586,682 S 2/2009 Waldman

7,505,374 B2 * 3/2009 Booty, Jr. G04G 9/02
368/223

D590,735 S * 4/2009 Rogers D10/126

D611,841 S 3/2010 Hatem

D621,415 S 8/2010 Umezawa

7,773,464 B2 8/2010 Rogers

7,830,752 B2 11/2010 Rogers

D665,163 S * 8/2012 Leifeld D3/203.2

D667,318 S 9/2012 Jamin

D677,272 S * 3/2013 Phelan D14/491

D686,093 S * 7/2013 Wright D10/40

D686,246 S * 7/2013 Gardner D14/491

D687,057 S * 7/2013 Plitkins D14/488

D690,720 S 10/2013 Waldman

D705,089 S * 5/2014 Rogers D10/24

D706,152 S * 6/2014 Ni D10/106.6

D720,638 S * 1/2015 Rogers D10/125

D733,184 S * 6/2015 Park D14/490

D744,365 S * 12/2015 Rogers D10/125

D763,210 S * 8/2016 Park D14/125

D770,310 S * 11/2016 Rogers D10/40

D798,807 S * 10/2017 Shi D13/108

D800,159 S * 10/2017 Park D14/489

D817,799 S * 5/2018 Ariel D10/126

2008/0123473 A1 * 5/2008 Ozawa G02F 1/167
368/18

2008/0253234 A1 * 10/2008 Rogers G04F 1/005
368/107

2014/0098648 A1 * 4/2014 Breckman G04B 45/00
368/228

OTHER PUBLICATIONS

Time Timer Watch Plus Support | posted at youtube.com Apr. 2007
[online][site visited Jun. 29, 2018]. Available from internet: <<https://www.youtube.com/watch?v=GphxYna0Mm8>> (Year: 2007).*

Deercy Digital Kitchen Timer | posted at amazon.com Jan. 14, 2016
© 1996-2018, Amazon.com, Inc [online][site visited Jul. 2, 2018].
Available from internet: <<https://www.amazon.com/DEERCY-Digital-Kitchen-Display-Simplest/dp/B06WGYZW8R>> (Year: 2016).*

Tribedesigns Digital Kitchen Timer | posted at youtube.com Jul.
2015 [online][site visited Jul. 2, 2018]. Available from internet:
<https://www.youtube.com/watch?v=0_njOX8B2qY> (Year: 2015).*

Time by Design Timepiece-Charles Coster | posted at auction.
catawiki.com; bid date May 2016; vintage 1994 © 2018 Catawiki
[online][site visited Jul. 2, 2018]. Available from internet: <<https://auction.catawiki.com/kavels/5673601-time-by-design-timepiece-by-charles-s-coster-creative-digital-men-s-wristwat>> (Year: 1994).*

Time by Design Digital Watch | posted at sharene16.blogspot.com
Apr. 2011 [online][site visited Jul. 2, 2018]. Available from internet:
<<http://sharene16.blogspot.com/2011/04/design-watch.html>> (Year:
2011).*

Taylor Rotating Timer Kitchen | posted at amazon.com Mar. 2015
© 1996-2018, Amazon.com, Inc [online][site visited Jul. 2, 2018]
Available from internet: <https://www.amazon.com/Taylor-Precision-Products-Mechanical-Rotating/dp/B00UKIOKRG/ref=sr_1_8?s=kitchen&srs=9503531011&ie=UTF8&qid=1530552102&sr=1-8>
(Year: 2015).*

* cited by examiner

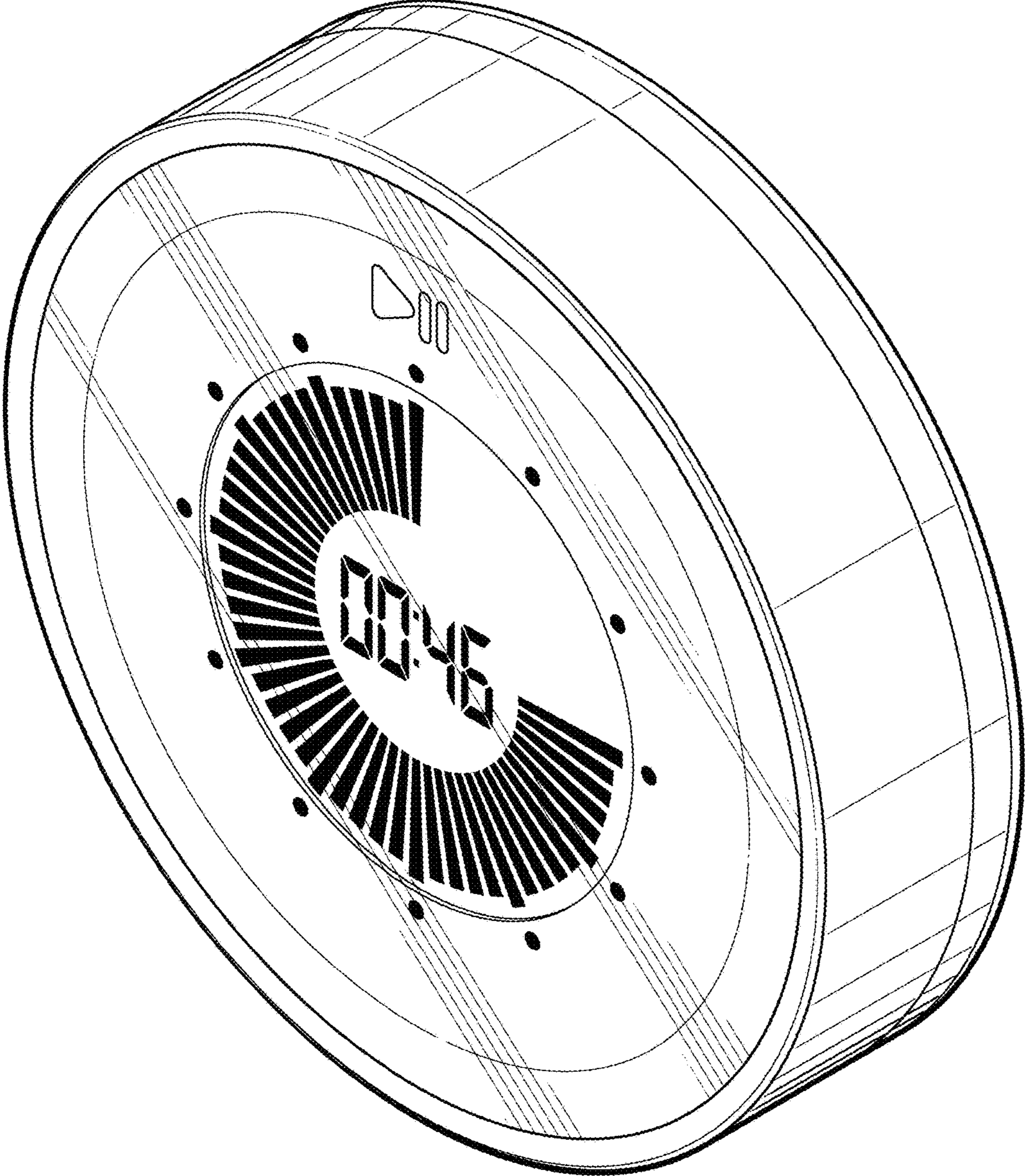


FIG. 1

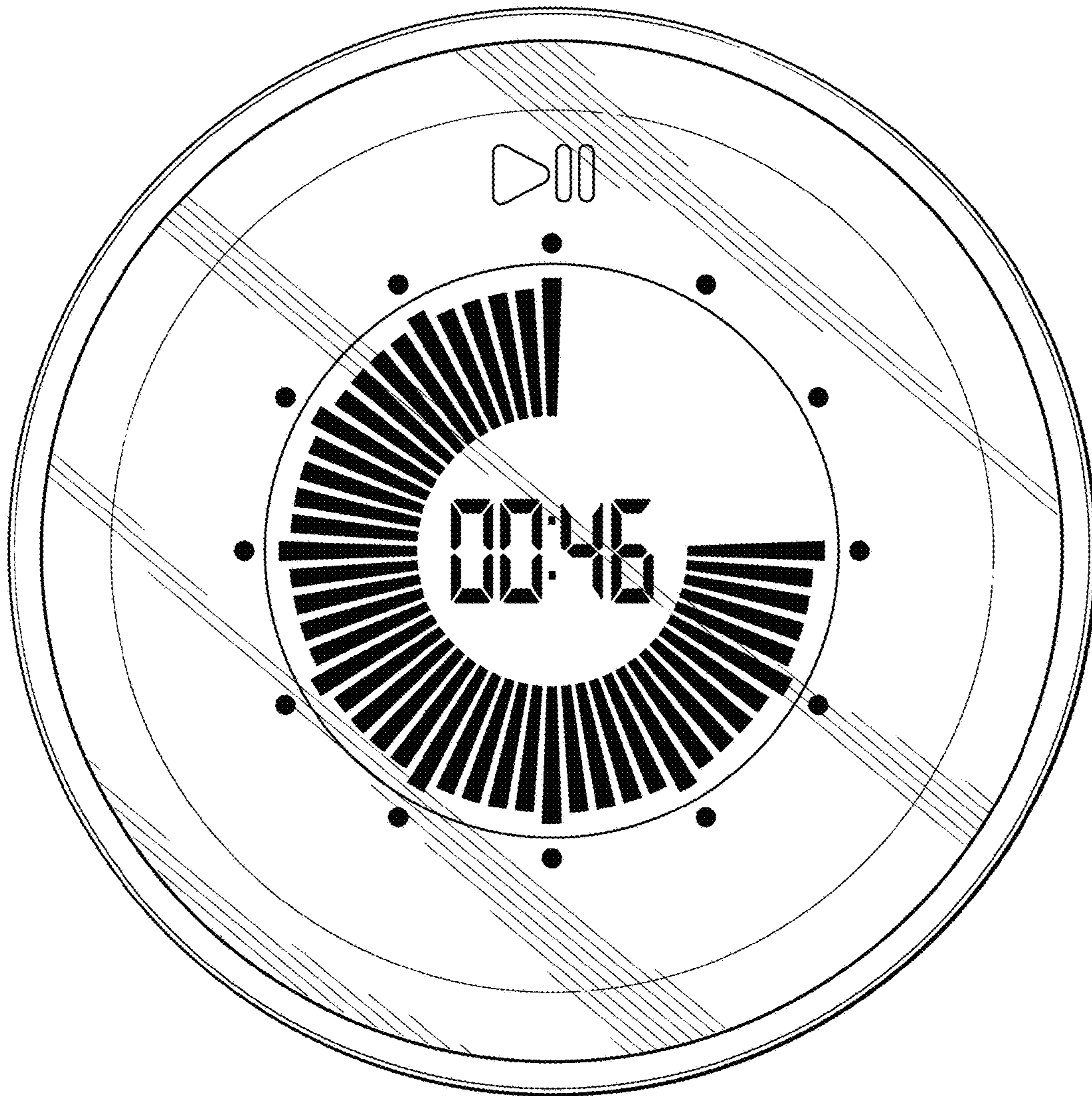


FIG. 2

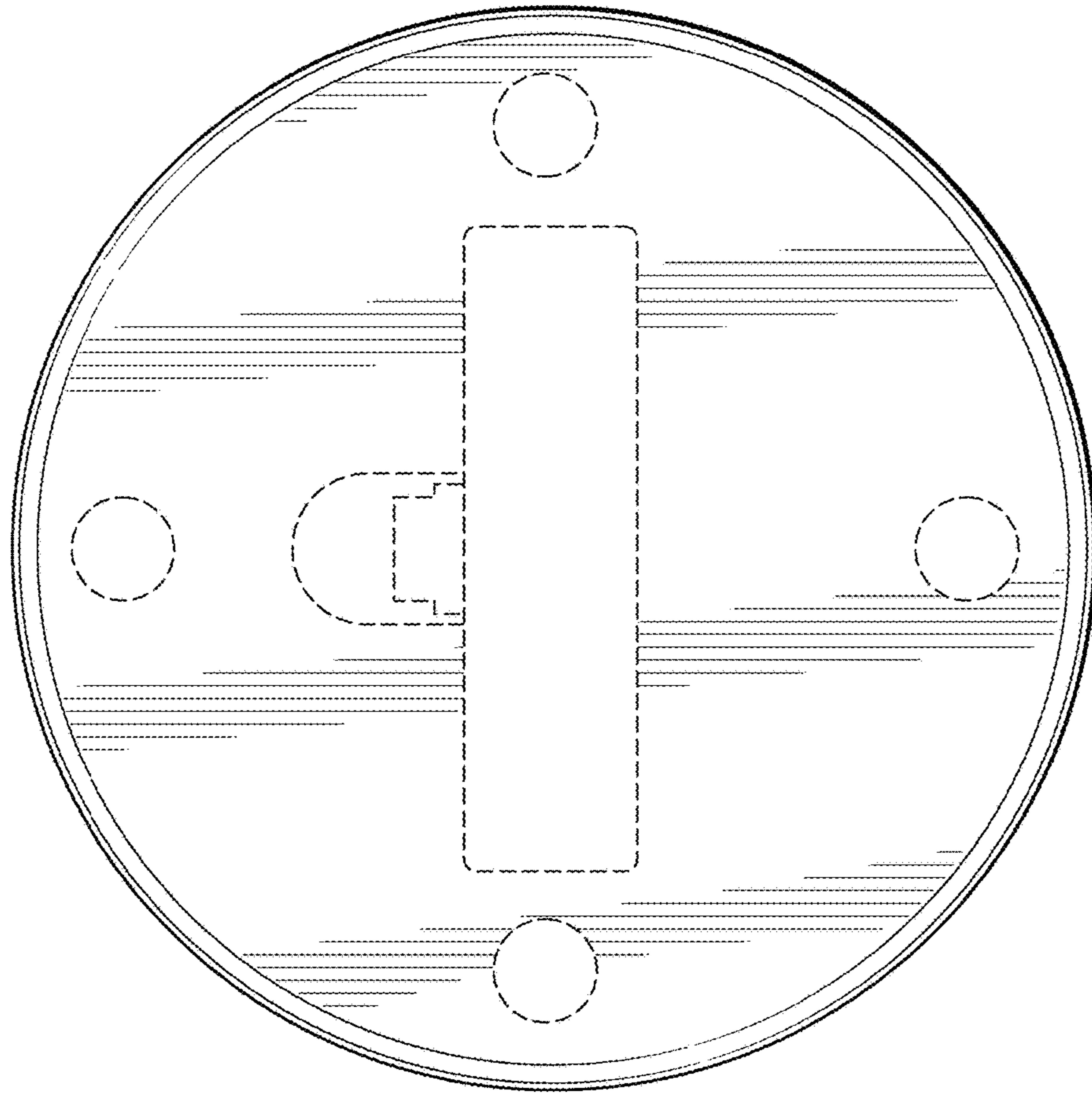


FIG. 4

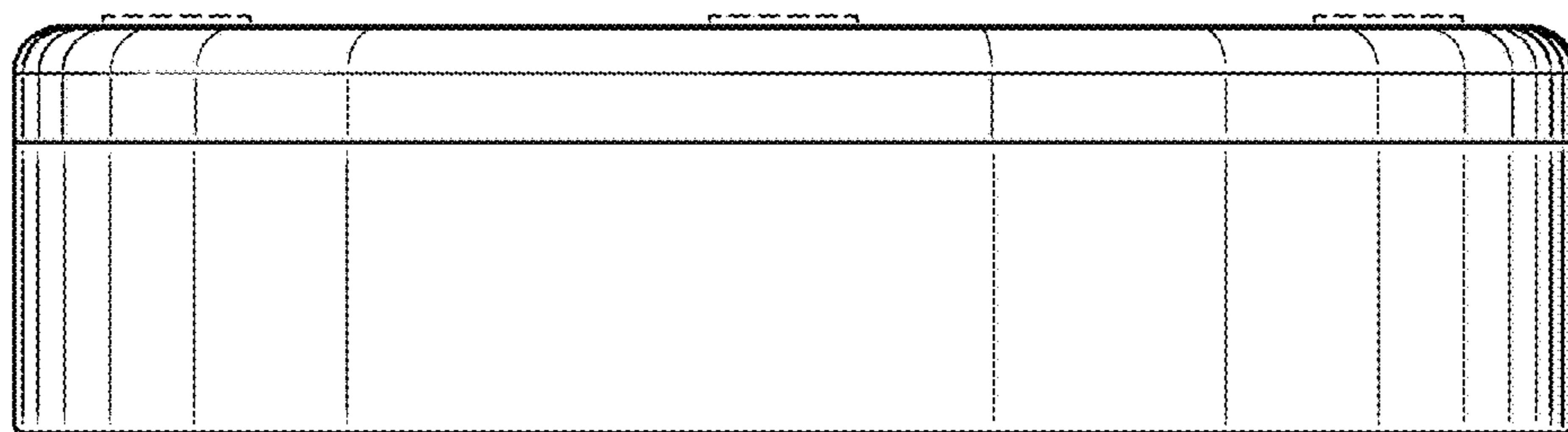


FIG. 3

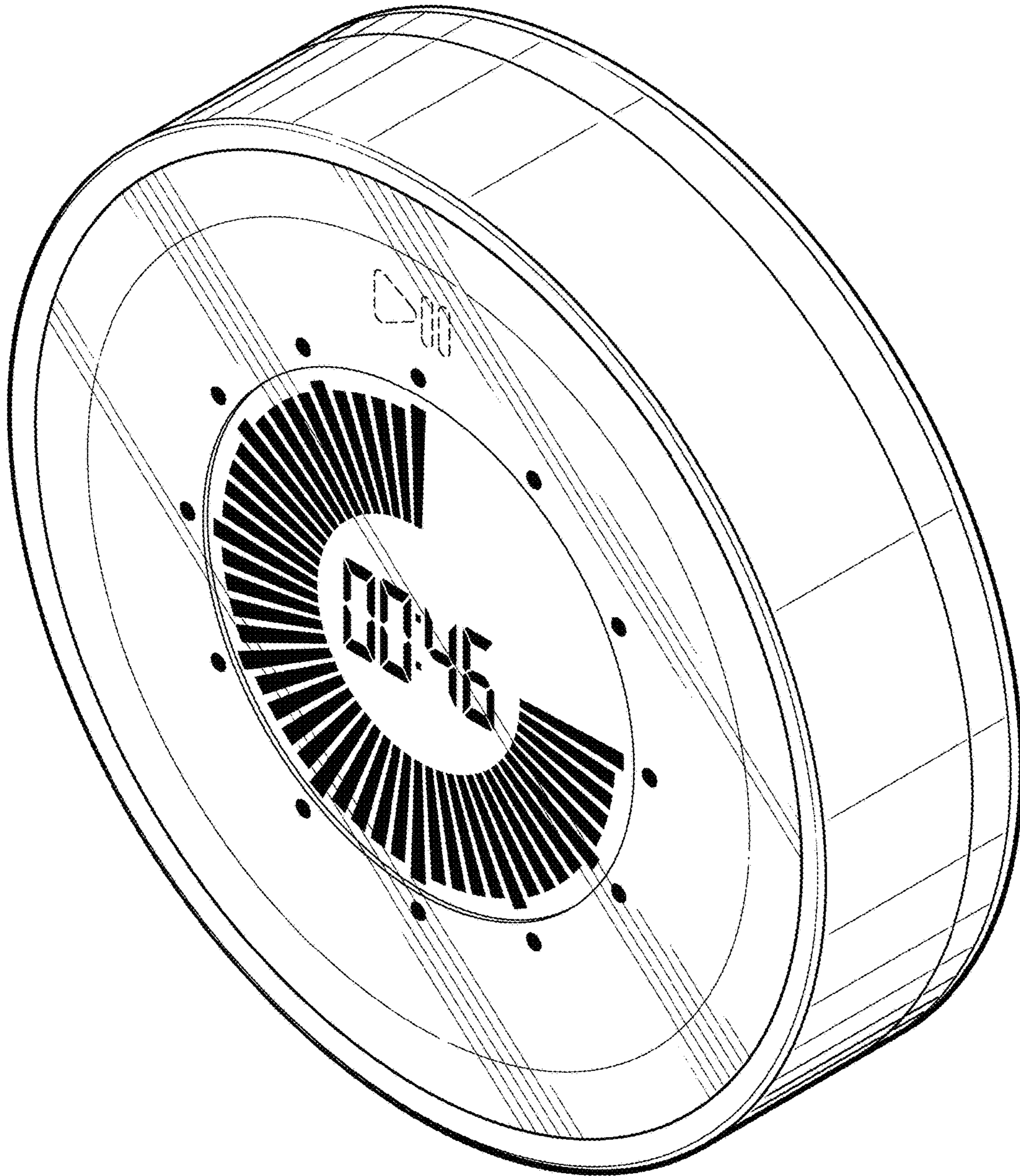


FIG. 5

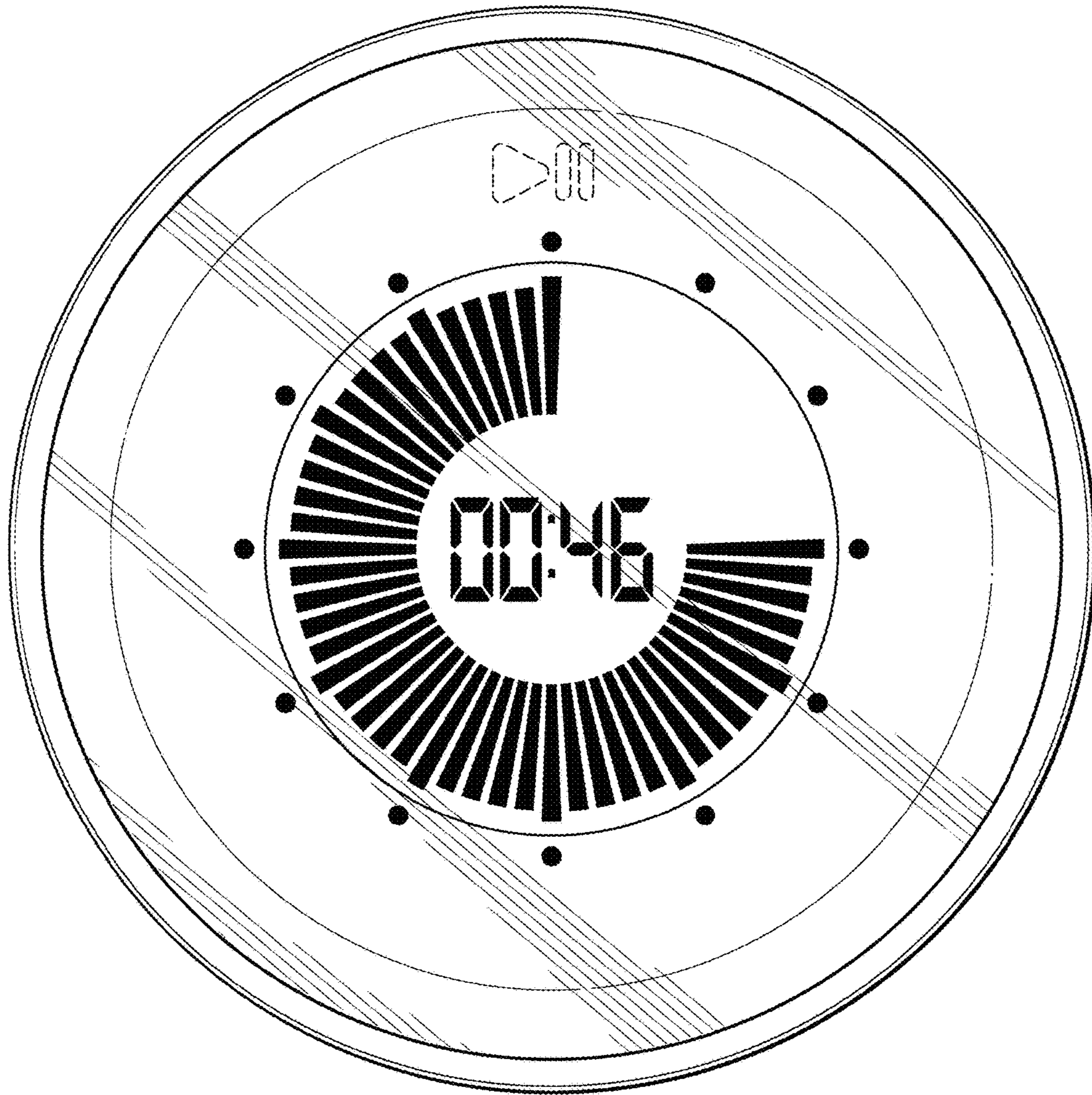


FIG. 6

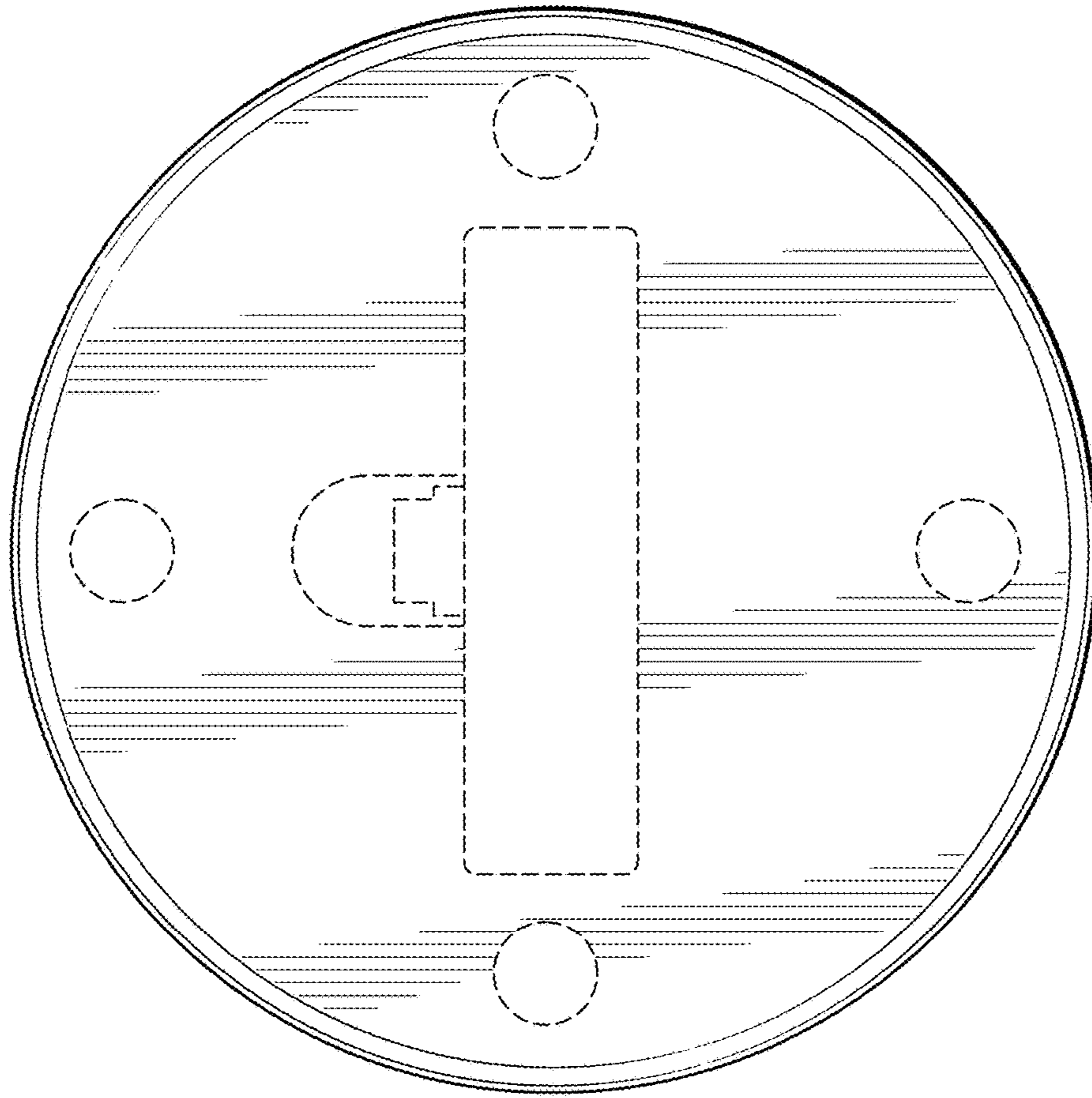


FIG. 8

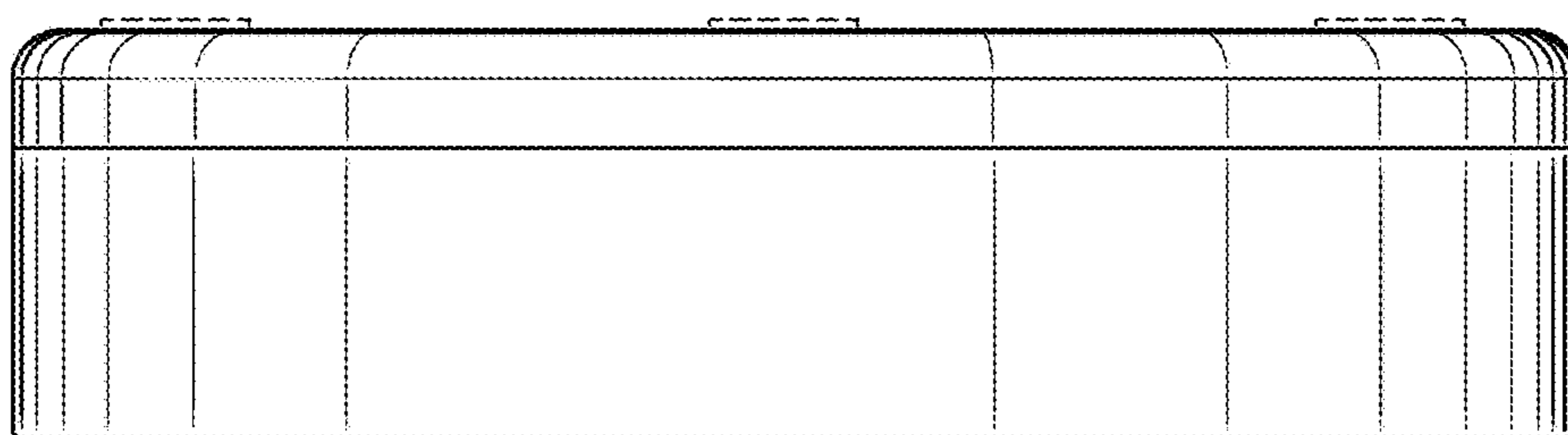


FIG. 7