



US00D830853S

(12) **United States Design Patent** (10) **Patent No.:** **US D830,853 S**
Mitten et al. (45) **Date of Patent:** **** Oct. 16, 2018**

(54) **PACKAGE FOR E-KIT WITH POUCH**

5/48028; B65D 65/10; B65D 71/246;
B65D 77/046; B65D 77/22; Y10S 435/81

(71) Applicant: **Altria Client Services LLC**,
Richmond, VA (US)

See application file for complete search history.

(72) Inventors: **Robert T. Mitten**, Richmond, VA (US);
Scott A. Fath, Richmond, VA (US);
William J. Bogdziewicz, III,
Richmond, VA (US); **Ryan Alan**
Bailey, Richmond, VA (US)

(56) **References Cited**

U.S. PATENT DOCUMENTS

4,180,165 A * 12/1979 Kuchenbecker B65D 5/5019
206/461

D324,651 S * 3/1992 Kaneko D9/418

(Continued)

(73) Assignee: **ALTRIA CLIENT SERVICES LLC**,
Richmond, VA (US)

FOREIGN PATENT DOCUMENTS

JP 2007331832 12/2007

JP 2009255948 A 11/2009

(Continued)

(**) Term: **15 Years**

OTHER PUBLICATIONS

(21) Appl. No.: **29/572,709**

Invitation to Pay Additional Fees and Partial International Search
dated Oct. 30, 2017 in related Application No. PCT/EP2017/
069245.

(22) Filed: **Jul. 29, 2016**

(Continued)

(51) **LOC (11) Cl.** **09-03**

Primary Examiner — Lauren R Calve

(52) **U.S. Cl.**

(74) *Attorney, Agent, or Firm* — Harness, Dickey &

USPC **D9/721**

Pierce, PLC

(58) **Field of Classification Search**

(57) **CLAIM**

USPC D9/414, 415, 424, 425, 433, 715, 719,
D9/722, 721, 737

The ornamental design for a package for e-kit with pouch,
as shown and described.

CPC .. B65D 75/36; B65D 2201/00; B65D 5/4208;
B65D 75/32; B65D 81/2076; B65D

DESCRIPTION

2543/00296; B65D 75/22; B65D

FIG. 1 is a front view of a fully assembled package for e-kit

2575/367; B65D 5/52; B65D 2543/00194;

with pouch showing our new design;

B65D 43/162; B65D 75/367; B65D

FIG. 2 is a rear view thereof;

85/00; B65D 2571/0066; B65D 73/0028;

FIG. 3 is a right-side view thereof;

B65D 73/0042; B65D 5/5038; B65D

FIG. 4 is a left-side view thereof;

1/36; B65D 71/10; B65D 5/503; B65D

FIG. 5 is a top view thereof;

21/0233; B65D 2519/00034; B65D

FIG. 6 is a bottom view thereof; and,

2519/00069; B65D 2519/00288; B65D

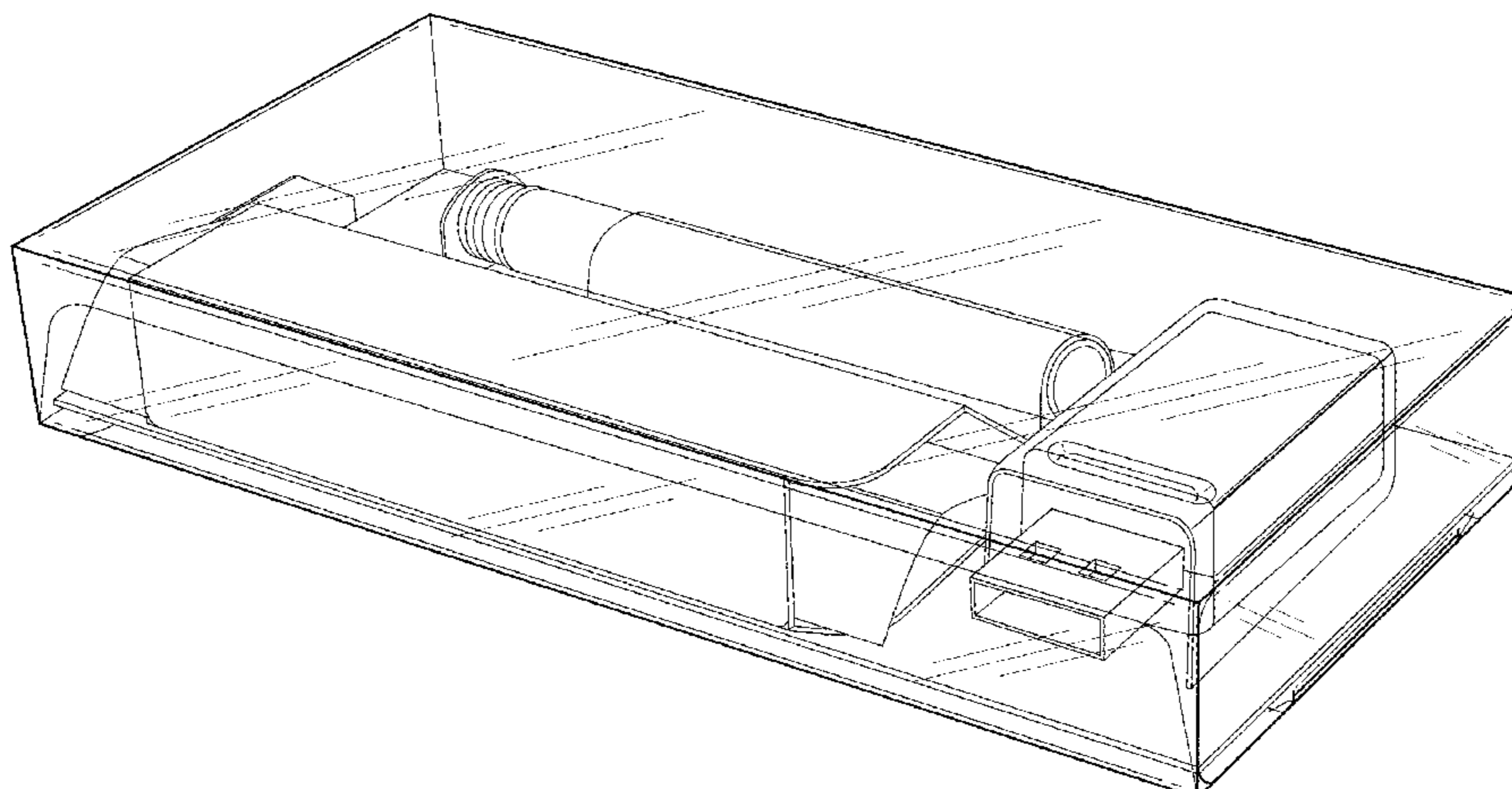
FIG. 7 is a front/right-side perspective view thereof.

2519/00318; B65D 11/20; B65D

(Continued)

2519/00174; B65D 2519/00268; B65D

2519/0094; B65D 5/48024; B65D



The dashed broken lines in the drawings represent environmental subject matter that form no part of the claimed design.

1 Claim, 5 Drawing Sheets

(56)

References Cited

U.S. PATENT DOCUMENTS

5,392,919 A * 2/1995 Passamoni B65D 73/0085
206/223
5,602,612 A * 2/1997 Angeli B65D 75/32
206/316.1
5,626,226 A * 5/1997 Gardiner B65D 75/322
206/349
5,967,327 A * 10/1999 Jones B65D 81/075
206/466
D417,391 S * 12/1999 Szczepanski D9/423
6,298,995 B1 * 10/2001 Schwester B65D 5/50
206/277
6,779,566 B2 * 8/2004 Engel A45D 40/00
141/100
D601,009 S * 9/2009 Shinn D9/415
7,650,997 B2 * 1/2010 Nago B65D 5/5014
206/315.11
D654,288 S * 2/2012 Lecoutre D6/682.3
8,235,204 B2 * 8/2012 Loughman B65D 5/38
206/1.5
8,550,250 B2 10/2013 Wade
8,631,935 B2 * 1/2014 Tomes A61M 25/00
206/364
D713,740 S * 9/2014 Akana D9/721
D748,498 S * 2/2016 Pipes D9/424
9,346,596 B2 5/2016 Hanks et al.
9,492,006 B2 * 11/2016 Jimenez A46B 11/0065

9,527,643 B2 * 12/2016 Streich B65D 73/005
2003/0159969 A1 * 8/2003 McMichael A61B 50/33
206/570
2003/0213725 A1 * 11/2003 Koike B65D 81/133
206/588
2009/0114565 A1 * 5/2009 Dhuru B65D 5/0254
206/780
2009/0285436 A1 * 11/2009 Lowry H04R 1/1016
381/380
2009/0326707 A1 * 12/2009 Mattila B65D 5/5038
700/216
2011/0100847 A1 * 5/2011 Ruth B65D 81/133
206/320
2011/0147241 A1 * 6/2011 Marcinkowski B65D 75/327
206/223
2013/0118944 A1 * 5/2013 Niiro B65D 73/02
206/471
2014/0262931 A1 9/2014 Fath
2015/0375893 A1 * 12/2015 Korinek B65D 5/503
493/90
2016/0101919 A1 4/2016 Zacherle et al.
2017/0008683 A1 * 1/2017 Fath B65D 75/367
2017/0060262 A1 * 3/2017 Hviid G06F 3/03
2017/0127787 A1 * 5/2017 Trivedi B26B 21/40

FOREIGN PATENT DOCUMENTS

WO WO-2015/028814 A1 3/2015
WO WO-2015088744 A1 6/2015
WO WO-2016/054391 A1 4/2016

OTHER PUBLICATIONS

International Search Report and Written Opinion thereof dated Jan. 18, 2018 for corresponding International Application No. PCT/EP2017/069245.

* cited by examiner

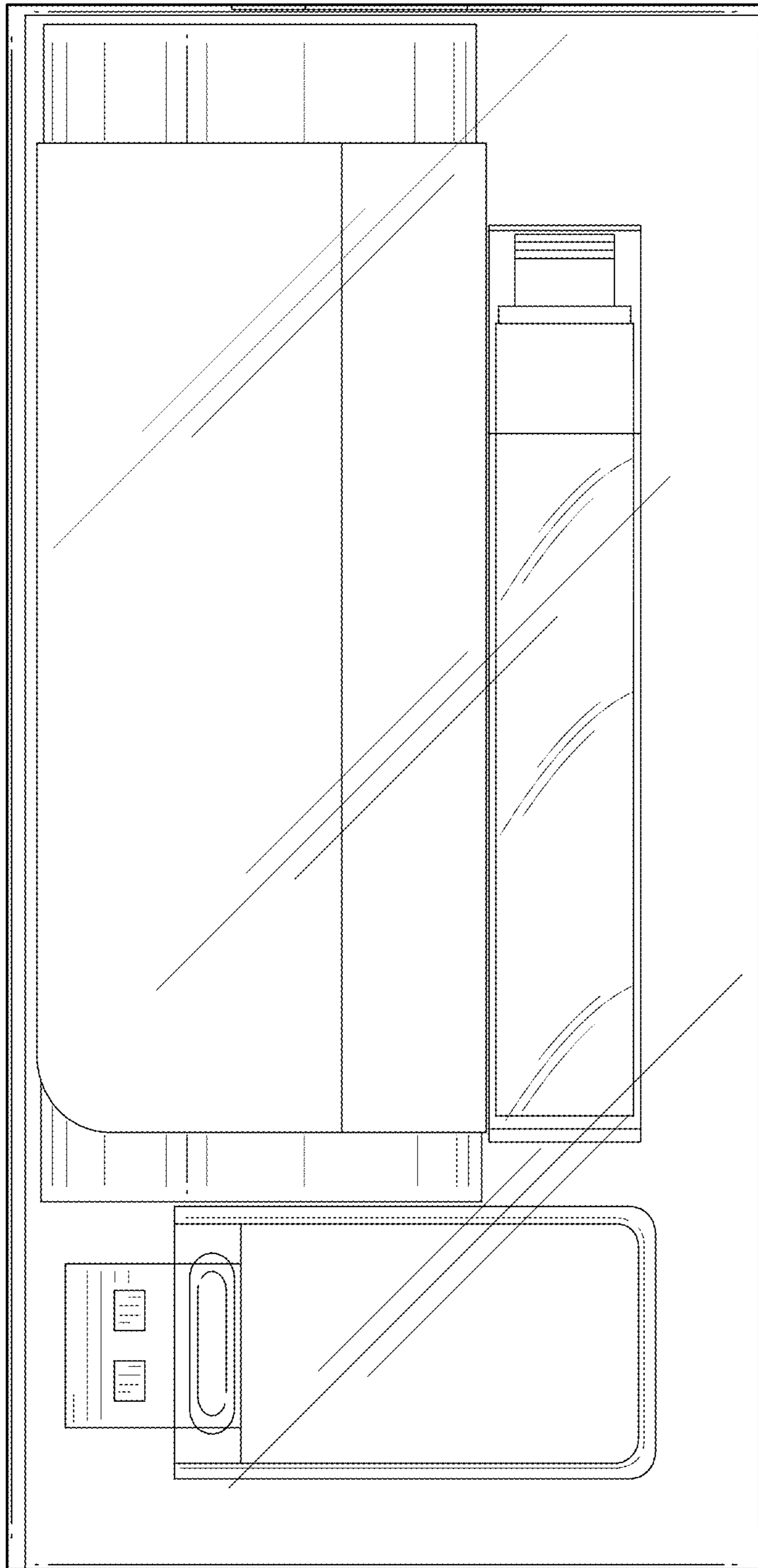


FIG. 1

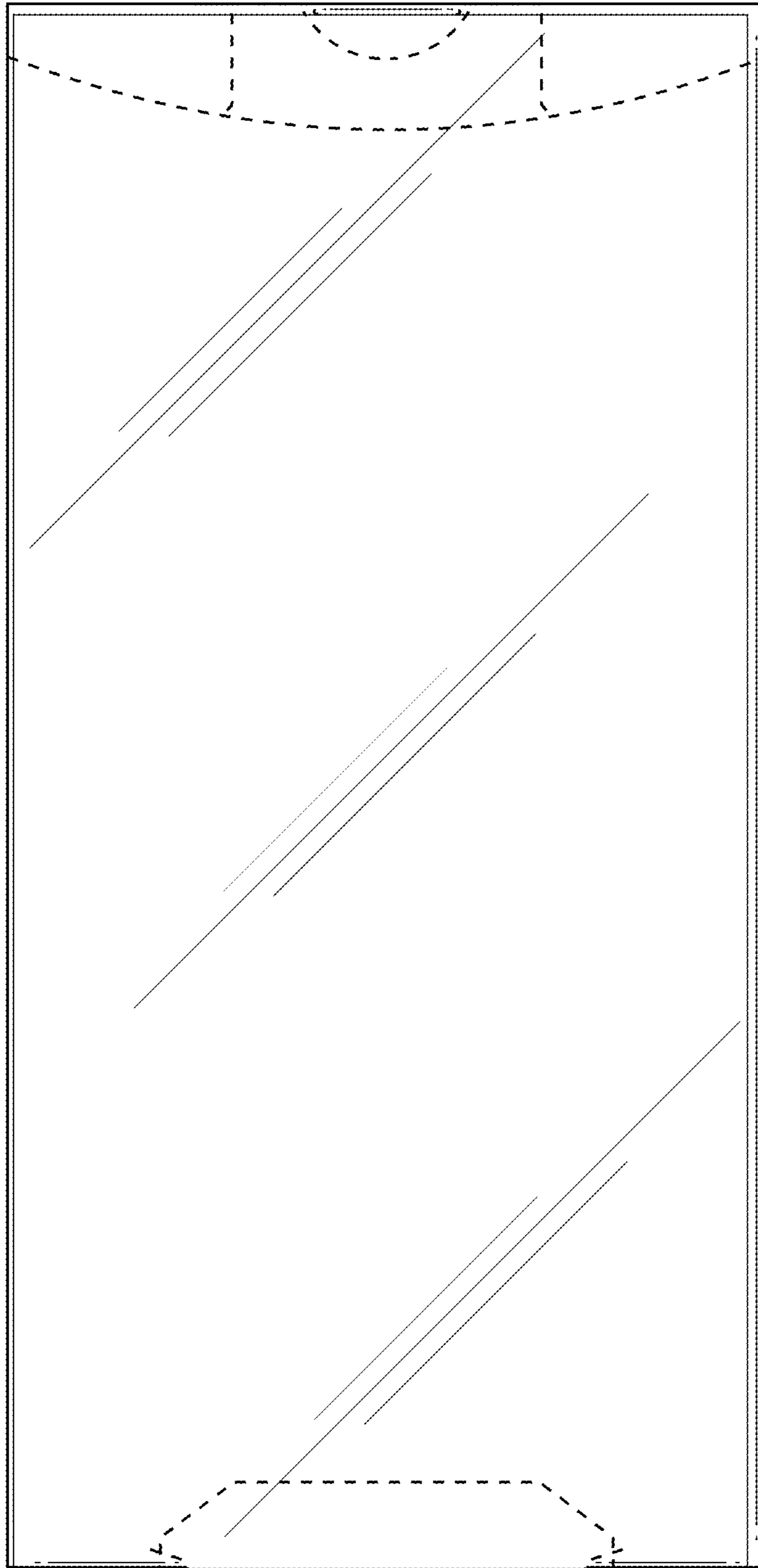


FIG. 2

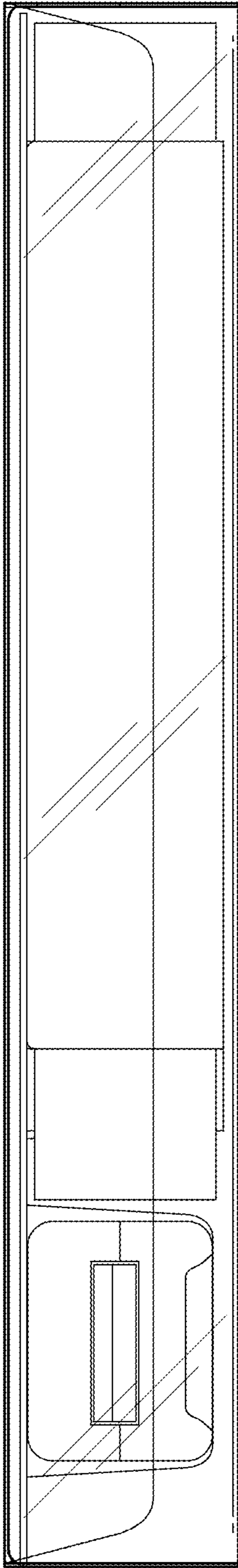


FIG. 3

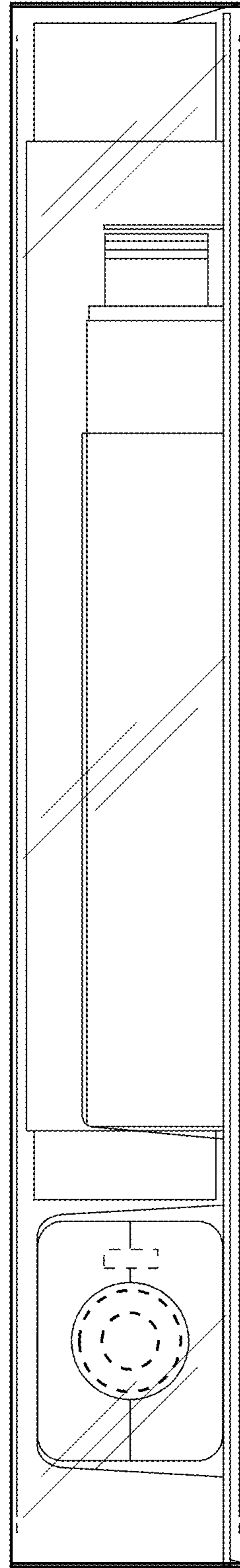


FIG. 4

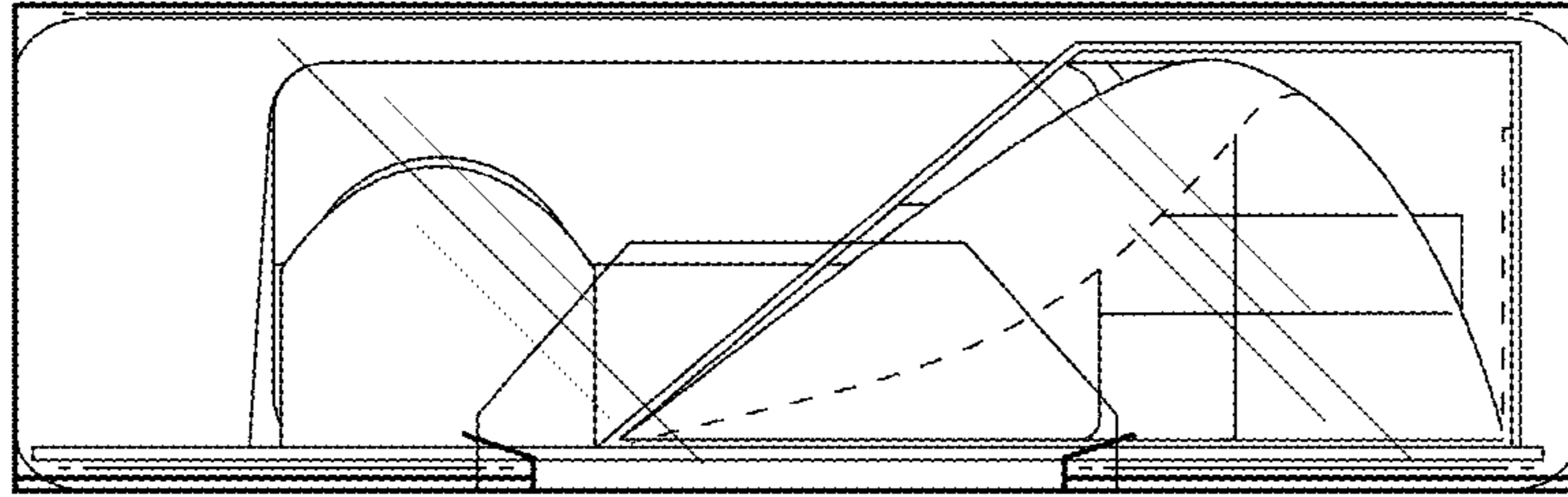


FIG. 5

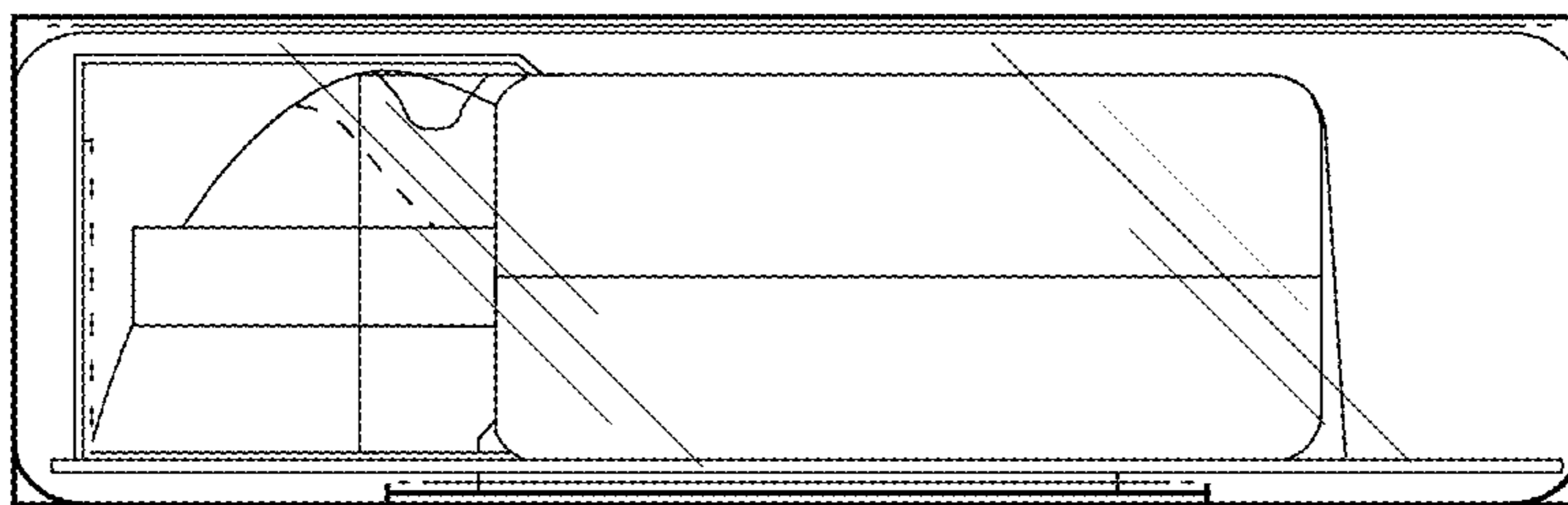


FIG. 6

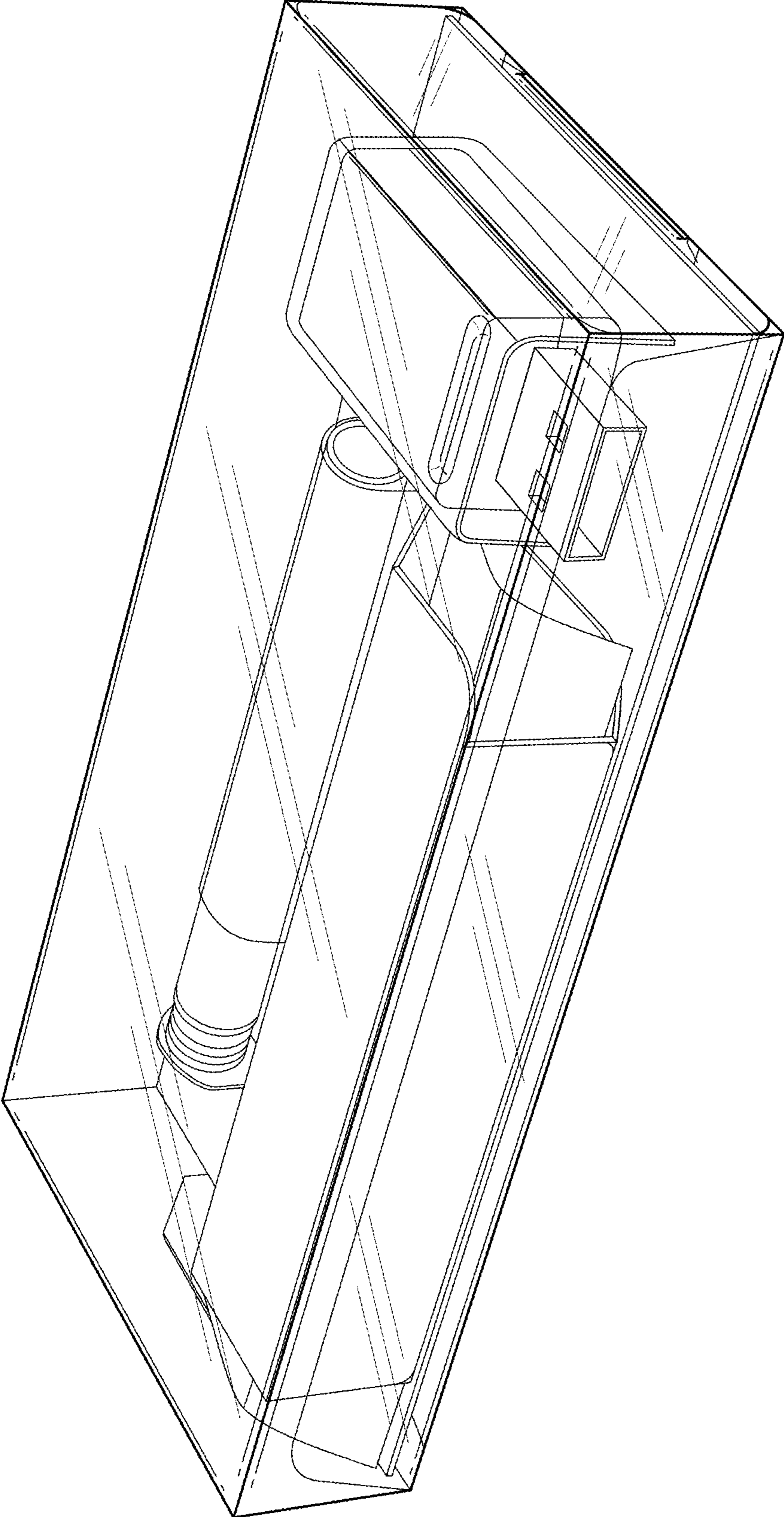


FIG. 7