



US00D830850S

(12) **United States Design Patent** (10) **Patent No.:** **US D830,850 S**
Tan (45) **Date of Patent:** **** Oct. 16, 2018**

(54) **SEALABLE WAVE BAG**

(74) *Attorney, Agent, or Firm* — Beyer Law Group LLP

(71) Applicant: **Pan Pacific Plastics Mfg., Inc.**,
Hayward, CA (US)

(57) **CLAIM**

I claim the ornamental design for a sealable wave bag, substantially as shown and described.

(72) Inventor: **Hin Siang Michael Tan**, Danville, CA
(US)

DESCRIPTION

(73) Assignee: **PAN PACIFIC PLASTICS MFG., INC.**, Hayward, CA (US)

FIG. 1 is a front right perspective view of a sealable wave bag in accordance with the present design.

(**) Term: **15 Years**

FIG. 2 is a front view of the sealable wave bag of FIG. 1, the rear view being a mirror image thereof.

(21) Appl. No.: **29/611,777**

FIG. 3 is a left side view thereof, the right side view being a mirror image thereof.

(22) Filed: **Jul. 25, 2017**

FIG. 4 is a top view thereof.

Related U.S. Application Data

FIG. 5 is a bottom view thereof.

(63) Continuation of application No. 15/388,740, filed on Dec. 22, 2016, which is a continuation-in-part of application No. 15/374,764, filed on Dec. 9, 2016.

FIG. 6 is an interior view of a rear sheet-like panel, taken along the plane of the line 6-6 in FIG. 3.

(51) **LOC (11) Cl.** **09-05**

FIG. 7 is an interior view of a front sheet-like panel, taken along the plane of the line 7-7 in FIG. 3.

(52) **U.S. Cl.**

USPC **D9/709**

FIG. 8 is a front right perspective view of the sealable wave bag of FIG. 1, illustrating the sealable wave bag in an opened position.

(58) **Field of Classification Search**

USPC D9/702-714, 430-434, 423, 499;
D3/303, 202, 205, 221, 226, 246, 240,
(Continued)

FIG. 9 is a front left perspective view thereof.

(56) **References Cited**

U.S. PATENT DOCUMENTS

D241,321 S * 9/1976 Paige D9/704
4,125,220 A 11/1978 Suominen
(Continued)

FIG. 10 is a front right perspective view of the opened sealable wave bag of FIG. 8, illustrating the opened sealable wave bag with a front handle flap folded down.

FIG. 11 is a front right perspective view of the opened sealable wave bag of FIG. 8, illustrating the opened sealable wave bag with both the front and a rear handle flap folded down.

OTHER PUBLICATIONS

Hin Siang Michael Tan, U.S. Appl. No. 15/374,764, filed Dec. 9, 2016.

Hin Siang Michael Tan, U.S. Appl. No. 15/388,740, filed Dec. 22, 2016.

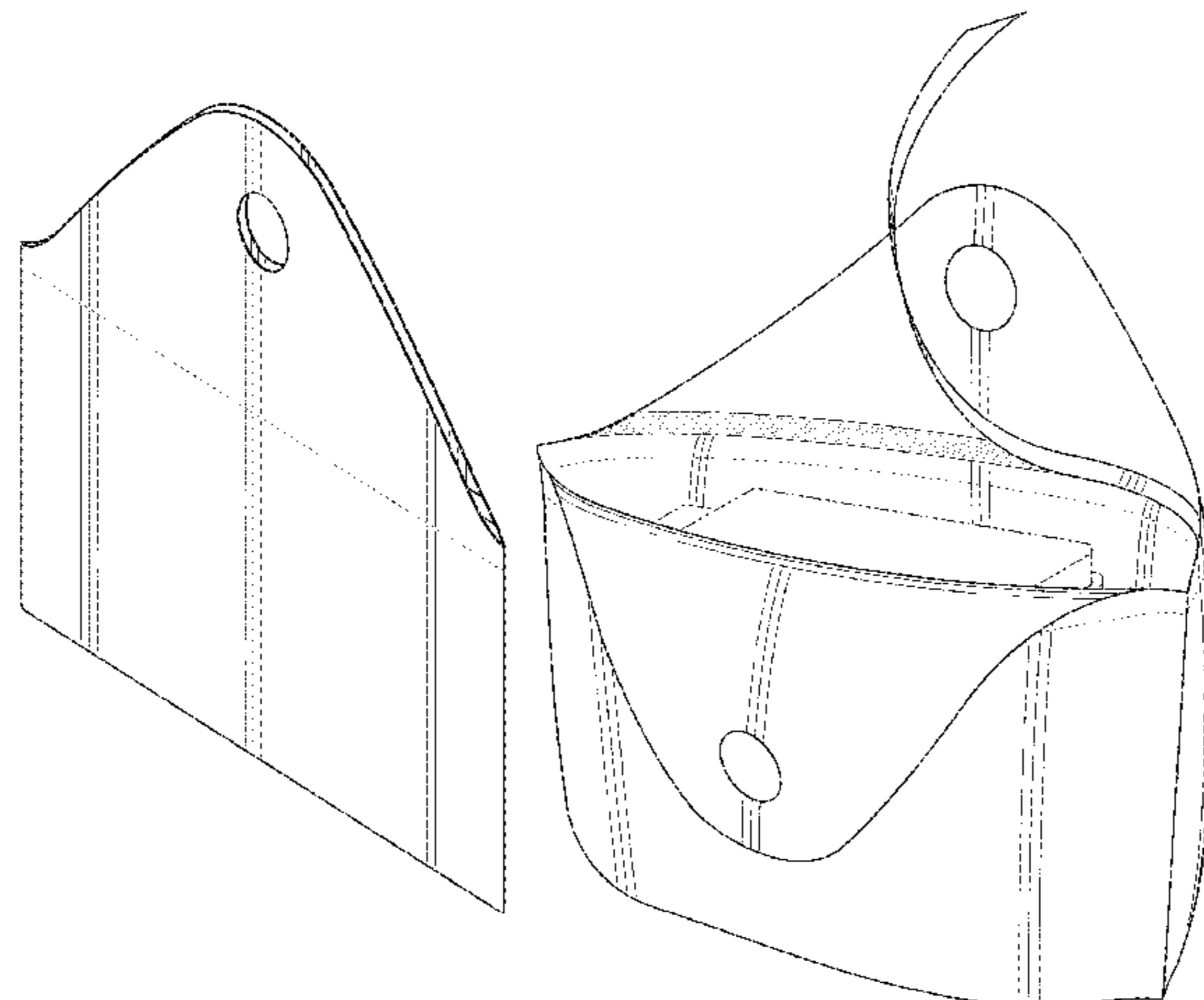
FIG. 12 is a front right perspective view of the opened sealable wave bag of FIG. 10, illustrating content, shown in dash-dot-dot-dash lines, contained in the opened sealable wave bag, as well as partial removal of a protective cover over an adhesive seal.

FIG. 13 is a front right perspective view of the sealable wave bag of FIG. 12, illustrating the front and rear handle flaps sealed together; and,

FIG. 14 is a front right perspective view of the sealable wave bag of FIG. 13, illustrating the front and rear handle flaps removed from the remaining wave bag, via perforations, to access the contents, shown in dotted lines.

Primary Examiner — Abraham Bahta

(Continued)



The broken lines in the Figures show portions of the sealable wave bag which form no part of the claimed design.

The dash-dot-dot-dash line showing of a content within the sealable wave bag is included for the purpose of illustrating environmental structure and forms no part of the claimed design.

The shade lines in the Figures show contours and not surface ornamentation.

1 Claim, 12 Drawing Sheets

(58) Field of Classification Search

USPC D3/304–315, 201, 276; 383/6, 105–120, 383/127, 10; 220/915.1, 915.2, 592.01, 220/773, 755; D7/601, 605–607, D7/709–710, 393, 394, 395, 602, 622, D7/624.2; 206/139, 428, 488, 427, 433, 206/434, 432; 229/117.19, 116.5, 923, 229/87.03, 87.18, 87.19, 117.09; 150/100, 107; 493/226; 215/399, 396

CPC B65D 33/00; B65D 33/12; B65D 33/16; B65D 31/00; B65D 31/10; B65D 5/00; B65D 5/06; A45C 1/00; A45C 1/02; A45C 3/06; A45C 3/00; A45C 3/10

See application file for complete search history.

(56)

References Cited

U.S. PATENT DOCUMENTS

D258,204	S	*	2/1981	Rudenschold	206/312
4,717,262	A	*	1/1988	Roen	B65D 31/08 383/104
4,877,335	A	*	10/1989	Barnard	B65D 33/065 383/120
5,338,118	A		8/1994	DeMatteis		
D404,203	S	*	1/1999	Maier-Aichen	D3/245
D684,369	S	*	6/2013	Daigle	D3/309
D706,030	S	*	6/2014	Wang	D3/245
D755,510	S	*	5/2016	Haast	D3/232
D782,918	S	*	4/2017	Ross	D9/705
D784,157	S	*	4/2017	Ross	D9/705
D796,967	S	*	9/2017	Abang, Jr.	D9/703
2007/0031067	A1		2/2007	Gebhardt		

* cited by examiner

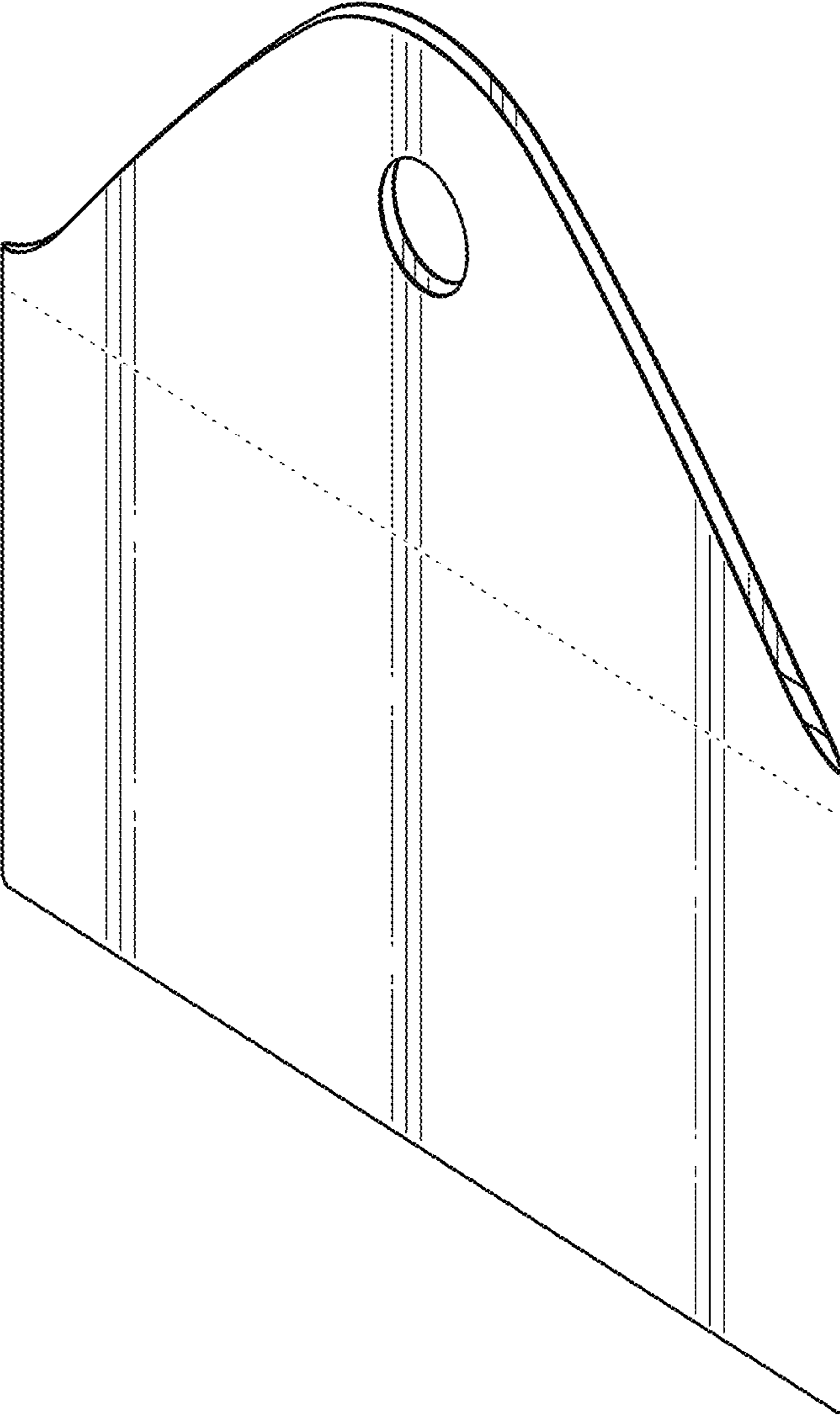


FIG. 1

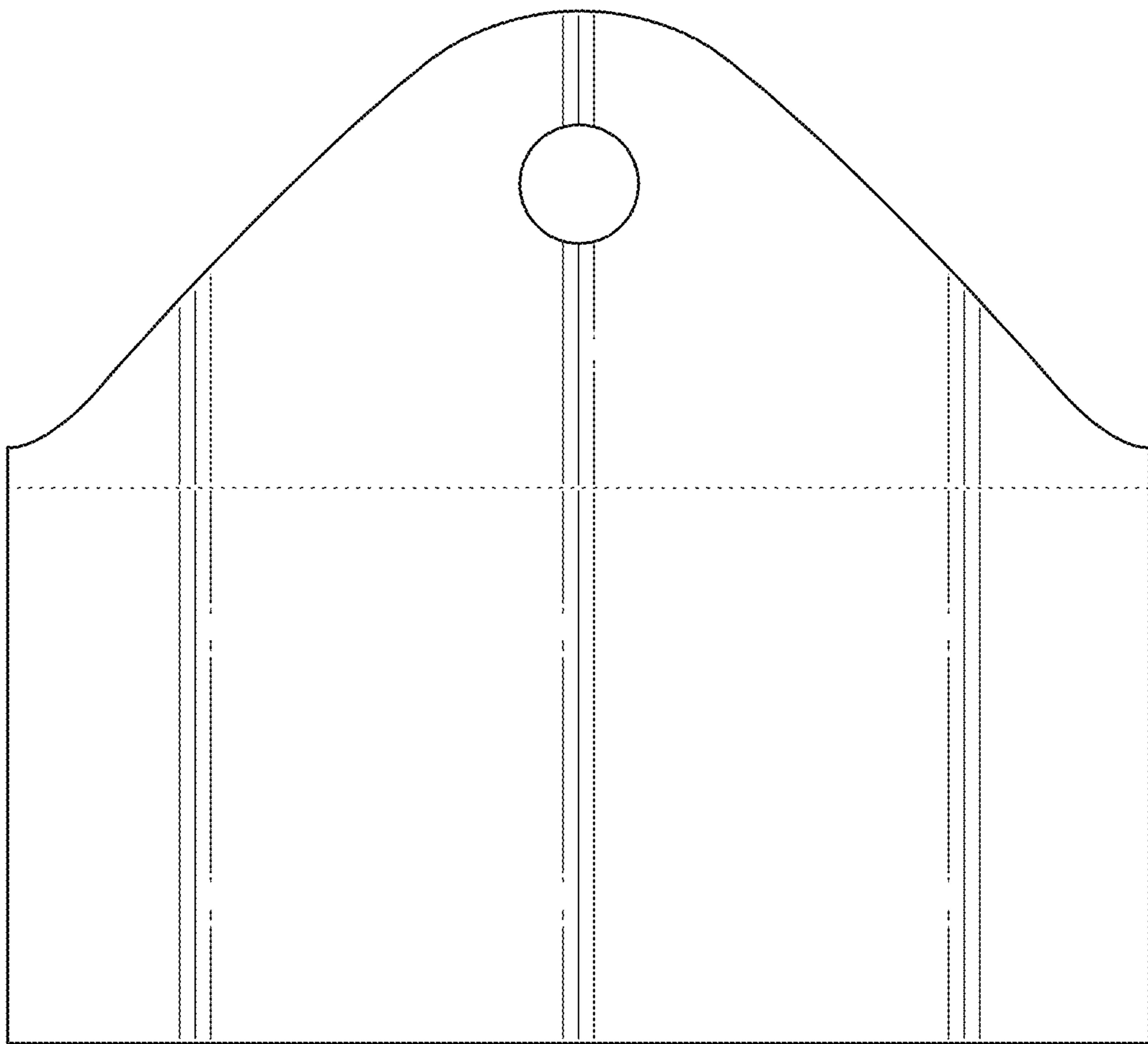


FIG. 2

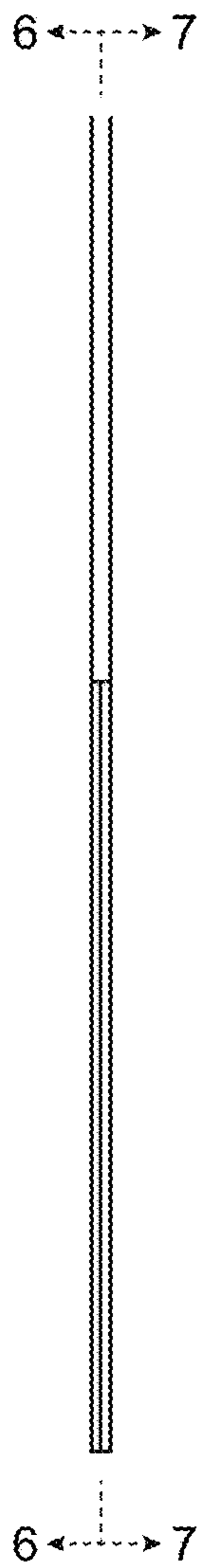


FIG. 3

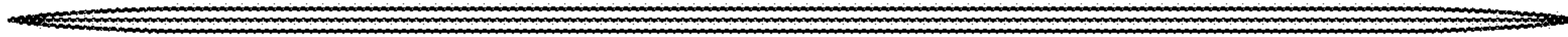


FIG. 4



FIG. 5

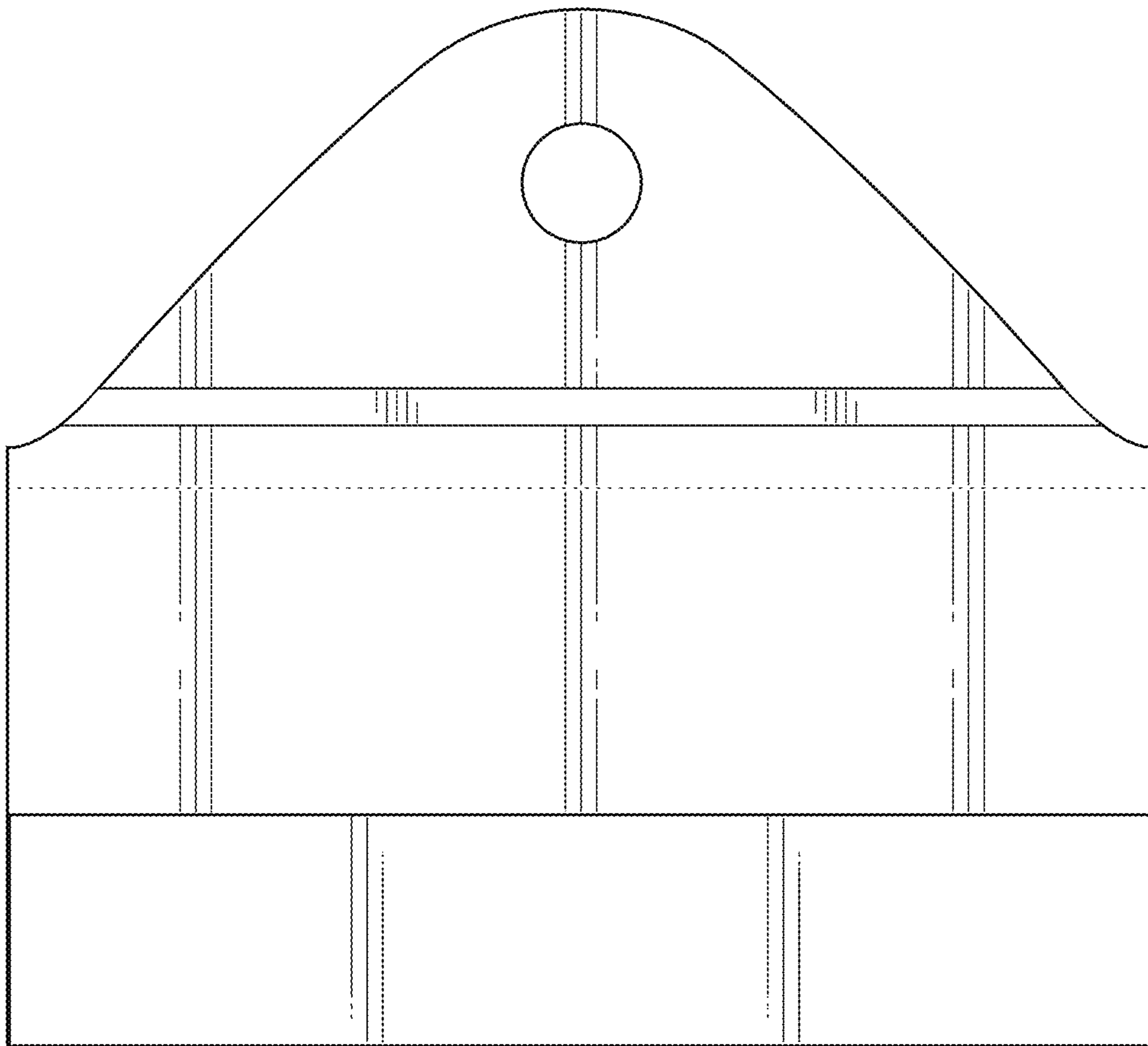


FIG. 6

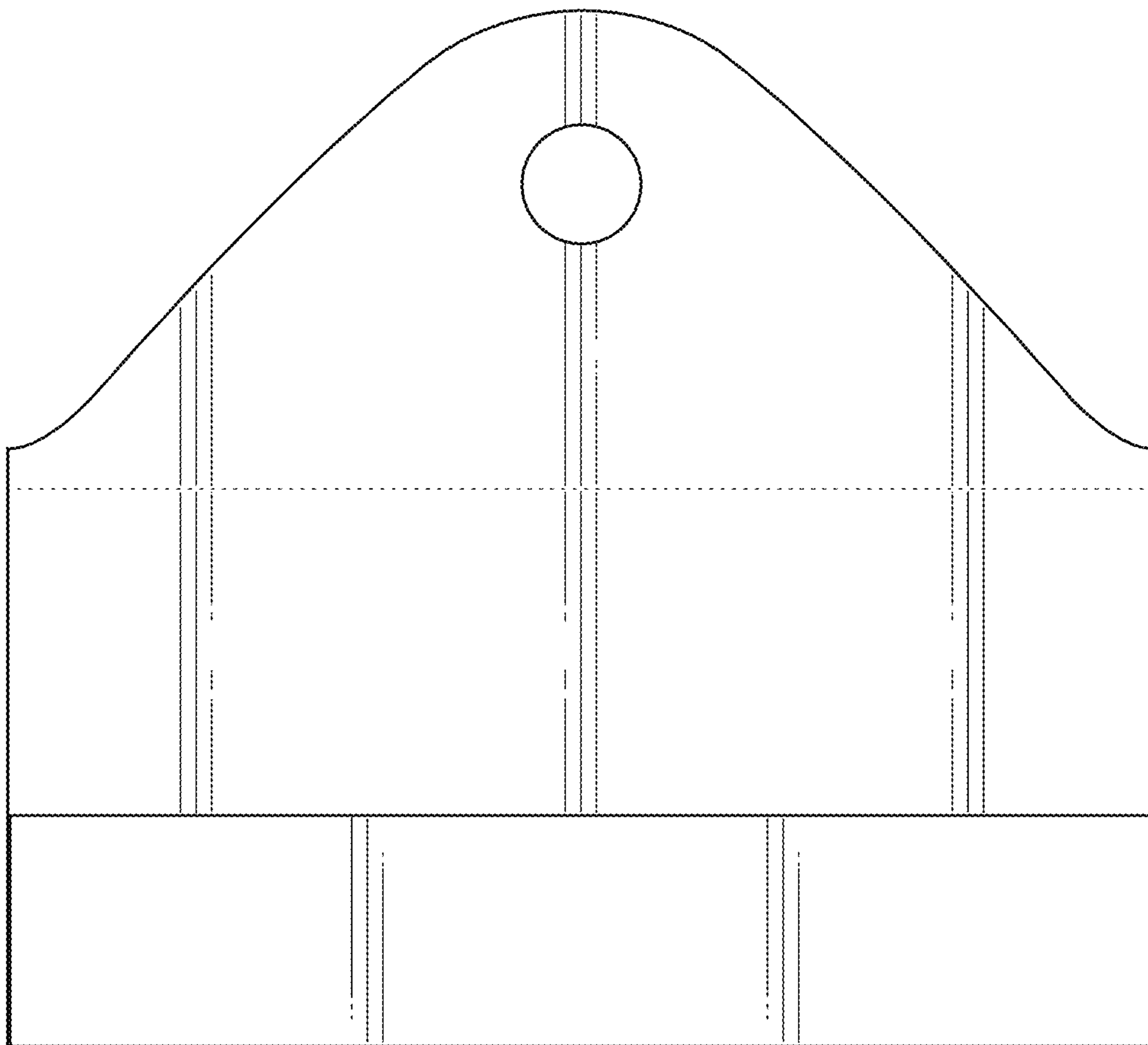


FIG. 7

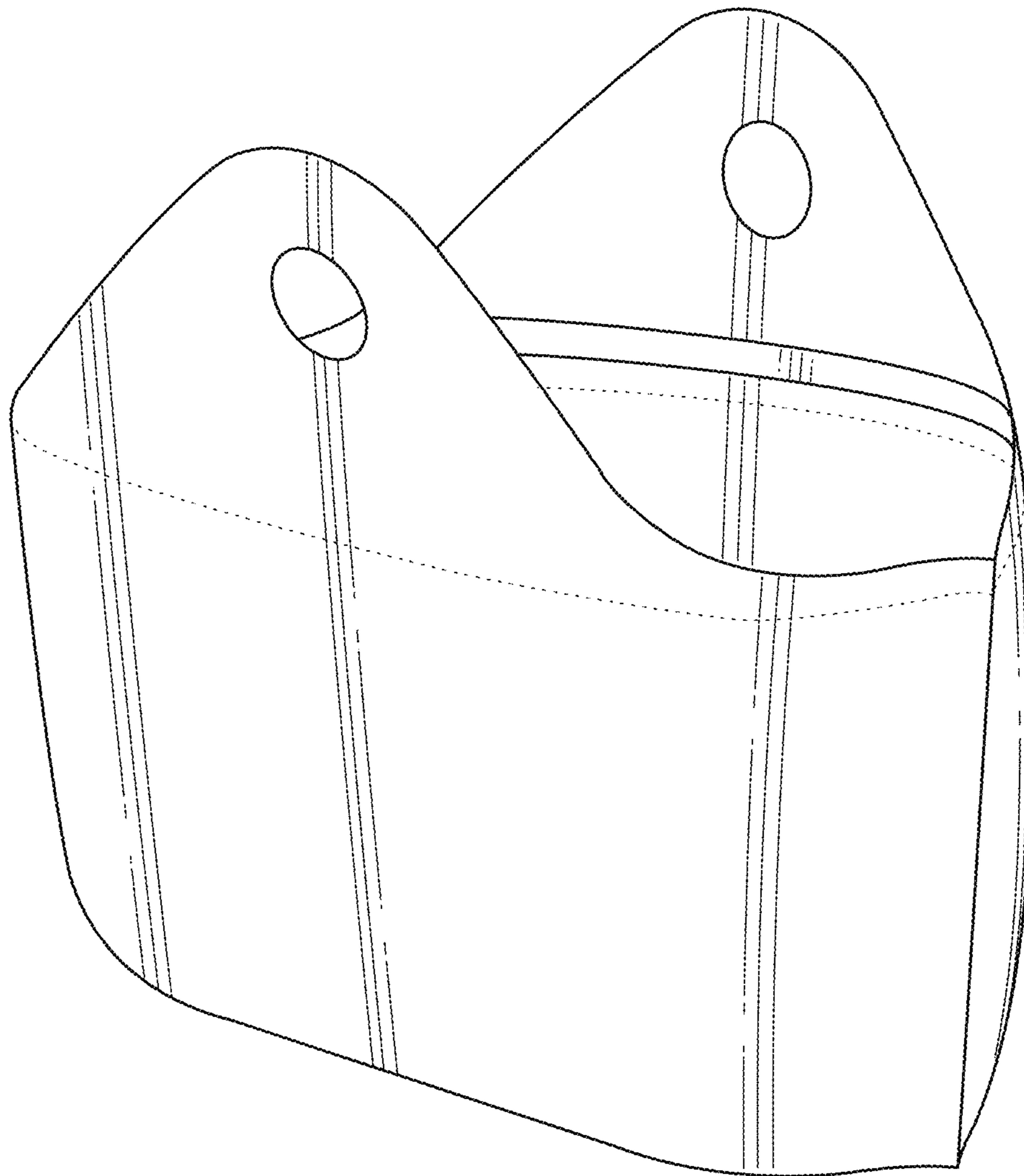


FIG. 8

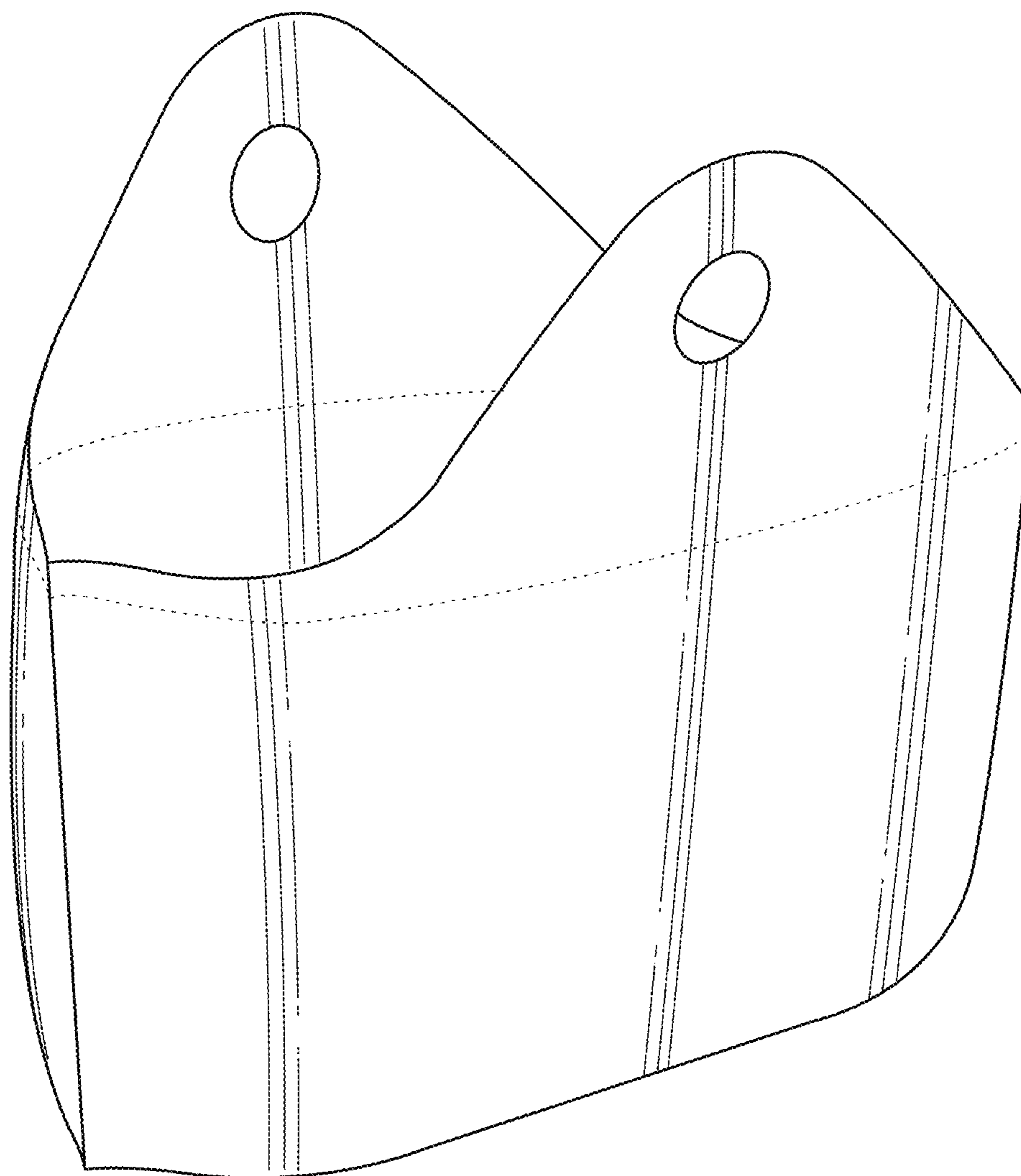


FIG. 9

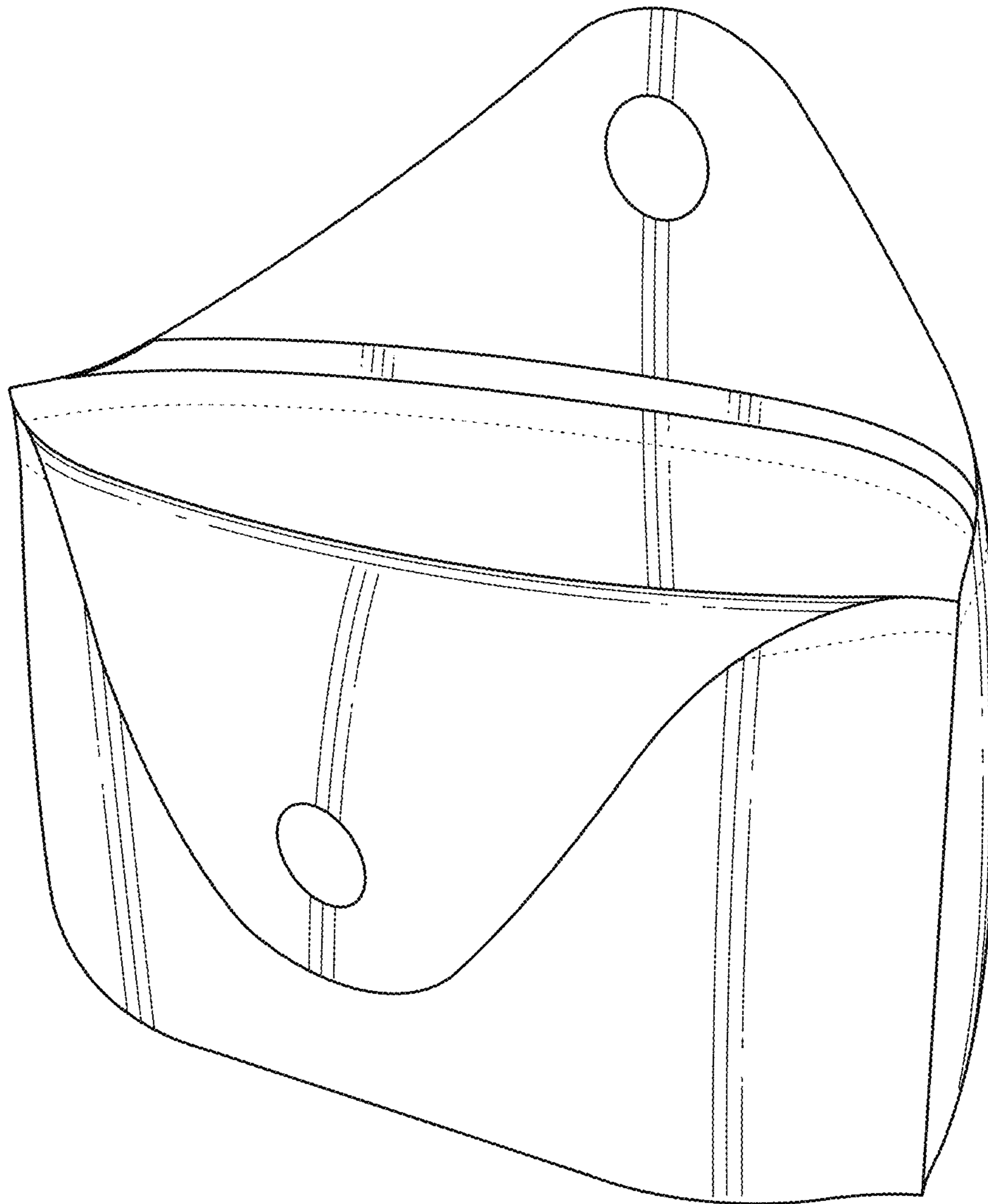


FIG. 10

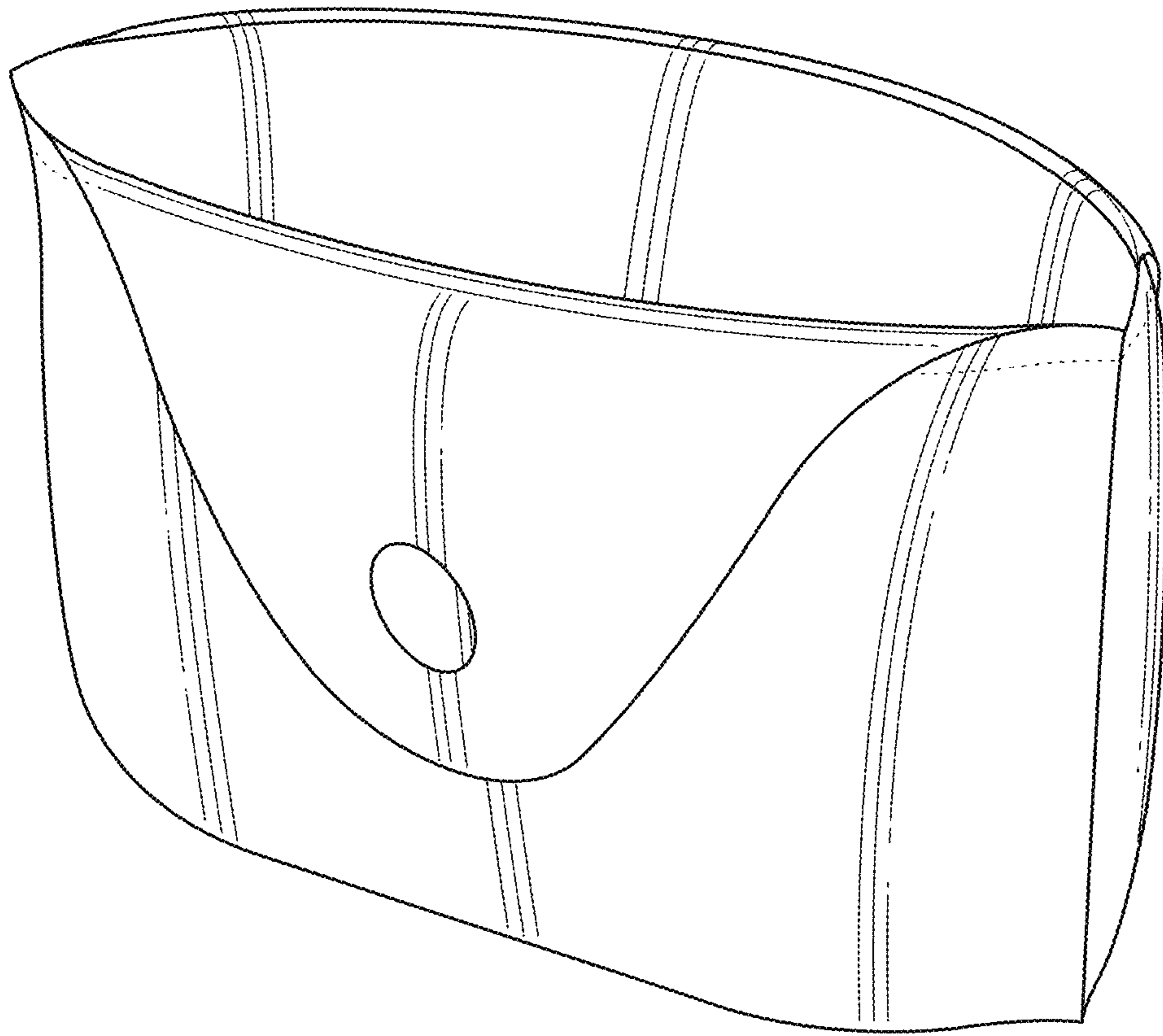


FIG. 11

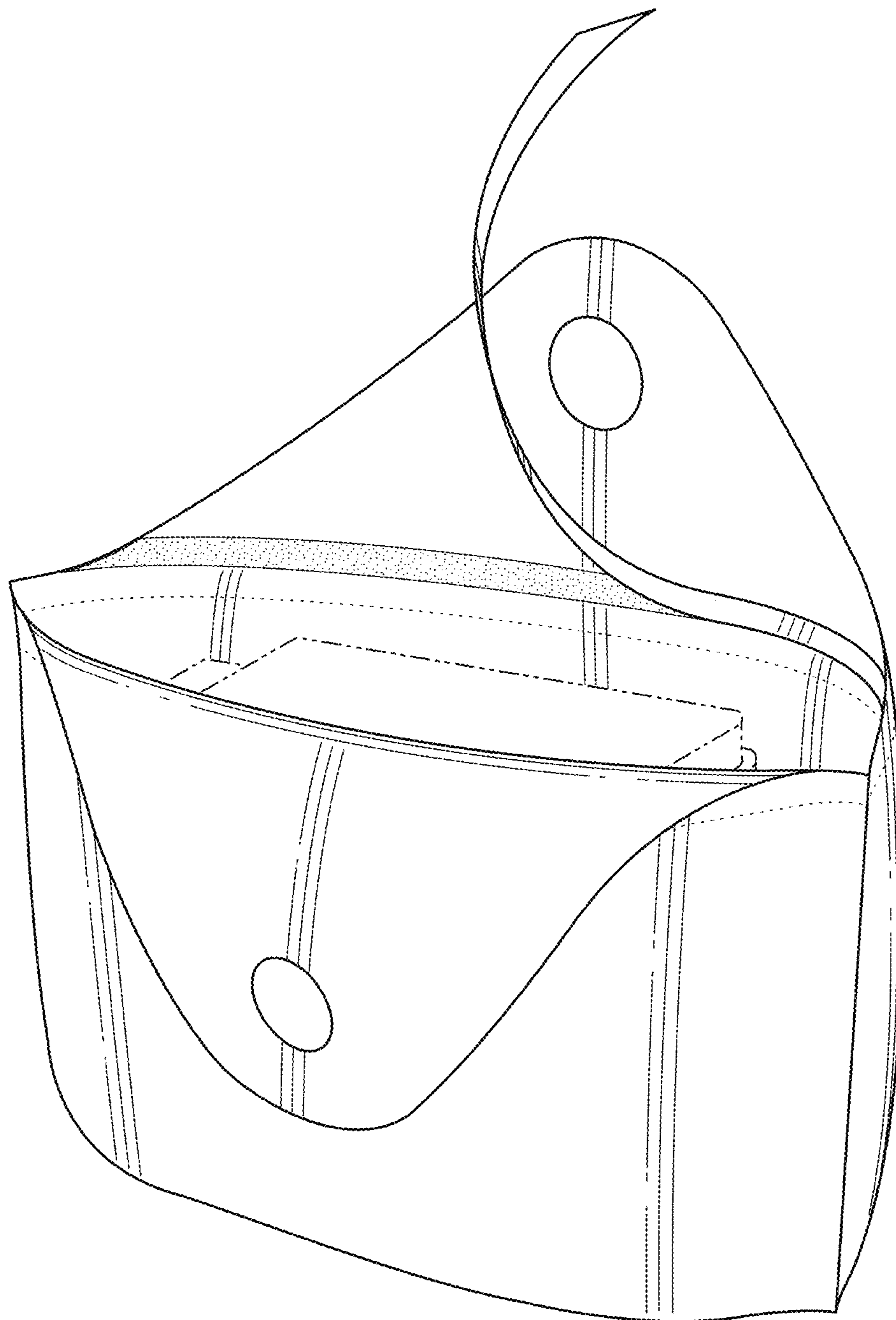


FIG. 12

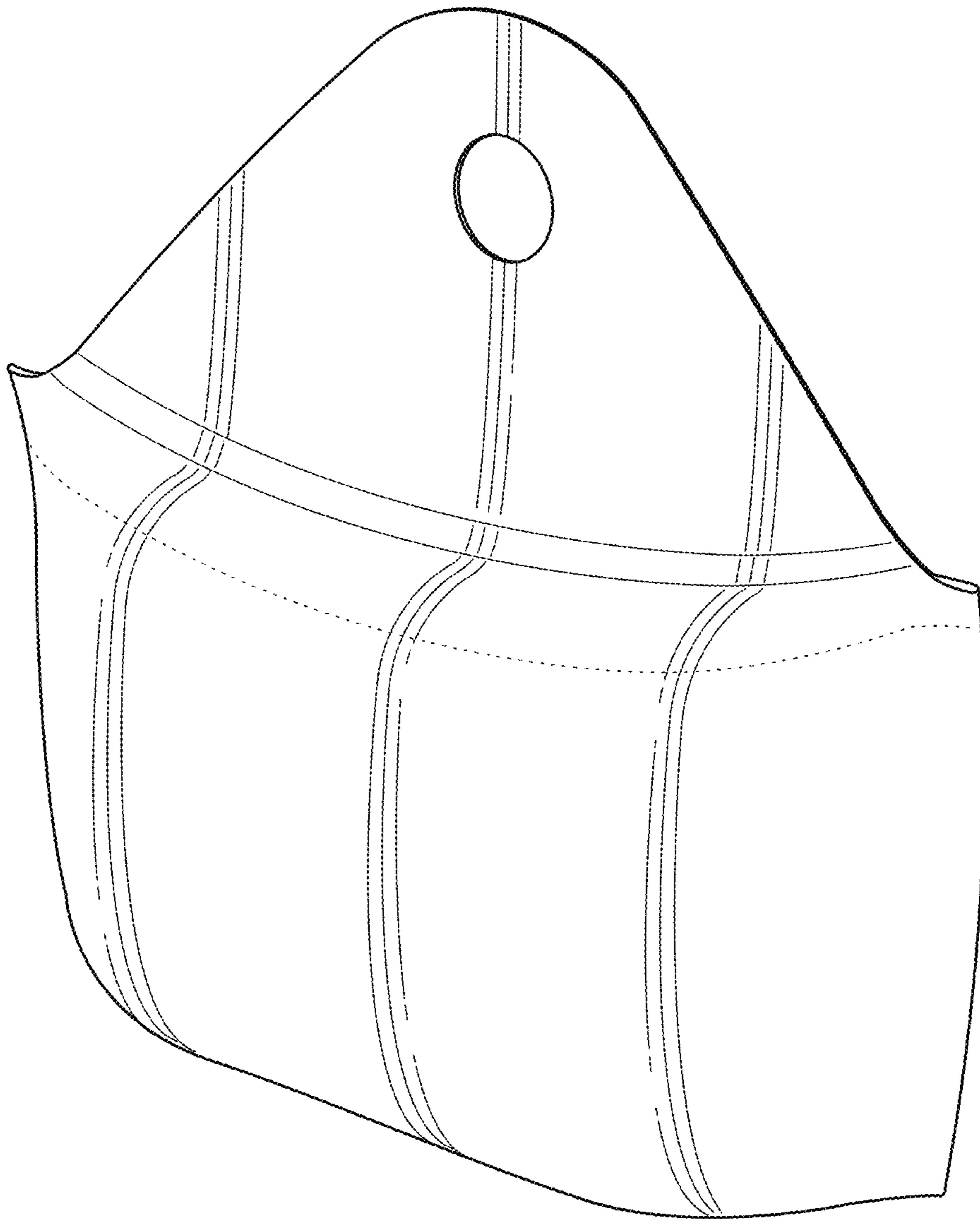


FIG. 13

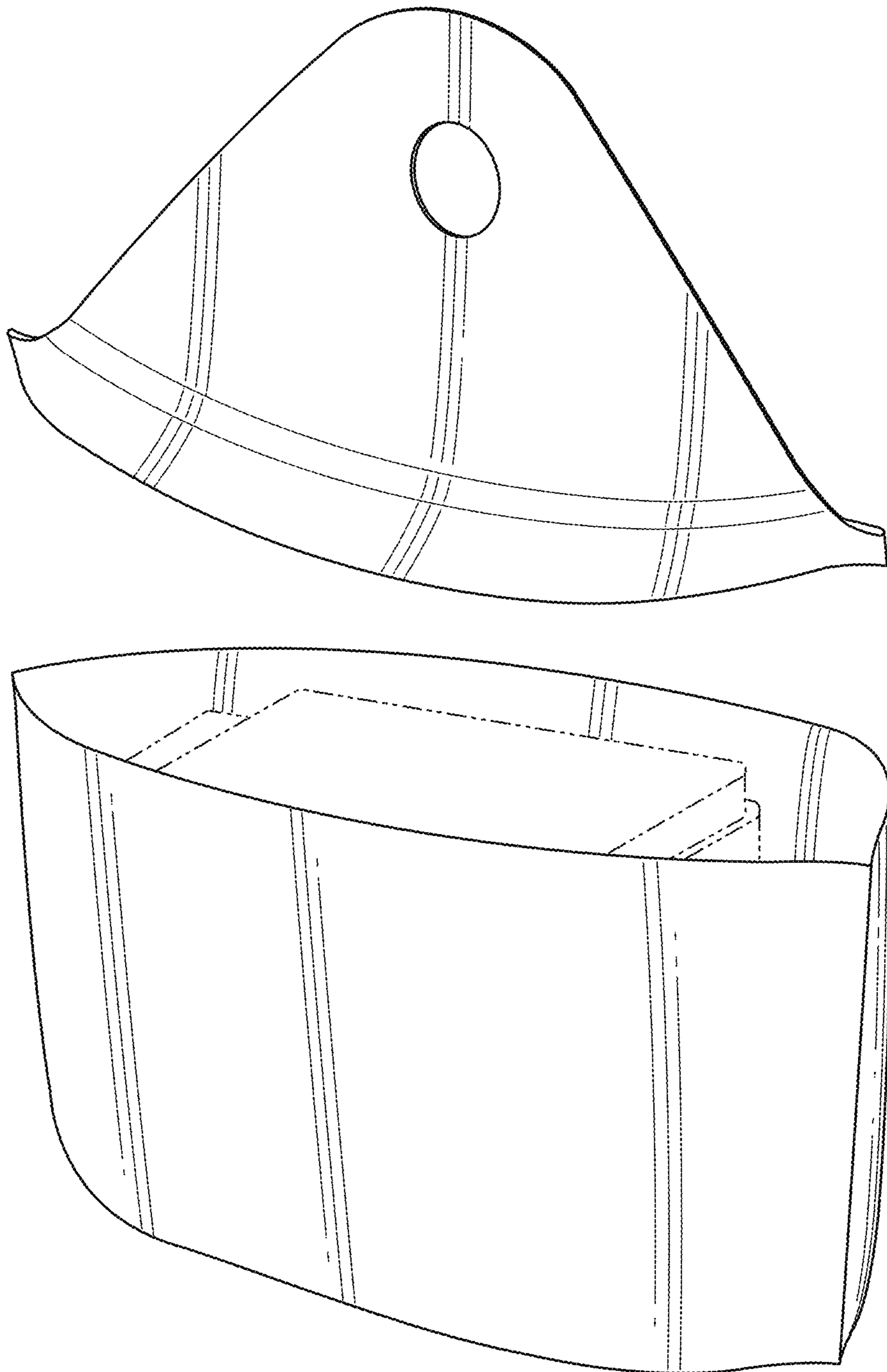


FIG. 14