



US00D830826S

(12) **United States Design Patent** (10) **Patent No.:** **US D830,826 S**
Bae (45) **Date of Patent:** **** Oct. 16, 2018**

(54) **CAP FOR COSMETIC CONTAINER**

(71) Applicant: **Taesung Industrial Co., Ltd.**,
Anyang-si, Gyeonggi-do (KR)

(72) Inventor: **Hae Dong Bae**, Seongnam-si (KR)

(73) Assignee: **Taesung Industrial Co., Ltd.**,
Anyang-si, Gyeonggi-do (KR)

(**) Term: **15 Years**

(21) Appl. No.: **29/558,861**

(22) Filed: **Mar. 22, 2016**

(30) **Foreign Application Priority Data**

Dec. 8, 2015 (KR) 30-2015-0062436

(51) **LOC (11) Cl.** **09-01**

(52) **U.S. Cl.**
USPC **D9/445**

(58) **Field of Classification Search**
USPC D9/428, 429, 434, 435, 442-443,
D9/445-450, 453-456, 499, 500, 545,
D9/682, 684-686; D7/387, 392, 393,
D7/396.2, 396.4, 509, 510, 511, 514;
D3/202, 203.2, 223, 264, 294, 304, 318;
D28/76, 82, 84, 91.1
CPC .. A61J 1/00; A61J 1/1412; B65D 1/00; B65D
1/02; B65D 1/10; B65D 1/46; B65D
2585/56; B65D 2585/545; B65D 41/00;
B65D 41/56; B65D 41/62; B65D 47/06;
B65D 47/08; B65D 2543/00046; B65D
2543/00092; B65D 2543/00296
See application file for complete search history.

(56) **References Cited**

U.S. PATENT DOCUMENTS

D32,427 S * 4/1900 Fenn D9/500
D126,711 S * 4/1941 Bramhall D9/500
D238,930 S * 2/1976 Dadmun, Jr. et al. D7/300

D241,012 S * 8/1976 de Muller y de Abadal
D9/500
D334,711 S * 4/1993 Ekuan D9/435
D412,837 S * 8/1999 Blackburn D9/500
D419,719 S * 1/2000 Garcia D28/7
D450,888 S * 11/2001 Breidenbach D28/76
D529,799 S * 10/2006 Jensen D7/397
D539,160 S * 3/2007 Claes D9/545
D563,222 S * 3/2008 Yamanaka D9/447
D614,492 S * 4/2010 Hermel D9/500

(Continued)

FOREIGN PATENT DOCUMENTS

CN 303838510 * 9/2016

OTHER PUBLICATIONS

Mineyeung: A Lamb in Wolf's Skin "Chateau Labiotte Wine Lip Tints Review" (online) posted by Jasmine on Mar. 10, 2016. Retrieved from Internet Jul. 18, 2017, URL: <https://mineyeung.wordpress.com/2016/03/10/chateau-labiotte-wine-lip-tints/> (13 pages).*

Primary Examiner — Karen S Acker

Assistant Examiner — Wendy L Arminio

(74) *Attorney, Agent, or Firm* — Hauptman Ham, LLP

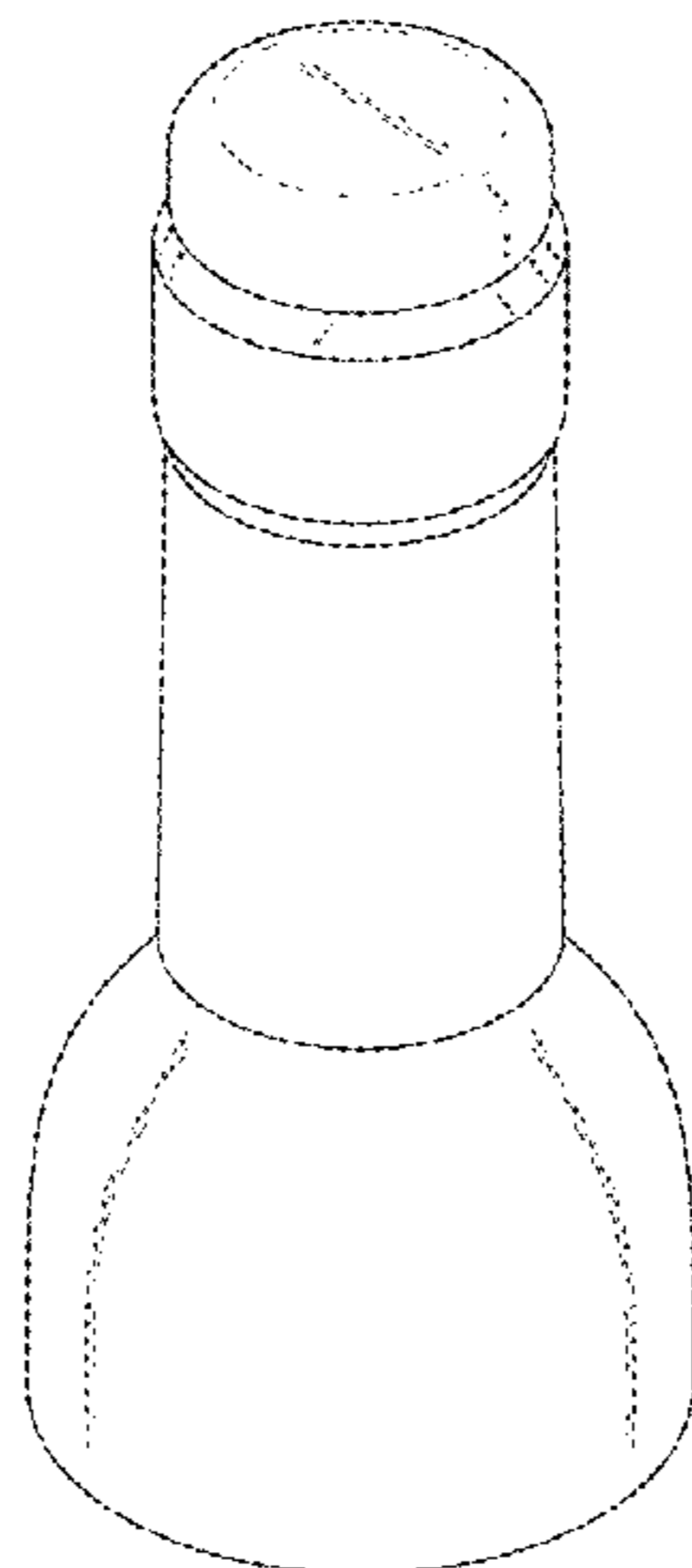
(57) **CLAIM**

The ornamental design for a cap for cosmetic container, as shown and described.

DESCRIPTION

FIG. 1 is a perspective view of a cap for cosmetic container showing my new design;
FIG. 2 is a front view thereof;
FIG. 3 is a top plan view thereof;
FIG. 4 is a bottom plan view thereof;
FIG. 5 is a bottom perspective view thereof; and,
FIG. 6 is a cross section view taken along line 6-6 in FIG. 3.
The broken lines depict portions of the cap for cosmetic container that form no part of the claimed design.

1 Claim, 6 Drawing Sheets



(56)

References Cited

U.S. PATENT DOCUMENTS

D654,794 S *	2/2012	Morais	D9/500
D674,146 S *	1/2013	Bae	D28/76
D728,370 S *	5/2015	Claussen	D9/453
D751,405 S *	3/2016	Hamilton	D9/500
D762,476 S *	8/2016	Velmer	D9/445
2011/0271978 A1 *	11/2011	Bae	A45D 33/006 132/293

* cited by examiner

FIG. 1

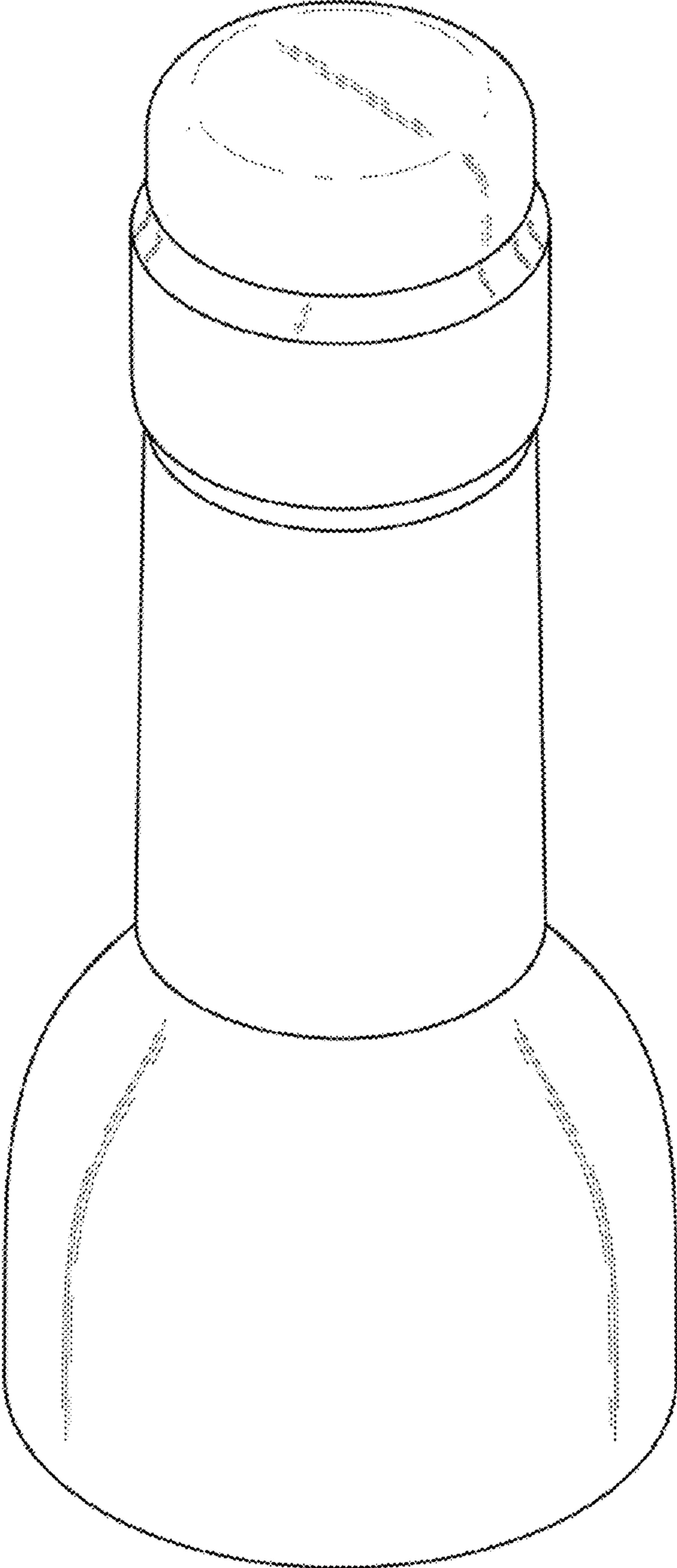


FIG. 2

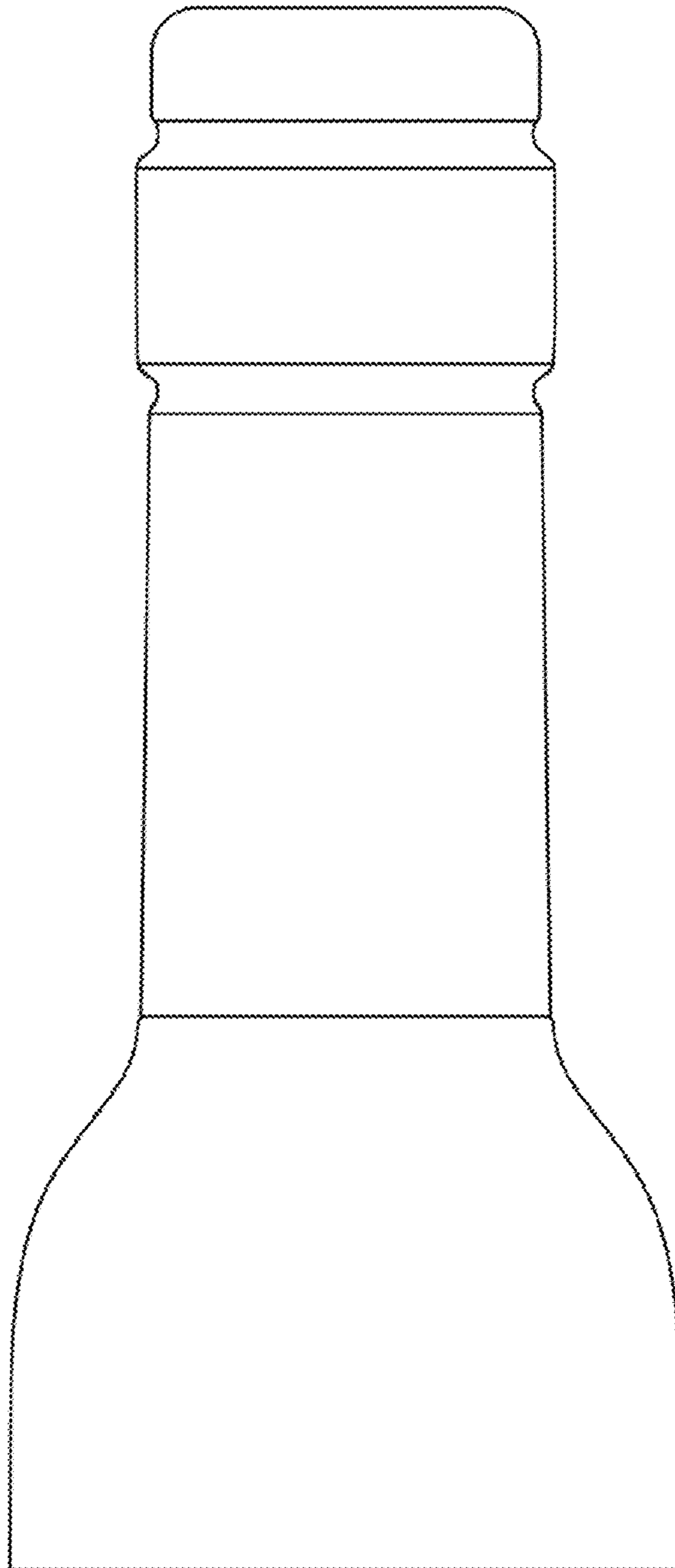


FIG. 3

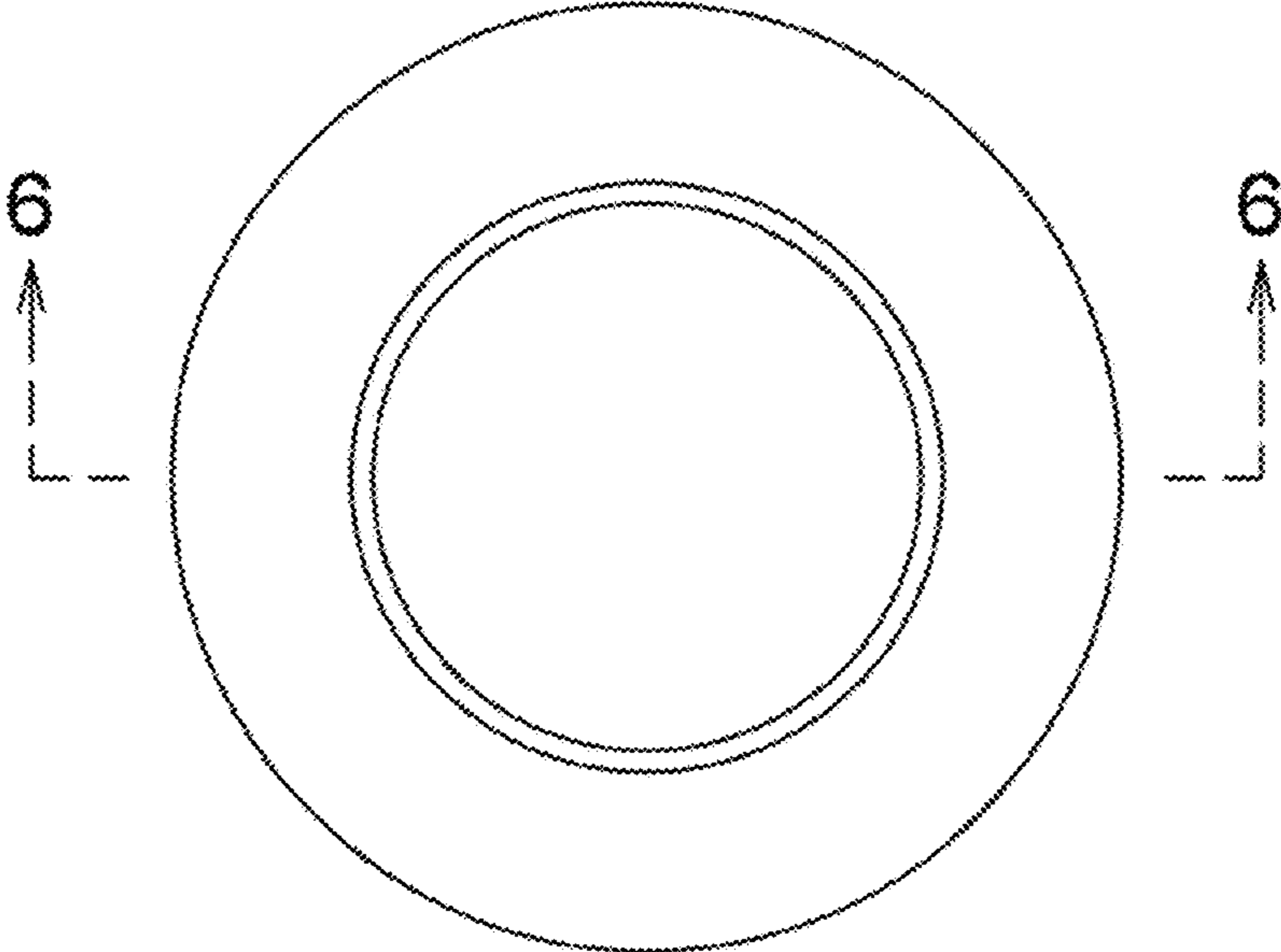


FIG. 4

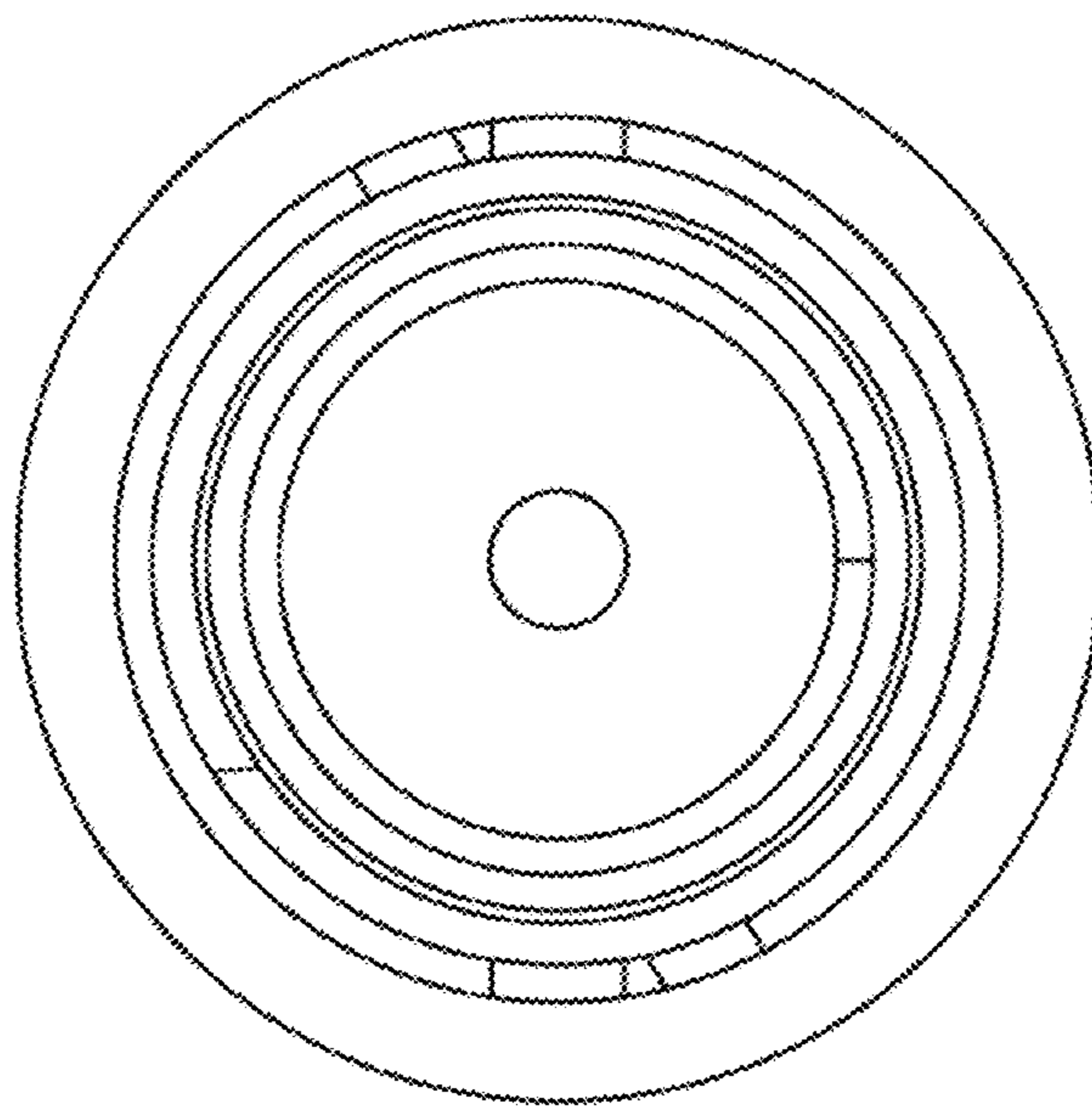


FIG. 5

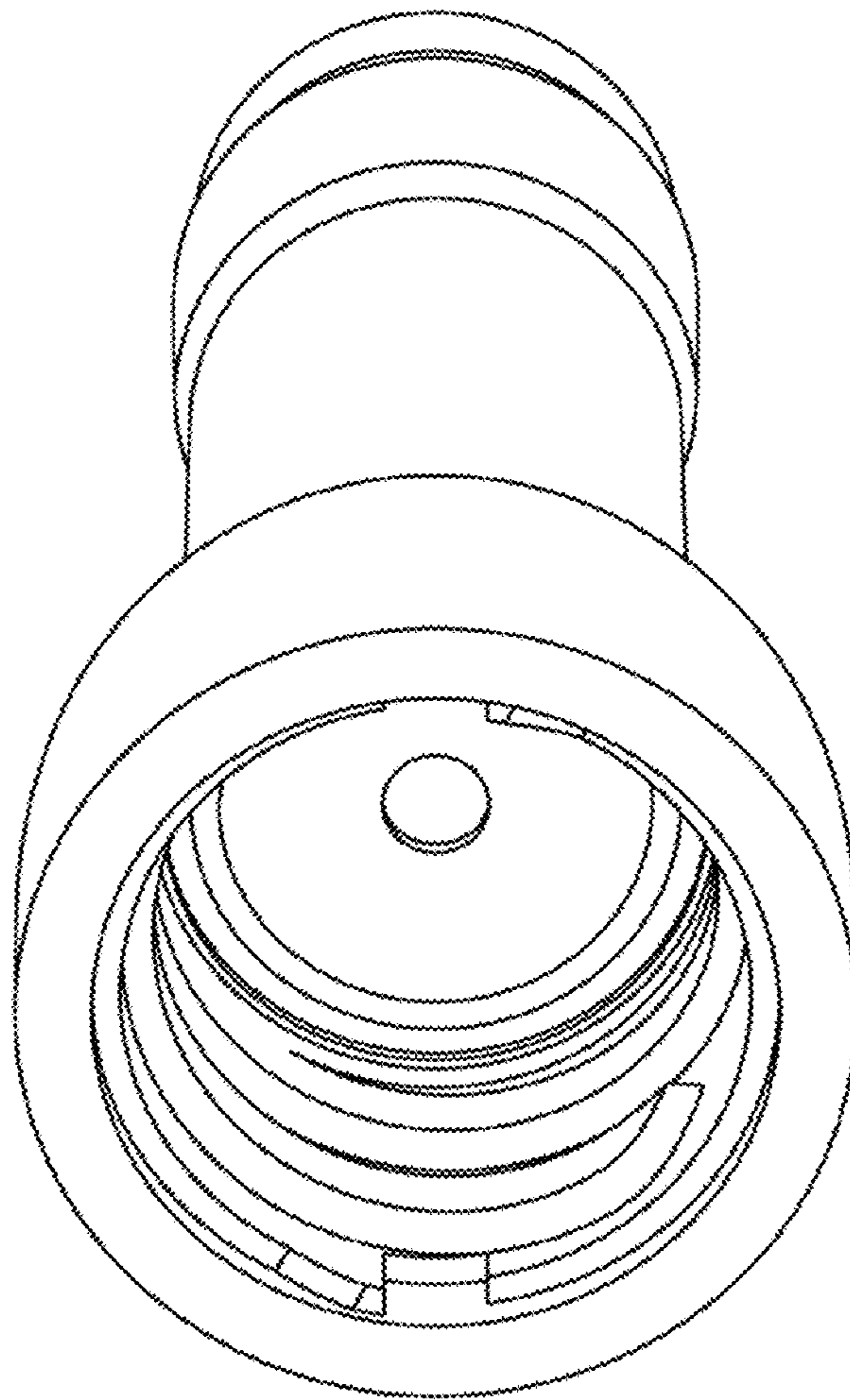


FIG. 6

