



US00D830825S

(12) **United States Design Patent** (10) **Patent No.:** **US D830,825 S**
McCumber et al. (45) **Date of Patent:** **** Oct. 16, 2018**

- (54) **CONTAINER LID**
- (71) Applicants: **Donald E. McCumber**, Madison, WI (US); **Michael T. Robl**, Madison, WI (US)
- (72) Inventors: **Donald E. McCumber**, Madison, WI (US); **Michael T. Robl**, Madison, WI (US)
- (73) Assignee: **PLACON CORPORATION**, Madison, WI (US)

- 5,419,451 A 5/1995 Bitel, Jr.
 - D360,336 S 7/1995 Bitel, Jr.
 - D398,812 S * 9/1998 Laib D7/391
 - D408,733 S * 4/1999 McCann D9/423
 - D443,184 S * 6/2001 Maxwell D7/629
 - 6,371,364 B1 4/2002 Maillot et al.
 - D468,154 S * 1/2003 Klock D7/392.1
 - 7,017,775 B2 3/2006 Zettle et al.
 - 7,032,773 B2 4/2006 Dees et al.
 - D541,598 S * 5/2007 Kim D7/629
 - D615,349 S * 5/2010 Furlong D7/392.1
- (Continued)

- (**) Term: **15 Years**
- (21) Appl. No.: **29/589,764**
- (22) Filed: **Jan. 4, 2017**
- (51) **LOC (11) Cl.** **09-07**
- (52) **U.S. Cl.**
USPC **D9/435; D9/443**
- (58) **Field of Classification Search**
USPC D7/391, 392, 392.1, 396.1, 213, 387, D7/396.3, 541, 546, 549, 554.2, 554.3, D7/601, 602, 605, 701, 703, 705; D9/434-436, 438, 443, 447, 455-457, D9/499, 414, 418, 420, 423, 424, 426, D9/428, 430, 432, 440, 444, 446, 449, D9/453, 703, 715-718, 721; D3/202, D3/212, 294, 295, 318
CPC A47J 36/06; B65D 21/02; B65D 81/3453
See application file for complete search history.

- (56) **References Cited**
U.S. PATENT DOCUMENTS
2,695,115 A 4/1953 Roop
3,117,692 A 1/1964 Carpenter et al.
4,286,713 A 9/1981 Marchais
D287,803 S * 1/1987 Daenen D7/392.1
D289,719 S * 5/1987 Daenen D7/392.1
4,832,200 A 5/1989 Deaton et al.

OTHER PUBLICATIONS

TradeKorea.com. Disposable food container, take out, salad. 2018 [earliest online date], [site visited Feb. 13, 2018]. Available from Internet, <URL:http://www.tradekorea.com/product/detail/P355704/Disposable-food-container,-take out-,-salad.html>. (Year: 2018).*

(Continued)

Primary Examiner — Eric L Goodman
Assistant Examiner — Darcey E Heflin
(74) *Attorney, Agent, or Firm* — Stiennon & Stiennon

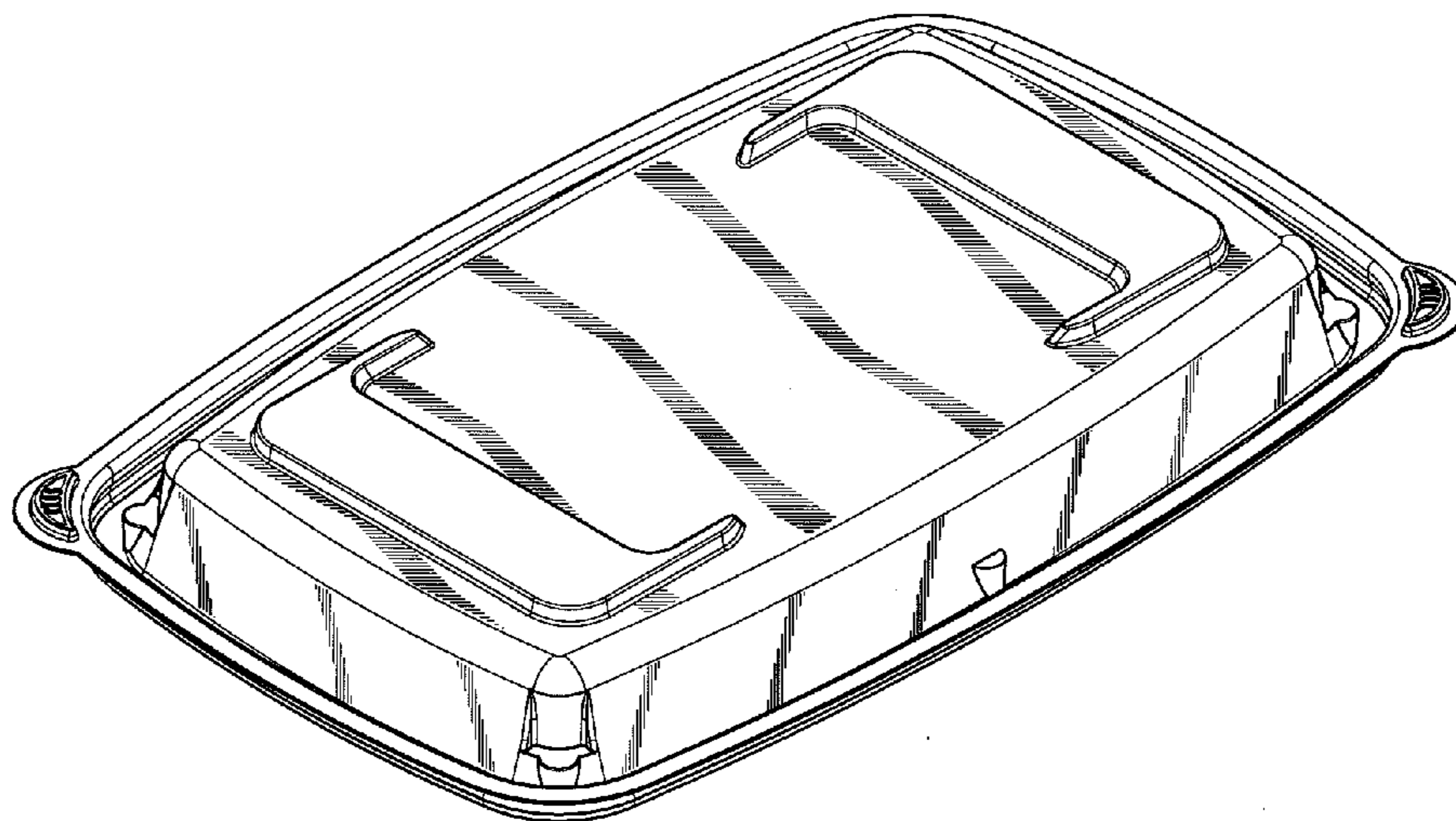
(57) **CLAIM**

The ornamental design for a container lid, as shown and described.

DESCRIPTION

FIG. 1 is an isometric view of the container lid of this invention;
FIG. 2 is a top plan view thereof;
FIG. 3 is a front elevation thereof, the rear elevation is the same;
FIG. 4 is a bottom plan view thereof, the broken lines in the figure illustrate the portions that form no part of the claimed design; and,
FIG. 5 is a side elevation thereof, the opposite side elevation is the same.

1 Claim, 2 Drawing Sheets



(56)

References Cited

U.S. PATENT DOCUMENTS

7,798,353 B2 9/2010 Blythe et al.
D677,150 S 3/2013 Barbier
D685,636 S * 7/2013 Golota D9/435
D689,363 S * 9/2013 Sundry D9/429
8,523,006 B2 9/2013 Barbier
8,851,287 B2 10/2014 Becklin
D735,524 S * 8/2015 Holding D7/392.1
D769,113 S * 10/2016 Chen D9/425
D796,948 S * 9/2017 Lam D9/420
D809,335 S * 2/2018 Bouveret D7/392.1
2008/0116098 A1 5/2008 Marooflan et al.
2012/0006837 A1 1/2012 Becklin
2012/0168449 A1 7/2012 Barbier

OTHER PUBLICATIONS

Made-in-China.com. Water-Seal Disposable PP Plastic Food Container with Lid. 2018 [earliest online date], [site visited Feb. 13, 2018]. Available from Internet, <URL:<https://skplastic.en.made-in-china.com/product/ljoJAnLyHYhB/China-Water-Seal-Disposable-PP-Plastic-Food-Container-with-Lid-DC-878-.html>>. (Year: 2018).*

* cited by examiner

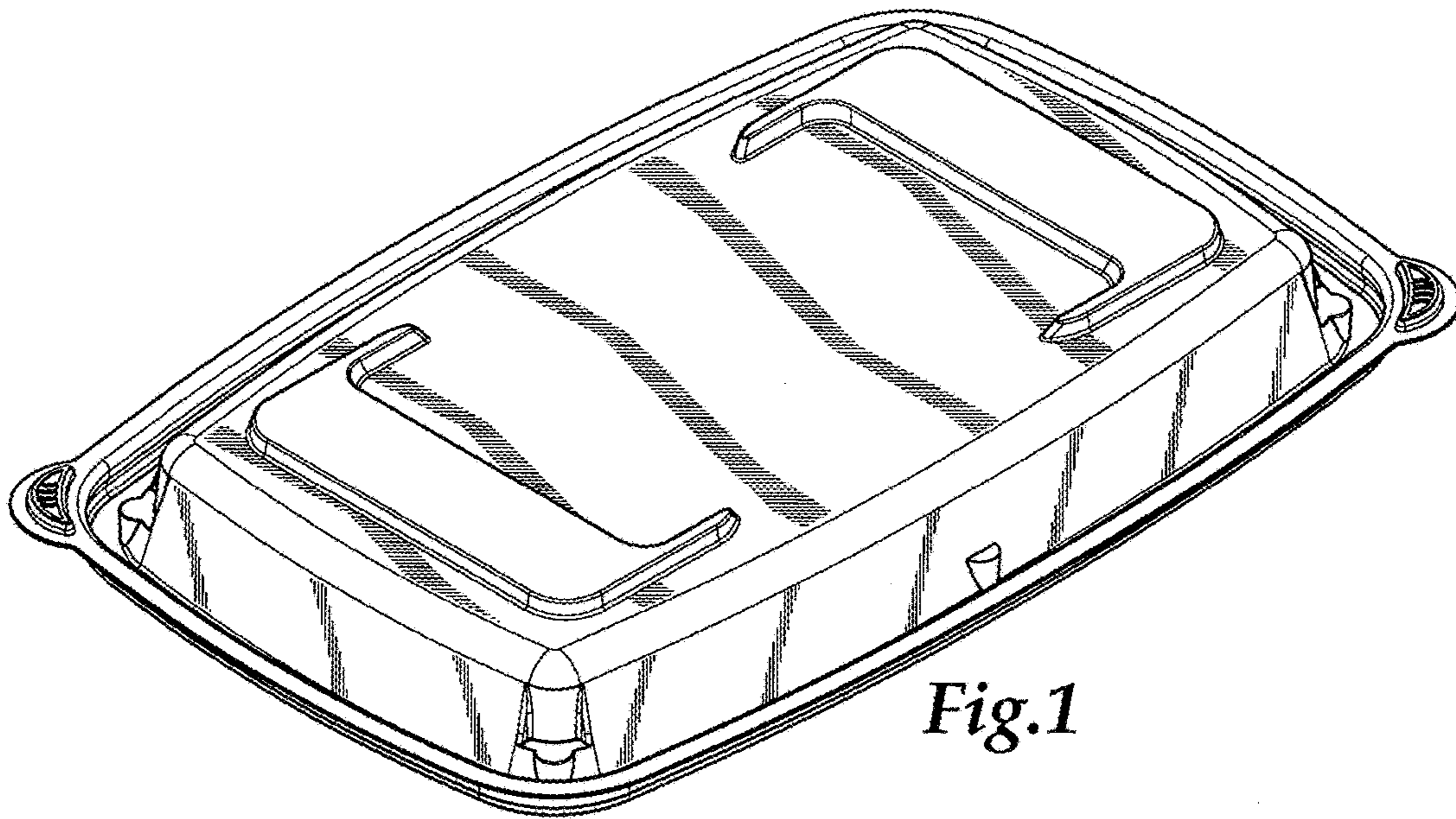


Fig.1

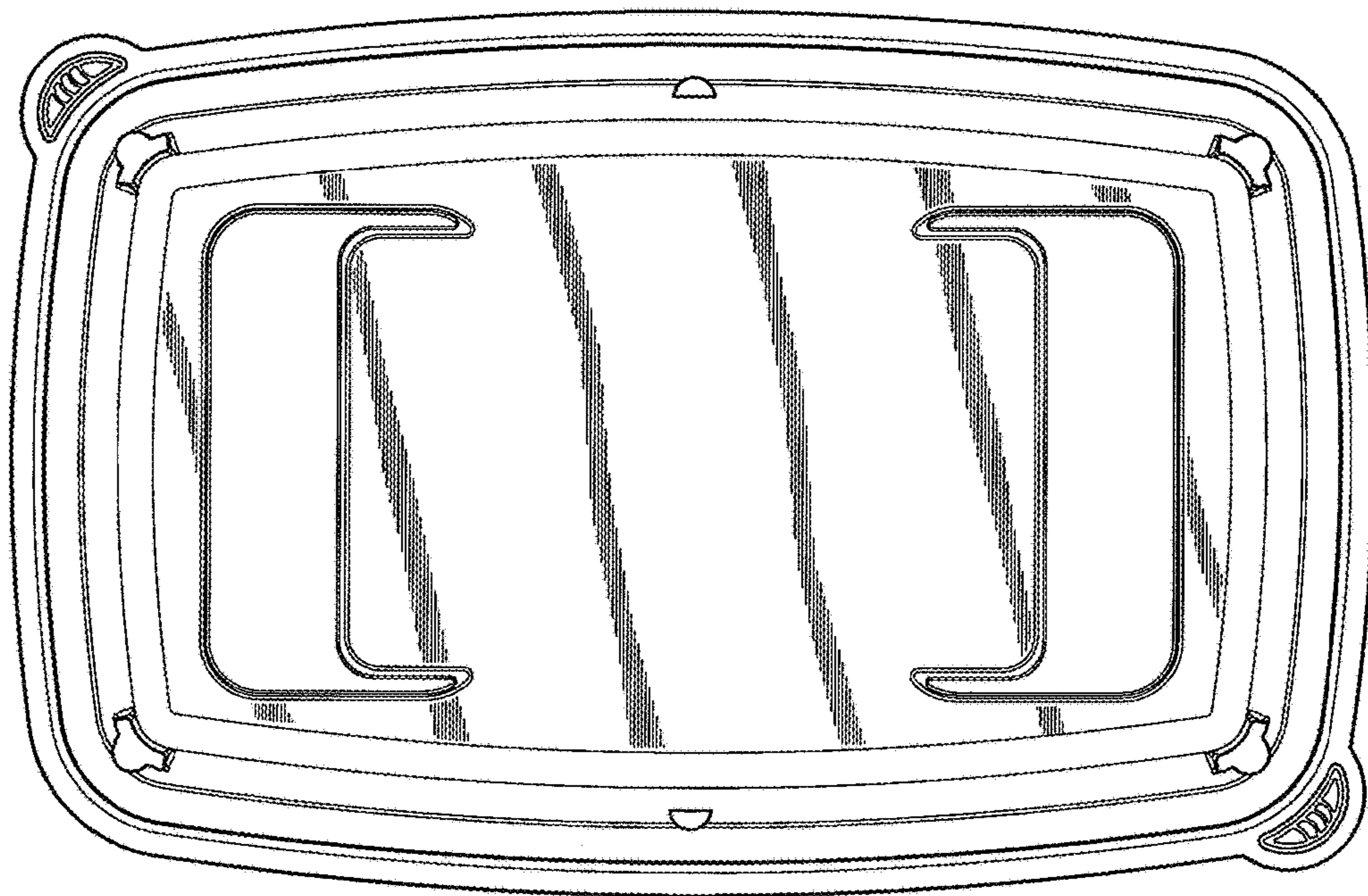


Fig.2

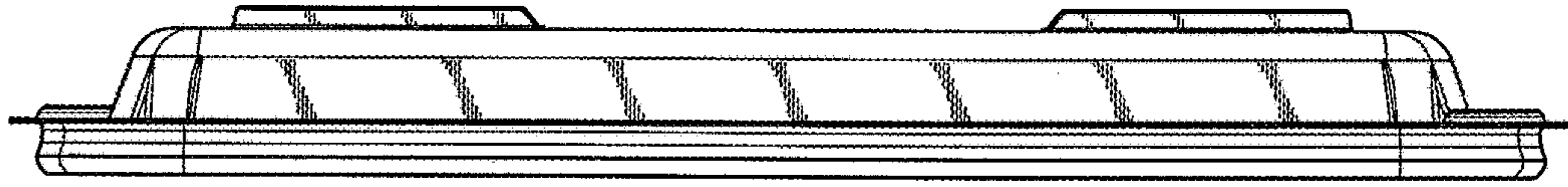


Fig.3

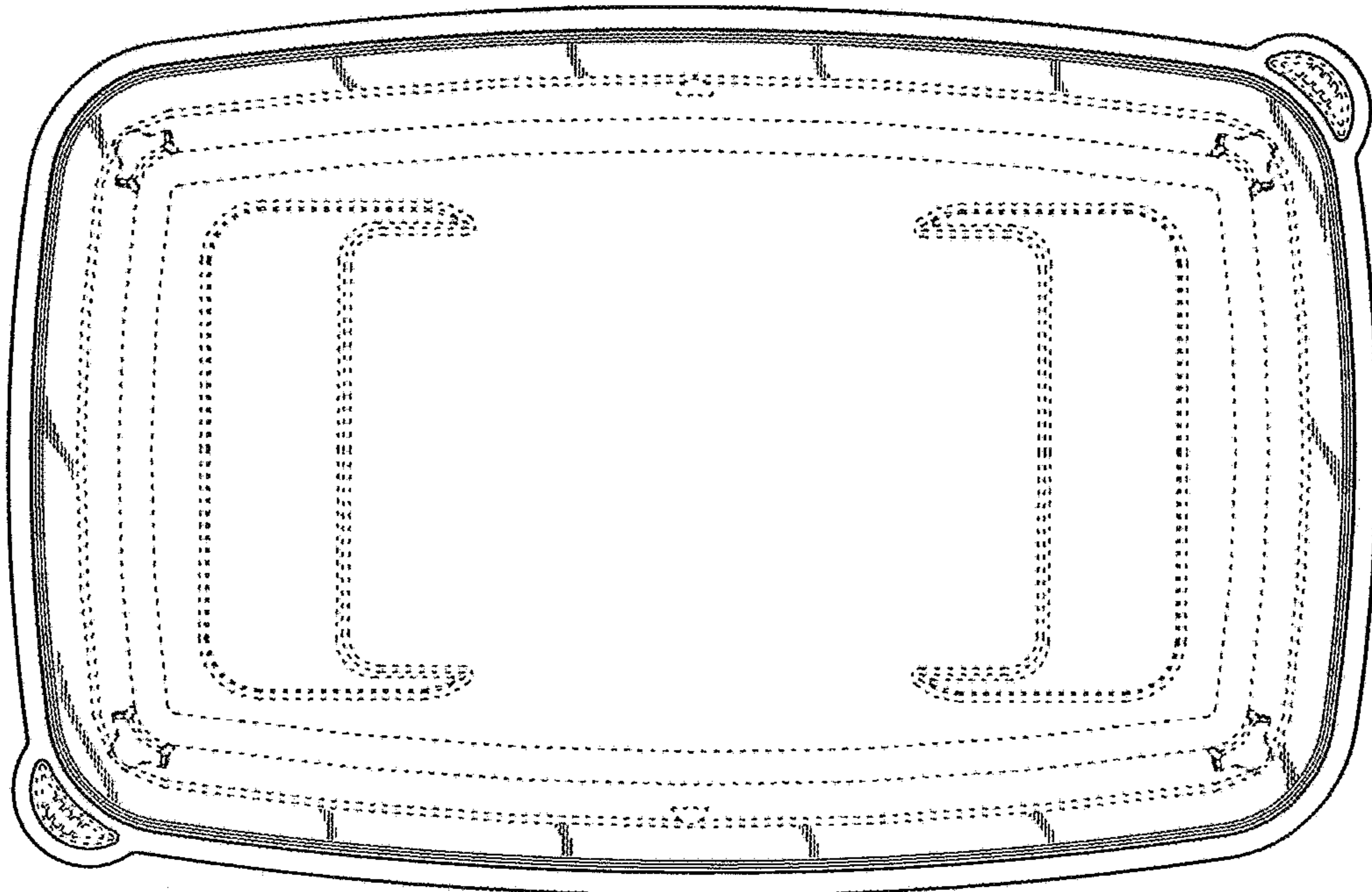


Fig.4

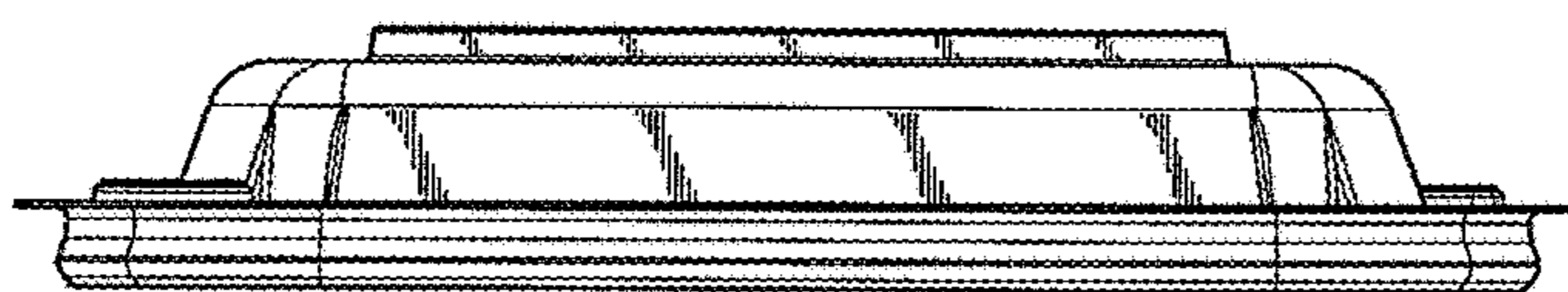


Fig.5