



US00D830824S

(12) **United States Design Patent** (10) **Patent No.:** **US D830,824 S**
Safdie et al. (45) **Date of Patent:** **** Oct. 16, 2018**

(54) **PACKAGE FOR BEAUTY ACCESSORIES**

(71) Applicant: **Best Accessory Group LLC**, New York, NY (US)

(72) Inventors: **Abraham Safdie**, Brooklyn, NY (US); **Jack Saban**, Brooklyn, NY (US)

(73) Assignee: **Best Accessory Group LLC**, New York, NY (US)

(**) Term: **15 Years**

(21) Appl. No.: **29/602,458**

(22) Filed: **May 1, 2017**

(51) **LOC (11) Cl.** **09-03**

(52) **U.S. Cl.**
USPC **D9/432**

(58) **Field of Classification Search**

USPC D9/414-434, 442-445, 456, 457, 542, D9/563, 600, 614-624, 648, 655, 657, D9/658, 661, 685, 696, 697-699, 707, D9/711, 754, 759, 772-776; D7/601, D7/602, 709; D3/273, 276, 304, 309-313
CPC B65D 5/00; B65D 5/001; B65D 5/0015; B65D 5/0227-5/0254; B65D 5/18; B65D 5/38; B65D 5/40; B65D 5/2033; B65D 5/48024; B65D 5/6605; B65D 1/22; B65D 1/24; B65D 1/34; B65B 5/06

See application file for complete search history.

(56) **References Cited**

U.S. PATENT DOCUMENTS

D302,923 S *	8/1989	Schmidt	D7/502
D358,328 S *	5/1995	Huerto	D9/435
D399,134 S *	10/1998	Lidle, Jr.	D9/757
D424,941 S *	5/2000	Boutour	D9/456
D464,260 S *	10/2002	Dijkstra	D9/418
D581,807 S *	12/2008	Abbas	D9/707
D589,787 S *	4/2009	Ruybal	D99/34
D621,703 S *	8/2010	Hageman	D9/432

(Continued)

OTHER PUBLICATIONS

Gift Box—Teapot Spoons. Online, published date unknown. Retrieved on Apr. 17, 2018 from URL: <http://www.ladyelegantstea.com/accessories1.html>.*

(Continued)

Primary Examiner — Karen S Acker

Assistant Examiner — Omeed Agilee

(74) *Attorney, Agent, or Firm* — Dorton & Willis, LLP

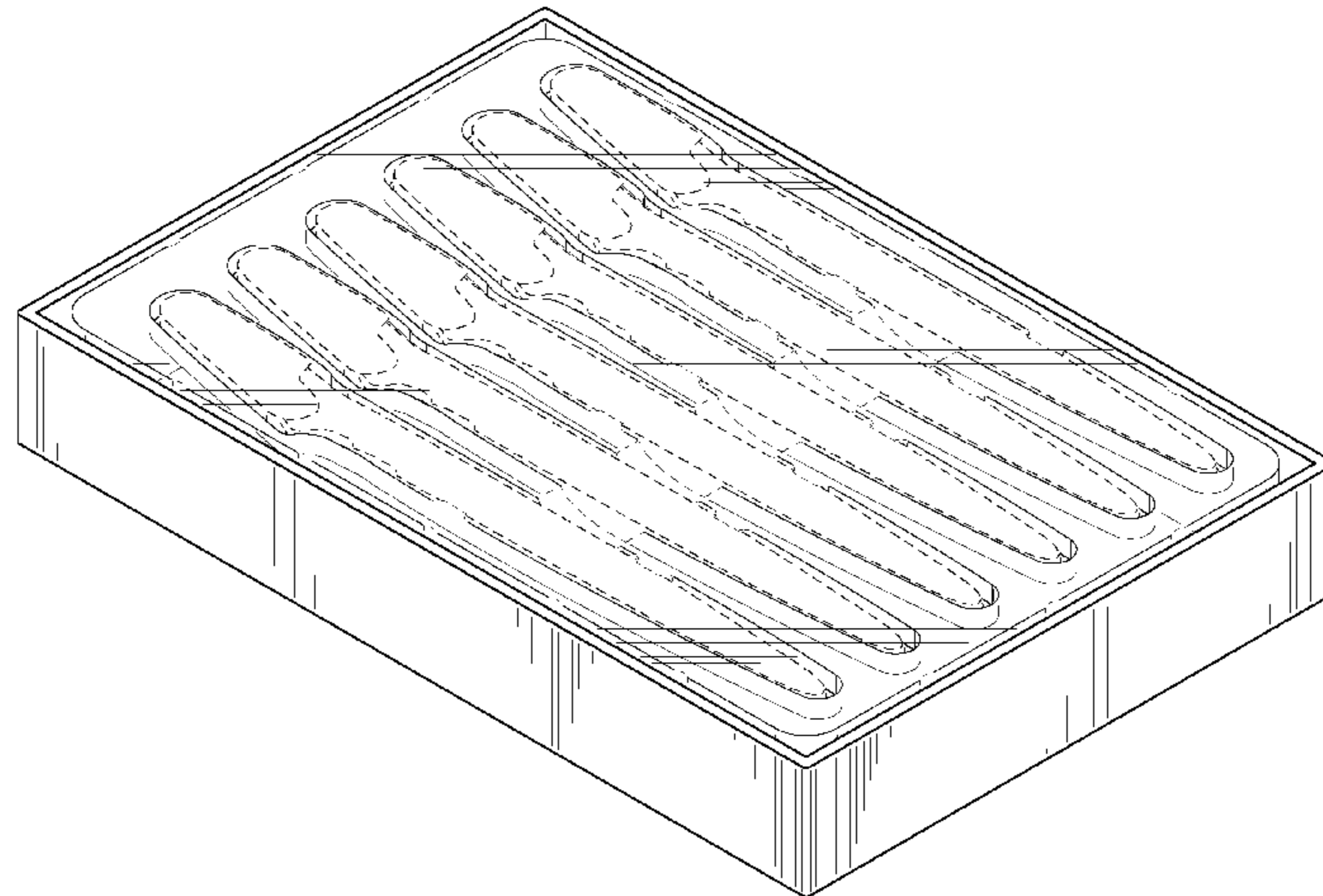
(57) **CLAIM**

The ornamental design for a package for beauty accessories, as shown and described.

DESCRIPTION

FIG. 1 is a top perspective view of our new package for beauty accessories design; FIG. 2 is a top view thereof; FIG. 3 is a bottom view thereof; FIG. 4 is a right-side elevation view thereof, the left-side elevation view being identical; FIG. 5 is a front elevation view thereof, the rear elevation view being identical; FIG. 6 is an exploded perspective view thereof, showing the top component separated from the rest of the article; FIG. 7 is an exploded perspective view thereof, showing the top component and unclaimed utensils separated from the rest of the article; and, FIG. 8 is an exploded perspective view thereof, showing the package for beauty accessories unassembled. The broken lines showing utensils depict environmental subject matter that forms no part of the claimed design. The broken lines illustrating curved areas on the top surface, channels on the sides, and straight sections of the top edges of the middle component of the package for beauty accessories depict portions of the article that form no part of the claimed design.

1 Claim, 7 Drawing Sheets



(56)

References Cited

U.S. PATENT DOCUMENTS

D662,835 S * 7/2012 Akana D9/432
D667,278 S * 9/2012 Murphy A47B 88/90
206/561
D734,075 S * 7/2015 Tapper D6/672
D734,076 S * 7/2015 Tapper D6/672
D777,807 S * 1/2017 Kim D15/89
D810,679 S * 2/2018 Patton D13/108
D814,929 S * 4/2018 Bergeron D9/456

OTHER PUBLICATIONS

Sugarfina Faves 8pc Candy Bento Box. Online, published date unknown. Retrieved on Apr. 25, 2018 from URL: <https://www.sugarfina.com/sugarfina-faves-bento-box>.*

* cited by examiner

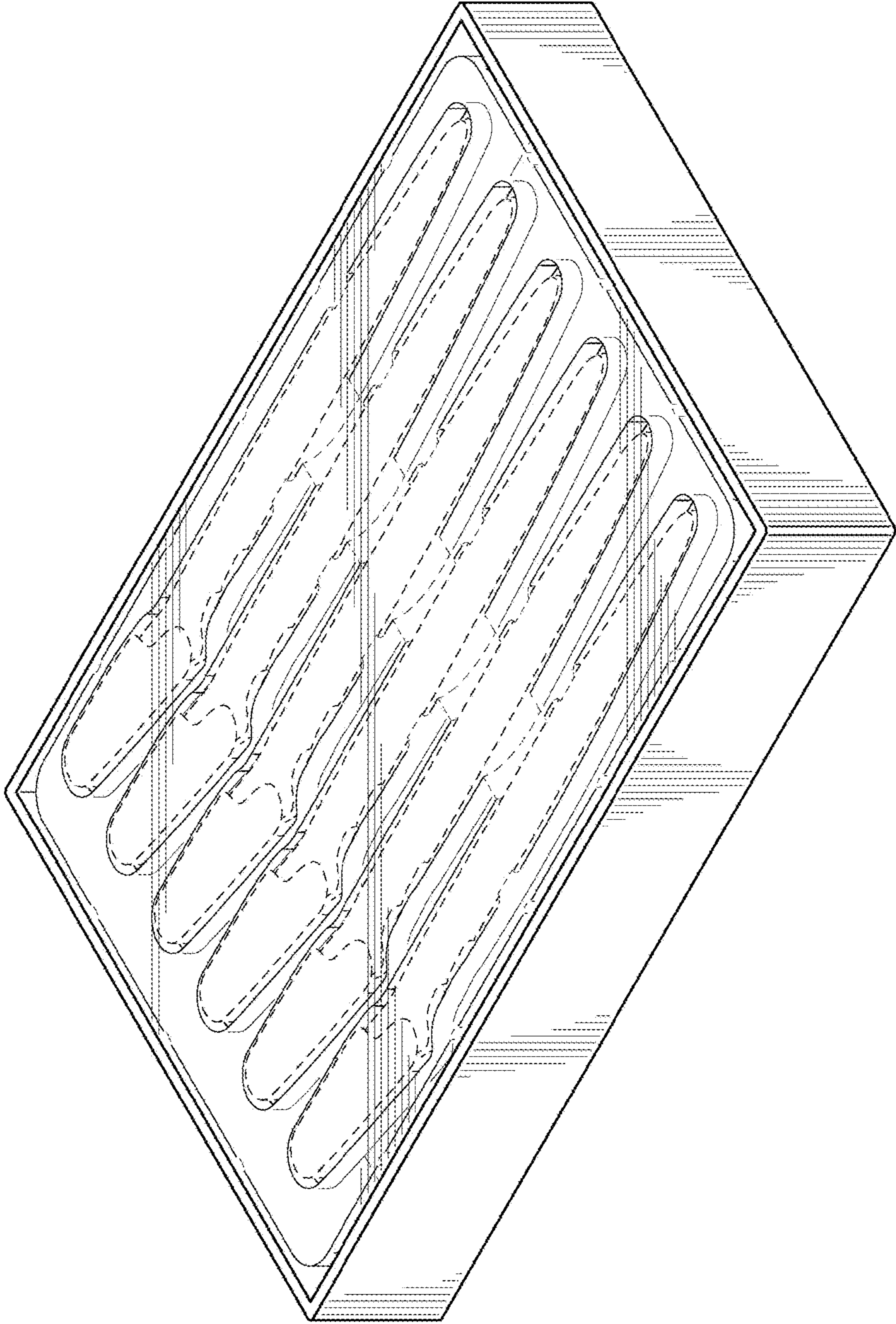


FIG. 1

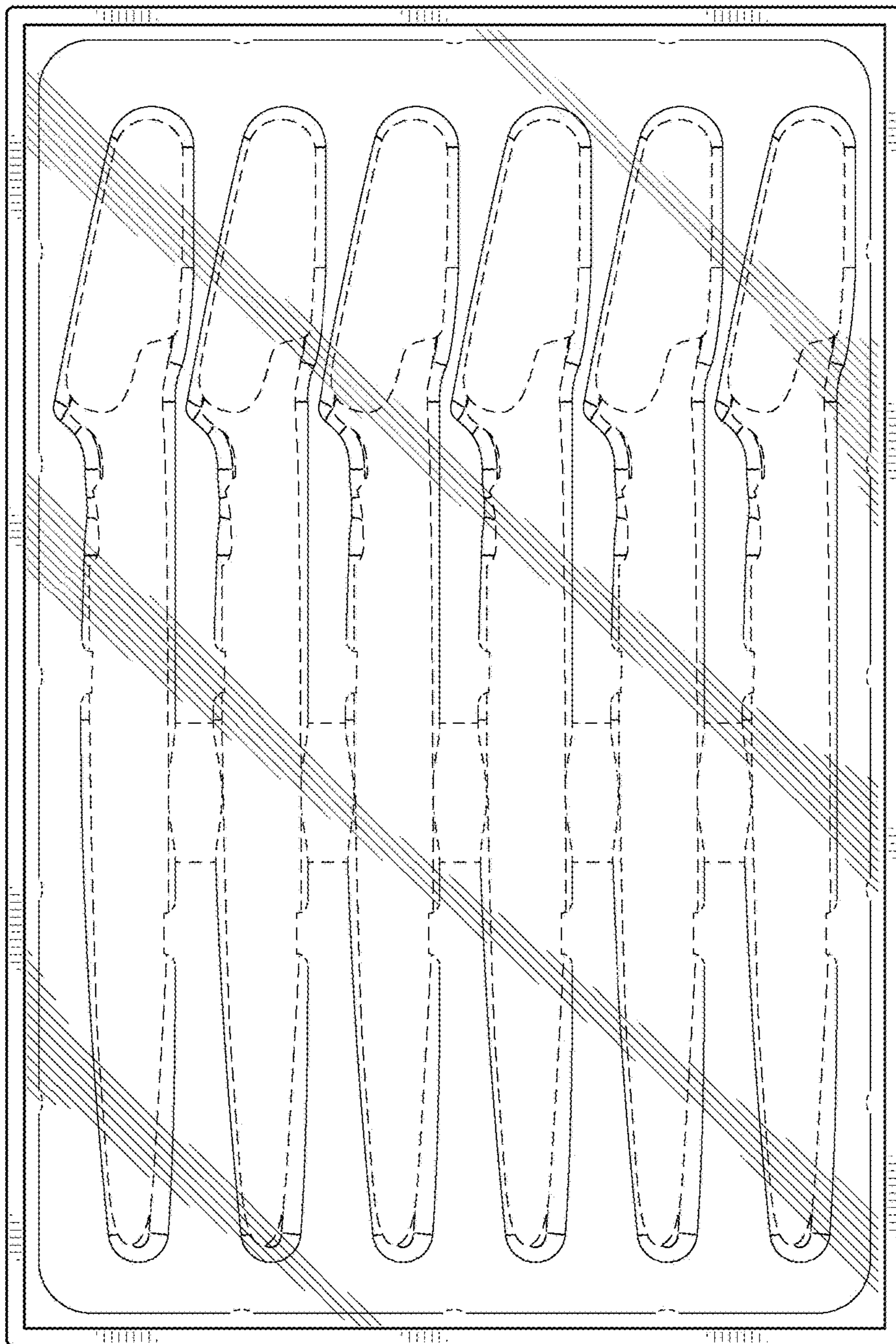


FIG. 2

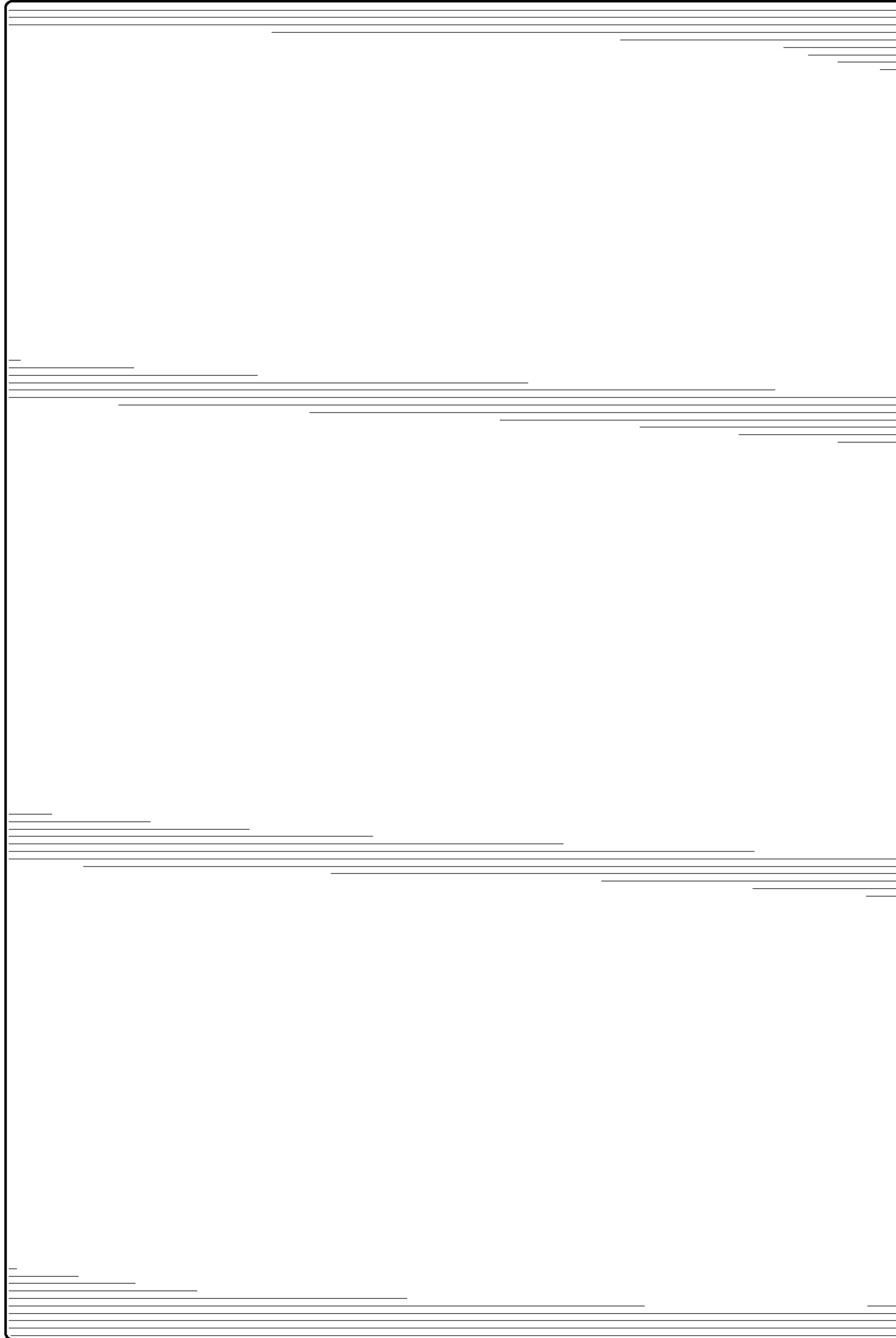


FIG. 3



FIG. 4

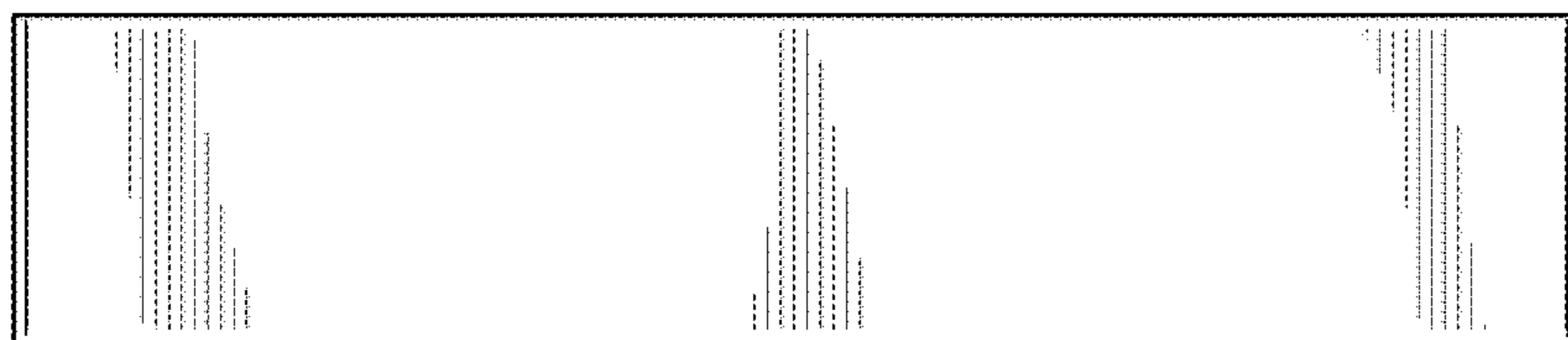


FIG. 5

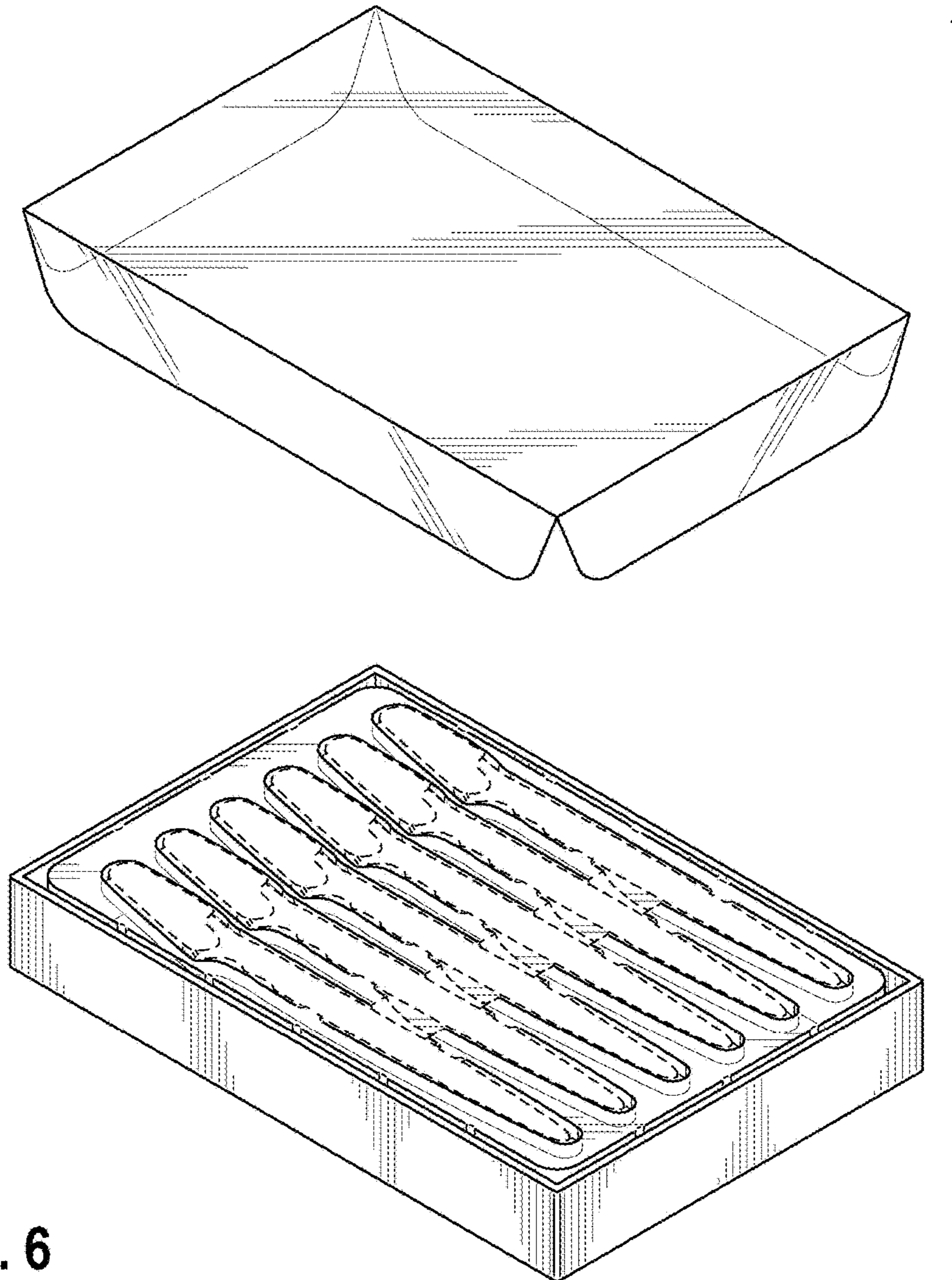


FIG. 6

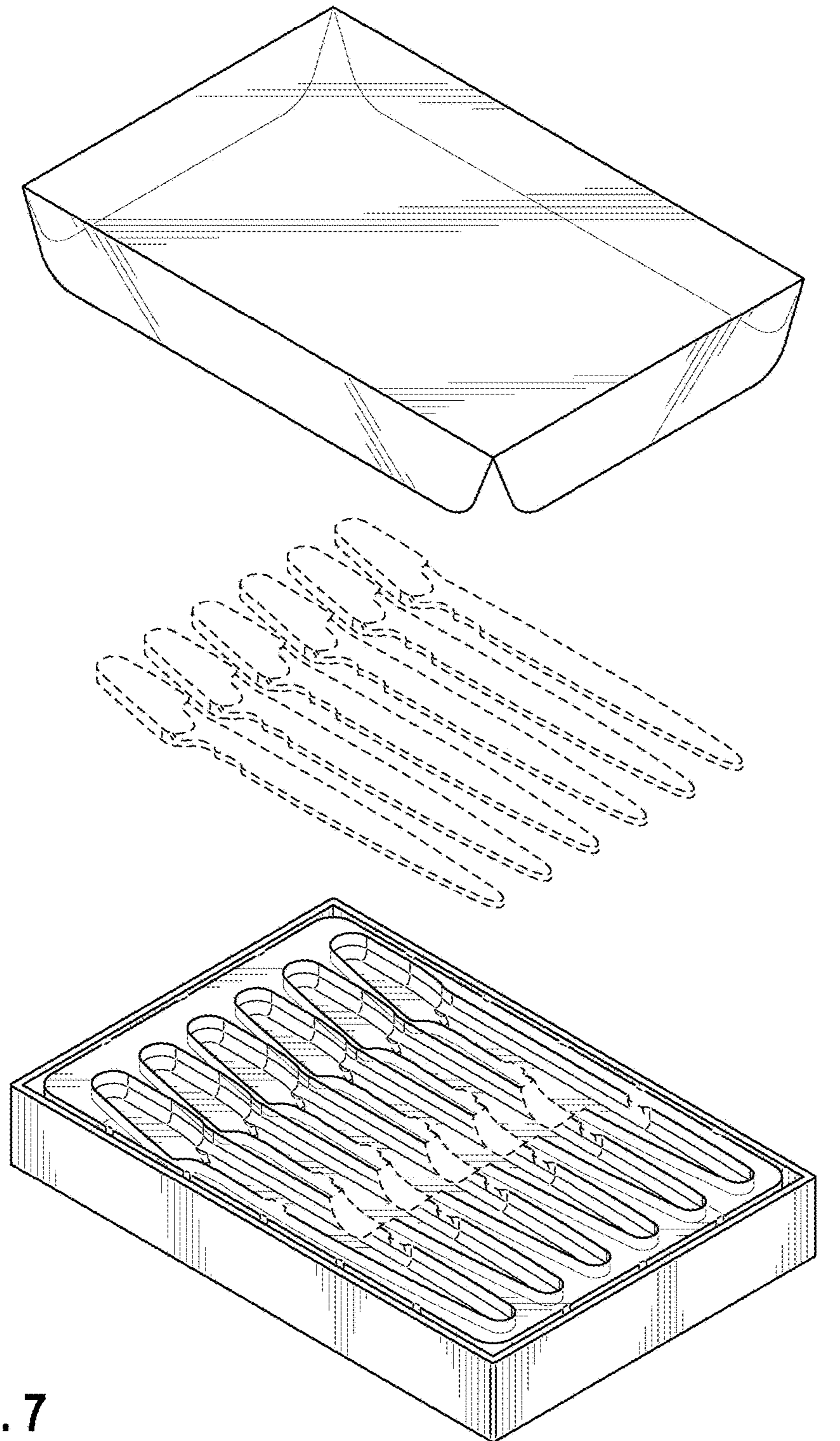


FIG. 7

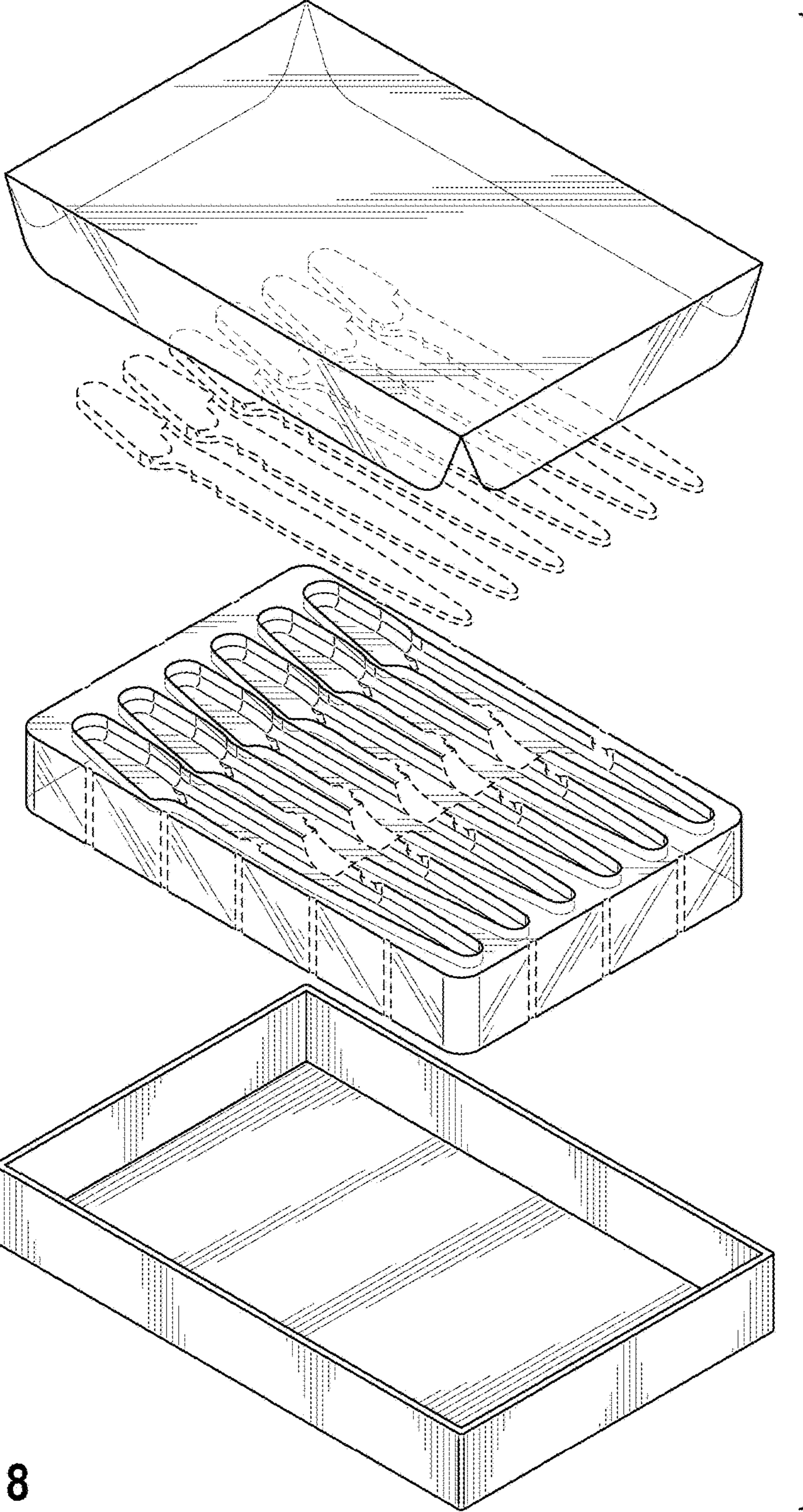


FIG. 8