



US00D830823S

(12) **United States Design Patent** (10) **Patent No.:** **US D830,823 S**
Dios (45) **Date of Patent:** **** Oct. 16, 2018**

(54) **CONTAINER**

(71) Applicant: **HUMEX, S.A.**, La Canonja (ES)
(72) Inventor: **Eva Schmidt Dios**, La Canonja (ES)
(73) Assignee: **HUMEX, S.A.**, La Canonja (Tarragona) (ES)
(**) Term: **15 Years**
(21) Appl. No.: **35/501,244**
(22) Filed: **Jan. 22, 2016**

(80) **Hague Agreement Data**

Int. Filing Date: **Jan. 22, 2016**
Int. Reg. No.: **DM/090951**
Int. Reg. Date: **Jan. 22, 2016**
Int. Reg. Pub. Date: **Jul. 22, 2016**

(30) **Foreign Application Priority Data**

Jul. 24, 2015 (EM) 002742320

(51) **LOC (11) Cl.** **09-01**

(52) **U.S. Cl.**
USPC **D9/426; D9/432**

(58) **Field of Classification Search**

USPC D9/414, 420, 423-426, 428-430, 432, D9/516, 529, 534; 229/87.01, 229/87.08-87.09; 426/118, 128; D7/601, D7/602, 619.1, 622, 630
CPC ... A23B 7/148; A23L 3/2418; A23V 2002/00; B65D 65/04; B65D 65/14; B65D 65/22; B65D 75/08; B65D 75/322; B65D 77/08; B65D 77/225; B65D 81/3461; B65D 85/36; B65D 85/60; B65D 2101/0015; B65D 2205/00; B65D 2543/00296; B65D 2543/00694; B65D 2543/00805; B65D 2571/0066; B65D 2585/36; B65D 85/2101; B65D 85/0015; A47G 1/001

See application file for complete search history.

(56) **References Cited**

U.S. PATENT DOCUMENTS

D410,840 S * 6/1999 Wyslowsky D9/418
D488,718 S * 4/2004 Passerini D9/425
D531,894 S * 11/2006 Ramirez D9/423
D573,015 S * 7/2008 Chen D9/425
D579,326 S * 10/2008 Chen D9/425
D633,332 S * 3/2011 Sarnoff D7/354
D633,333 S * 3/2011 Sarnoff D7/354
D649,050 S * 11/2011 Sarnoff D9/435
D688,363 S * 8/2013 Dios D23/359
D689,995 S * 9/2013 Dios D23/359
D692,748 S * 11/2013 Short D9/420
D753,808 S * 4/2016 Schmidt Dios D23/359
D781,698 S * 3/2017 Koroukian D9/420

* cited by examiner

Primary Examiner — Keli L Hill

(74) *Attorney, Agent, or Firm* — Allen Dyer Doppelt & Gilchrist

(57) **CLAIM**

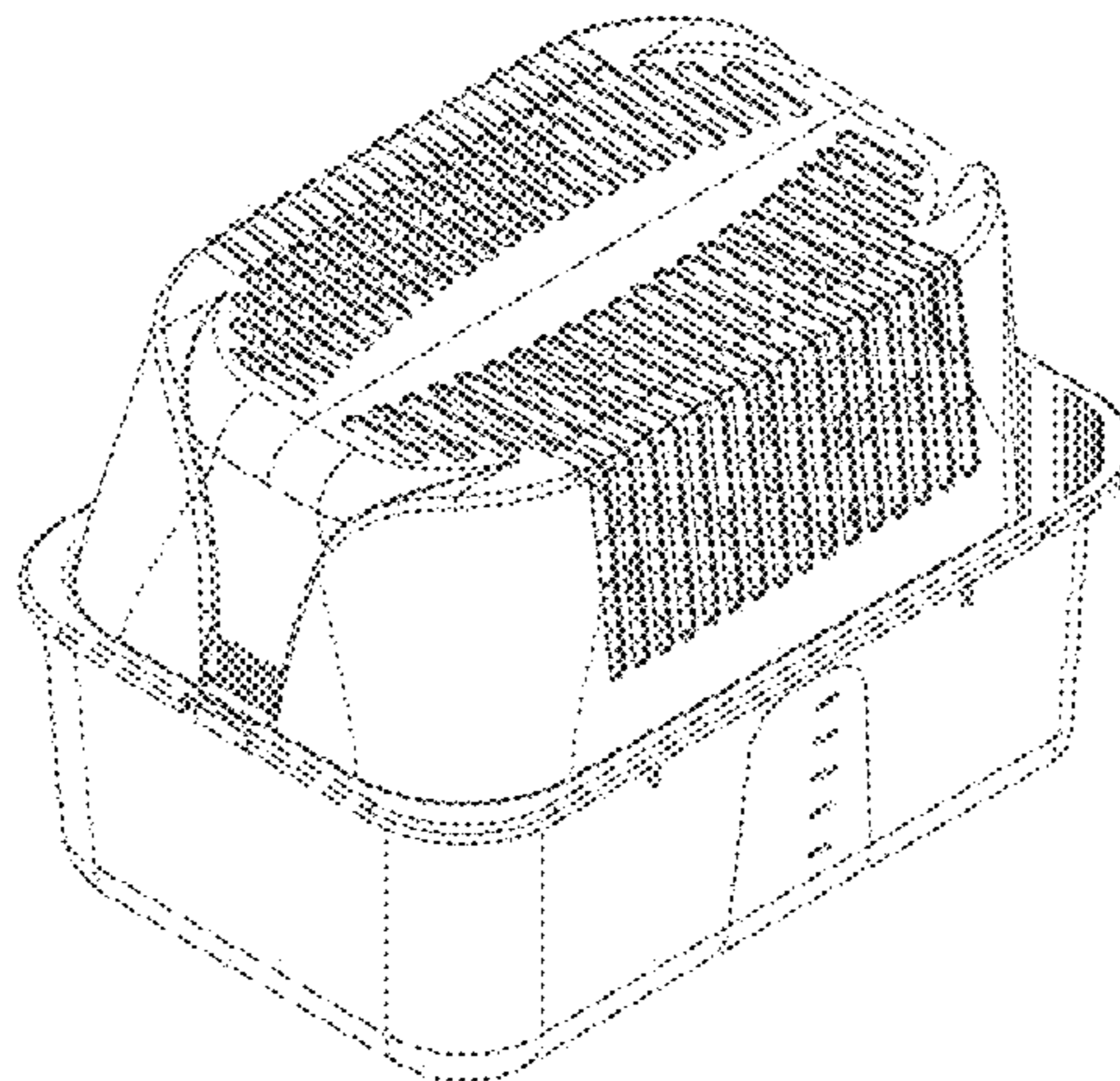
Ornamental design for a container, as shown and described.

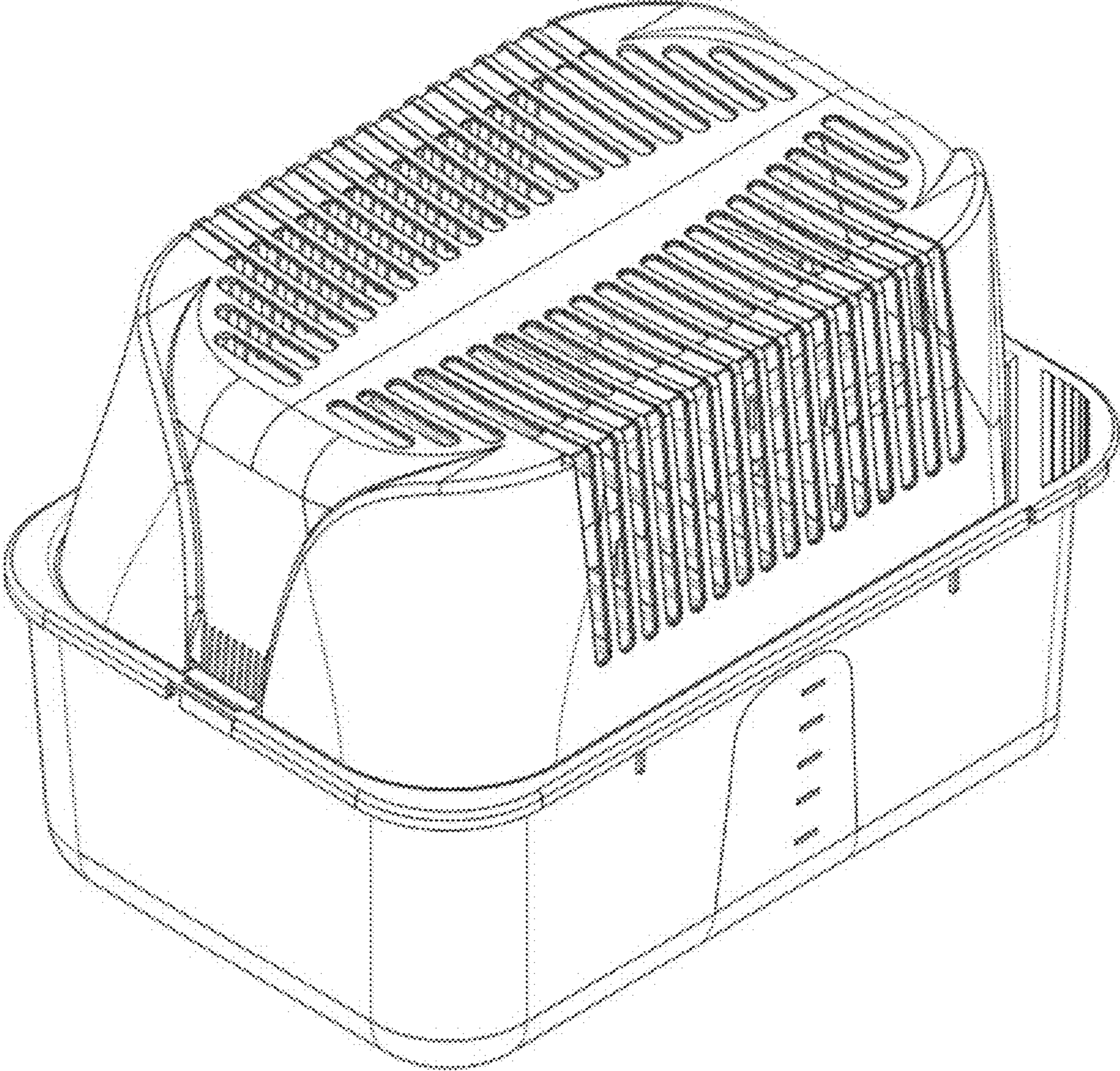
DESCRIPTION

- 1. Container
- 1.1 : Perspective
- 1.2 : Front
- 1.3 : Back
- 1.4 : Right
- 1.5 : Left
- 1.6 : Top
- 1.7 : Bottom

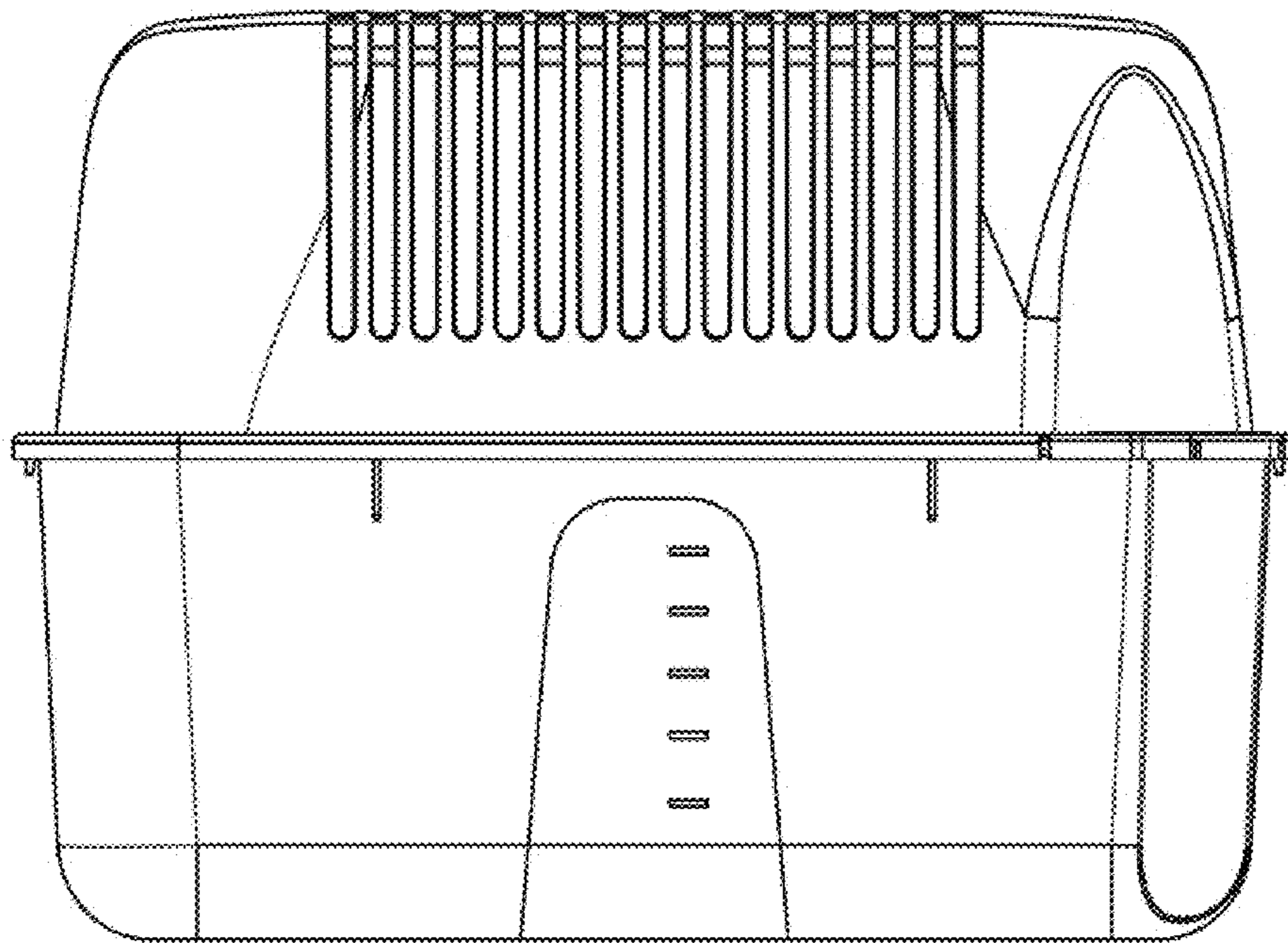
The internal structure visible through the openings in Reproduction 1.1-1.3 and 1.6, and the broken line structure shown in Reproduction 1.7 are included for the purpose of illustrating portions of the container that form no part of the claim.

1 Claim, 7 Drawing Sheets

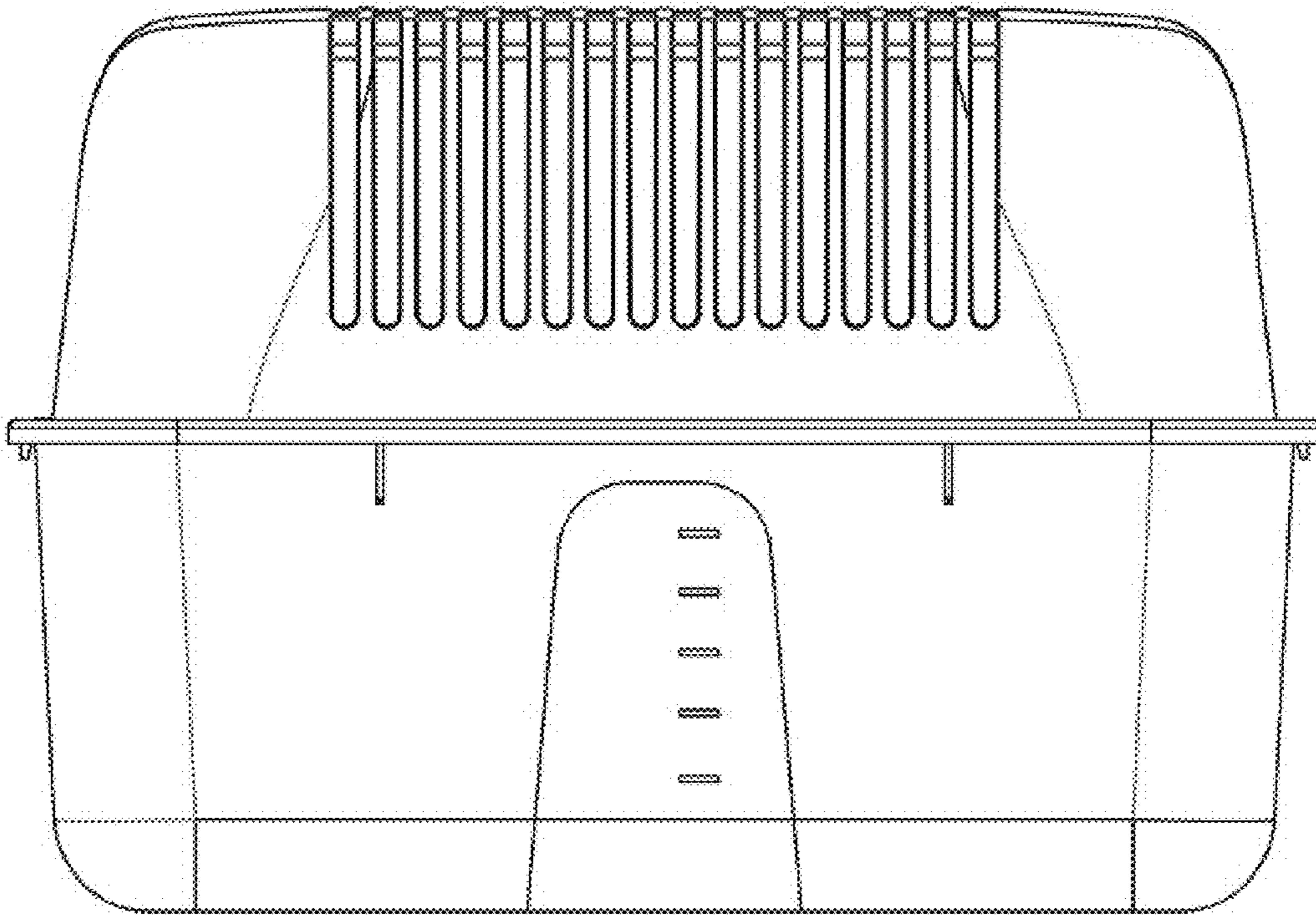




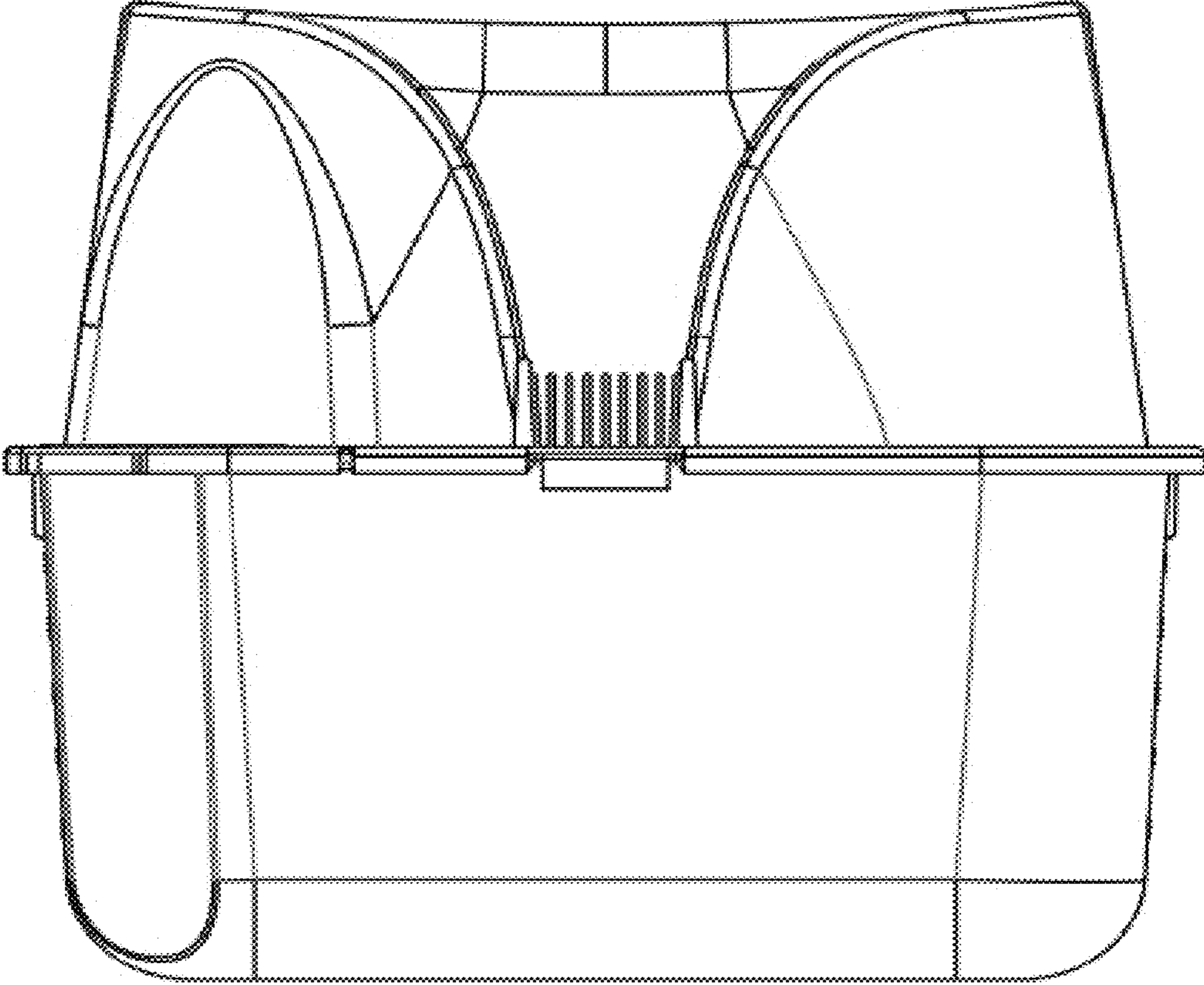
1.1



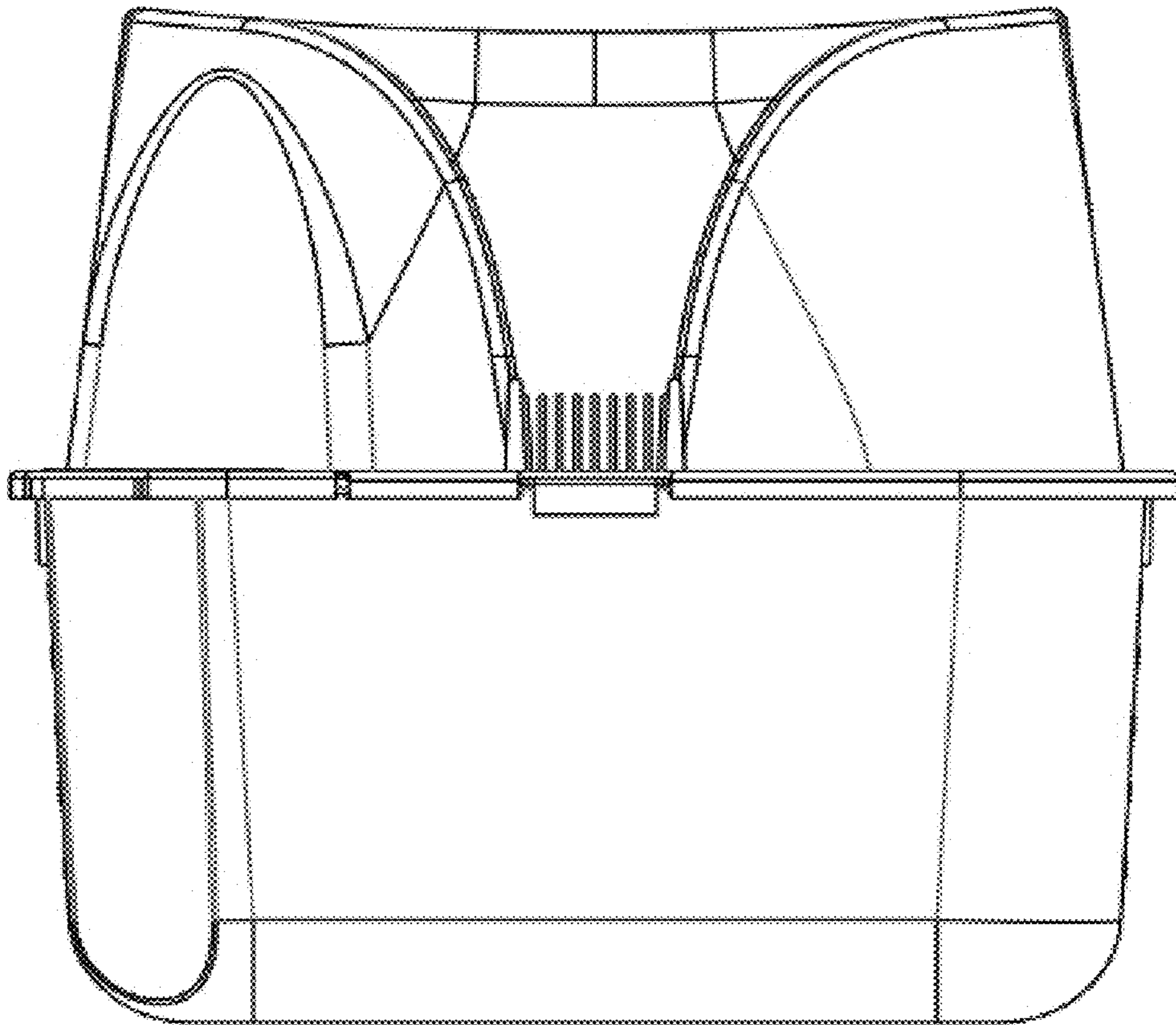
1.2



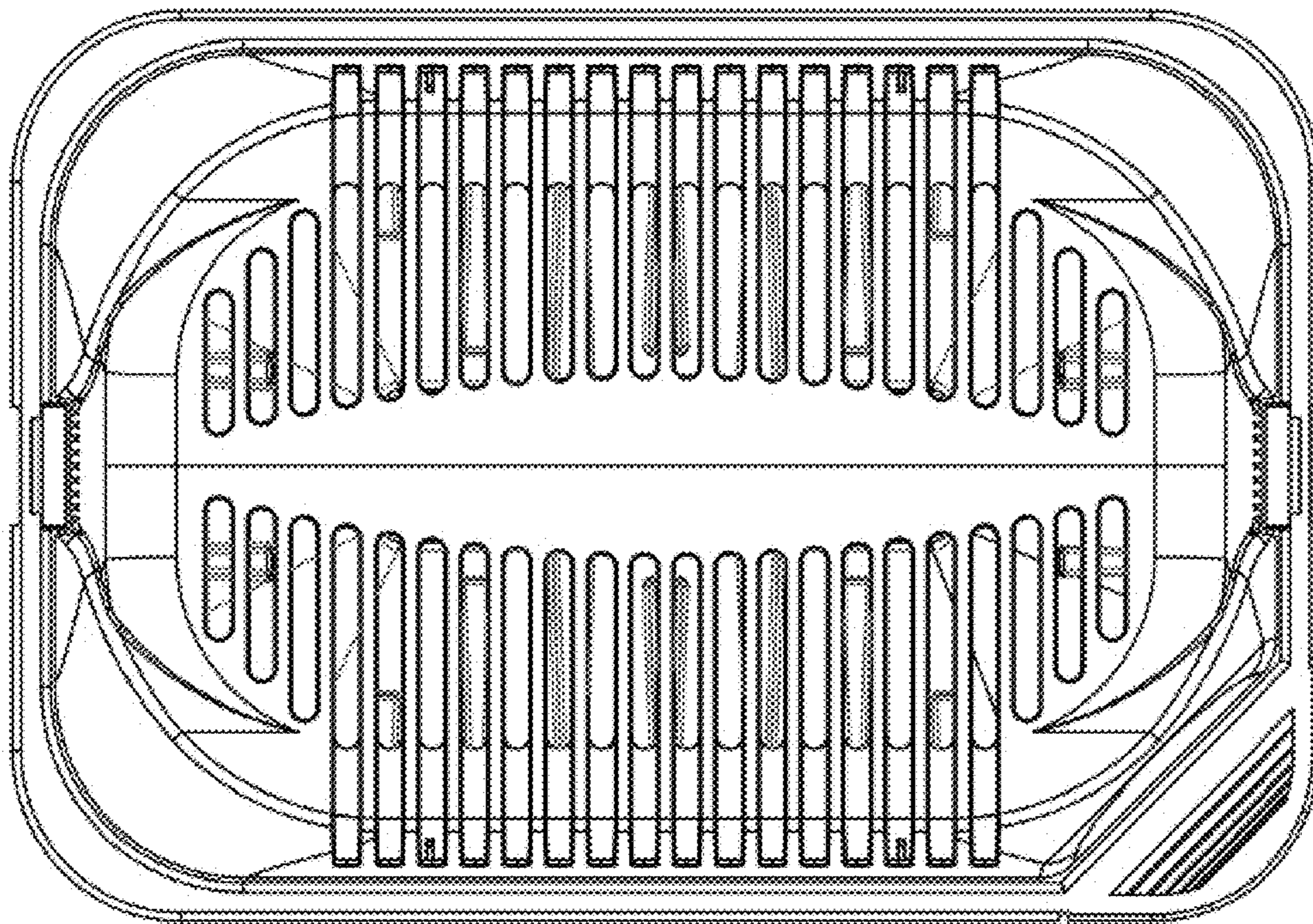
1.3



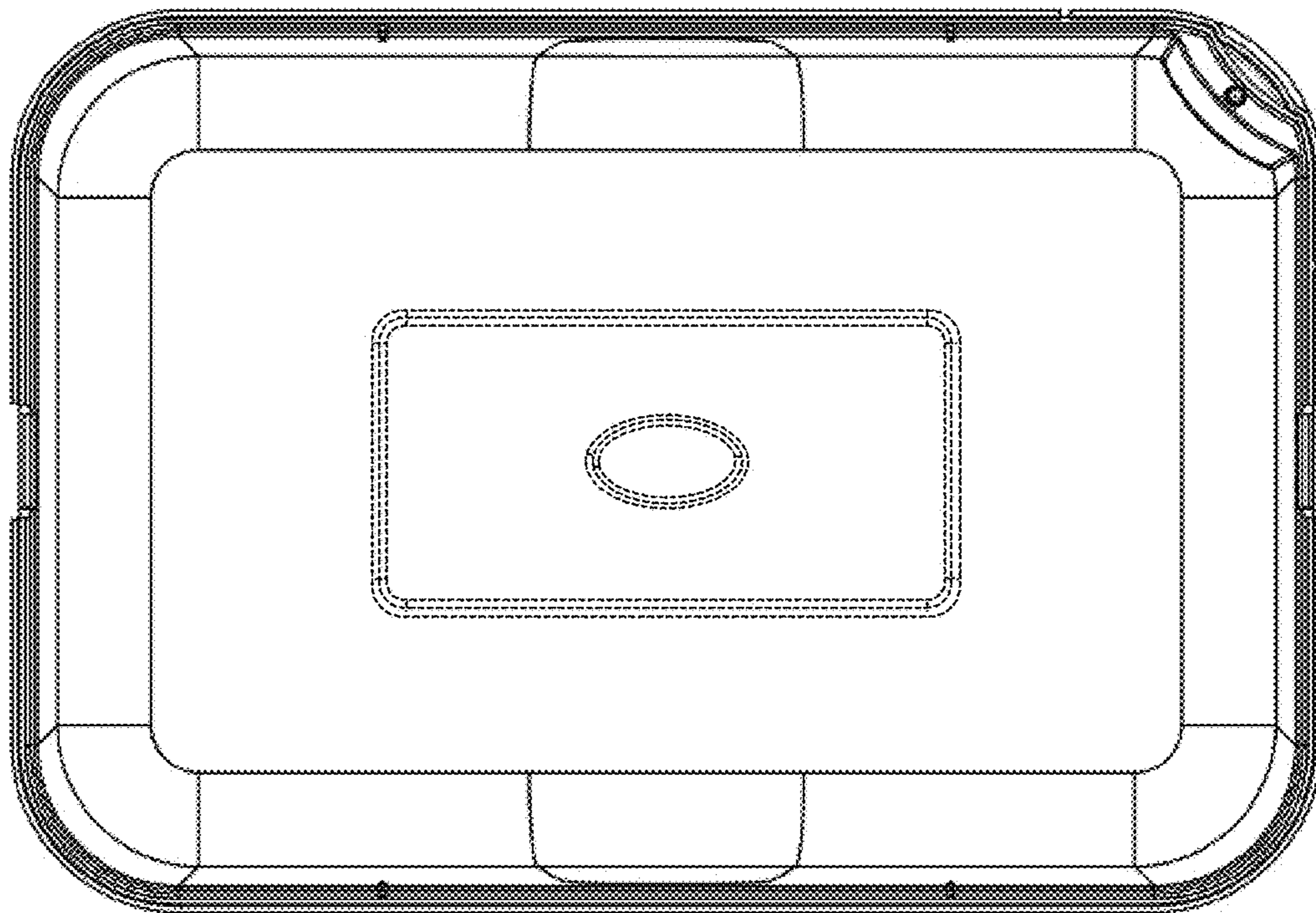
1.4



1.5



1.6



1.7