



US00D830822S

(12) **United States Design Patent** (10) **Patent No.:** **US D830,822 S**
Buck (45) **Date of Patent:** **** Oct. 16, 2018**

(54) **FOOD CONTAINER**

D572,582 S * 7/2008 Lymn D9/426
D681,447 S * 5/2013 Schulter D9/420
D699,568 S * 2/2014 Epstein D9/425

(71) Applicant: **Ronald Mark Buck**, Encinitas, CA
(US)

* cited by examiner

(72) Inventor: **Ronald Mark Buck**, Encinitas, CA
(US)

Primary Examiner — Derrick E Holland

Assistant Examiner — Janice Patyk

(73) Assignee: **SNACKTOPS, INC.**, Carlsbad, CA
(US)

(74) *Attorney, Agent, or Firm* — Manuel de la Cerra

(**) Term: **15 Years**

(57) **CLAIM**

The ornamental design for a food container, as shown and described.

(21) Appl. No.: **29/542,073**

DESCRIPTION

(22) Filed: **Oct. 9, 2015**

FIG. 1 is a top perspective view of a food container, showing my new design.

(51) **LOC (11) Cl.** **09-03**

FIG. 2 is a bottom perspective view thereof.

(52) **U.S. Cl.**

FIG. 3 is a top perspective view thereof, shown in use, in reduced scale.

USPC **D9/425**

(58) **Field of Classification Search**

FIG. 4 is a bottom perspective view thereof, shown in use, in reduced scale.

USPC D7/538–542, 602, 608, 629; D9/414,

D9/420, 424–426, 429, 432, 761;

206/501–509; 220/781, 791, 793,

220/811–813, 835, 839

CPC B65D 1/24; B65D 25/04; B65D 43/03;

B65D 43/16; B65D 43/0212

See application file for complete search history.

FIG. 5 is a top perspective view thereof, shown in use, in detached condition, in reduced scale.

FIG. 6 is a bottom perspective view thereof, shown in use, in detached condition, in reduced scale.

FIG. 7 is a top view thereof.

FIG. 8 is a bottom view thereof.

FIG. 9 is a front view thereof.

FIG. 10 is a rear view thereof

FIG. 11 is a left-side view thereof; and,

FIG. 12 is a right-side view thereof.

The broken lines in the figures illustrate the portions of the design that form no part of the claimed design. The broken lines beverage container in FIGS. 3-6 illustrate environmental subject matter that form no part of the claimed design.

(56) **References Cited**

U.S. PATENT DOCUMENTS

5,377,860 A * 1/1995 Littlejohn B65D 21/0219

220/4.21

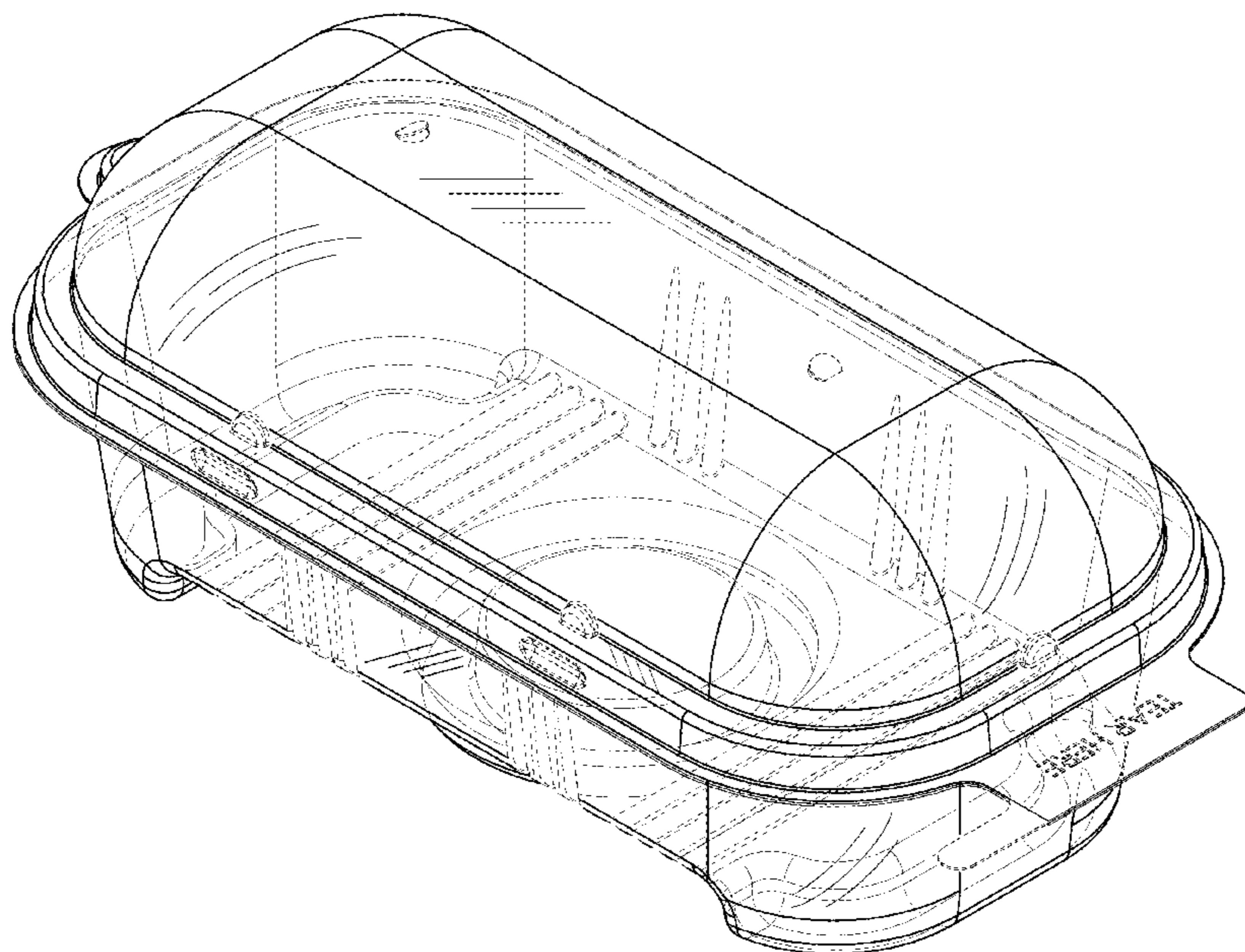
5,515,993 A * 5/1996 McManus B65D 43/162

206/508

D376,314 S * 12/1996 Krupa D9/425

D488,718 S * 4/2004 Passerini D9/425

1 Claim, 8 Drawing Sheets



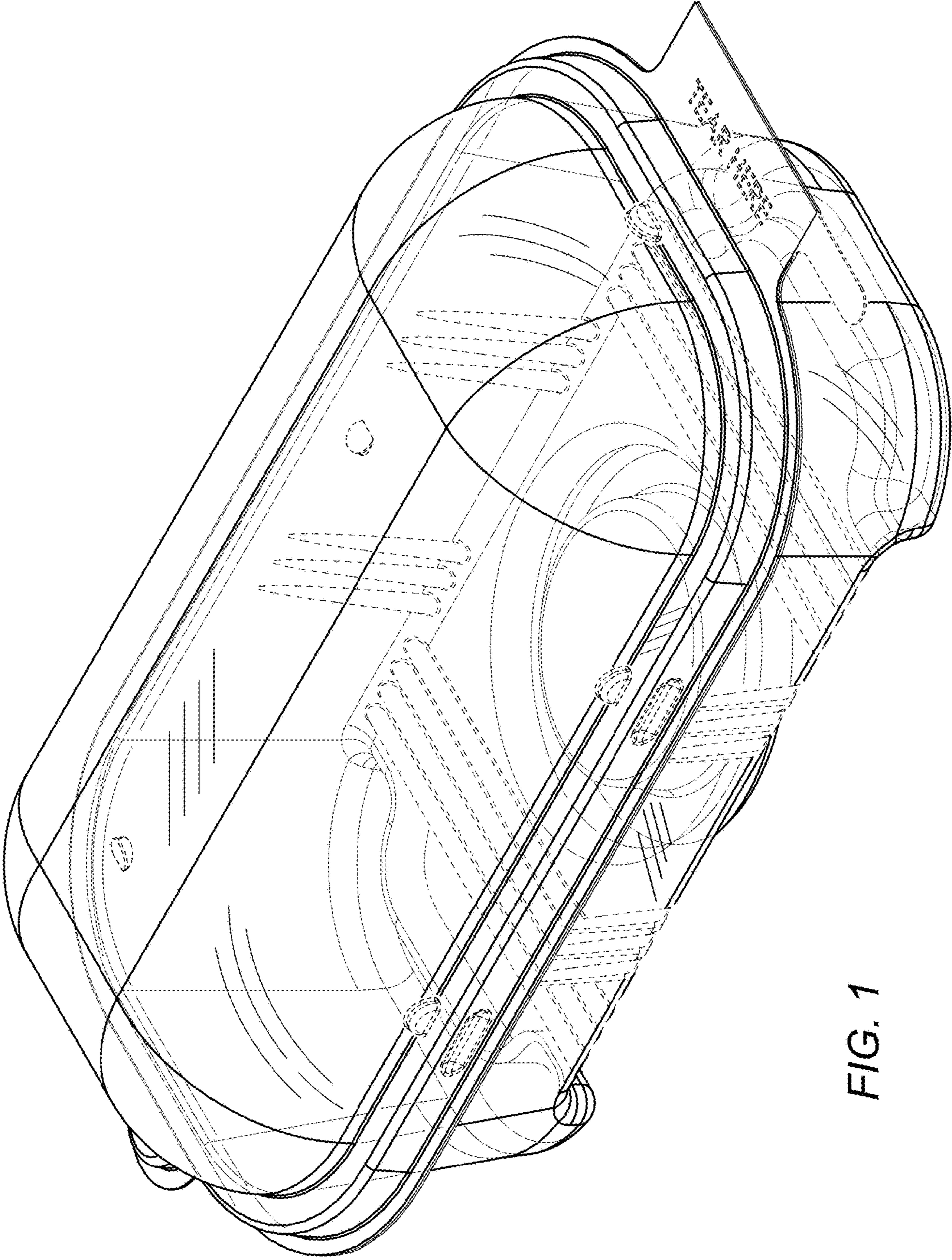


FIG. 1

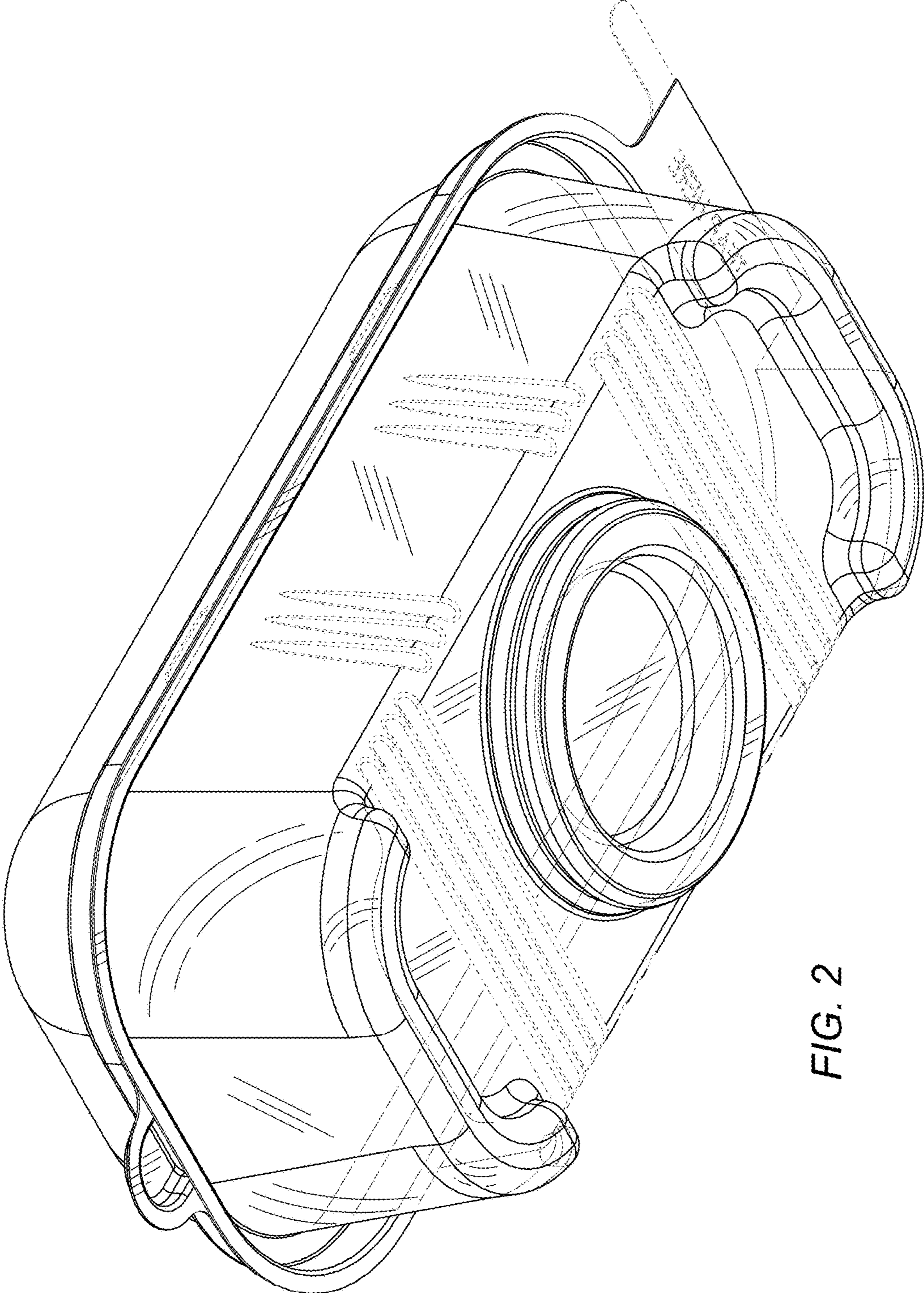


FIG. 2

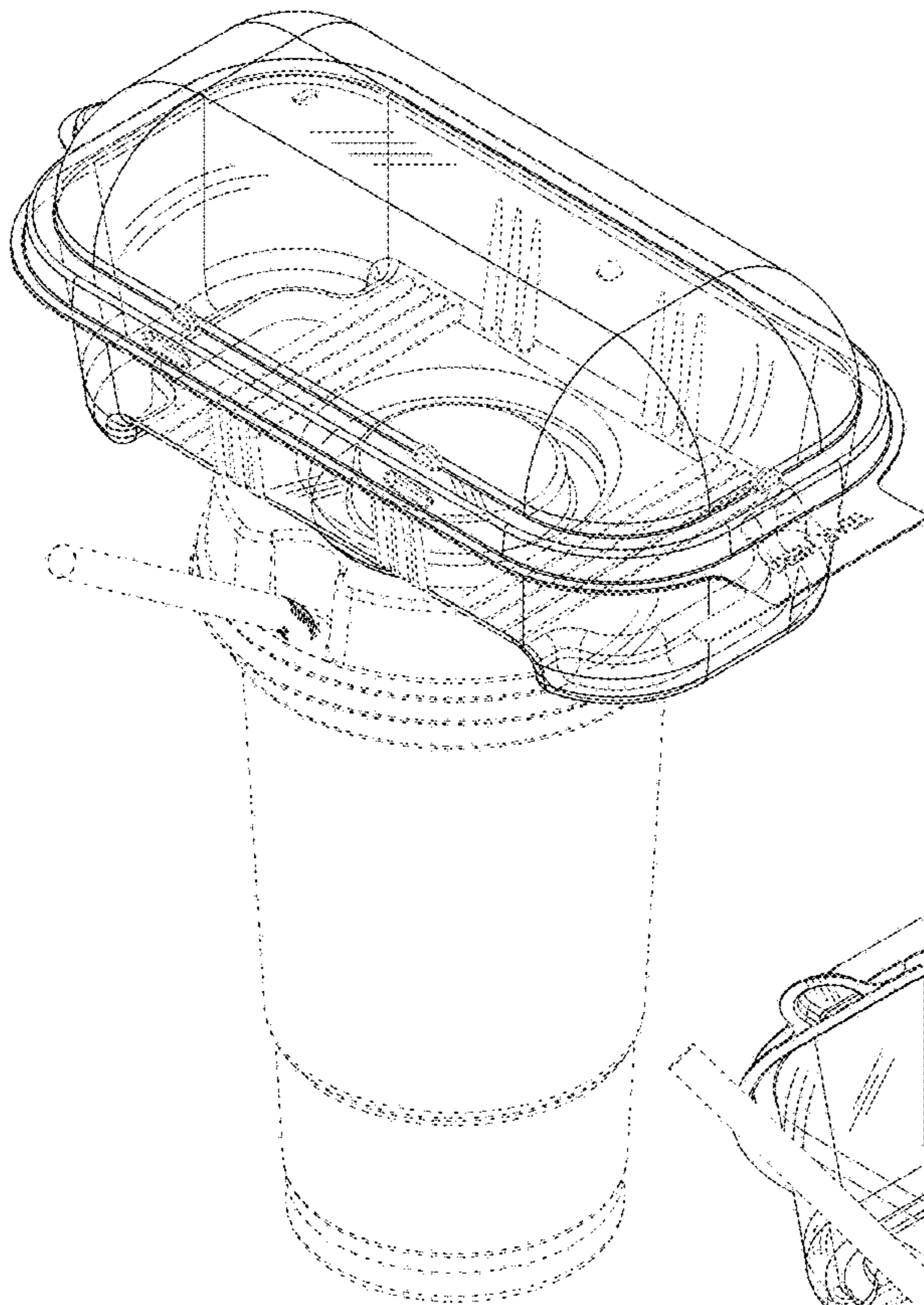


FIG. 3

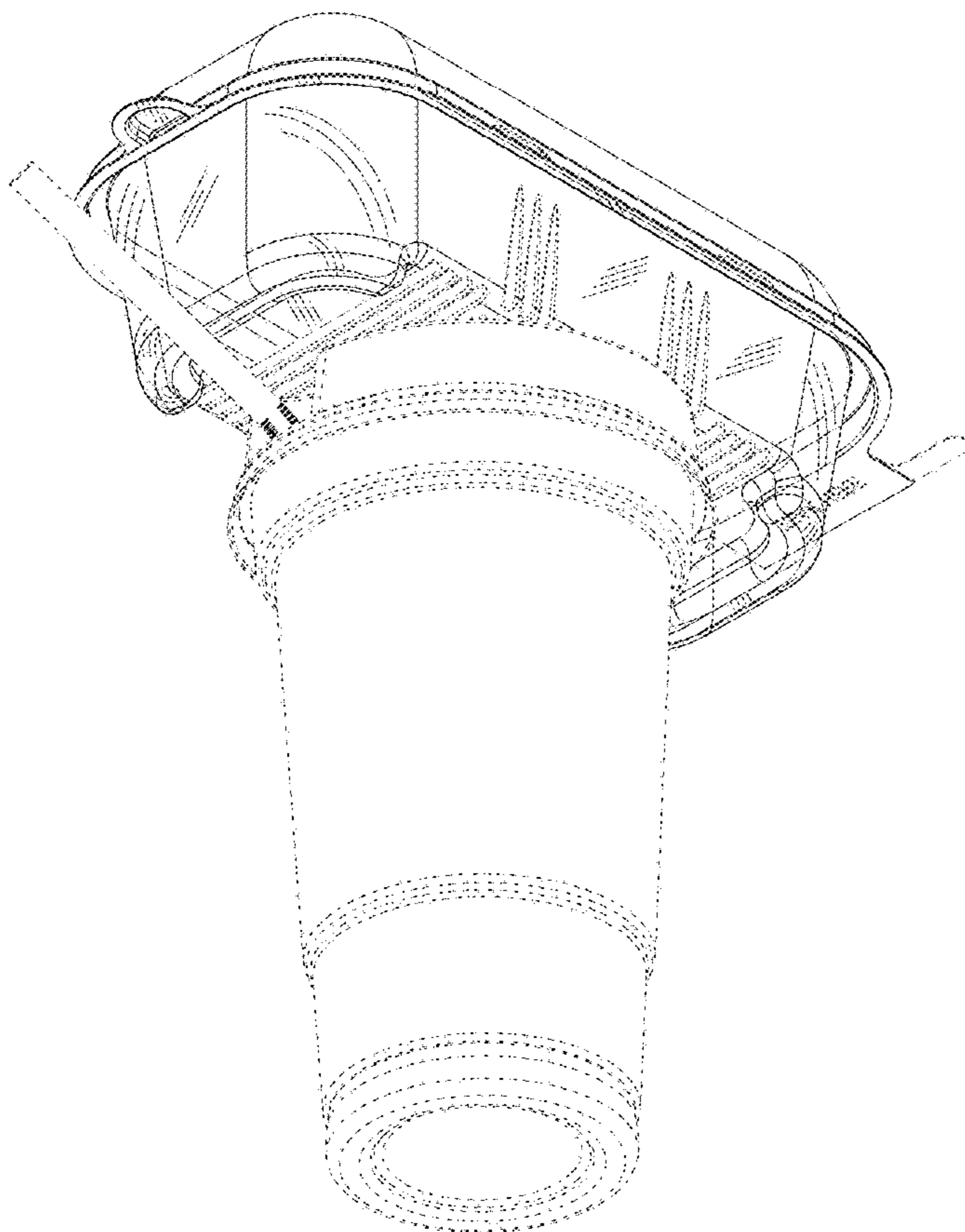


FIG. 4

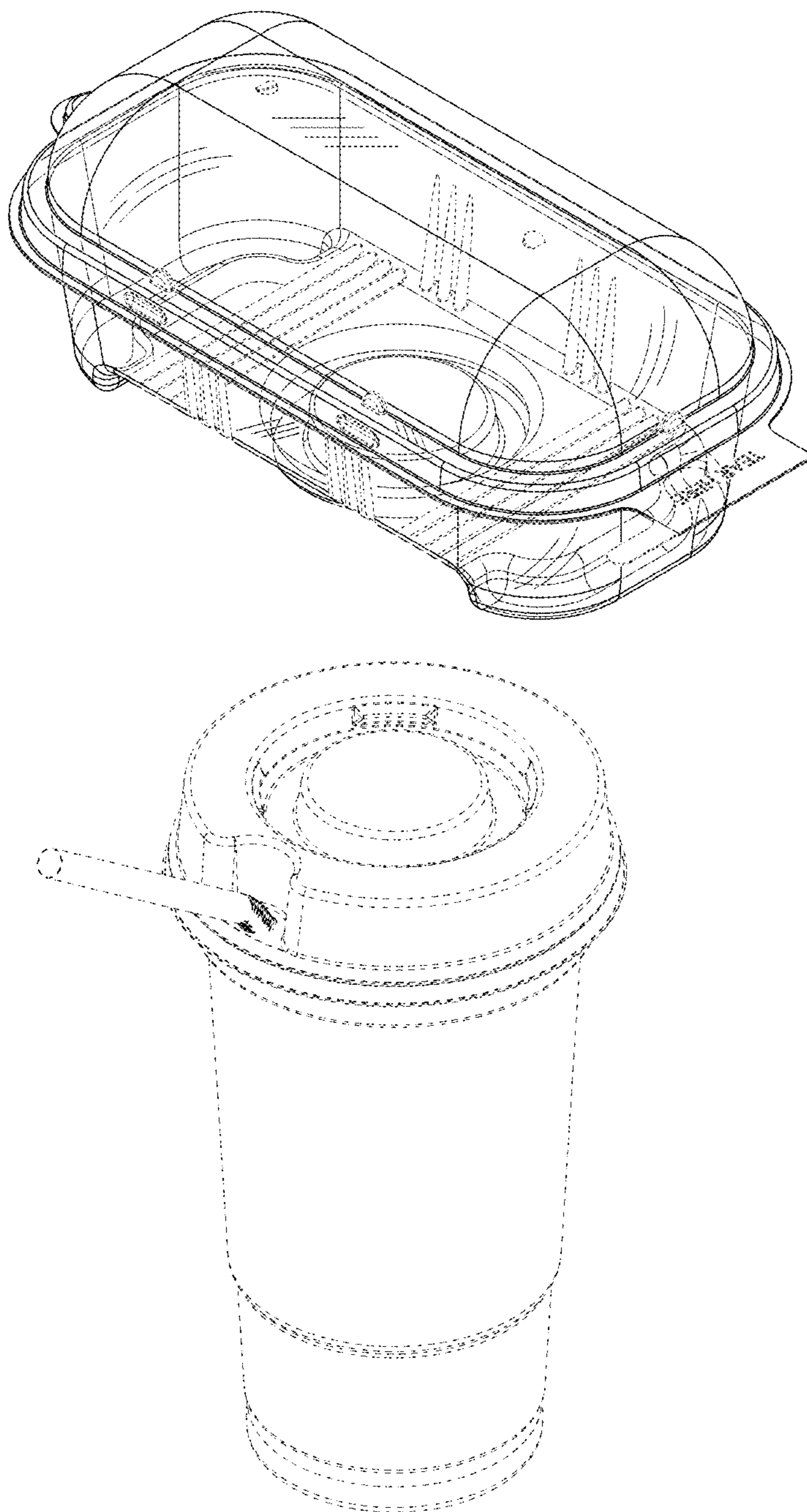


FIG. 5

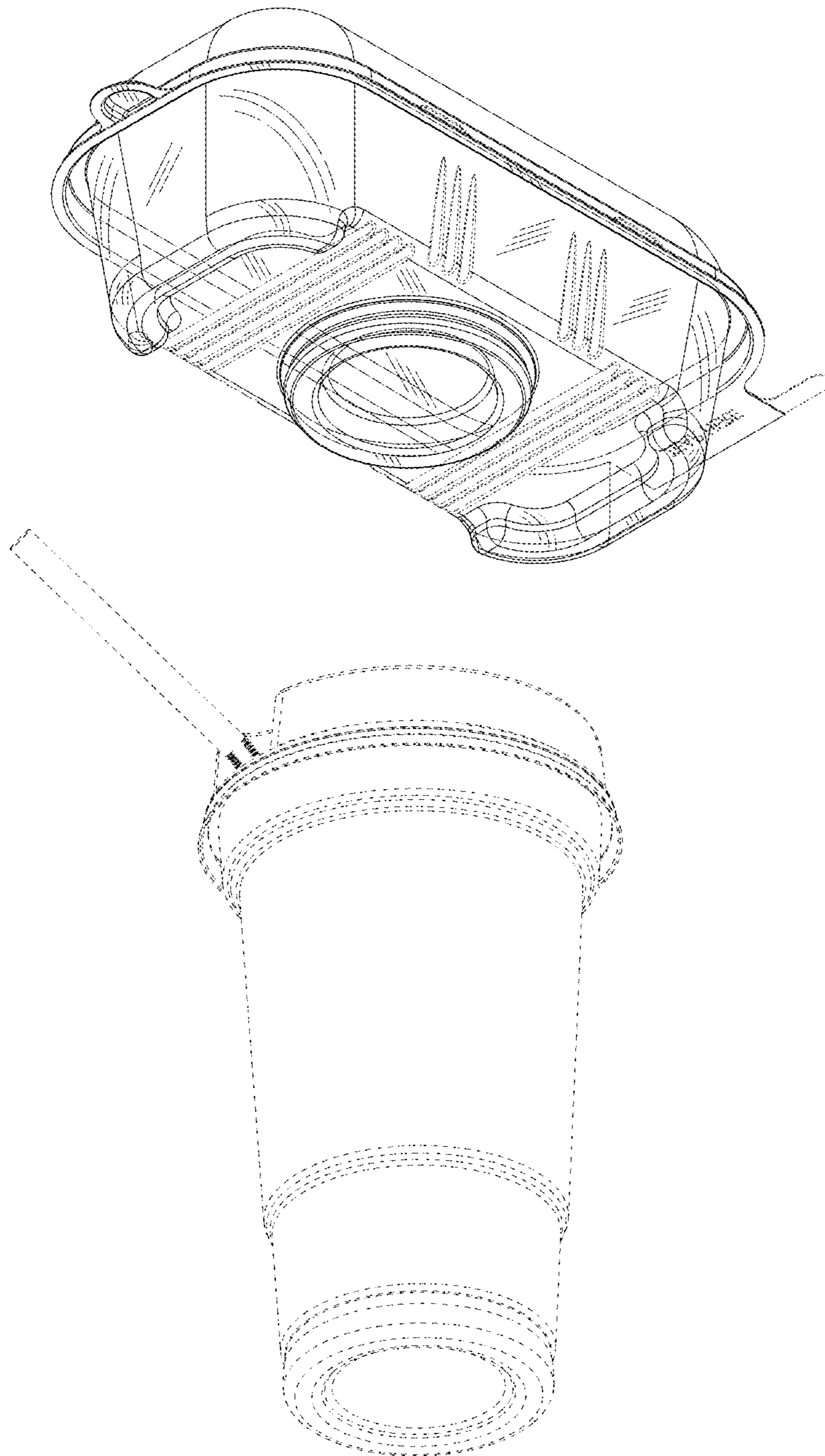


FIG. 6

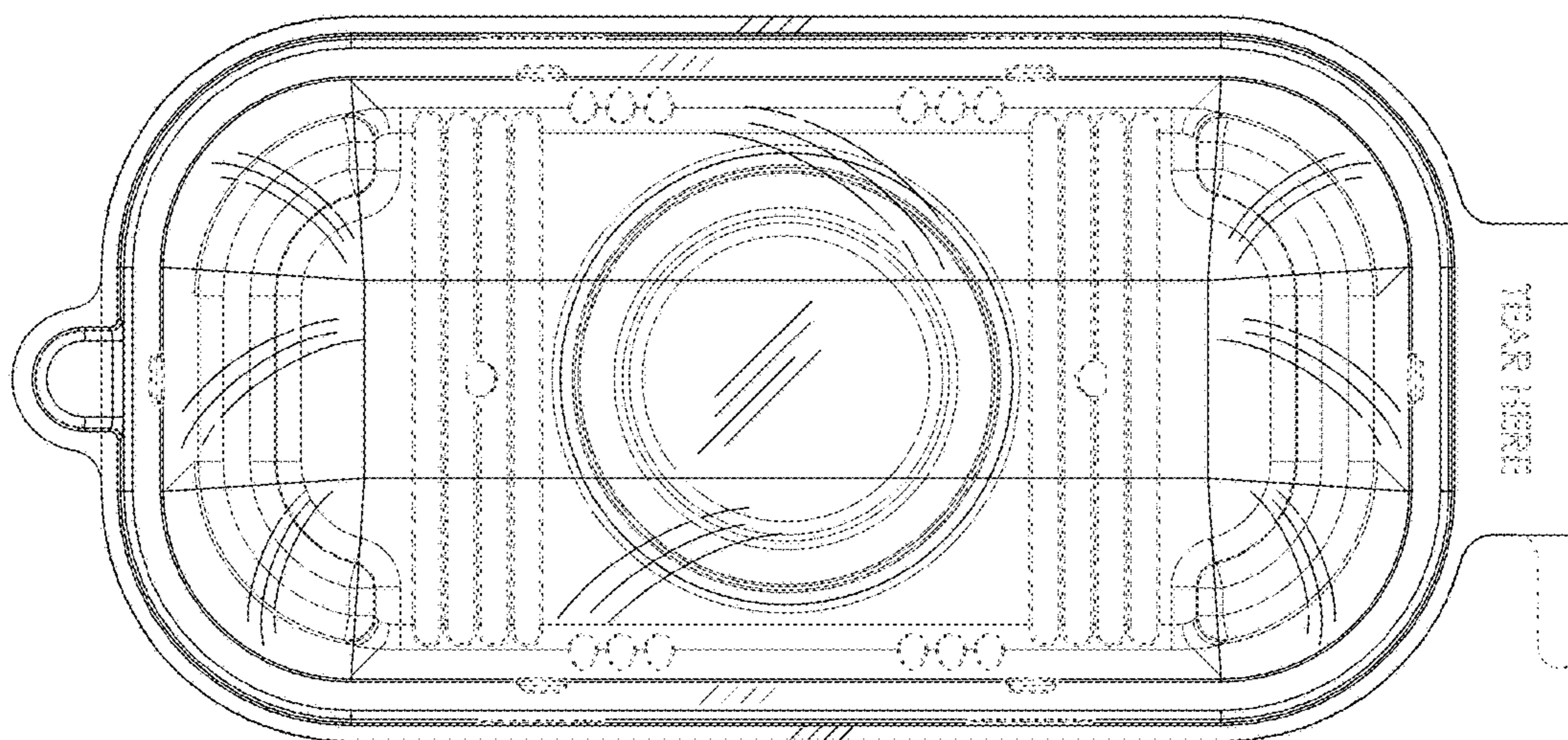


FIG. 7

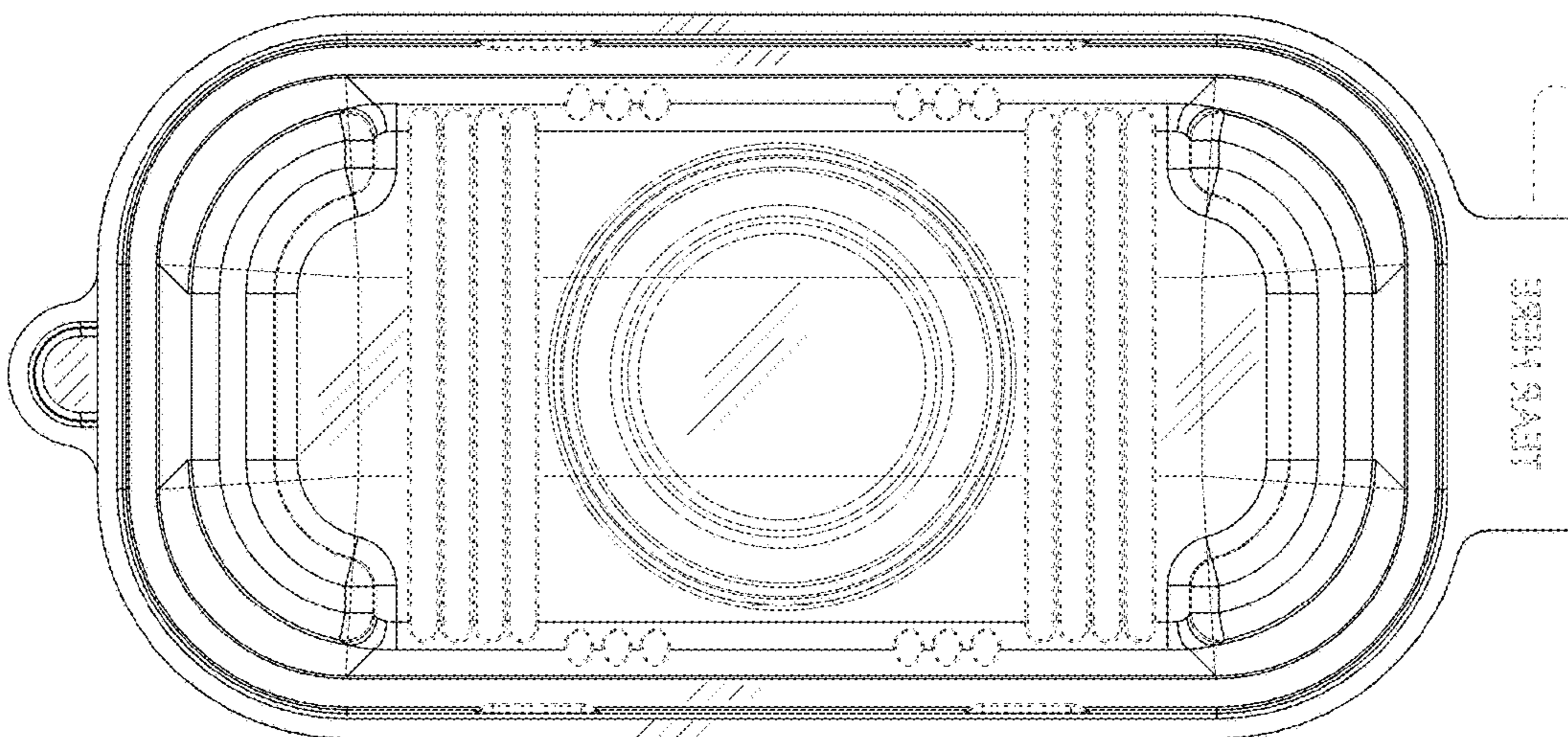


FIG. 8

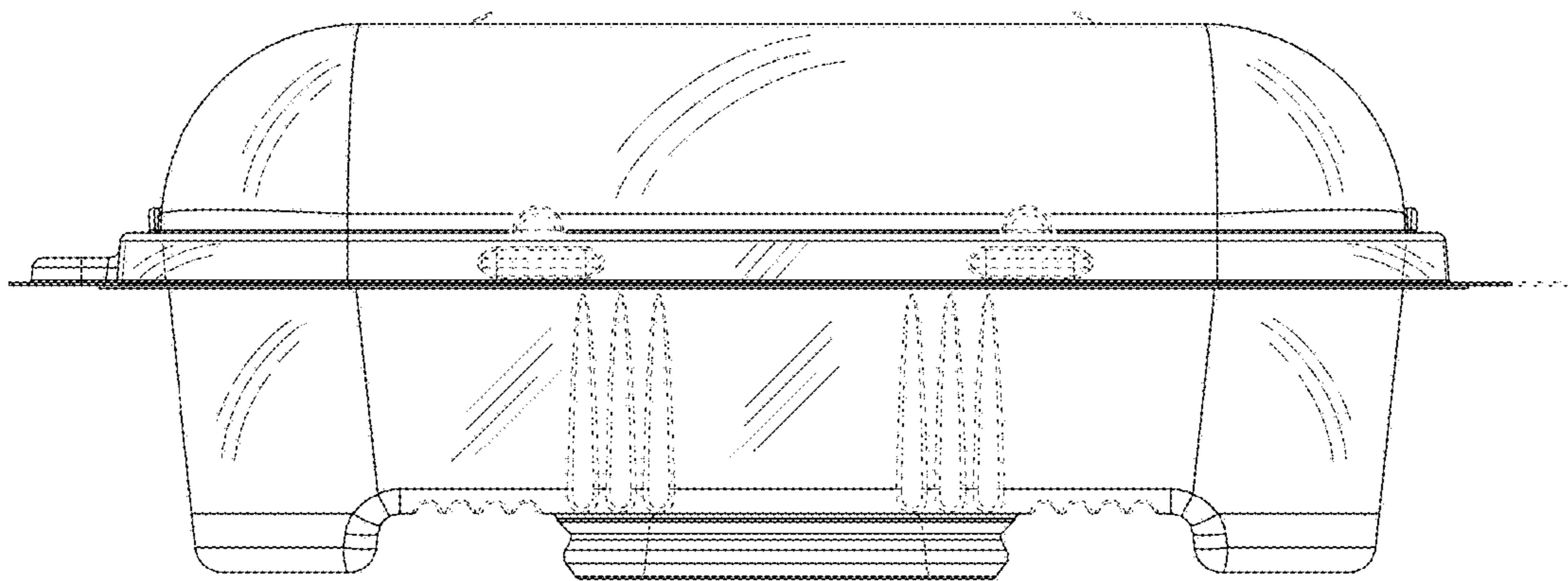


FIG. 9

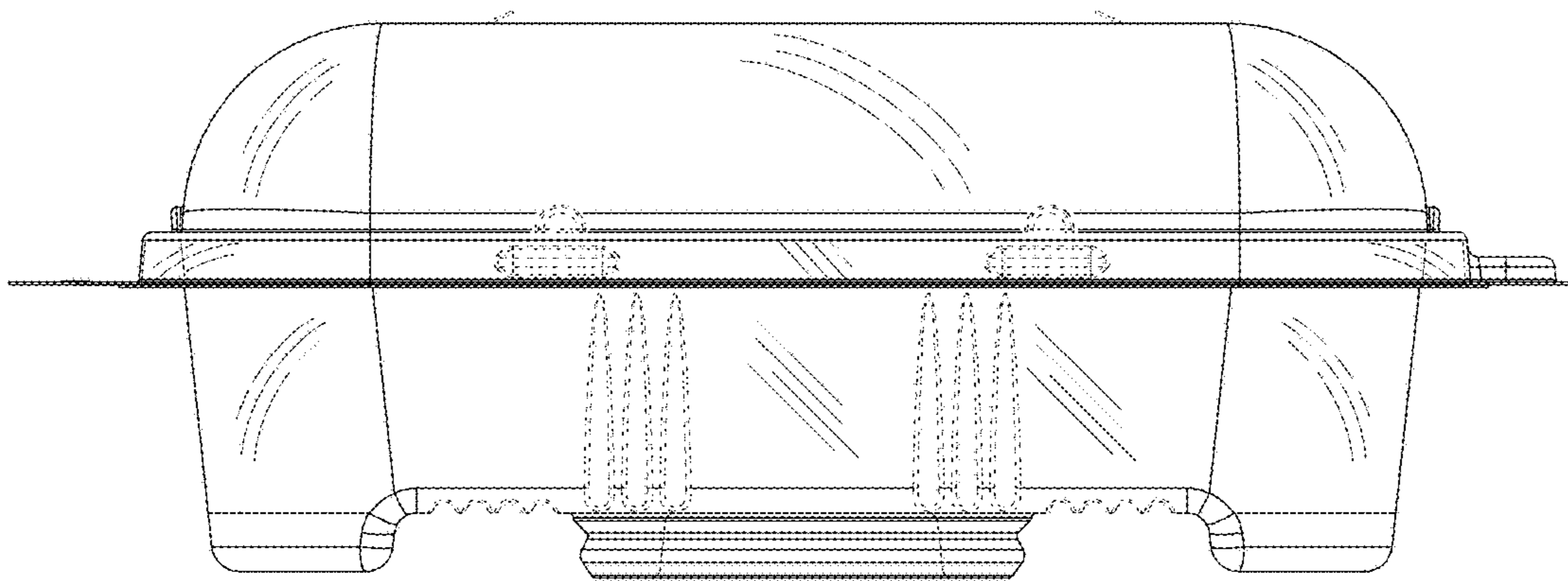


FIG. 10

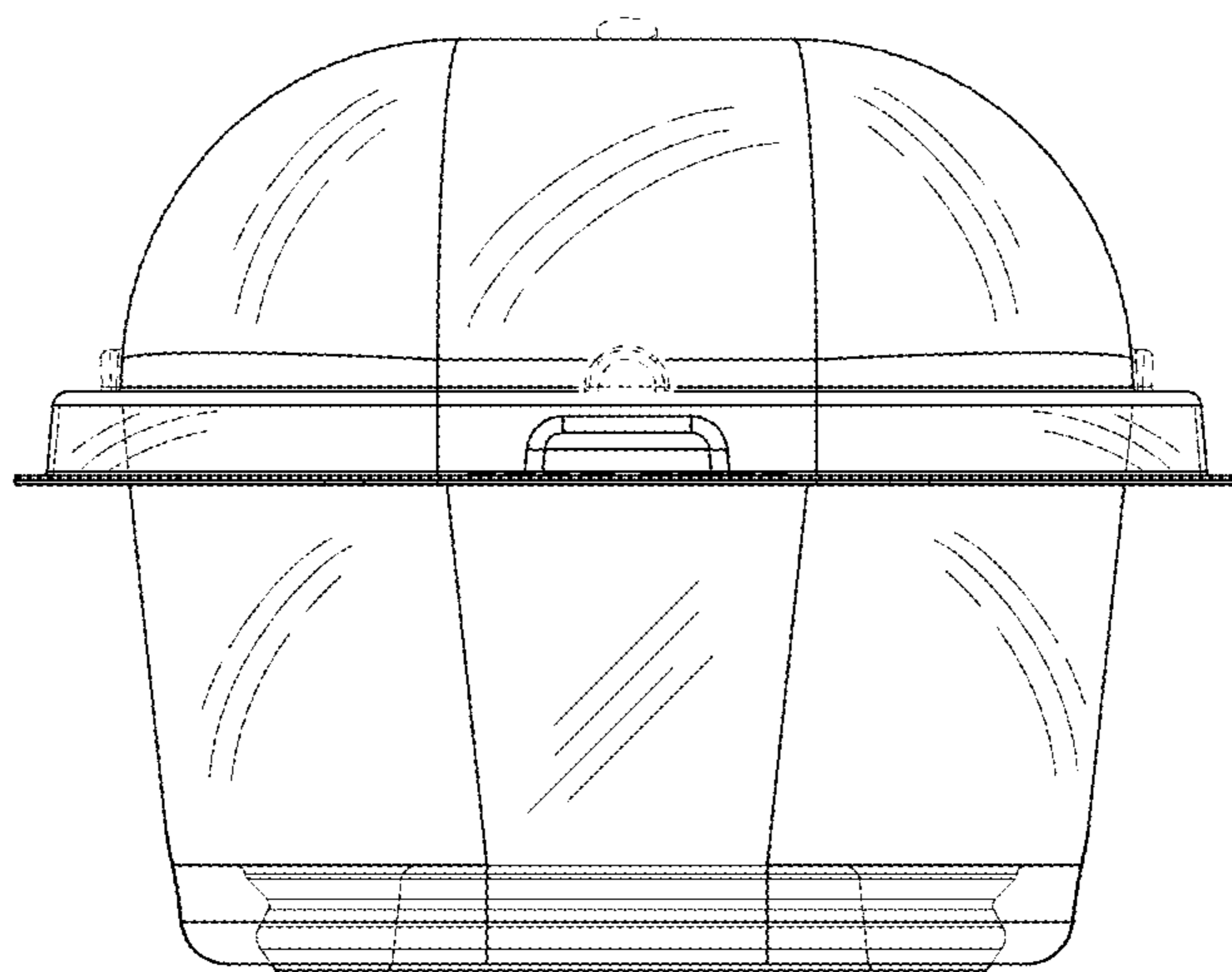


FIG. 11

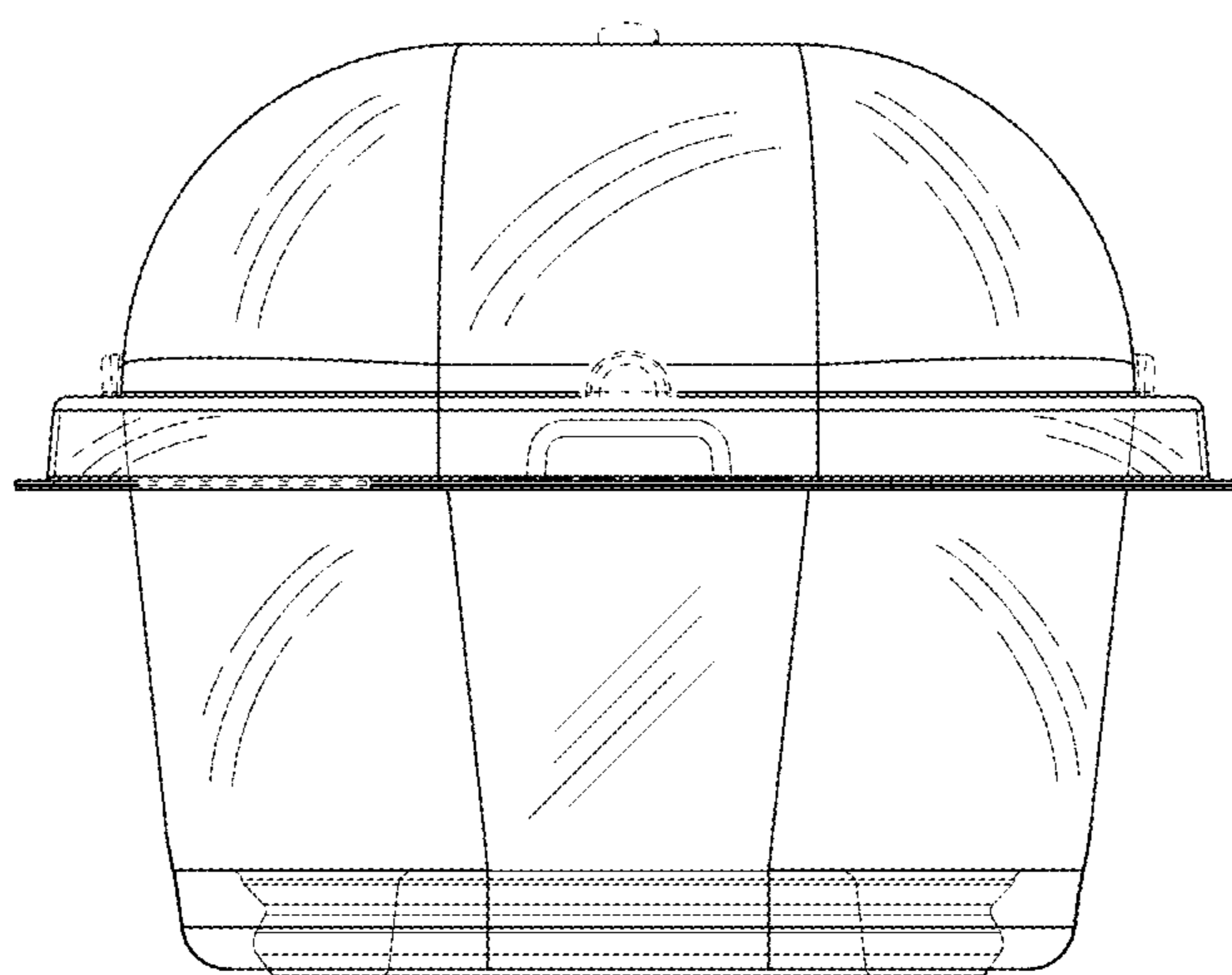


FIG. 12