



US00D830820S

(12) **United States Design Patent**
Sweeney

(10) **Patent No.:** **US D830,820 S**
(45) **Date of Patent:** **** Oct. 16, 2018**

(54) **SCREW HEAD ADAPTER**

(71) Applicant: **Spinal Generations, LLC**, Mokena, IL
(US)

(72) Inventor: **Patrick J. Sweeney**, Flossmoor, IL
(US)

(73) Assignee: **Spinal Generations, LLC**, Mokena, IL
(US)

(**) Term: **15 Years**

(21) Appl. No.: **29/592,231**

(22) Filed: **Jan. 27, 2017**

(51) **LOC (11) Cl.** **08-08**

(52) **U.S. Cl.**
USPC **D8/387**; D24/155

(58) **Field of Classification Search**
USPC D8/349, 382, 387, 388, 391, 393, 397,
D8/399; D24/155, 156, 157
(Continued)

(56) **References Cited**

U.S. PATENT DOCUMENTS

D31,894 S * 11/1899 Dixon D12/20
D49,704 S * 9/1916 Cook D8/386
(Continued)

Primary Examiner — Sandra S Snapp

Assistant Examiner — Ieisha N Price

(74) *Attorney, Agent, or Firm* — Foley & Lardner LLP

(57) **CLAIM**

I claim the ornamental design for a screw head adapter, as shown and described.

DESCRIPTION

FIG. 1 is a side view of a screw head adapter according to the first embodiment of the claimed design coupled to a screw shown as environmental structure;

FIG. 2 is a top perspective view of the claimed design of FIG. 1;

FIG. 3 is a bottom perspective view of the claimed design of FIG. 1;

FIG. 4 is a front side view of the claimed design of FIG. 1;

FIG. 5 is a rear side view of the claimed design of FIG. 1;

FIG. 6 is a left side view of the claimed design of FIG. 1;

FIG. 7 is a right side view of the claimed design of FIG. 1;

FIG. 8 is a top view of the claimed design of FIG. 1;

FIG. 9 is a bottom view of the claimed design of FIG. 1;

FIG. 10 is a side view of a screw head adapter according to the second embodiment of the claimed design coupled to a screw shown as environmental structure;

FIG. 11 is a top perspective view of the claimed design of FIG. 10;

FIG. 12 is a bottom perspective view of the claimed design of FIG. 10;

FIG. 13 is a front side view of the claimed design of FIG. 10;

FIG. 14 is a rear side view of the claimed design of FIG. 10;

FIG. 15 is a left side view of the claimed design of FIG. 10;

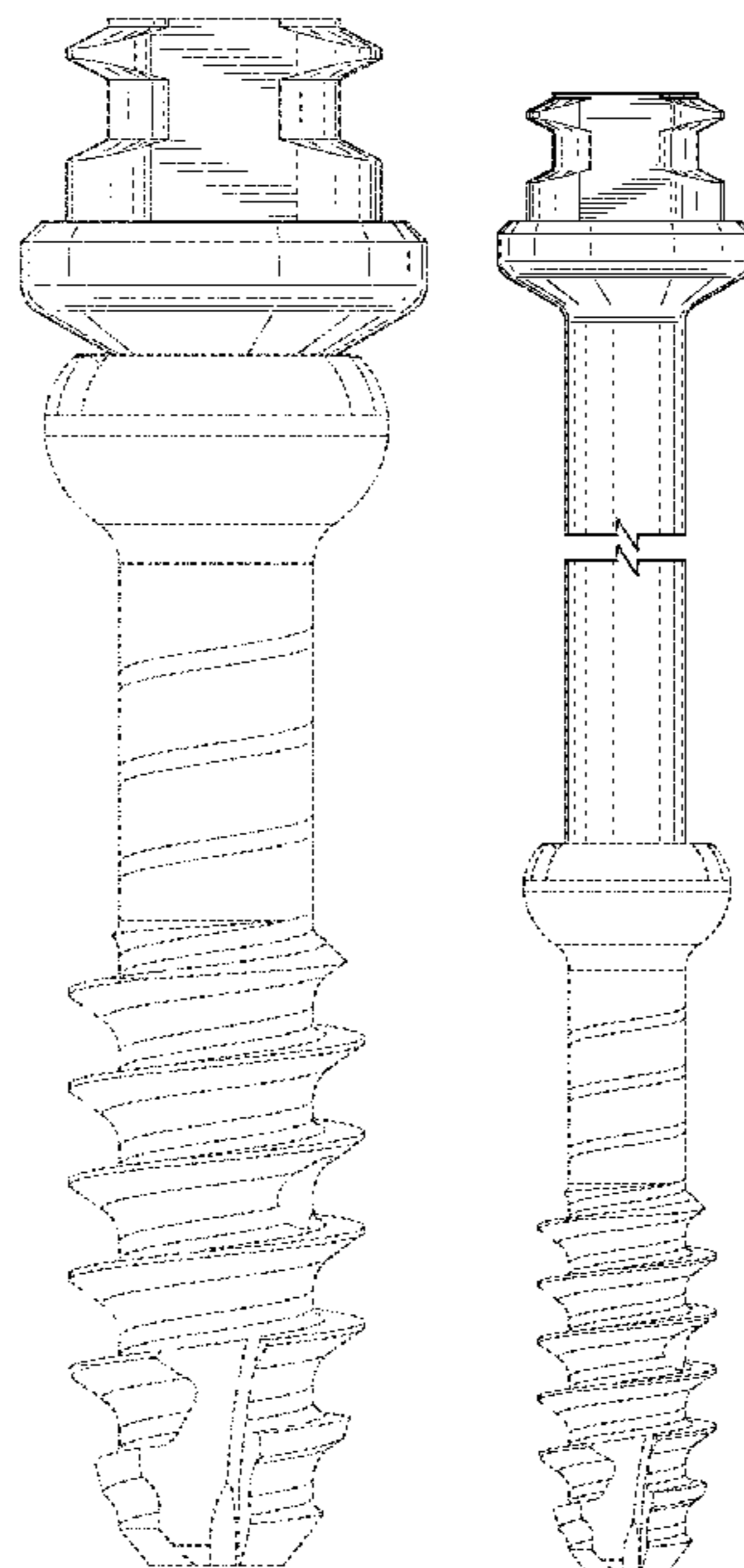
FIG. 16 is a right side view of the claimed design of FIG. 10;

FIG. 17 is a top view of the claimed design of FIG. 10; and,

FIG. 18 is a bottom view of the claimed design of FIG. 10.

The ornamental design which is claimed is shown in solid lines in the drawings. The broken lines in the drawings are for illustrative purposes only and form no part of the claimed design. The screw head adapter of FIGS. 10-18 is shown with a symbolic break in its length. The appearance of any portion of the article between the break lines forms no part of the claimed design.

1 Claim, 12 Drawing Sheets



(58) **Field of Classification Search**

CPC F16B 15/00; F16B 19/00; F16B 19/02;
 F16B 23/00; F16B 23/0061; F16B
 23/0007; F16B 23/0015; F16B 23/0069;
 F16B 23/0084; F16B 25/0036; F16B
 35/04; F16B 35/06; F16B 35/041; A61B
 17/68; A61B 17/686; A61B 17/7083;
 A61B 2017/0648; A61B 17/7082; A61B
 17/8605; A61B 17/861; A61B 17/8877;
 A61B 17/862; A61B 17/8883; A61B
 17/8635

See application file for complete search history.

(56) **References Cited**

U.S. PATENT DOCUMENTS

D218,017 S * 7/1970 Brown 24/279

4,871,313 A * 10/1989 Maillefer A61C 5/35
 433/225
 D358,212 S * 5/1995 Sullivan D24/156
 D366,115 S * 1/1996 Sullivan D24/156
 6,068,632 A * 5/2000 Carchidi A61B 17/1635
 433/165
 D441,448 S * 5/2001 Kumar D24/156
 D573,259 S * 7/2008 Park D24/156
 D583,946 S * 12/2008 Schendel D24/156
 D602,161 S * 10/2009 Yazdi D24/156
 D611,511 S * 3/2010 Anitua Aldecoa D15/139
 D773,926 S * 12/2016 Sweeney D8/387
 D801,796 S * 11/2017 Sweeney D8/387
 2009/0003970 A1 * 1/2009 Griffith F16B 25/0026
 411/485
 2011/0056166 A1 * 3/2011 Bartlett E04G 9/04
 52/742.14
 2017/0058520 A1 * 3/2017 Keith E04C 2/2885

* cited by examiner

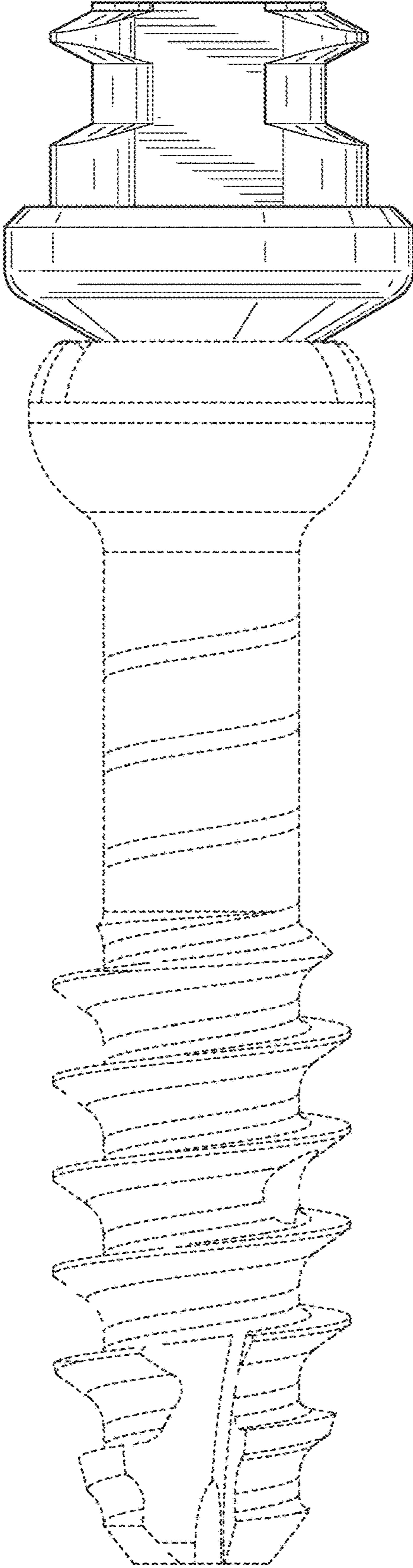


FIG. 1

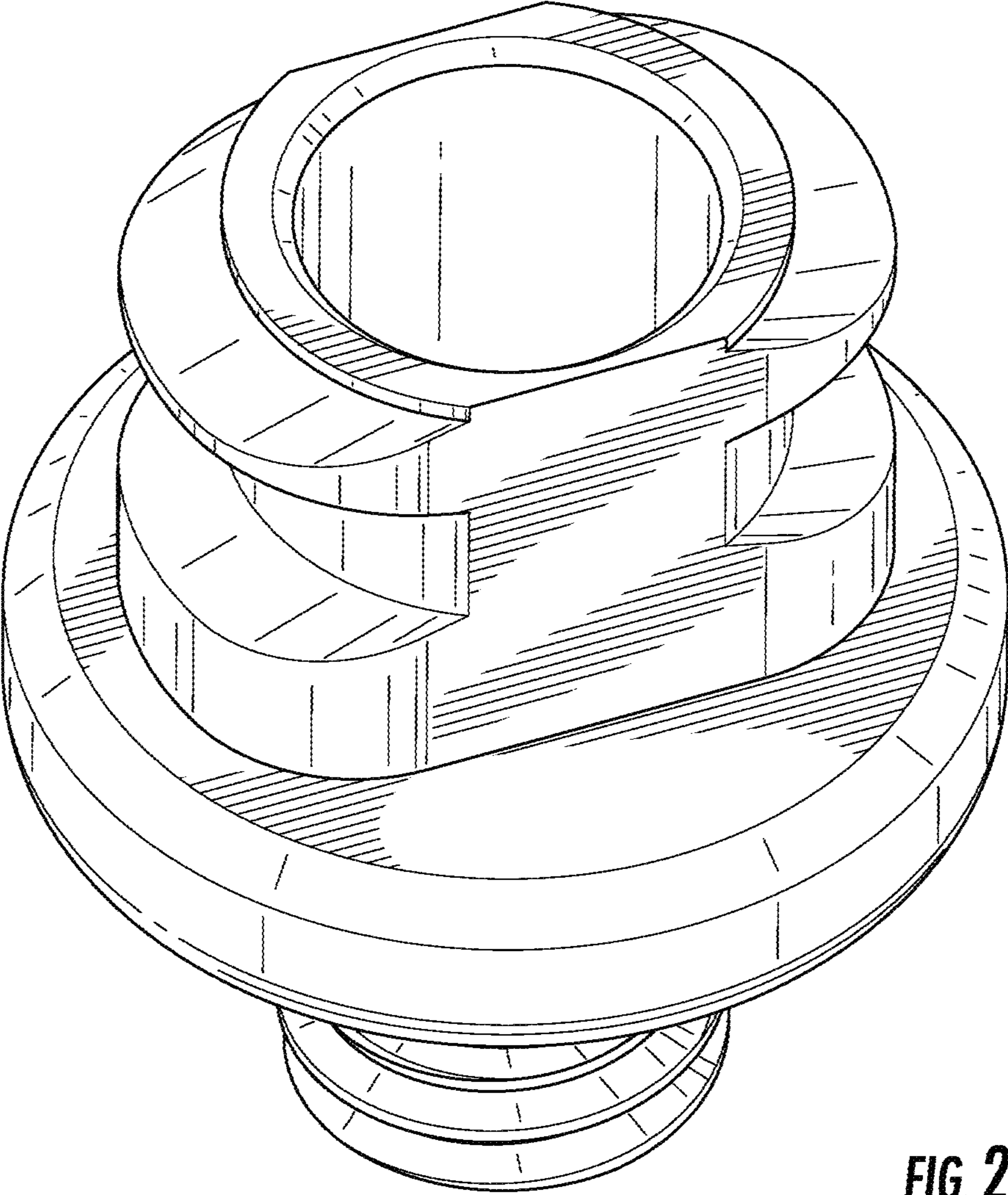


FIG. 2

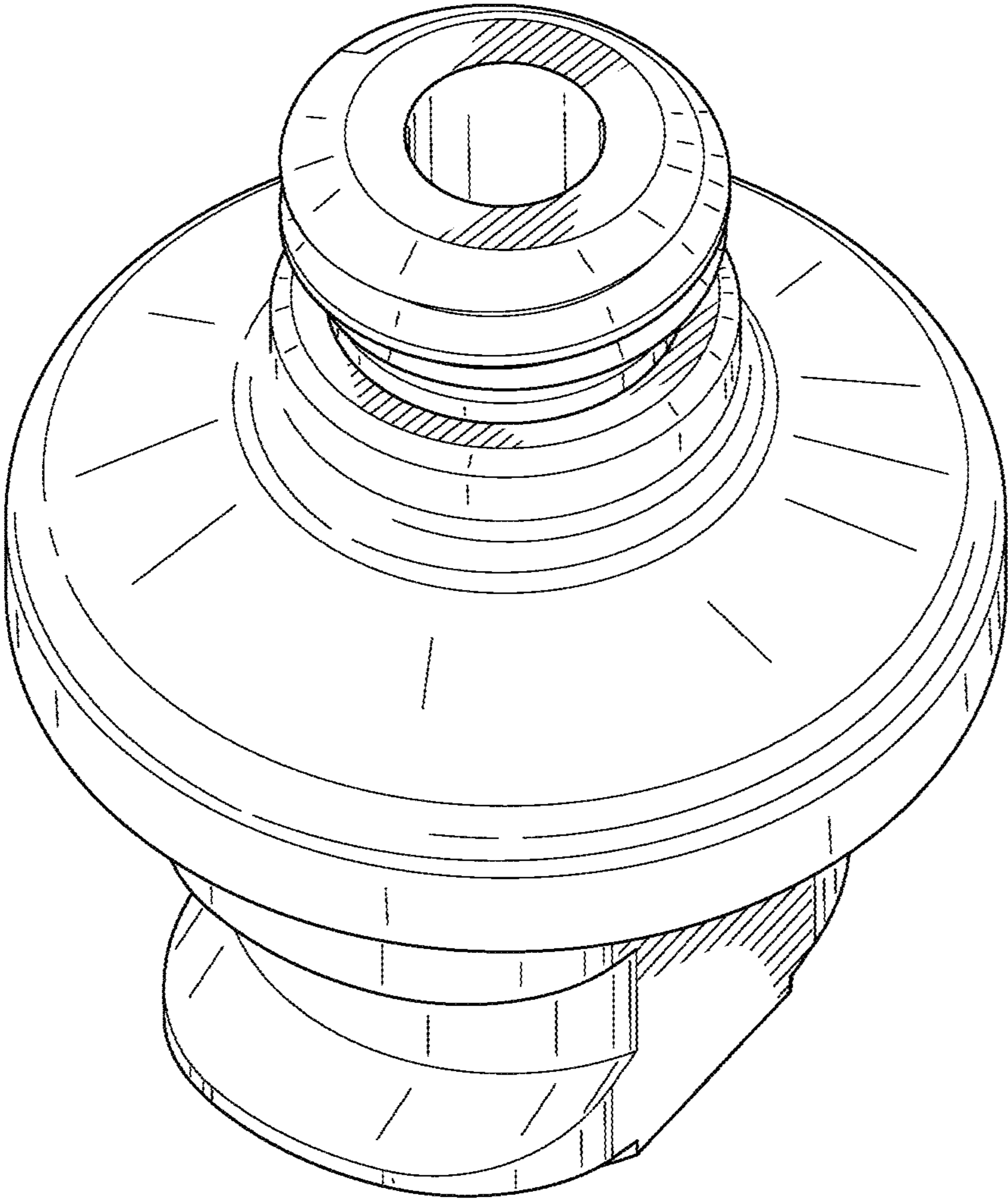


FIG. 3

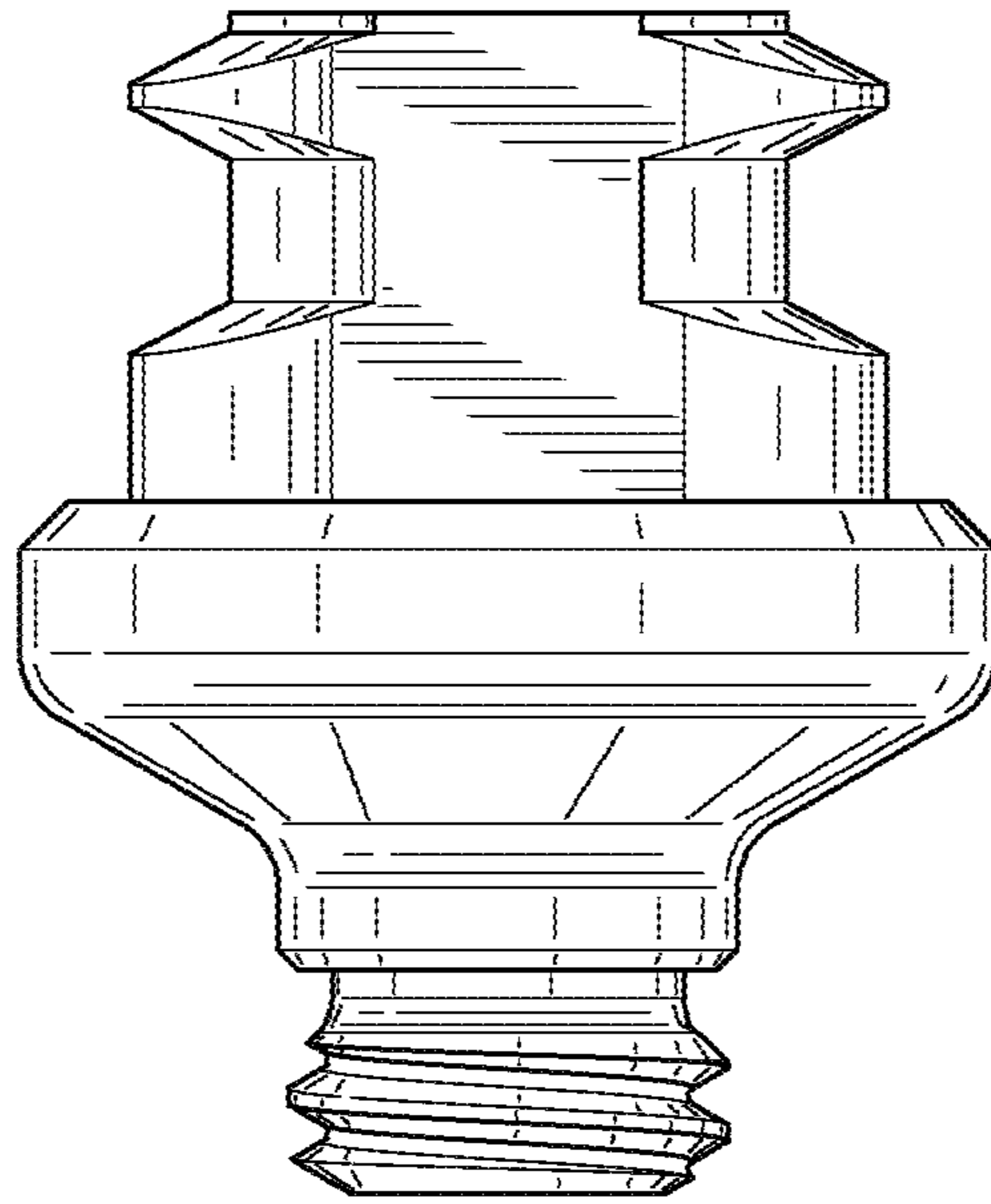


FIG. 4

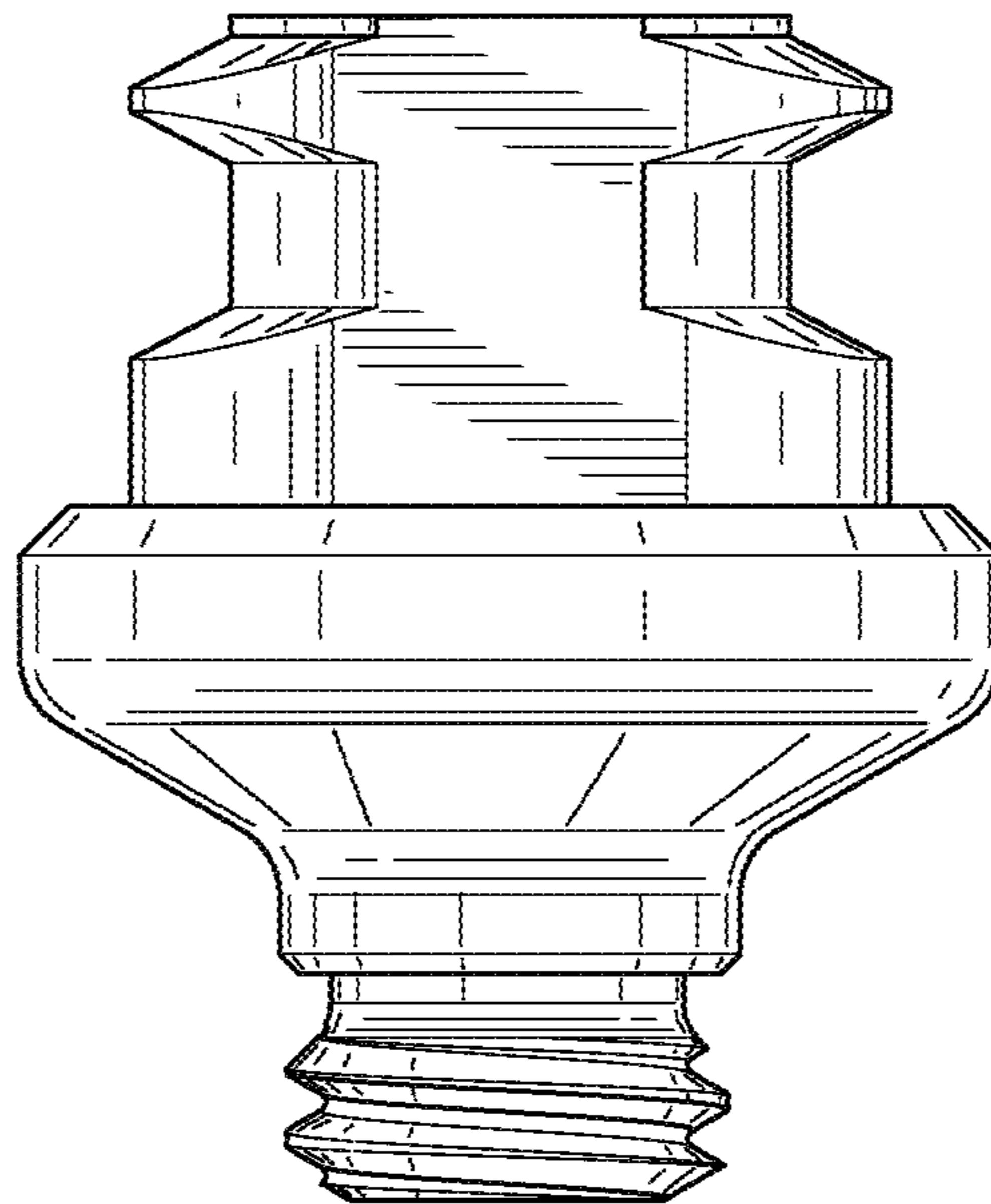


FIG. 5

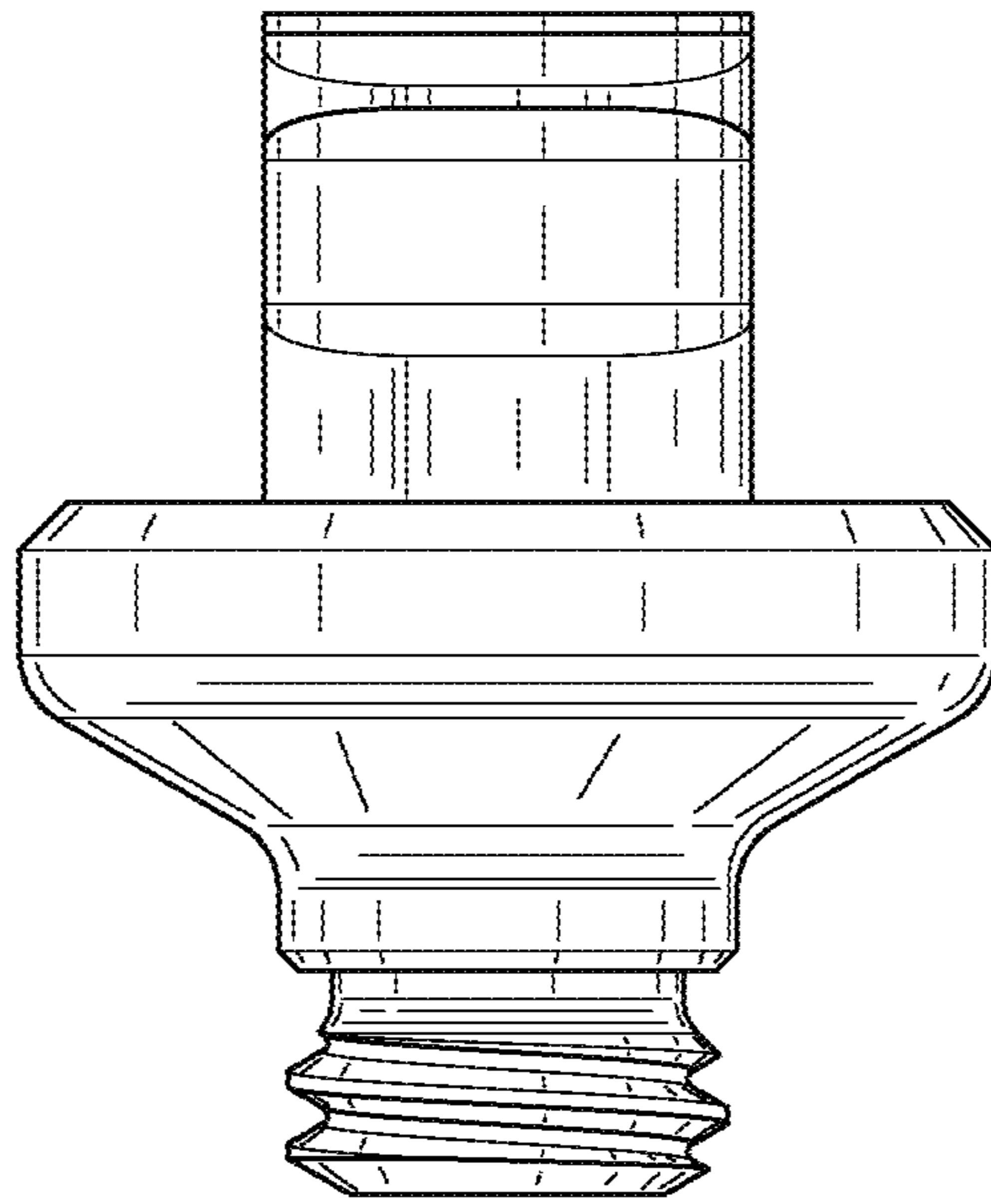


FIG. 6

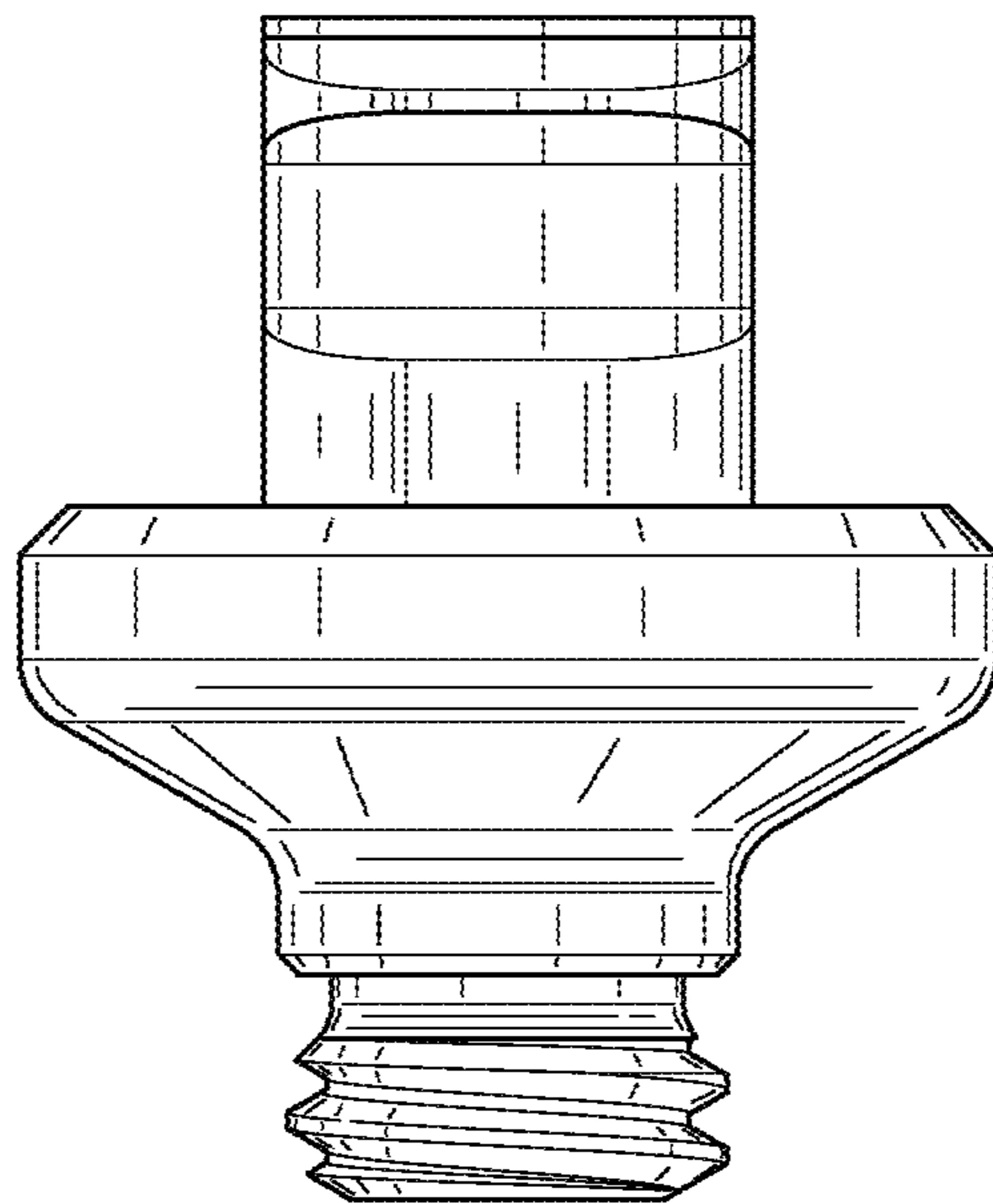


FIG. 7

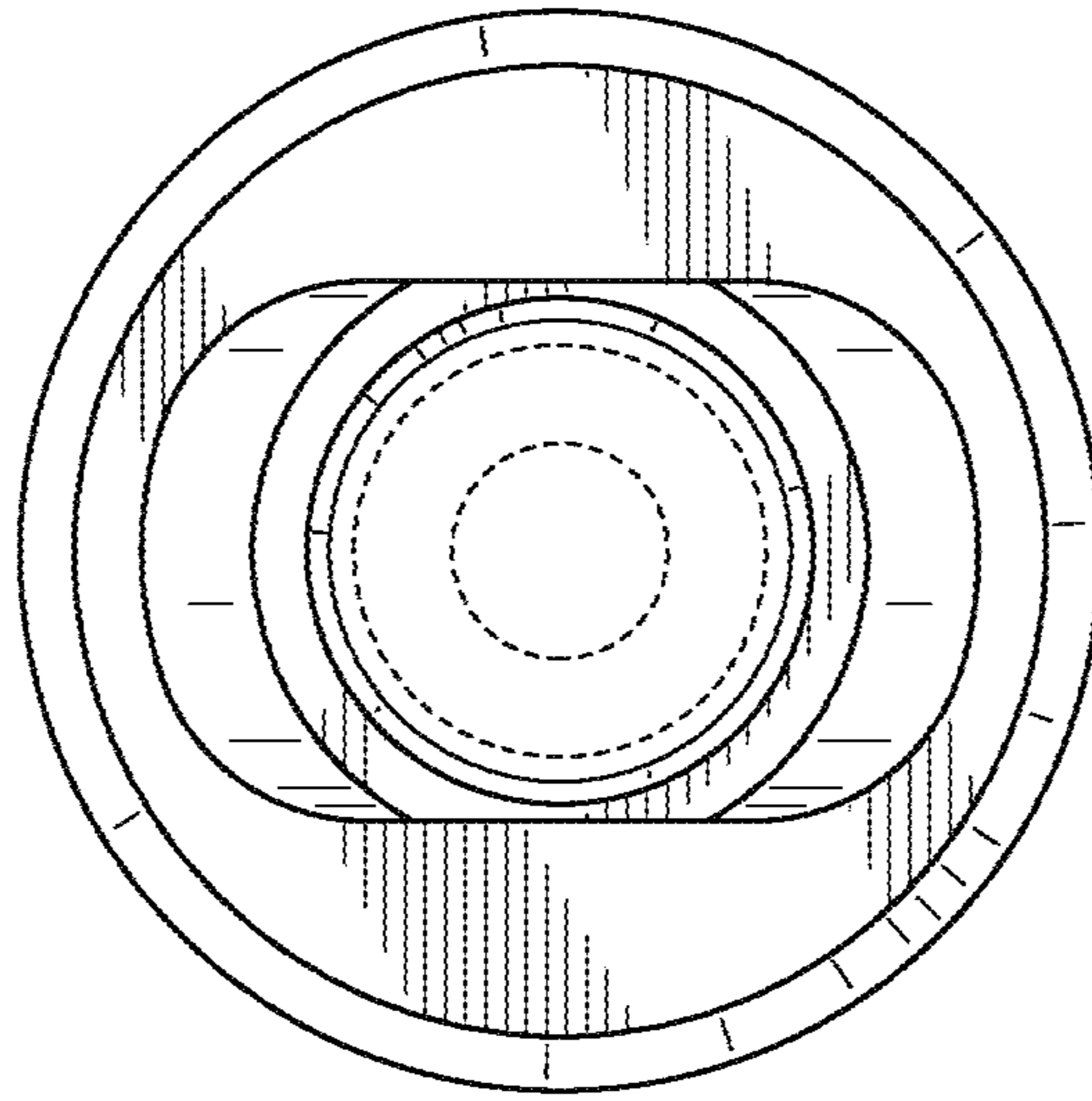


FIG. 8

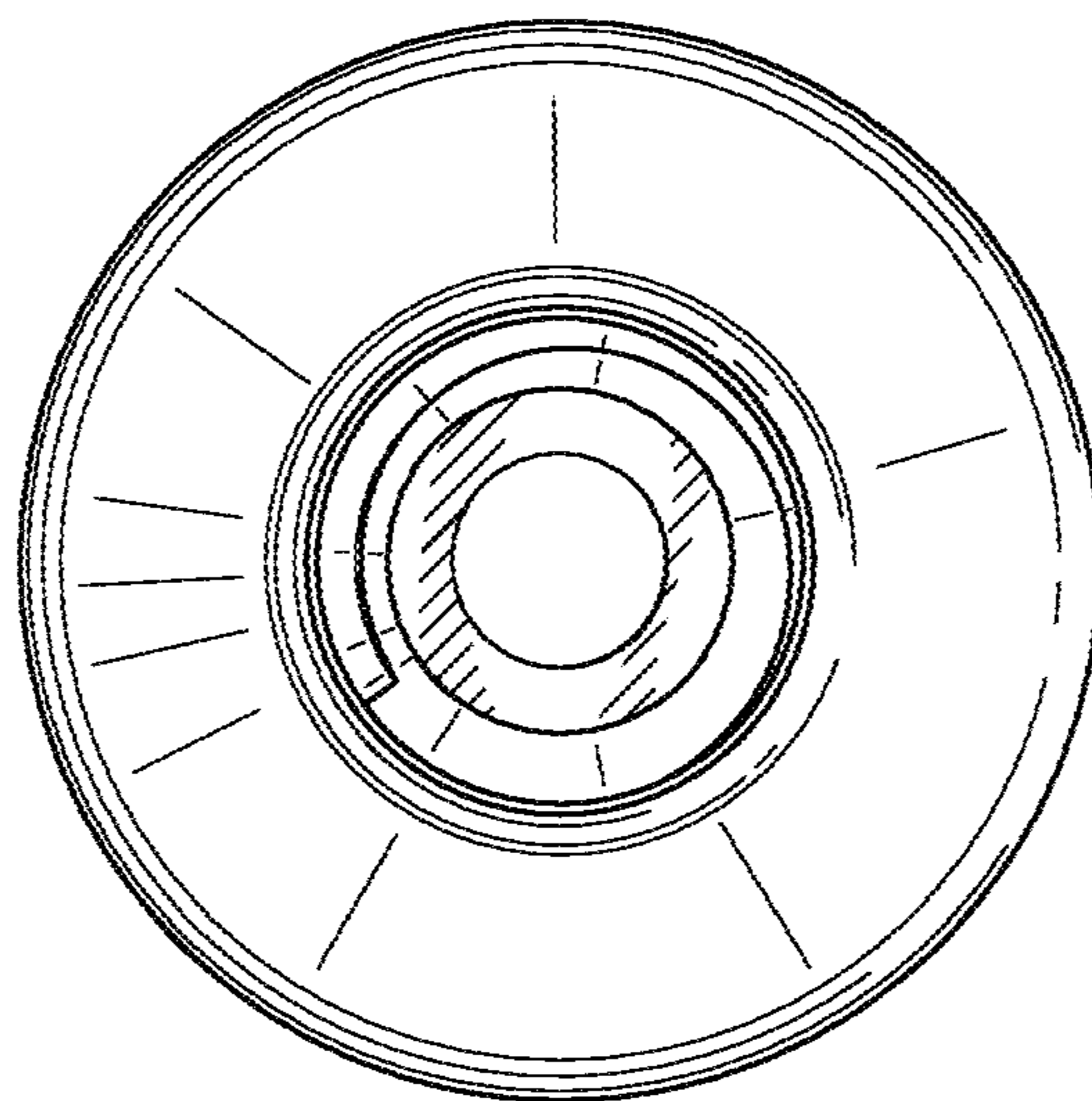


FIG. 9

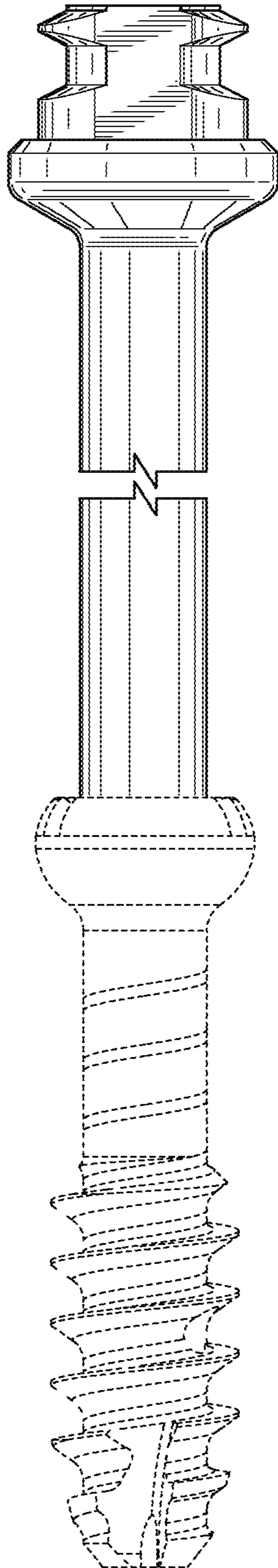


FIG. 10

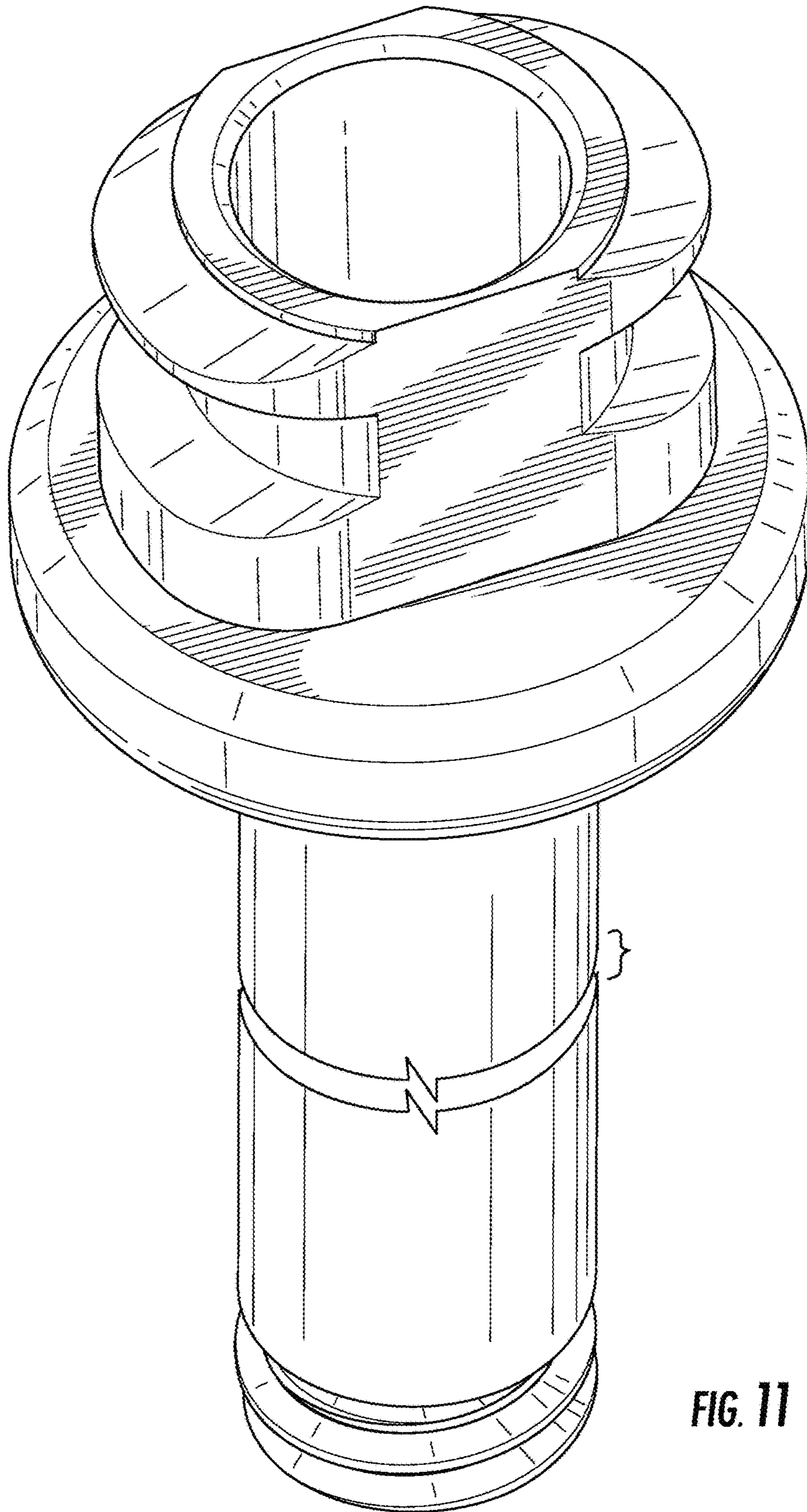


FIG. 11

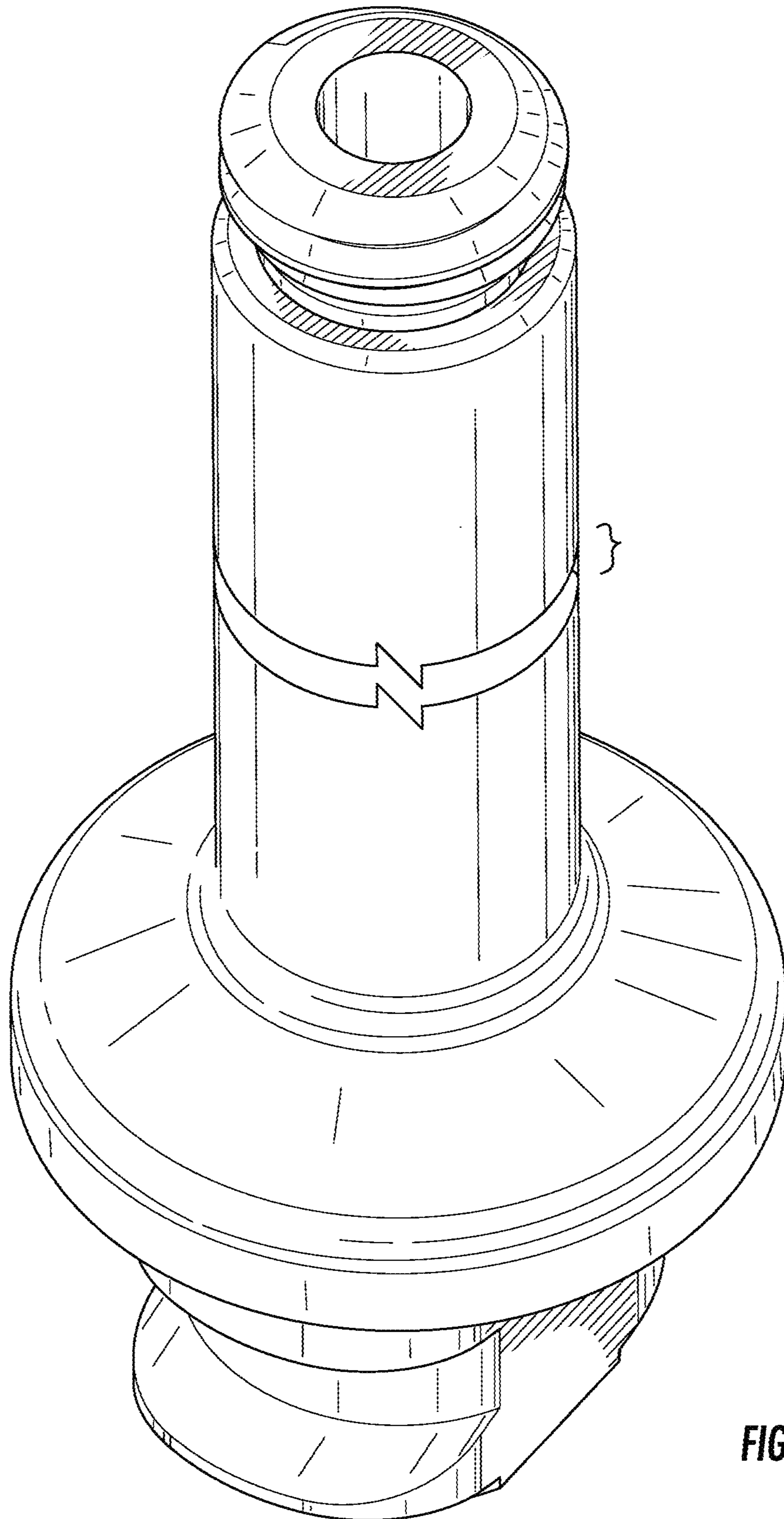


FIG. 12

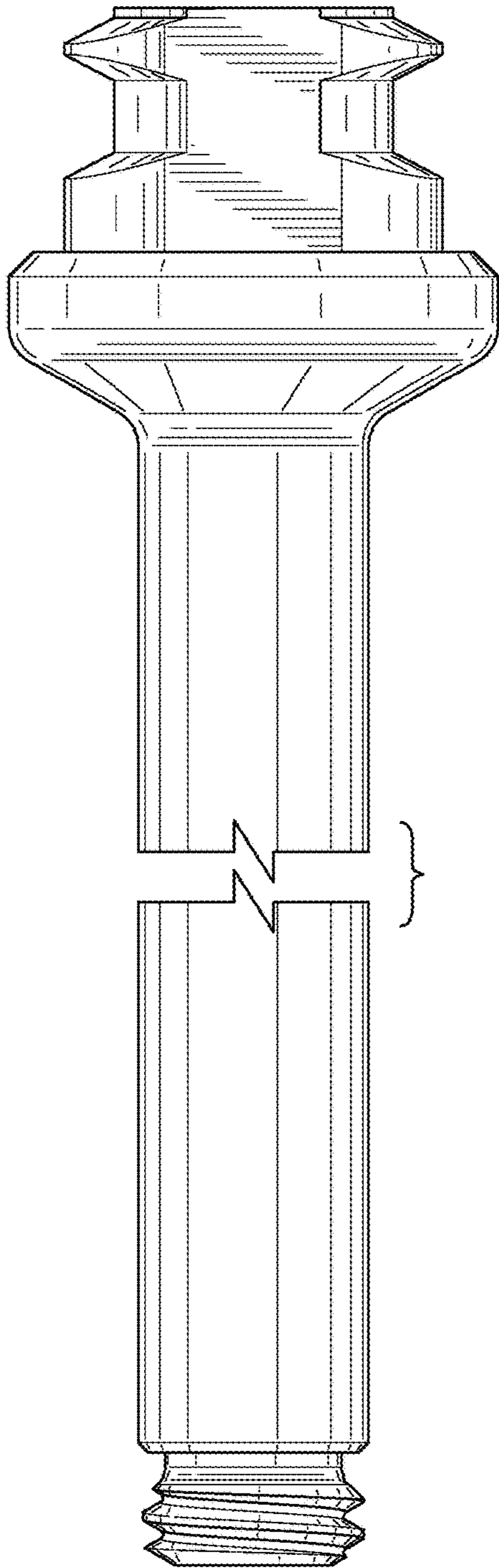


FIG. 13

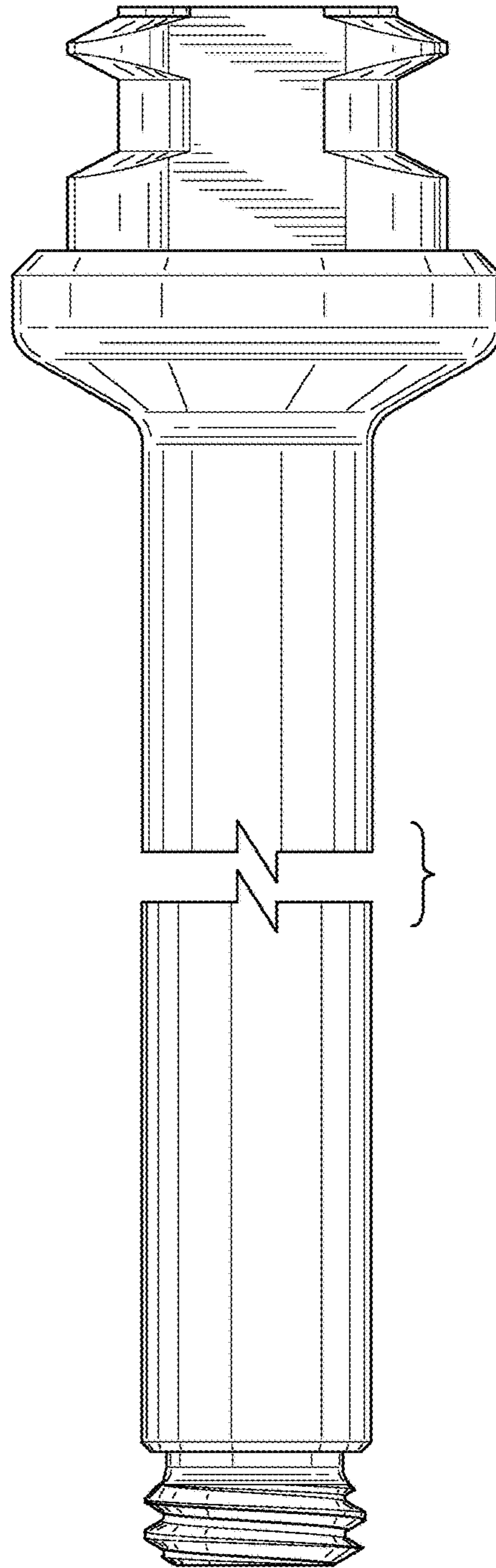


FIG. 14

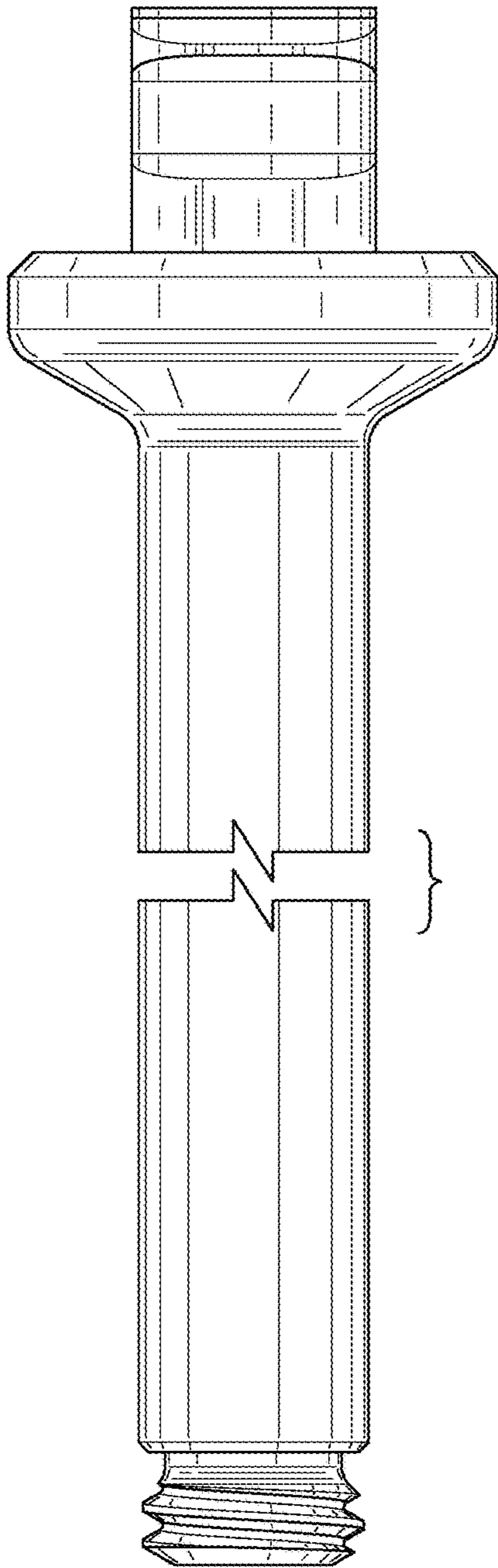


FIG. 15

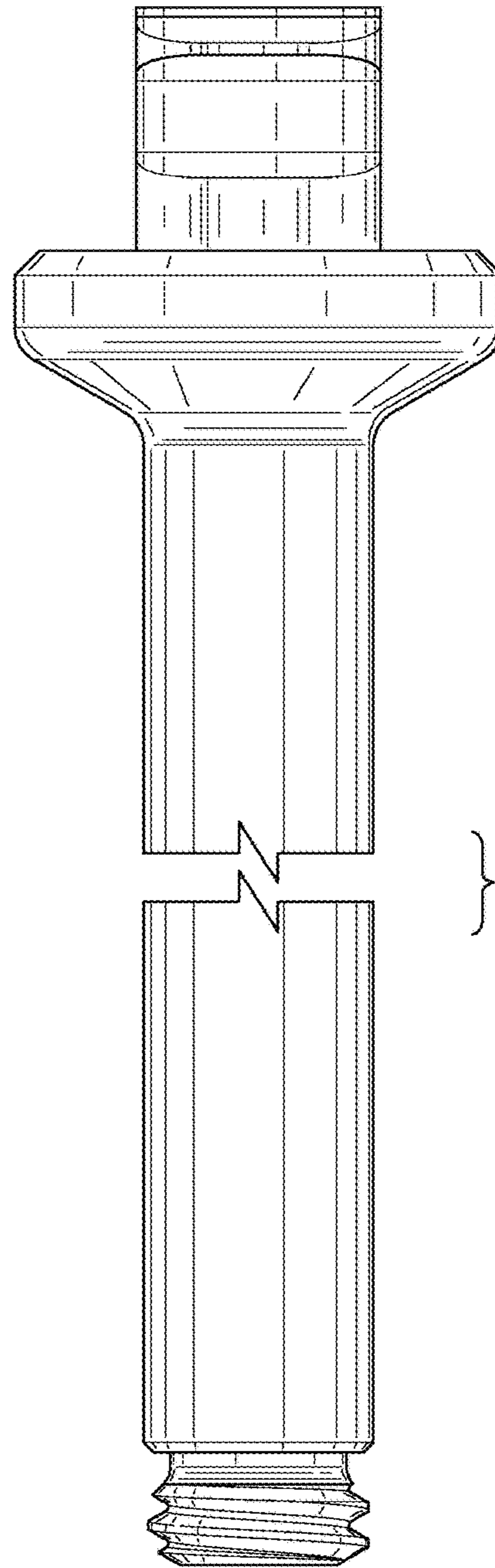


FIG. 16

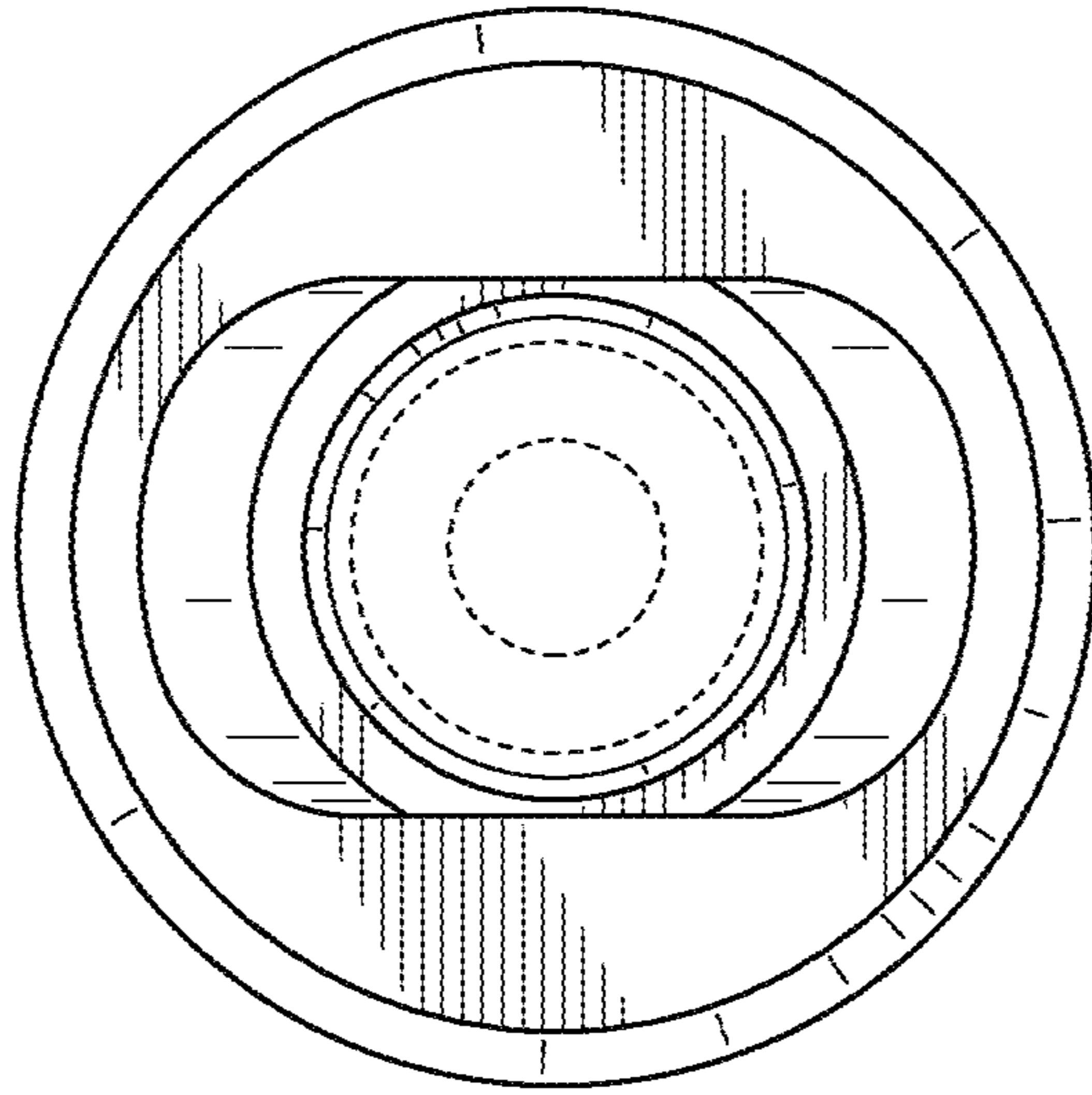


FIG. 17

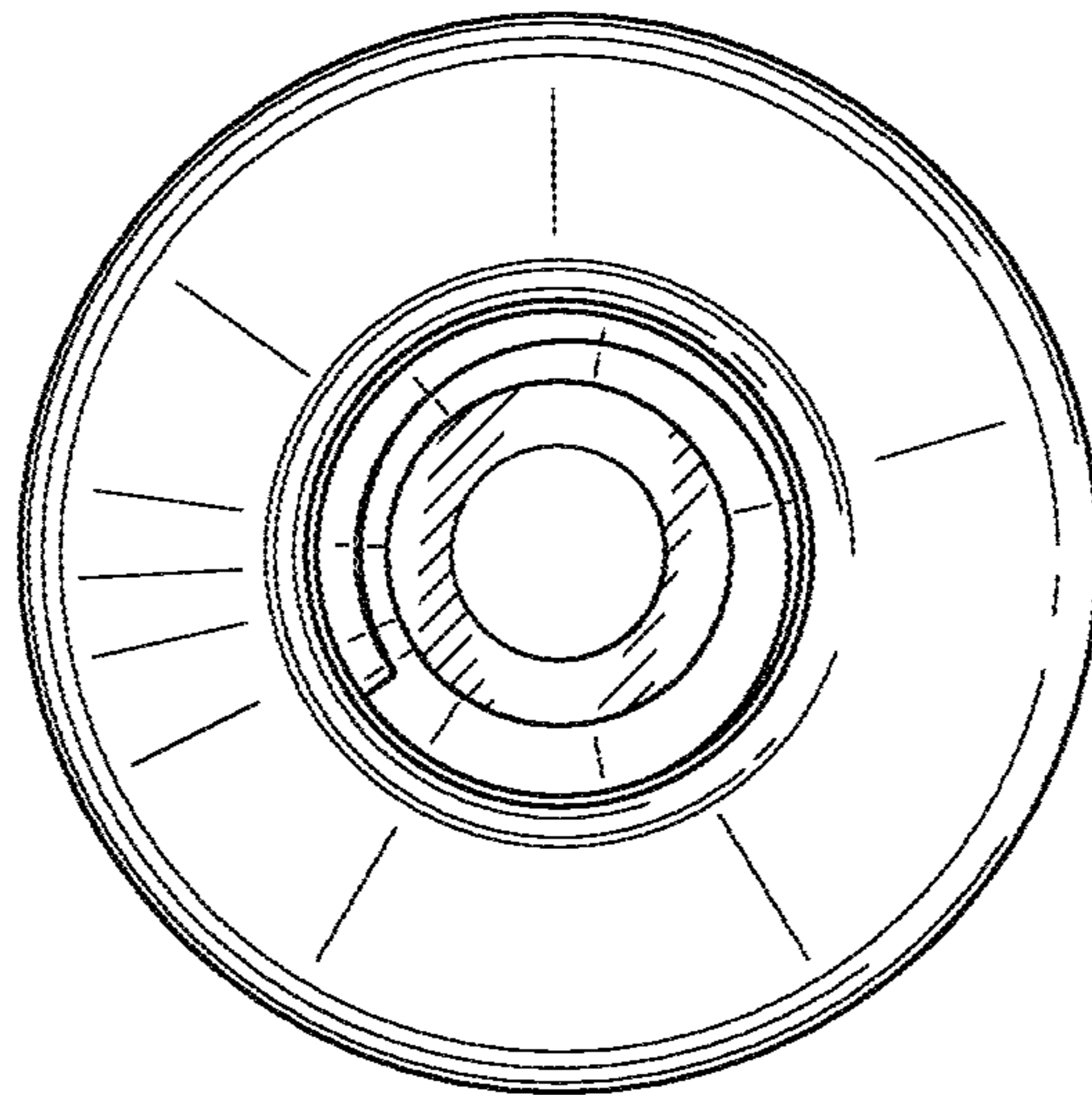


FIG. 18