



US00D830818S

(12) **United States Design Patent**
Hynek et al.

(10) **Patent No.:** **US D830,818 S**

(45) **Date of Patent:** **** Oct. 16, 2018**

- (54) **CORNER BRACKET**
- (71) Applicants: **Martin Hynek**, Plzen (CZ); **Antonin Max**, Plzen (CZ); **Jan Klepacek**, Line (CZ)
- (72) Inventors: **Martin Hynek**, Plzen (CZ); **Antonin Max**, Plzen (CZ); **Jan Klepacek**, Line (CZ)
- (73) Assignee: **UNIVERSITY OF WEST BOHEMIA**, Pilsen (CZ)
- (**) Term: **15 Years**
- (21) Appl. No.: **29/618,051**
- (22) Filed: **Sep. 19, 2017**
- (51) **LOC (11) Cl.** **08-08**
- (52) **U.S. Cl.**
USPC **D8/382**
- (58) **Field of Classification Search**
USPC D8/349, 354, 373, 380, 382
CPC A47B 47/0033; A47B 47/0008; A47B 47/005; F16B 12/40; F16B 12/44; F16B 12/46; F16B 12/50; Y10T 403/4602; Y10S 403/13
See application file for complete search history.

(56) **References Cited**

U.S. PATENT DOCUMENTS

- 2,904,360 A * 9/1959 Gamlen A47B 47/0008
312/140
- 2,956,705 A * 10/1960 Clingman A47B 47/0008
217/12 R
- 3,680,899 A * 8/1972 Newcomer F16B 12/46
248/188.1
- 3,883,257 A * 5/1975 Delafield A47B 47/0008
297/440.24

- 4,120,600 A * 10/1978 Rees F16B 12/46
403/231
- 5,003,741 A * 4/1991 Yeh A47B 47/0008
312/140
- 5,011,323 A * 4/1991 Liuo F16B 7/0446
403/172
- 5,904,437 A * 5/1999 Allen A47B 47/0008
403/170
- D418,047 S * 12/1999 Hirano D8/382
- 5,997,117 A * 12/1999 Krietzman H02B 1/301
312/265.4
- D431,454 S * 10/2000 Krupinski D8/382
- D439,501 S * 3/2001 Benz D8/354
- 6,527,236 B1 * 3/2003 Situ A47B 57/26
248/220.1
- D476,880 S * 7/2003 Segall D8/382
- D673,029 S * 12/2012 Apestegua Martinez D8/349
- D688,115 S * 8/2013 Wiegmann D8/349
- D720,608 S * 1/2015 Yamaguchi D8/382
- 2002/0104161 A1 * 8/2002 Kuo A47D 13/06
5/93.1

(Continued)

Primary Examiner — Sandra S Snapp

Assistant Examiner — Ieisha N Price

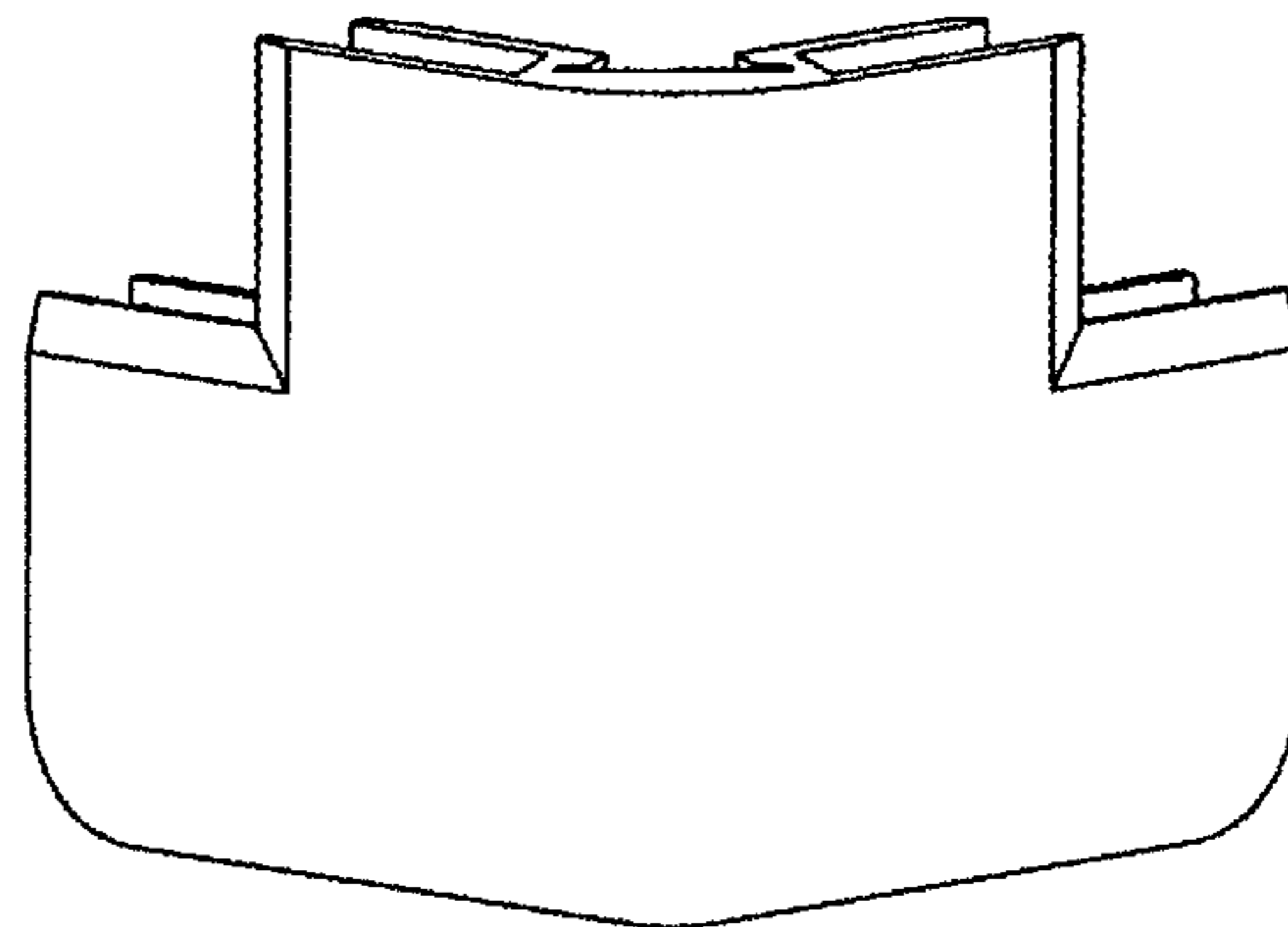
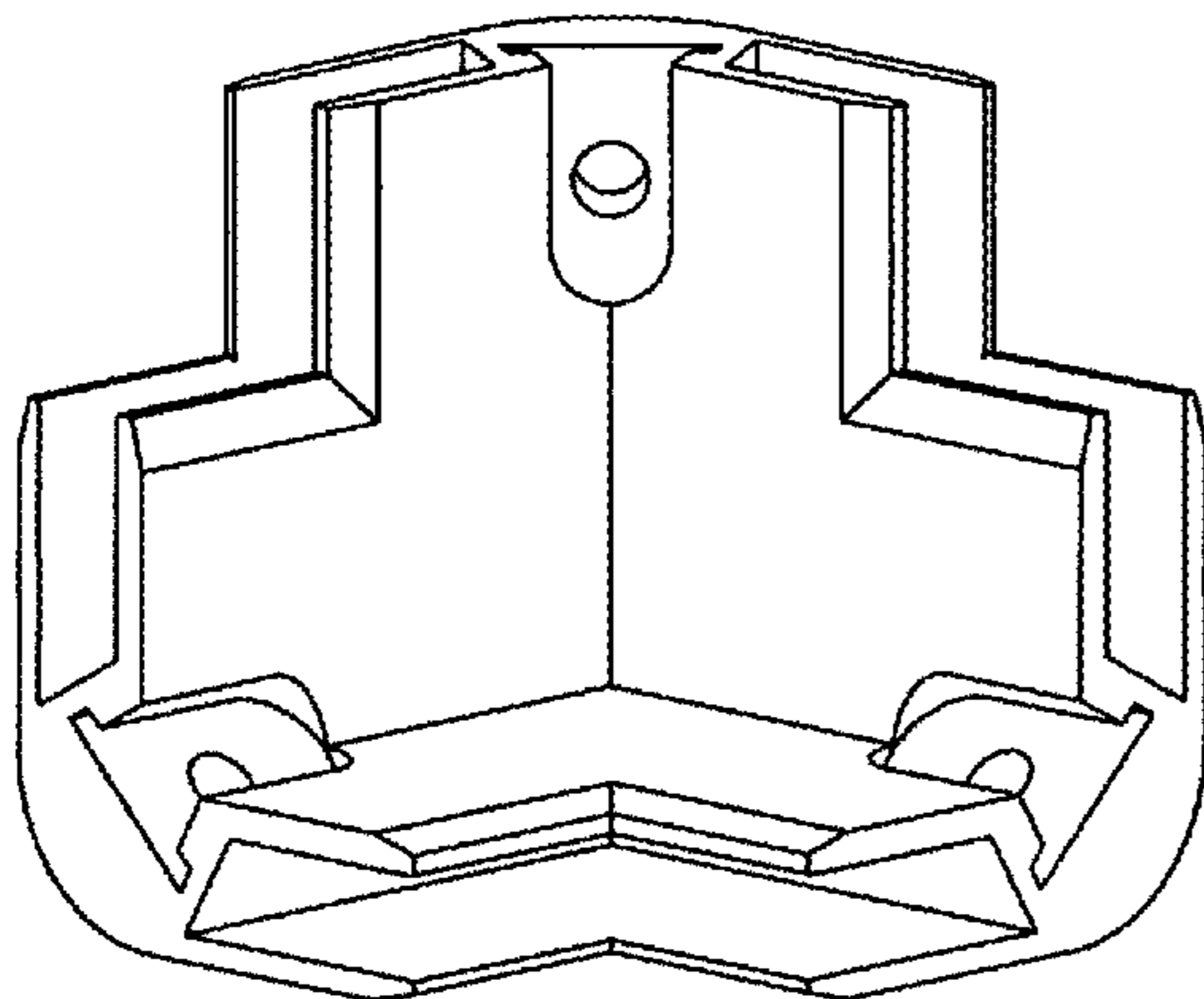
(57) **CLAIM**

The ornamental design for a corner bracket, as shown and described.

DESCRIPTION

FIG. 1 is a top, front, right perspective view of a corner bracket showing my new design;
 FIG. 2 is a top, rear, left perspective thereof;
 FIG. 3 is a bottom, rear, left perspective thereof;
 FIG. 4 is a front elevational view thereof, the right elevational view is a mirror image of the front elevational view;
 FIG. 5 is a left elevational view thereof, the rear elevational view and bottom plan view are mirror images of the left elevational view; and,
 FIG. 6 is a top plan view thereof.

1 Claim, 2 Drawing Sheets



(56)

References Cited

U.S. PATENT DOCUMENTS

2007/0052333 A1* 3/2007 Freire A47B 47/005
312/265.4
2007/0227994 A1* 10/2007 Cho A47B 47/005
211/188
2013/0069501 A1* 3/2013 Liu H05K 7/18
312/223.1
2015/0076099 A1* 3/2015 Chang A47B 47/0016
211/186
2015/0250307 A1* 9/2015 Chen A47B 47/0033
211/189

* cited by examiner

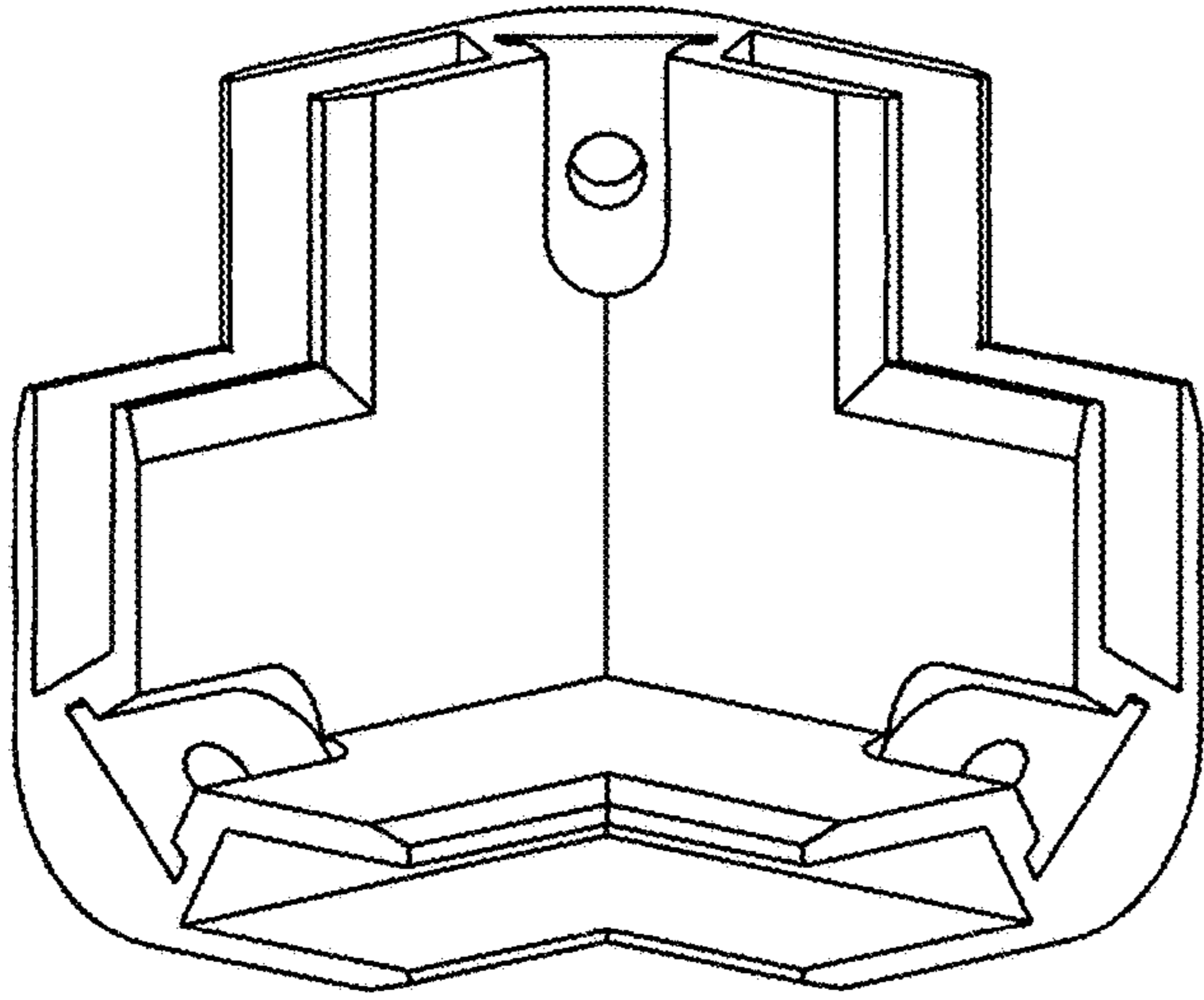


FIG. 1

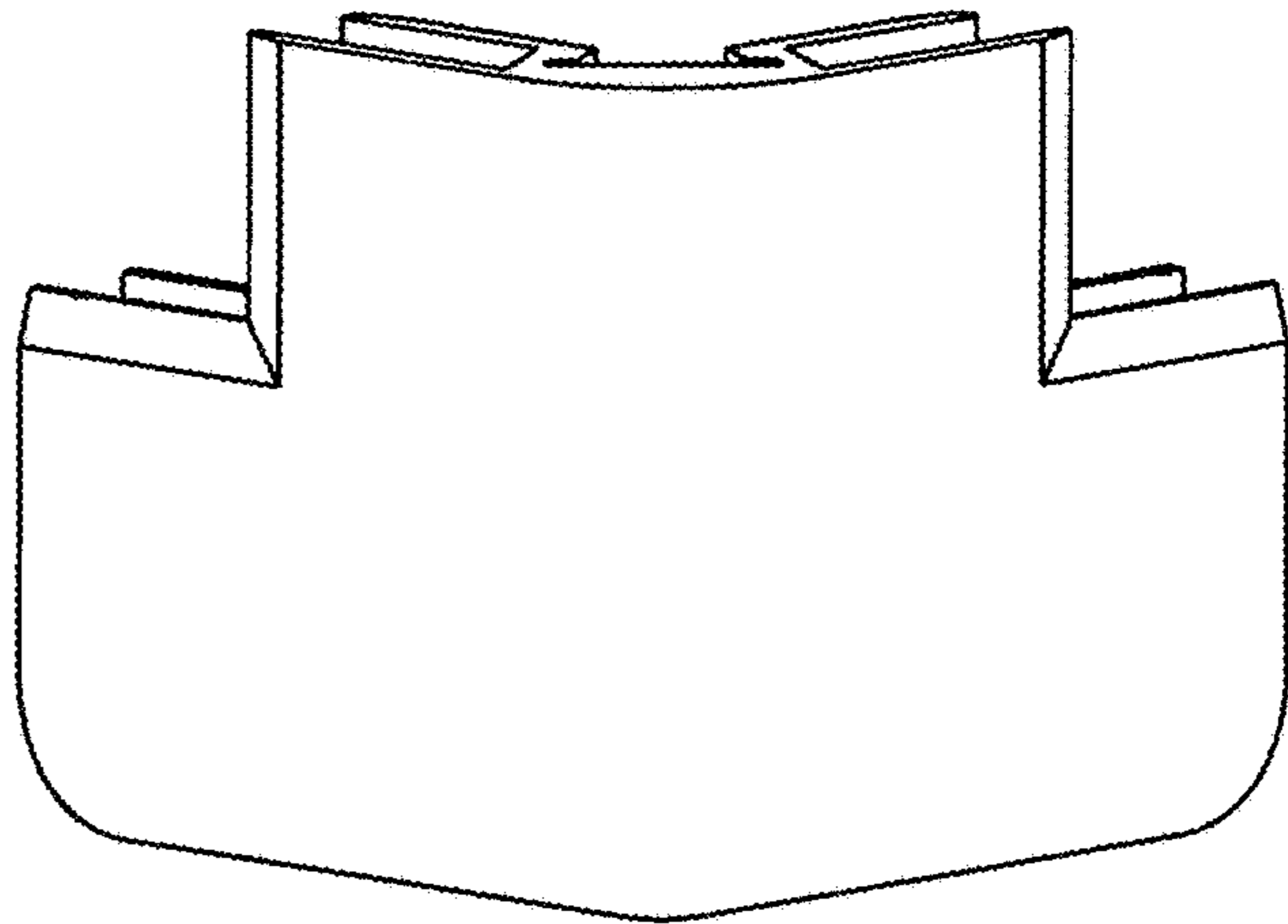


FIG. 2

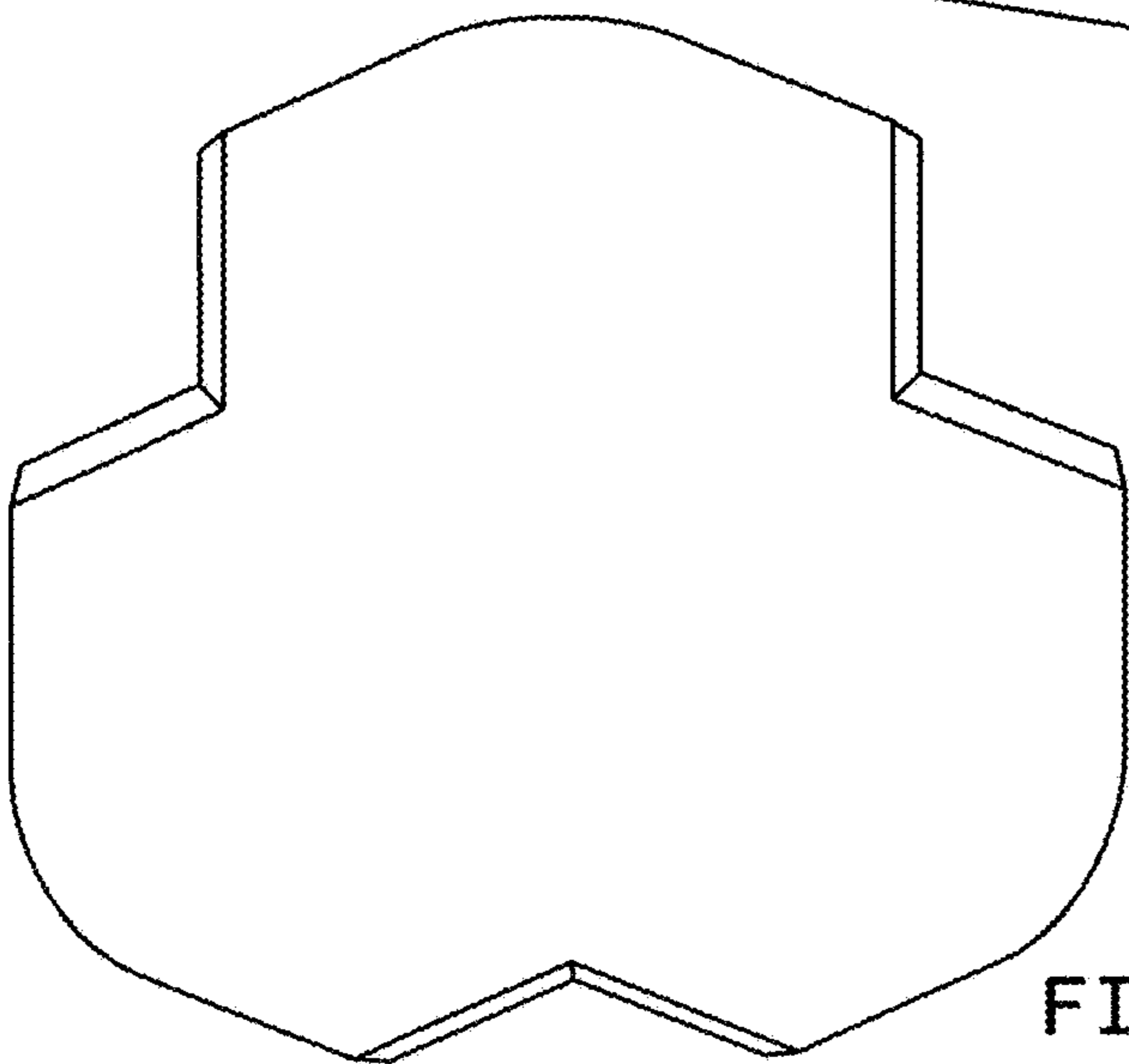


FIG. 3

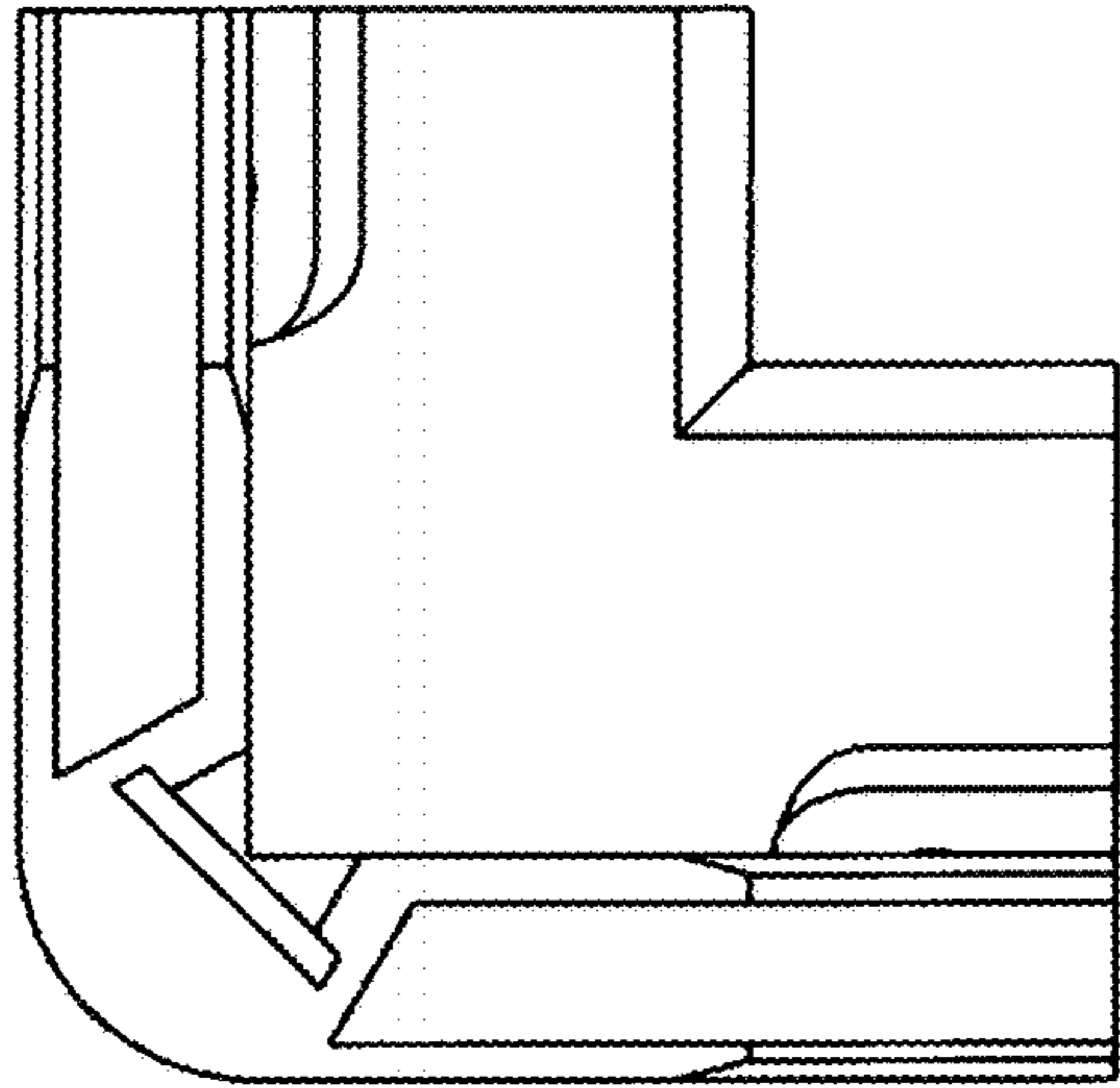


FIG. 4

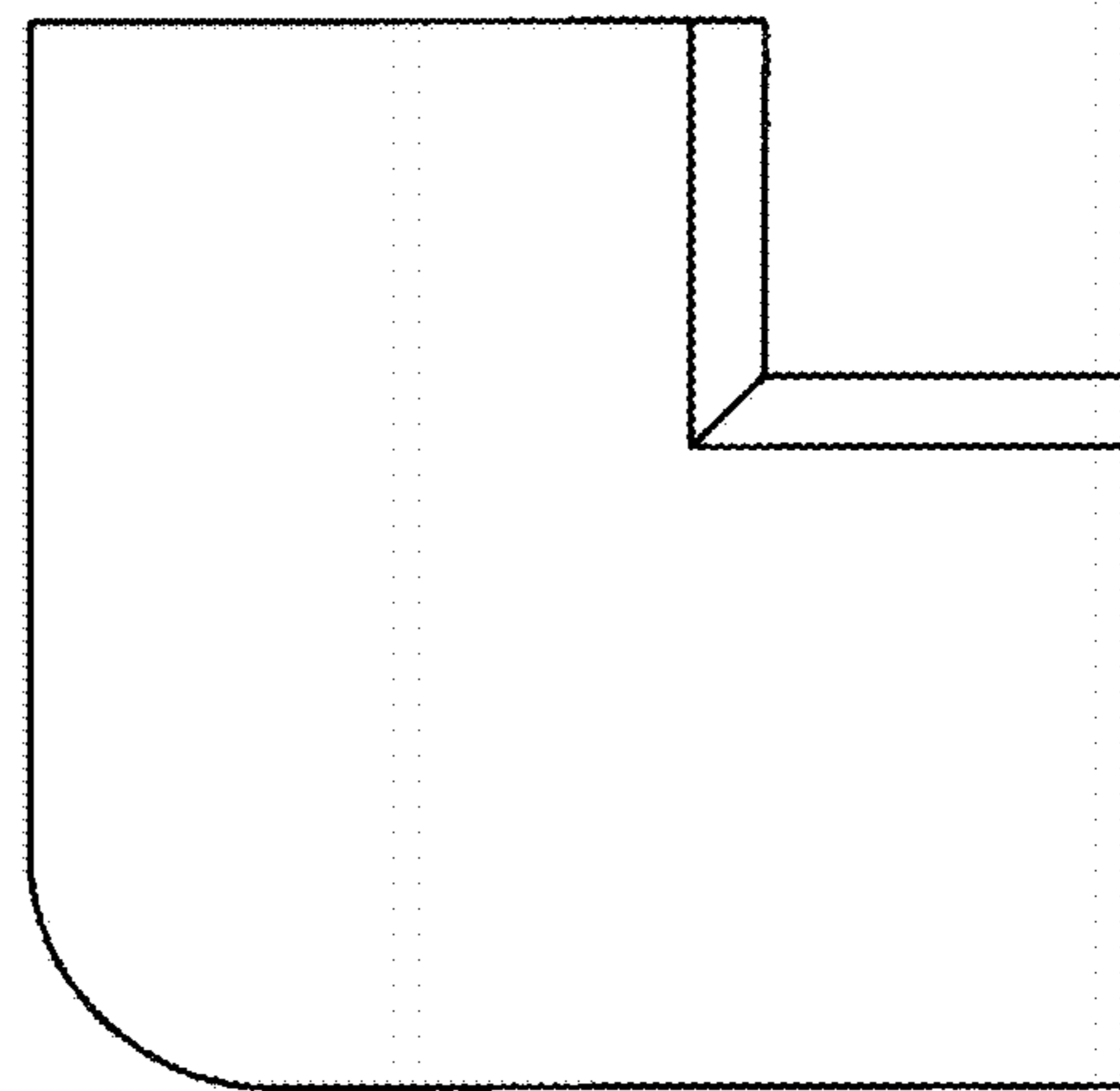


FIG. 5

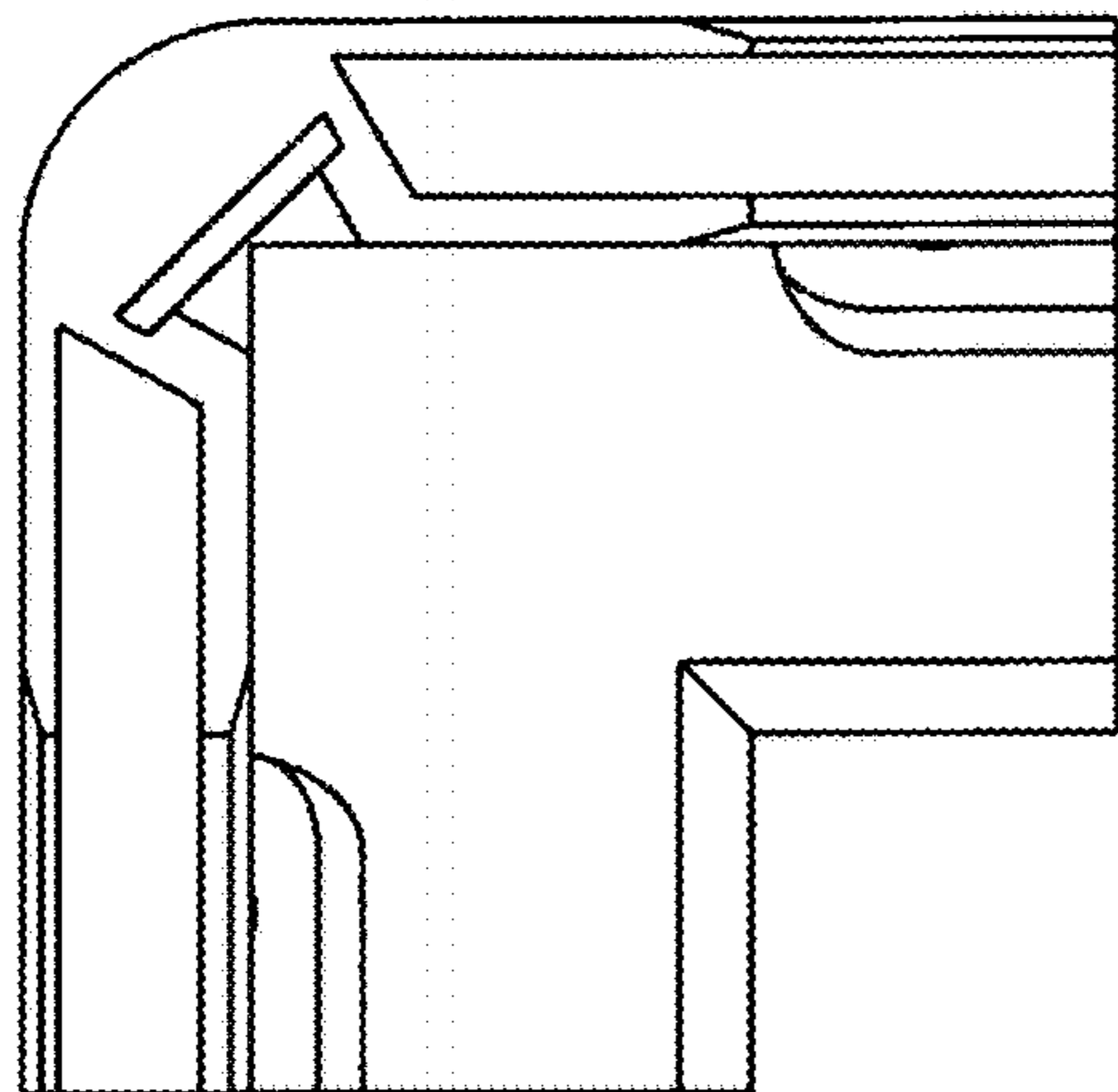


FIG. 6