



US00D830817S

(12) **United States Design Patent** (10) **Patent No.:** **US D830,817 S**
MacDonald et al. (45) **Date of Patent:** **** Oct. 16, 2018**

- (54) **TRACK BOLT**
- (71) Applicant: **Faun Trackway Limited**, Llangefni, Isle of Anglesey, North Wales (GB)
- (72) Inventors: **Neil MacDonald**, Llangefni (GB); **Paul Godridge**, Llangefni (GB); **Gareth Williams**, Llangefni (GB)
- (73) Assignee: **FAUN TRACKWAY LIMITED**, Isle of Anglesey, North Wales (GB)
- (**) Term: **15 Years**
- (21) Appl. No.: **29/578,678**
- (22) Filed: **Sep. 23, 2016**
- (51) **LOC (11) Cl.** **08-08**
- (52) **U.S. Cl.**
USPC **D8/382**
- (58) **Field of Classification Search**
USPC D8/349, 354, 374, 382, 387, 371, 499
CPC F16B 19/00; F16B 19/002; F16B 19/004; F16B 2019/006; F16B 19/02; B62D 55/205; B62D 55/21; B62D 55/211; B62D 55/213; B62D 55/215; B62D 33/044
- See application file for complete search history.

- (56) **References Cited**
- U.S. PATENT DOCUMENTS
- 1,469,001 A * 9/1923 Gentry B62D 55/205
305/202
- D187,884 S * 5/1960 Hillbergle 249/219.2
- 3,092,423 A * 6/1963 Speidel, Jr. B62D 55/205
305/106
- D234,283 S * 2/1975 Rockliff D6/323
- D239,258 S * 3/1976 Faul D8/382
- D253,737 S * 12/1979 Brink D6/552
- D254,943 S * 5/1980 Hepworth D6/323

- 4,435,022 A * 3/1984 Whitelaw B62D 55/205
305/202
- 4,458,387 A * 7/1984 Pearson A47C 31/02
24/101 B
- 4,626,046 A * 12/1986 Collins, Jr. B62D 55/211
305/159
- D316,664 S * 5/1991 Tull D12/317
- D345,904 S * 4/1994 Sauber D8/354
- D356,729 S * 3/1995 Kassouni D8/387
- D371,483 S * 7/1996 Haarmeyer D6/520
- 6,203,127 B1 * 3/2001 Chapman B62D 55/04
305/114
- D485,160 S * 1/2004 Pelc E04F 15/04
D8/382
- D553,484 S * 10/2007 Westphal D8/382
- D553,967 S * 10/2007 Westphal D8/382
- D602,771 S * 10/2009 VanElverdinghe D8/382
- D615,847 S * 5/2010 Tezak D8/349
- D724,421 S * 3/2015 Lorenz D8/382
- D747,954 S * 1/2016 Maeda D8/354
- 2010/0270857 A1 * 10/2010 Sturmon B62D 55/211
305/203

(Continued)

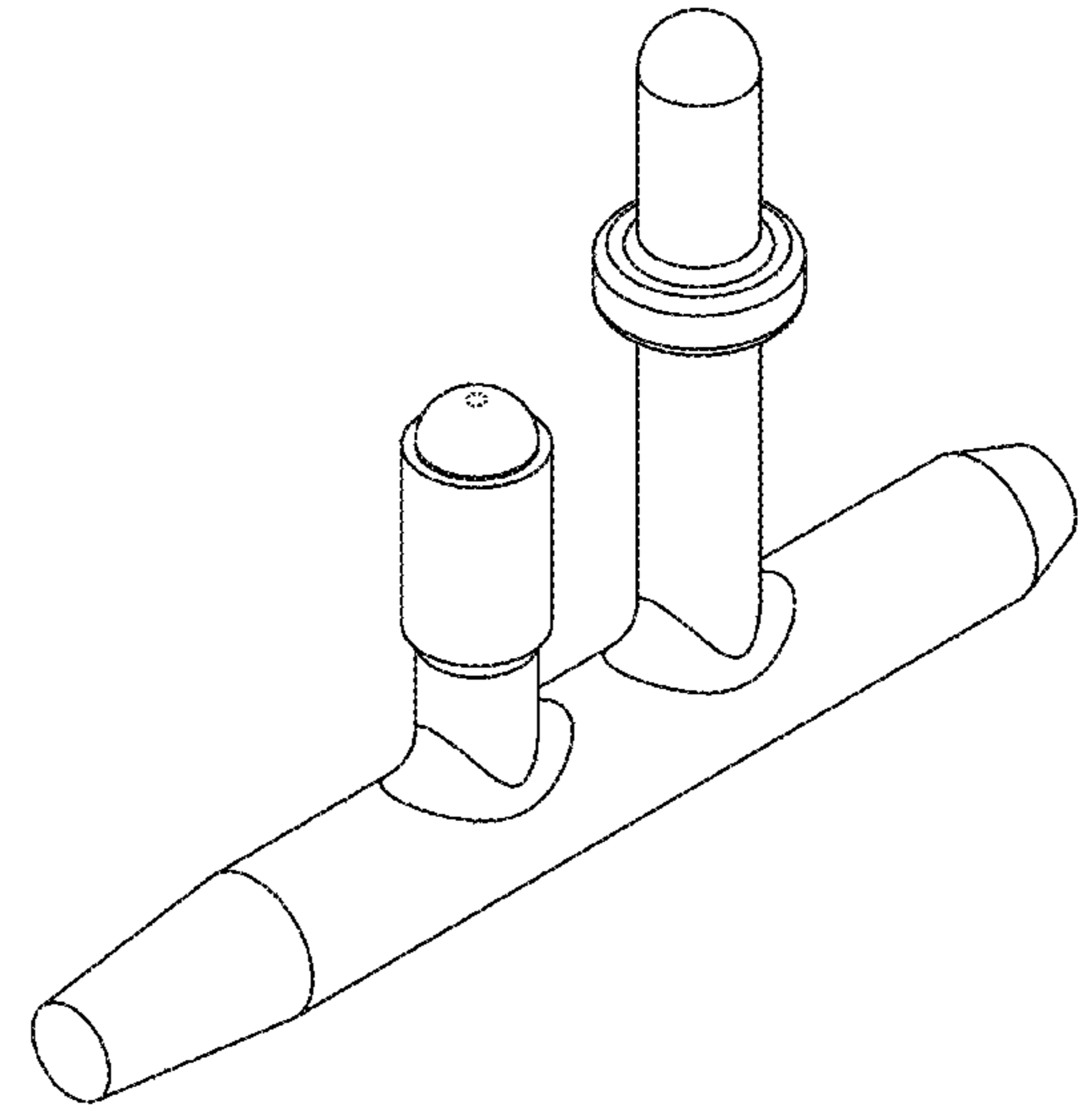
Primary Examiner — Sandra S Snapp
Assistant Examiner — Ieisha N Price
 (74) *Attorney, Agent, or Firm* — King & Schickli, PLLC

(57) **CLAIM**
 The ornamental design for a track bolt, as shown and described.

DESCRIPTION

FIG. 1 is a front view of the design;
 FIG. 2 is a left view of the design;
 FIG. 3 is a right view of the design;
 FIG. 4 is a bottom view of the design;
 FIG. 5 is an isometric view of the design;
 FIG. 6 is a rear view of the design; and,
 FIG. 7 is a top view of the design.
 The broken lines in the drawings illustrate portions of the track bolt and form no part of the claimed design.

1 Claim, 6 Drawing Sheets



(56)

References Cited

U.S. PATENT DOCUMENTS

2013/0119077 A1* 5/2013 Elsasser B29C 49/0047
220/694
2015/0375816 A1* 12/2015 Ramaiyan B62D 55/32
29/283

* cited by examiner

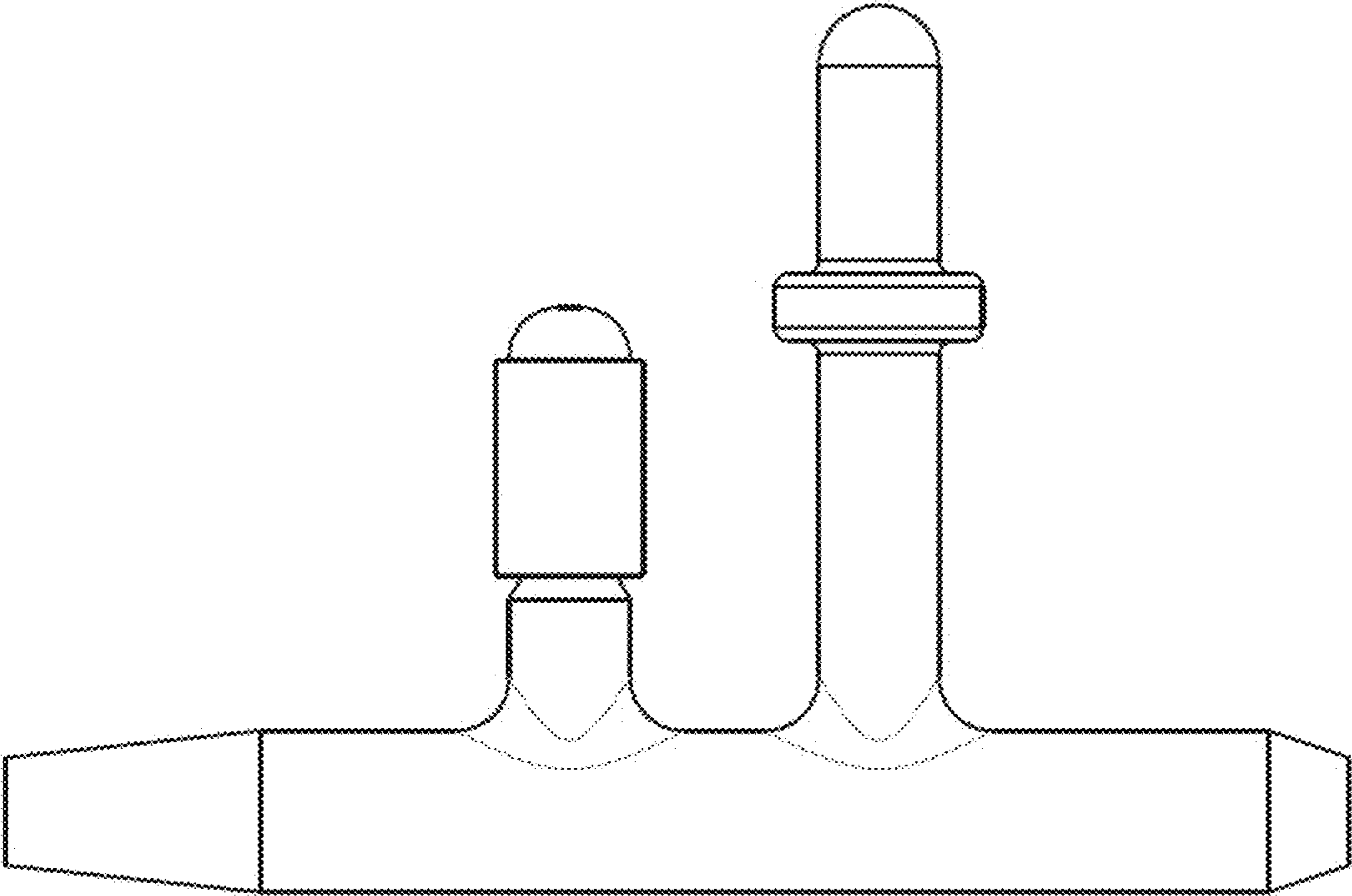


Fig. 1

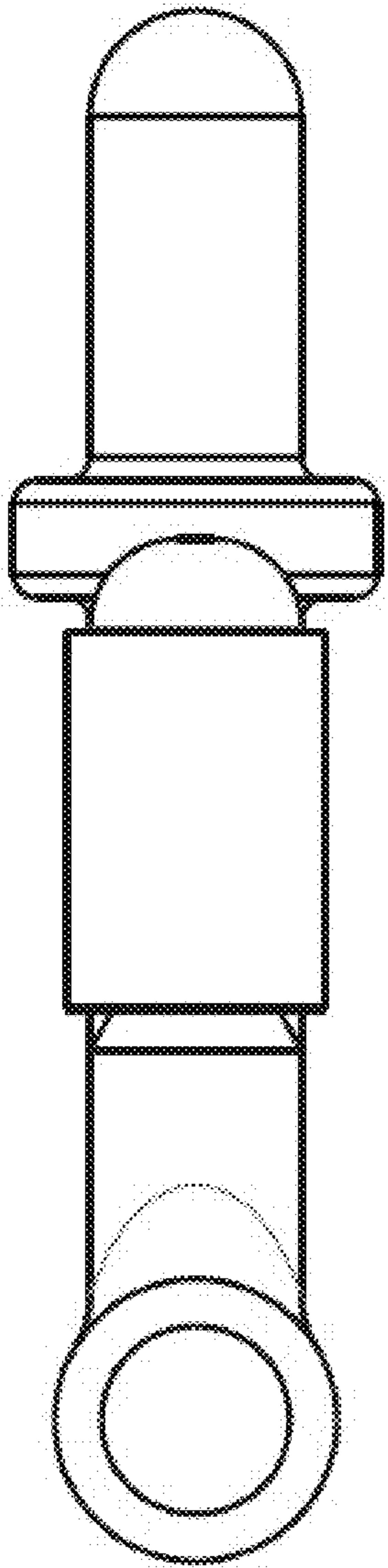


Fig. 2

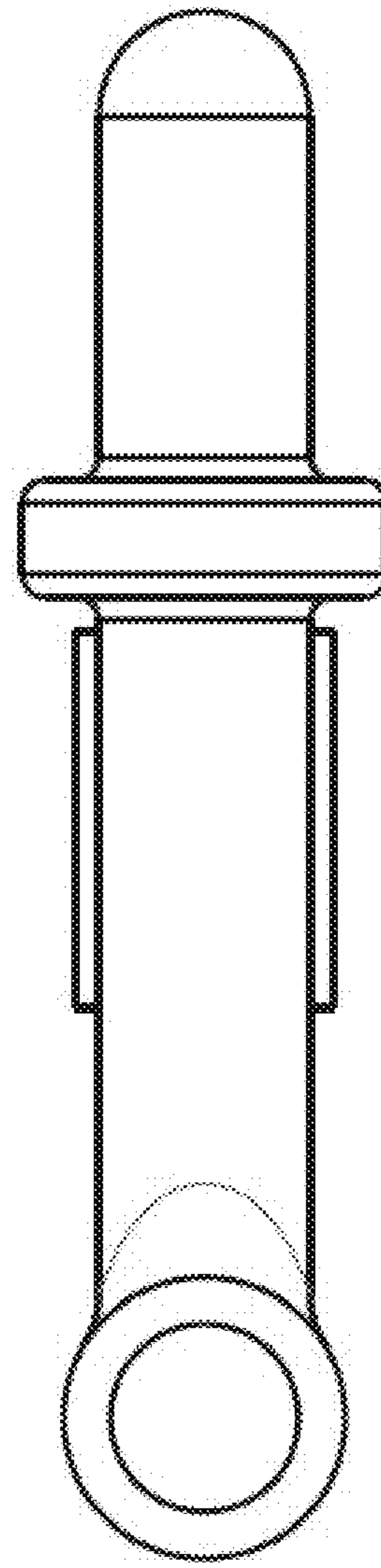


Fig. 3

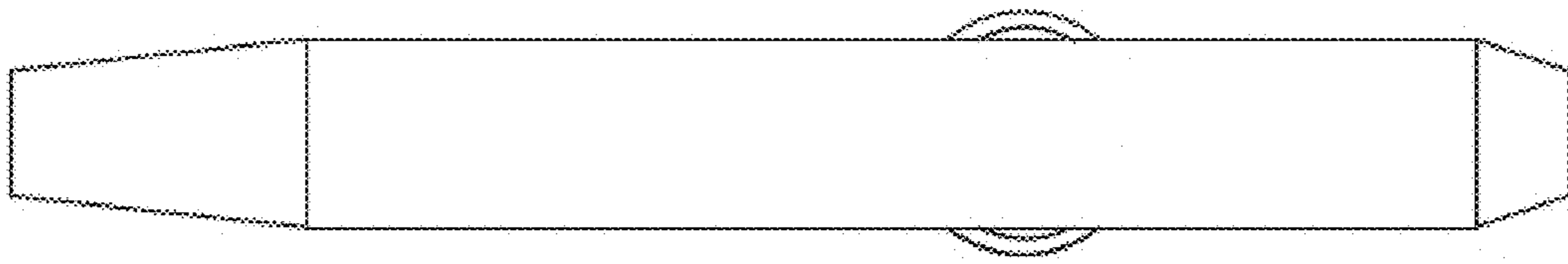


Fig. 4

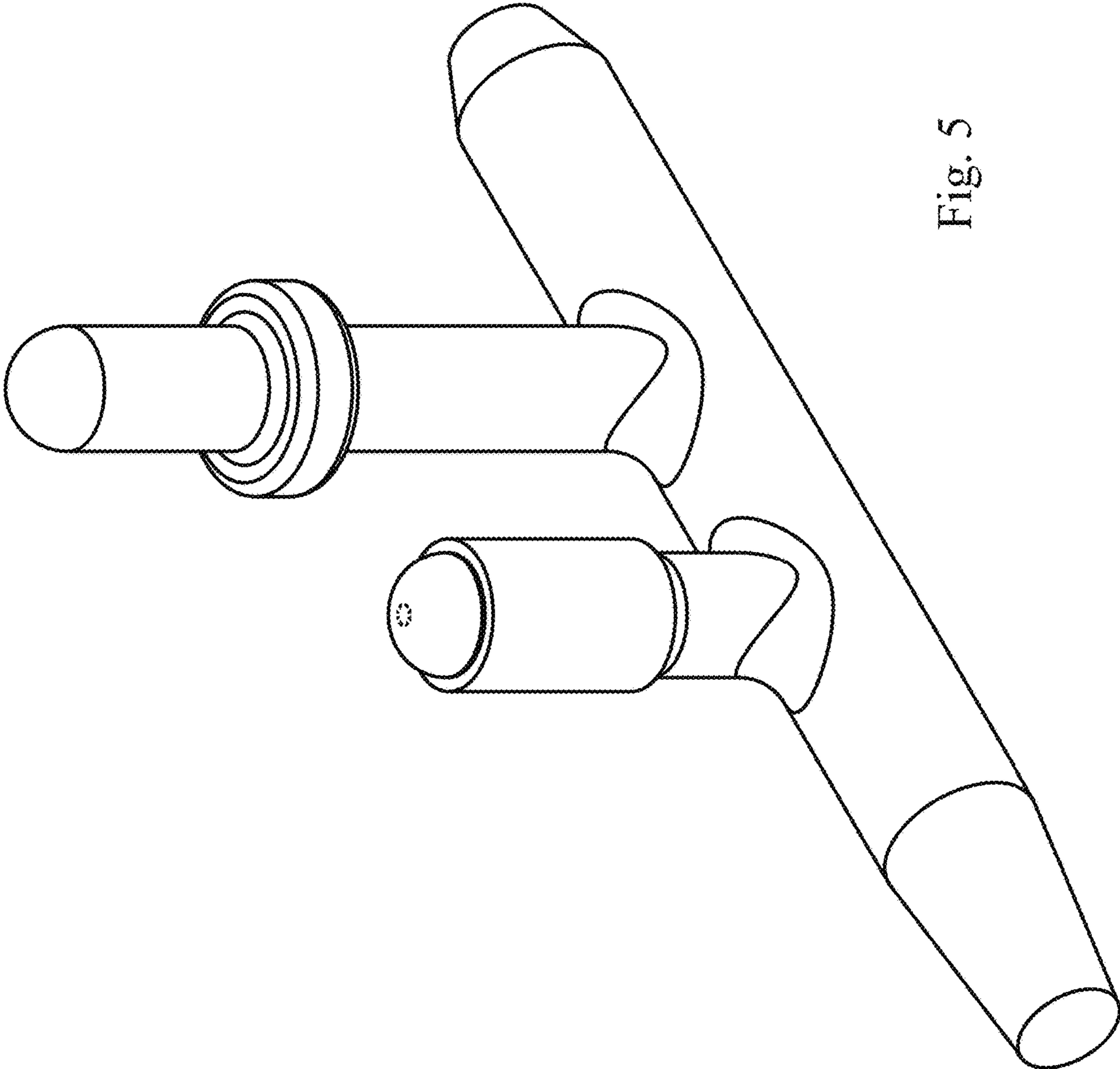


Fig. 5

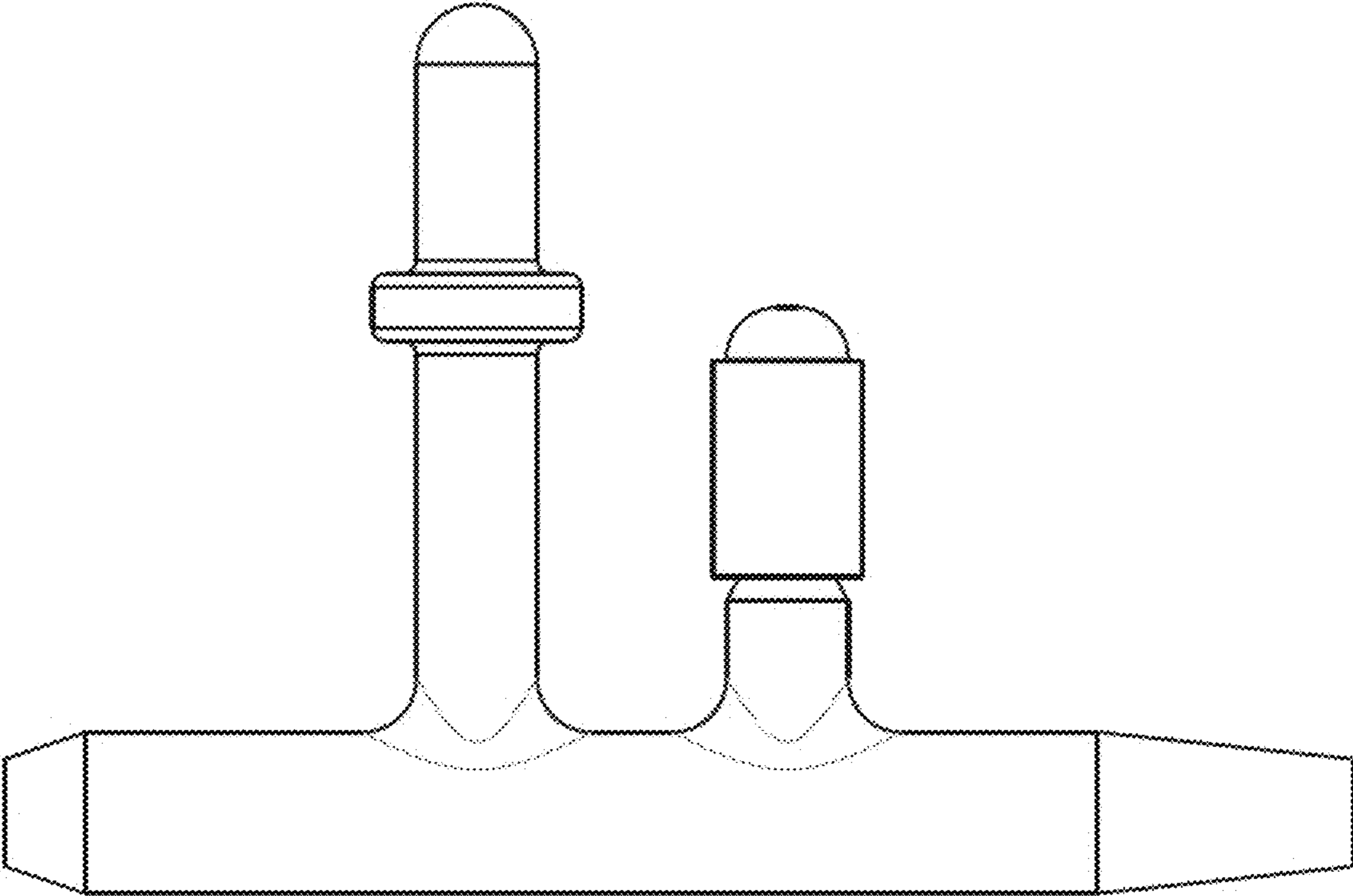


Fig. 6

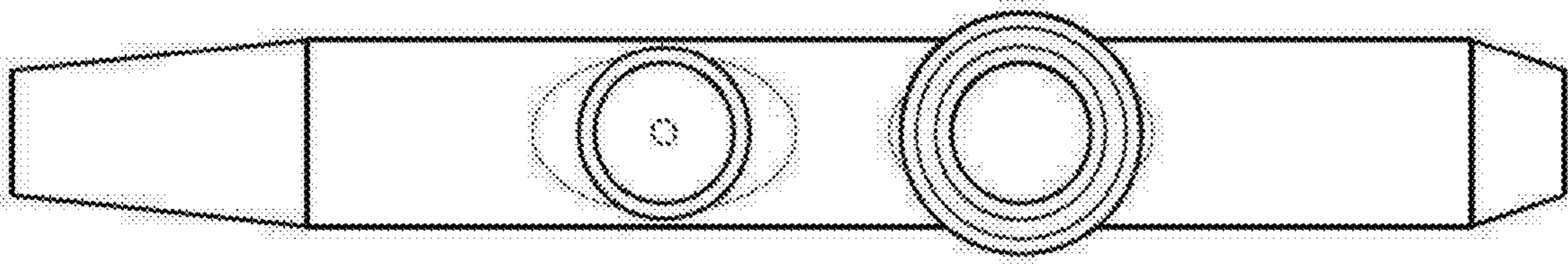


Fig. 7