



US00D830816S

(12) **United States Design Patent**
Chan

(10) **Patent No.:** **US D830,816 S**

(45) **Date of Patent:** **** Oct. 16, 2018**

(54) **CASTER FORK**

(71) Applicant: **Kin-Wang Chan**, Hong Kong (HK)

(72) Inventor: **Kin-Wang Chan**, Hong Kong (HK)

(**) Term: **15 Years**

(21) Appl. No.: **29/609,414**

(22) Filed: **Jun. 30, 2017**

(51) **LOC (11) Cl.** **08-09**

(52) **U.S. Cl.**
USPC **D8/375**

(58) **Field of Classification Search**

USPC D6/334, 336, 406.1, 641, 716.7; D8/375;
D34/19, 20, 21

CPC . B60G 2400/05146; B62B 1/10; B62B 1/264;
B62B 1/14; Y10T 16/18; B25G 1/08;
B25G 1/10

See application file for complete search history.

(56) **References Cited**

U.S. PATENT DOCUMENTS

D5,148 S *	8/1871	Haven	D8/375
D218,142 S *	7/1970	Forman	D8/375
3,751,758 A *	8/1973	Higbee	B60B 33/02 16/35 R
D229,609 S *	12/1973	Tacke et al.	D8/375
D253,163 S *	10/1979	Goff	D8/375
D343,787 S *	2/1994	Finkeldey	D8/375
D409,900 S *	5/1999	Simons	D8/375
D469,002 S *	1/2003	McCord	D8/374
D603,690 S *	11/2009	Rhein	D8/375
D733,541 S *	7/2015	Fan	D8/375
2002/0189051 A1 *	12/2002	Holbrook	B60B 33/0002 16/18 R
2017/0253081 A1 *	9/2017	Bleau	B60B 33/0068

OTHER PUBLICATIONS

TiLite casters, posted unknown, [retrieved Jun. 22, 2018]. Retrieved from Internet, <URL: <http://www.londonmobilityretail.co.uk/images/pdfs/249/293852001.pdf> >.*

3MNGQS 3" Swivel Nylon Plate Caster, TPR Wheel, posted unknown, [retrieved Jun. 22, 2018]. Retrieved from Internet, <URL: <https://www.accesscasters.com/3mngqs-3-swivel-nylon-caster-tpw-wheel.aspx> >.*

Supo 125mm Heavy Duty Polyurethane with Single Ball Bearing Nylon Fork Fix Caster Wheel Industrial Furniture Caster (Pack of 1), posted unknown, [retrieved Jun. 22, 2018]. Retrieved from Internet, <URL: <https://www.flipkart.com/supo-125mm-heavy-duty-polyurethane-single-ball-bearing-nylon-fork-fix-caster-wheel-indus> >.*

* cited by examiner

Primary Examiner — Barbara Fox

Assistant Examiner — Kristin E Reed

(74) *Attorney, Agent, or Firm* — Rosenberg, Klein & Lee

(57) **CLAIM**

The ornamental design for a caster fork, as shown and described.

DESCRIPTION

FIG. 1 is a perspective view of a caster fork showing my new design;

FIG. 2 is a front elevational view thereof;

FIG. 3 is a rear elevational view thereof;

FIG. 4 is a left side elevational view thereof;

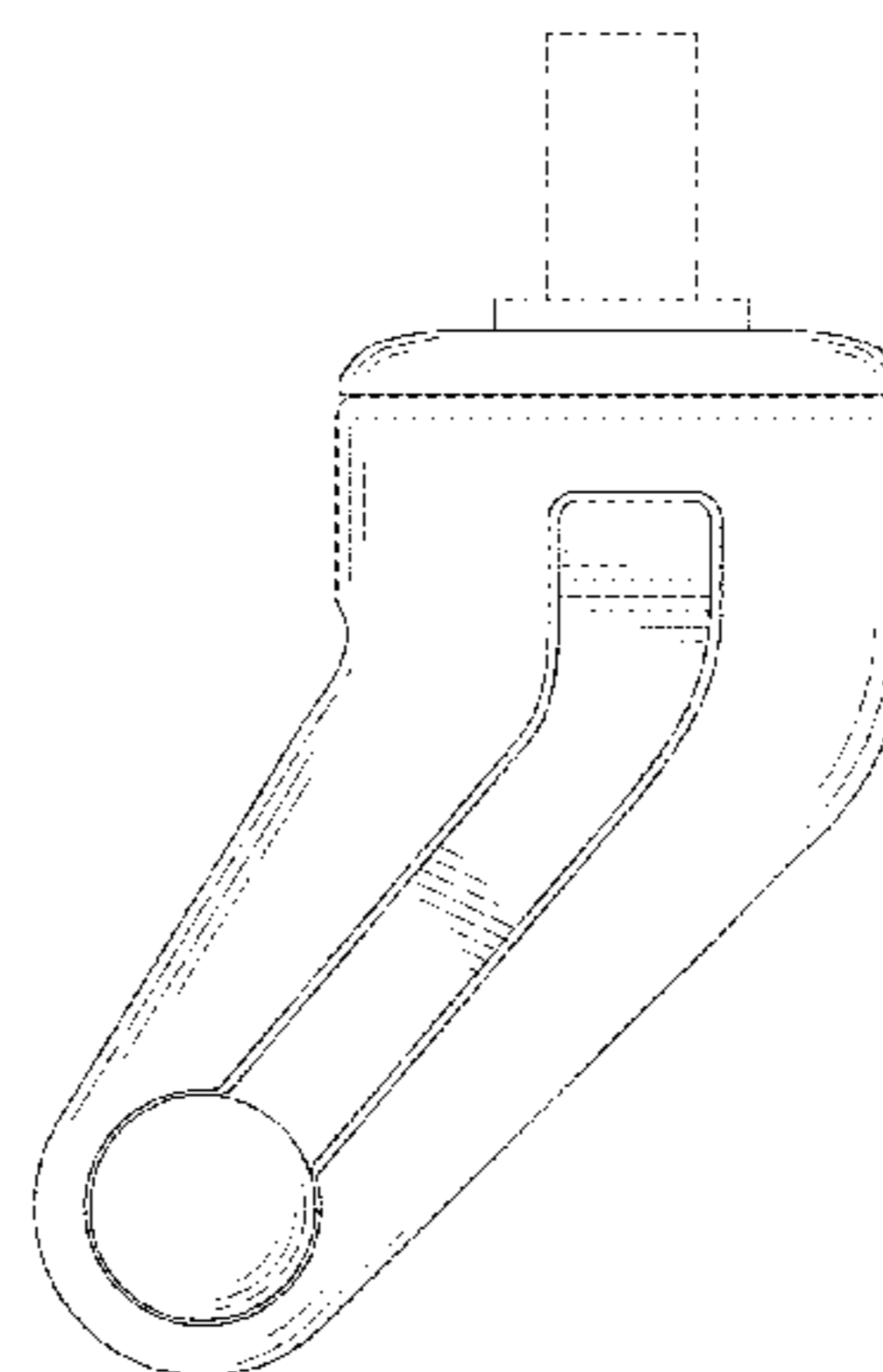
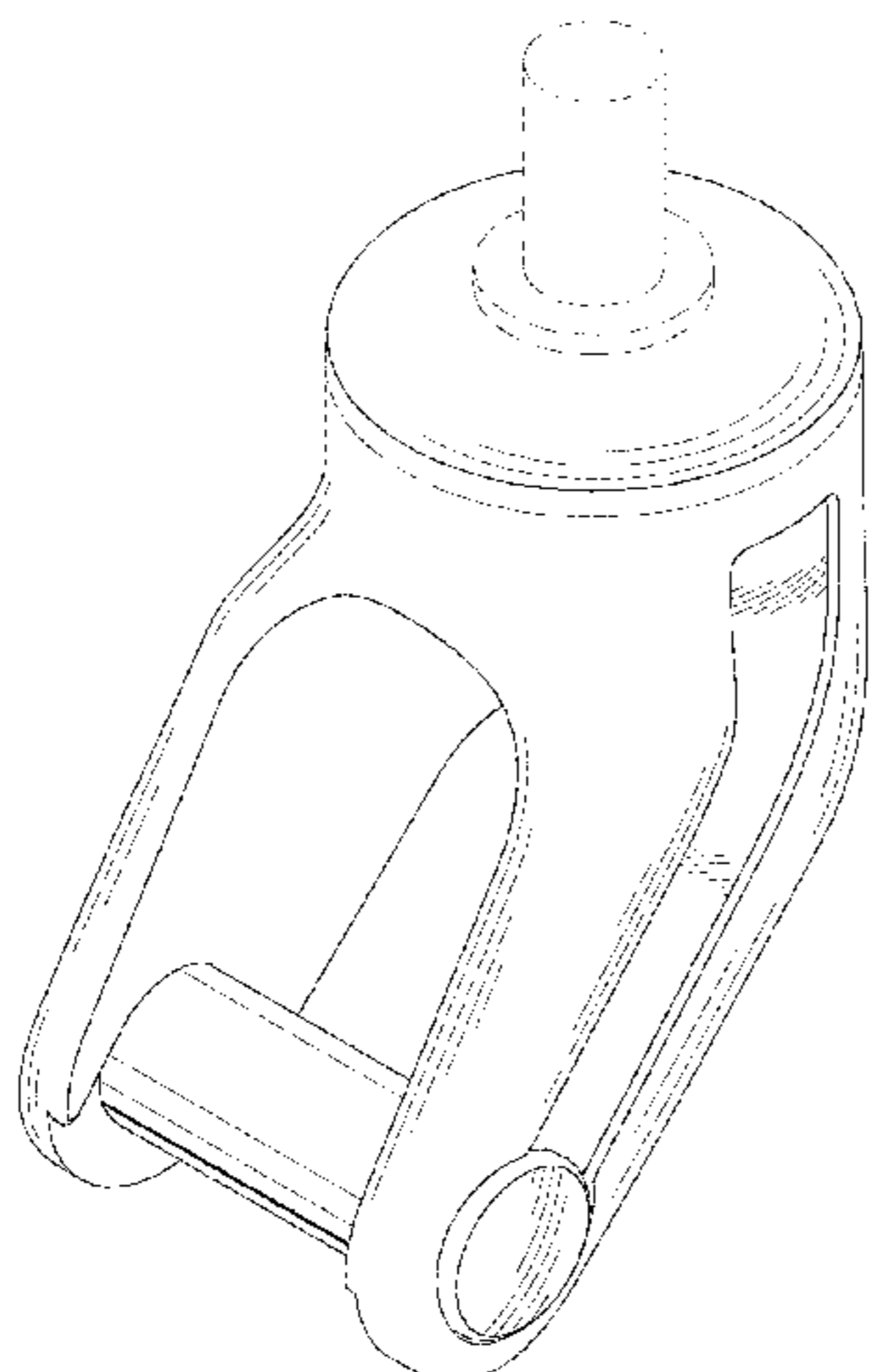
FIG. 5 is a right side elevational view thereof;

FIG. 6 is a top plan view thereof; and,

FIG. 7 is a bottom plan view thereof.

The broken lines shown in the figures depict portions of the caster fork that form no part of the claimed design.

1 Claim, 7 Drawing Sheets



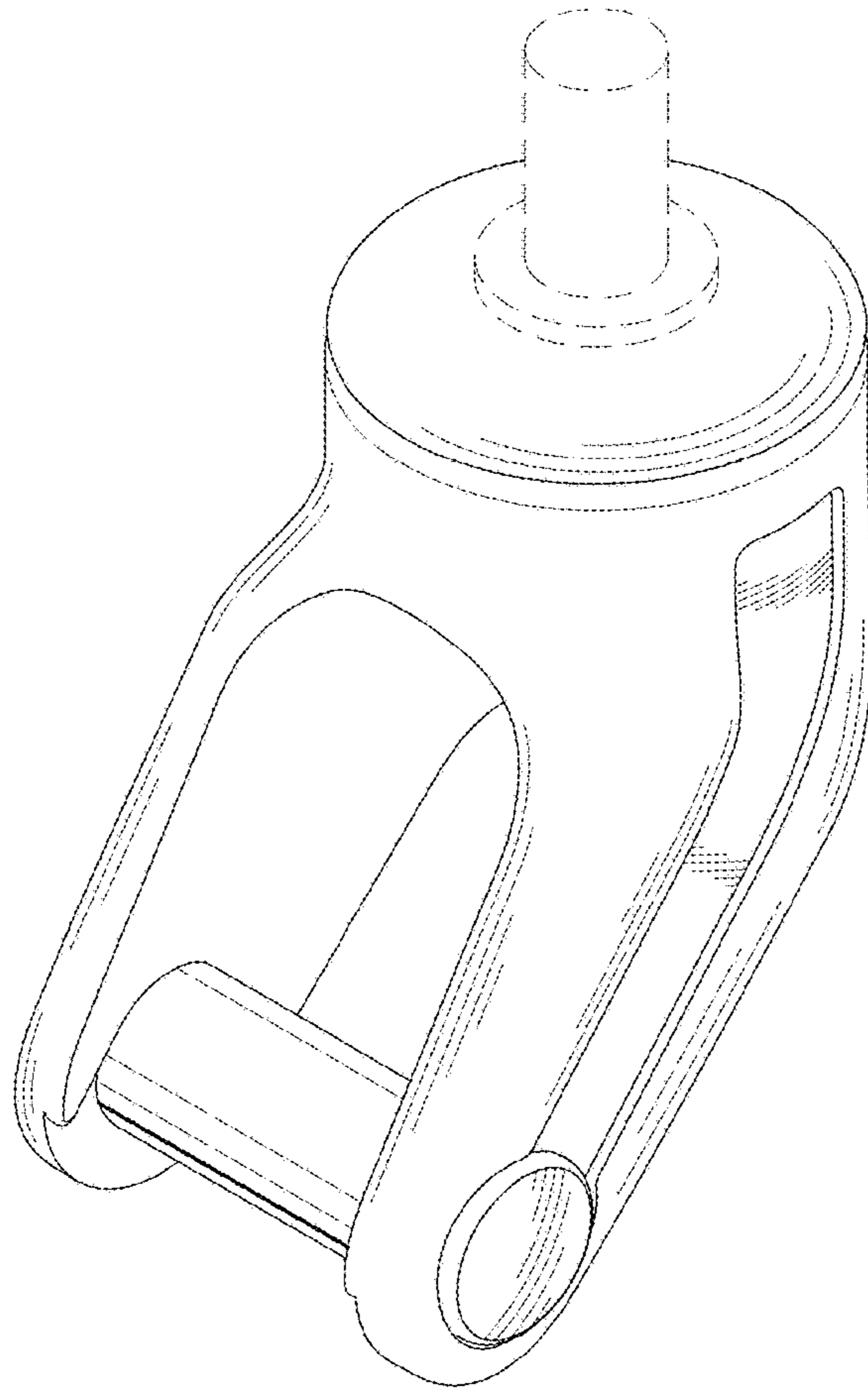


FIG. 1

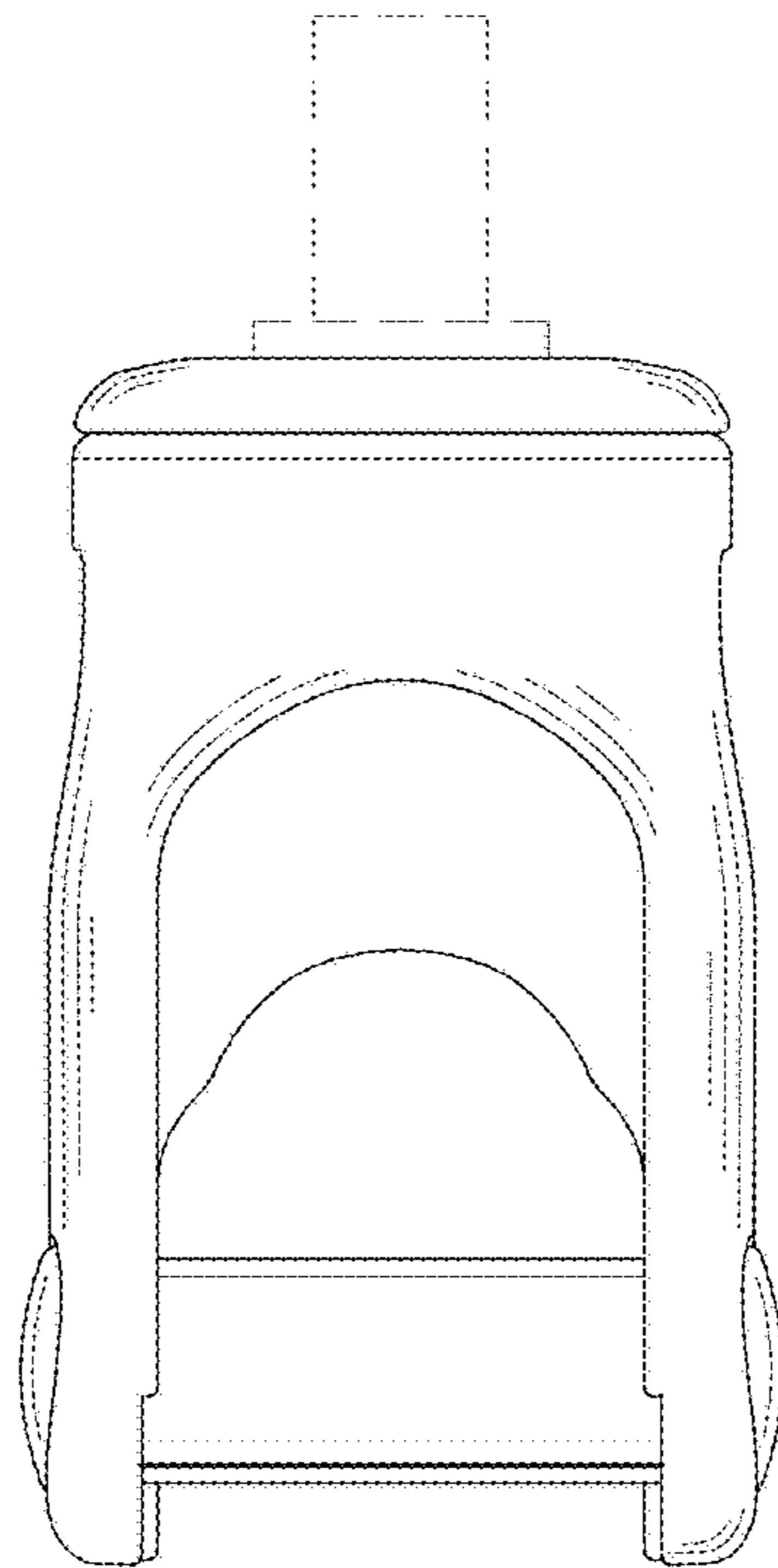


FIG. 2

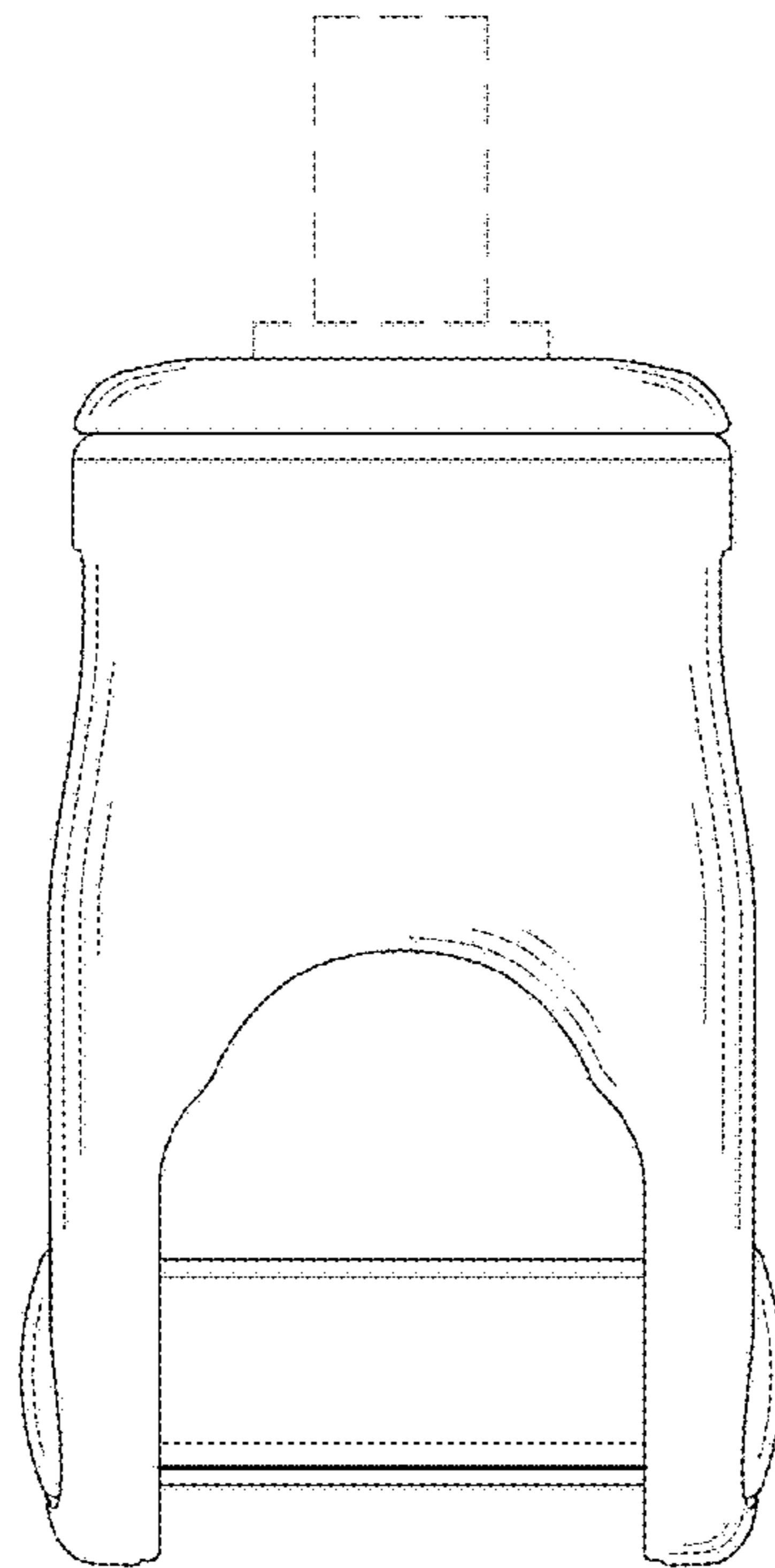


FIG. 3

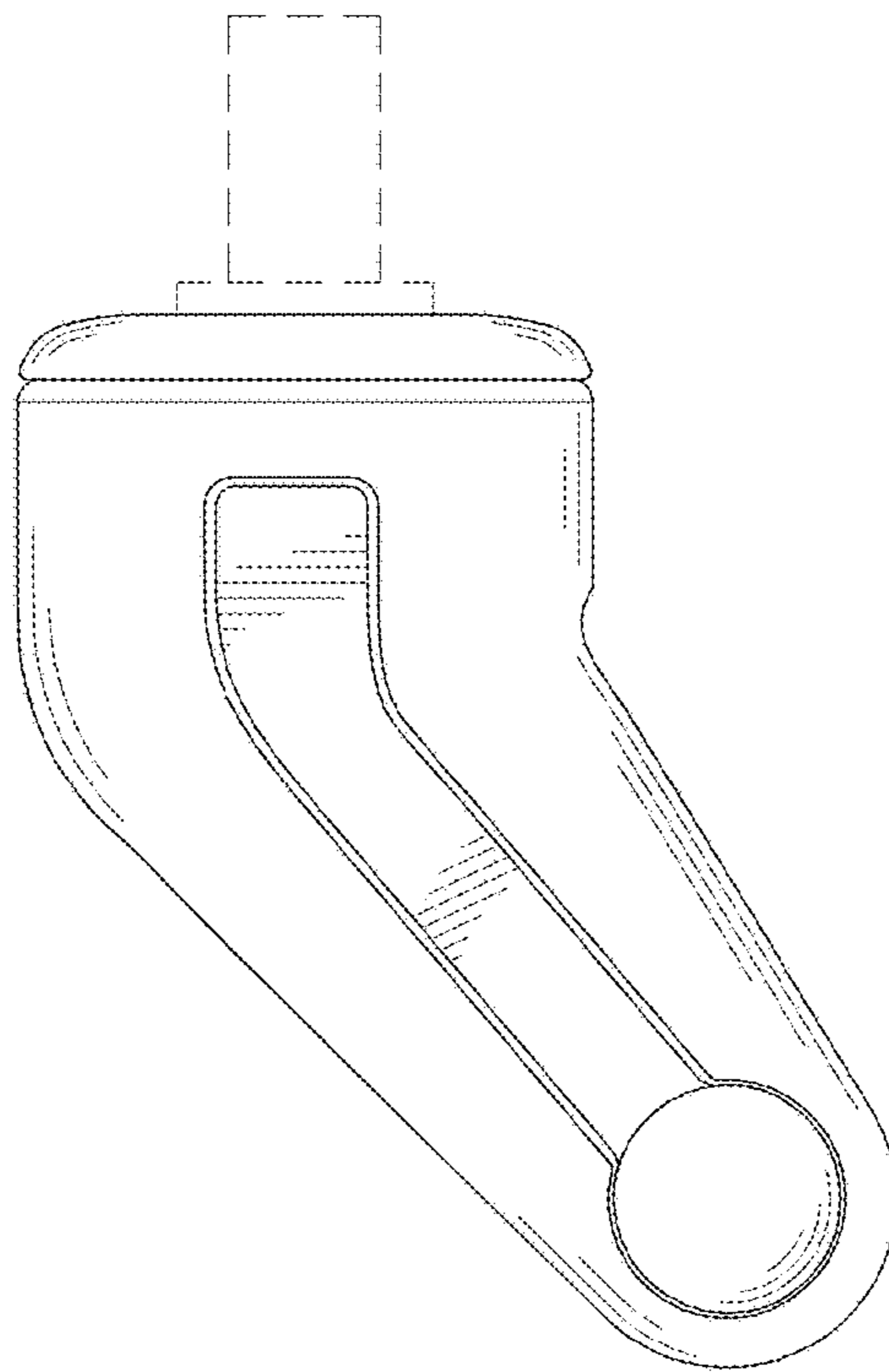


FIG. 4

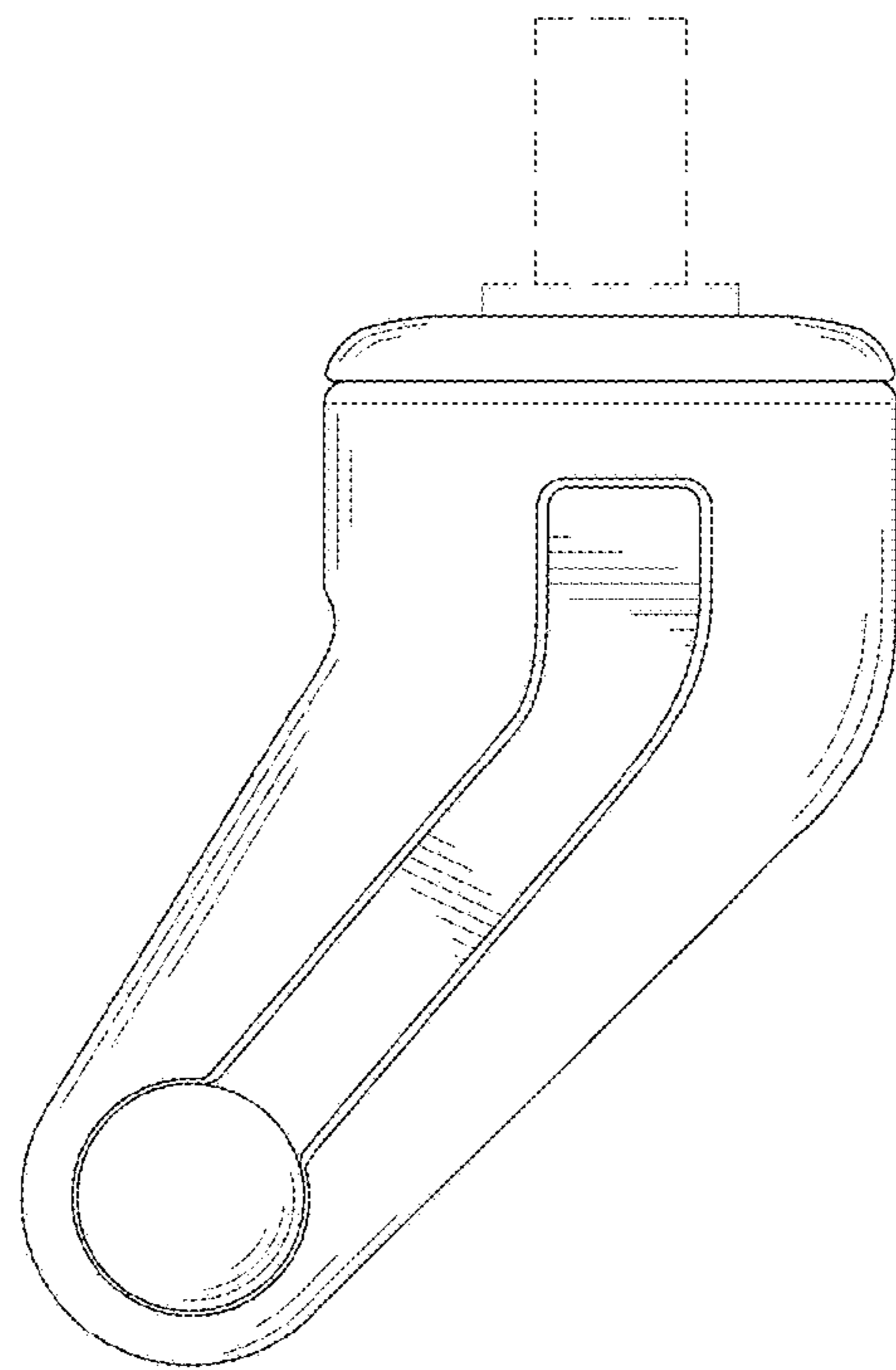


FIG. 5

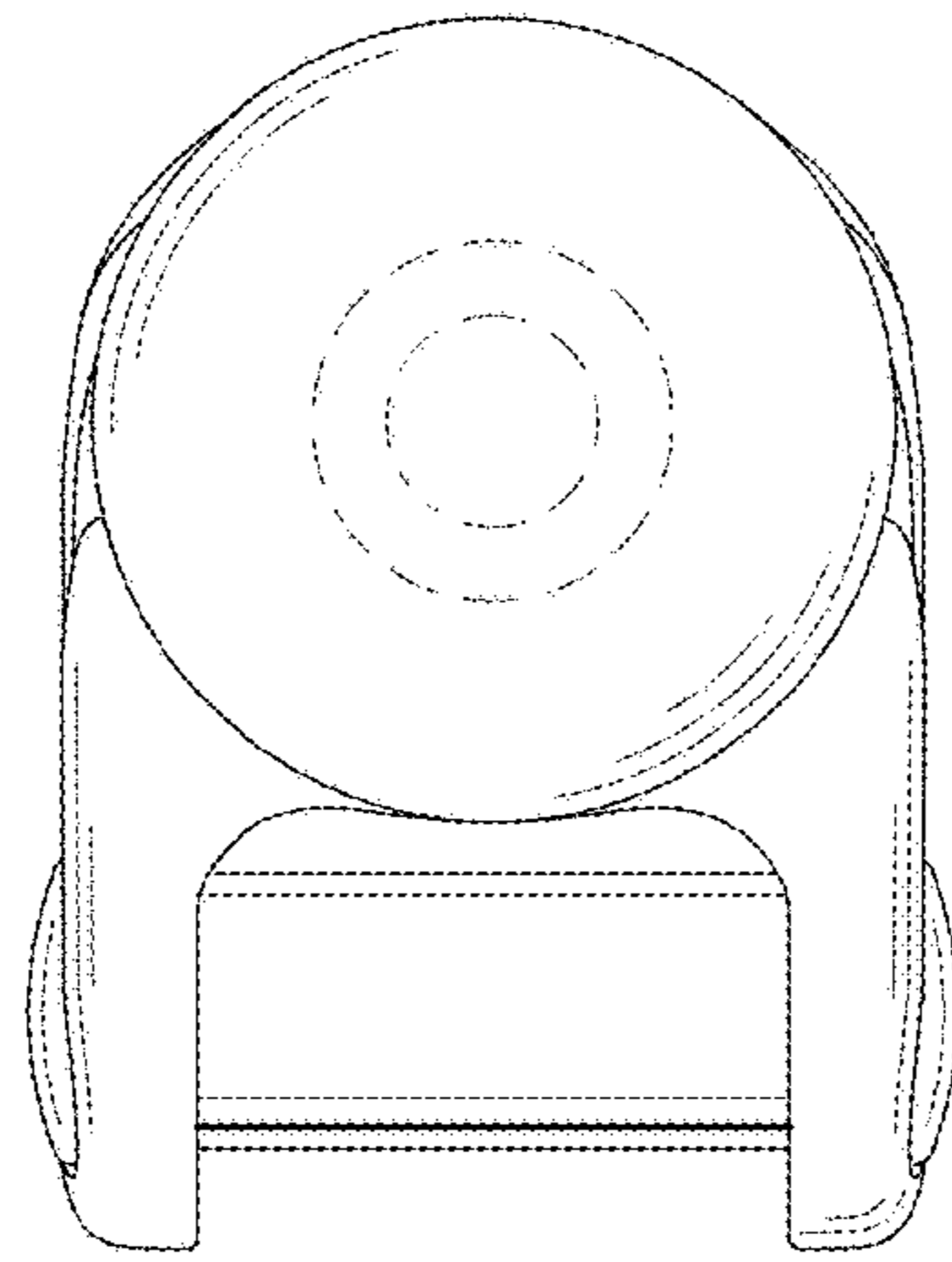


FIG. 6

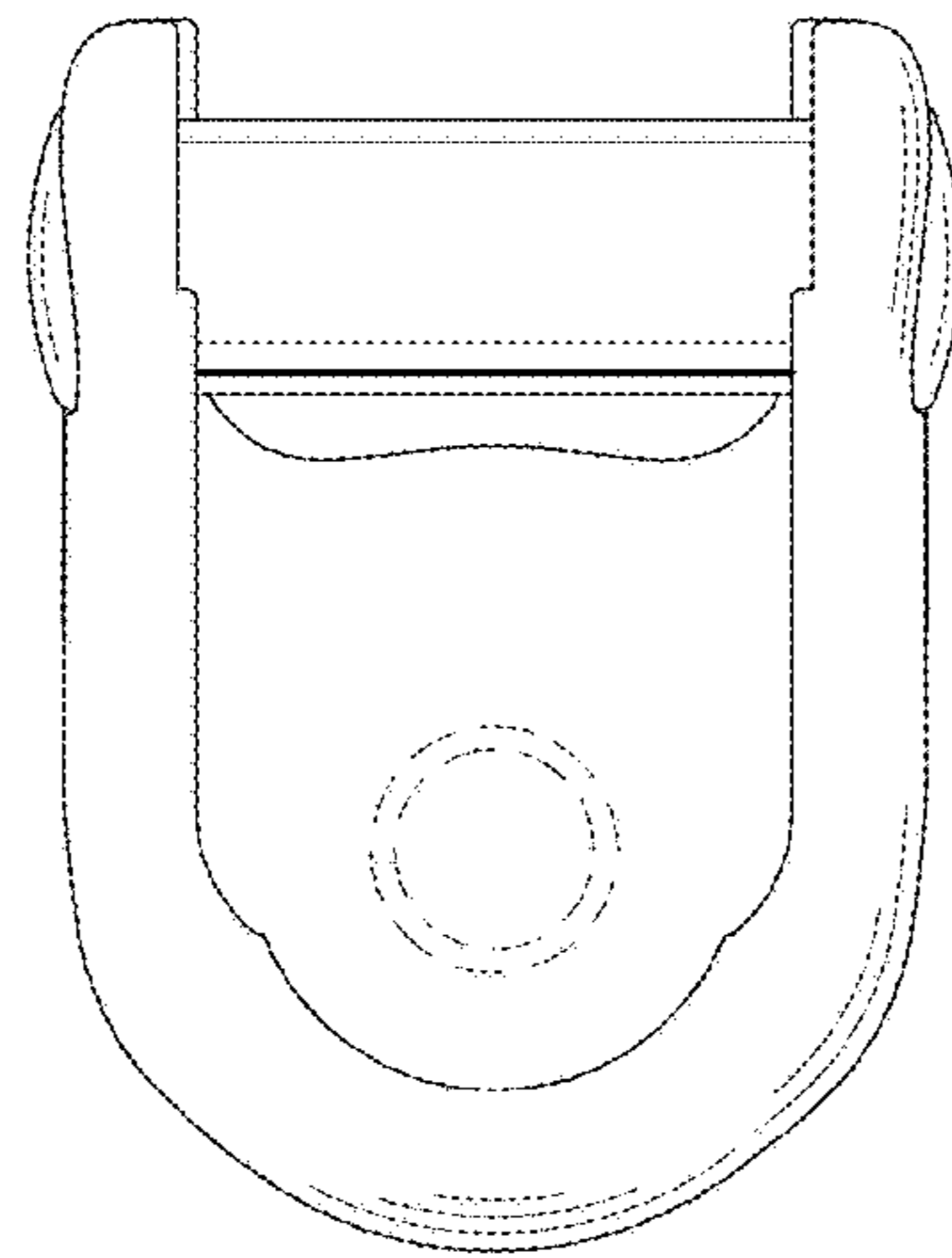


FIG. 7