



US00D830814S

(12) **United States Design Patent** (10) **Patent No.:** **US D830,814 S**
Thuma et al. (45) **Date of Patent:** **** Oct. 16, 2018**

- (54) **WALL MOUNTED HOSE REEL**
- (71) Applicant: **Suncast Technologies, LLC**, Palm Beach Gardens, FL (US)
- (72) Inventors: **Michael Thuma**, La Grange, IL (US); **Torrence Anderson**, Overland Park, KS (US); **Michael R. Vogler**, Oswego, IL (US)
- (73) Assignee: **Suncast Technologies, LLC**, Palm Beach Gardens, FL (US)

D672,635	S	*	12/2012	Phillips	D8/359
D673,030	S	*	12/2012	Phillips	D8/359
D704,036	S	*	5/2014	Fortier	D8/358
D742,204	S	*	11/2015	Fortier	D8/358
D742,205	S	*	11/2015	Fortier	D8/358
2013/0056094	A1	*	3/2013	Phillips	B65H 75/38 137/355.26

* cited by examiner

Primary Examiner — Janice Hallmark
Assistant Examiner — Eliza Z Bennett-Hattan
(74) *Attorney, Agent, or Firm* — McHale & Slavin, P.A.

- (**) Term: **15 Years**
- (21) Appl. No.: **29/566,532**
- (22) Filed: **May 31, 2016**
- (51) **LOC (11) Cl.** **08-05**
- (52) **U.S. Cl.**
USPC **D8/359**
- (58) **Field of Classification Search**
USPC D8/74, 347, 373, 375, 380, 381, 396,
D8/356, 359, 358, 360.1; D6/306, 309,
D6/677
CPC . B65H 75/40; B65H 75/4407; B65H 75/4471
See application file for complete search history.

(56) **References Cited**

U.S. PATENT DOCUMENTS

D554,480	S	*	11/2007	Richwine	D8/359
D626,818	S	*	11/2010	Tracey	D8/358

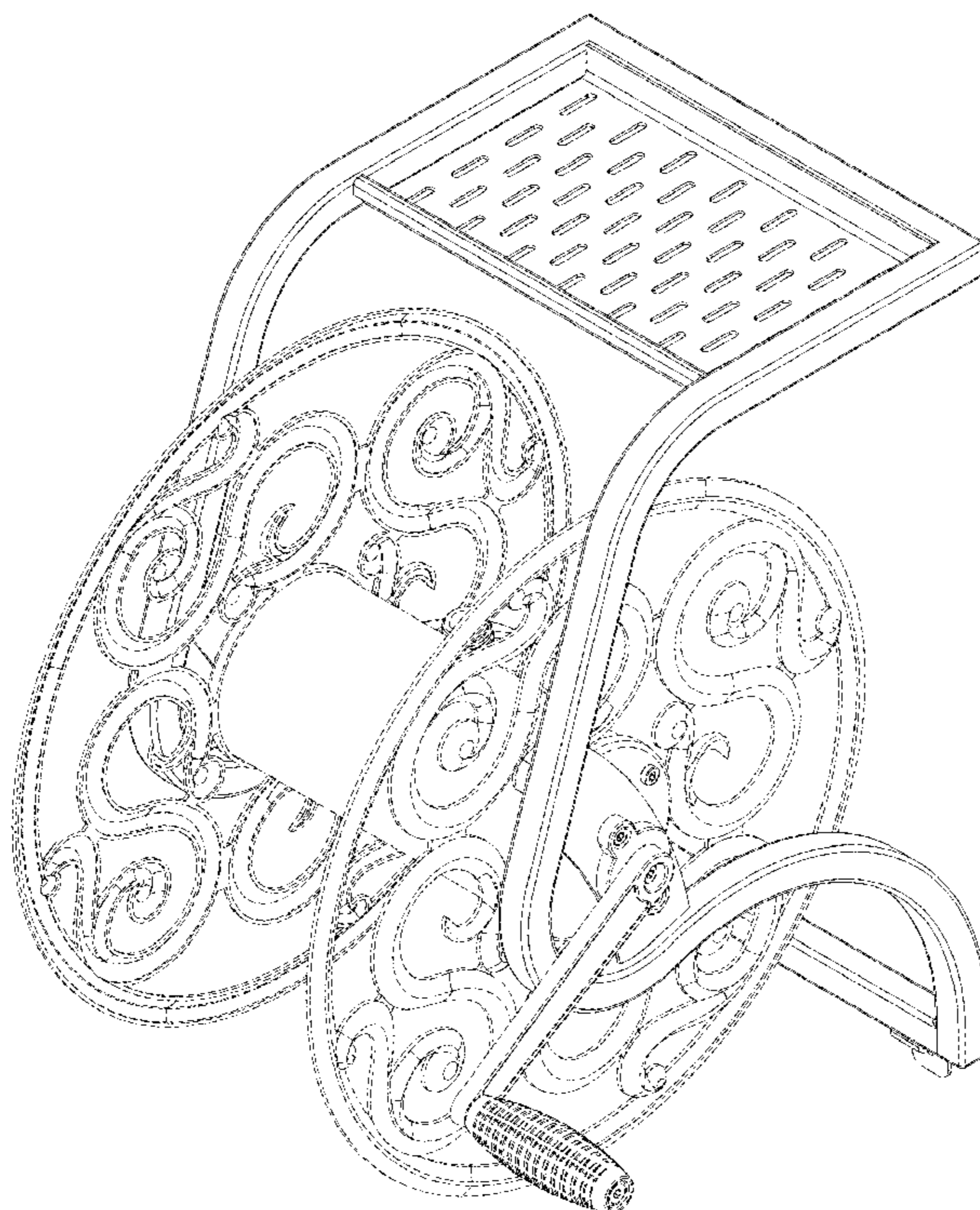
(57) **CLAIM**

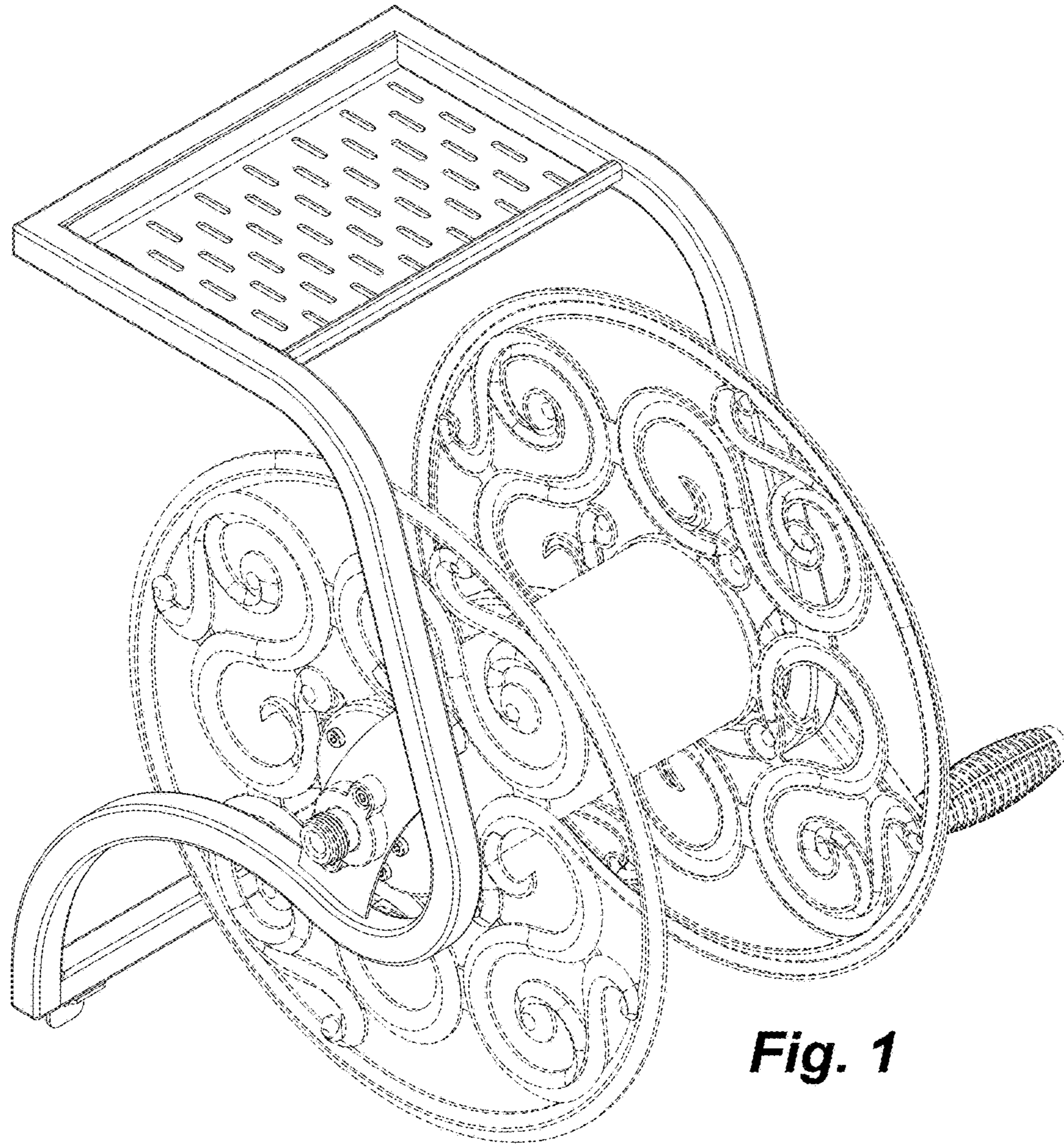
The ornamental design for a wall mounted hose reel, as shown and described.

DESCRIPTION

FIG. 1 is a top left isometric view of the wall mounted hose reel of the present invention;
FIG. 2 is a left side view thereof;
FIG. 3 is a right side view thereof;
FIG. 4 is a front view thereof;
FIG. 5 is a rear view thereof;
FIG. 6 is a top view thereof; and,
FIG. 7 is a top right isometric view thereof.
The portions of the wall mounted hose reel illustrated in broken lines form no part of the claimed design.

1 Claim, 7 Drawing Sheets





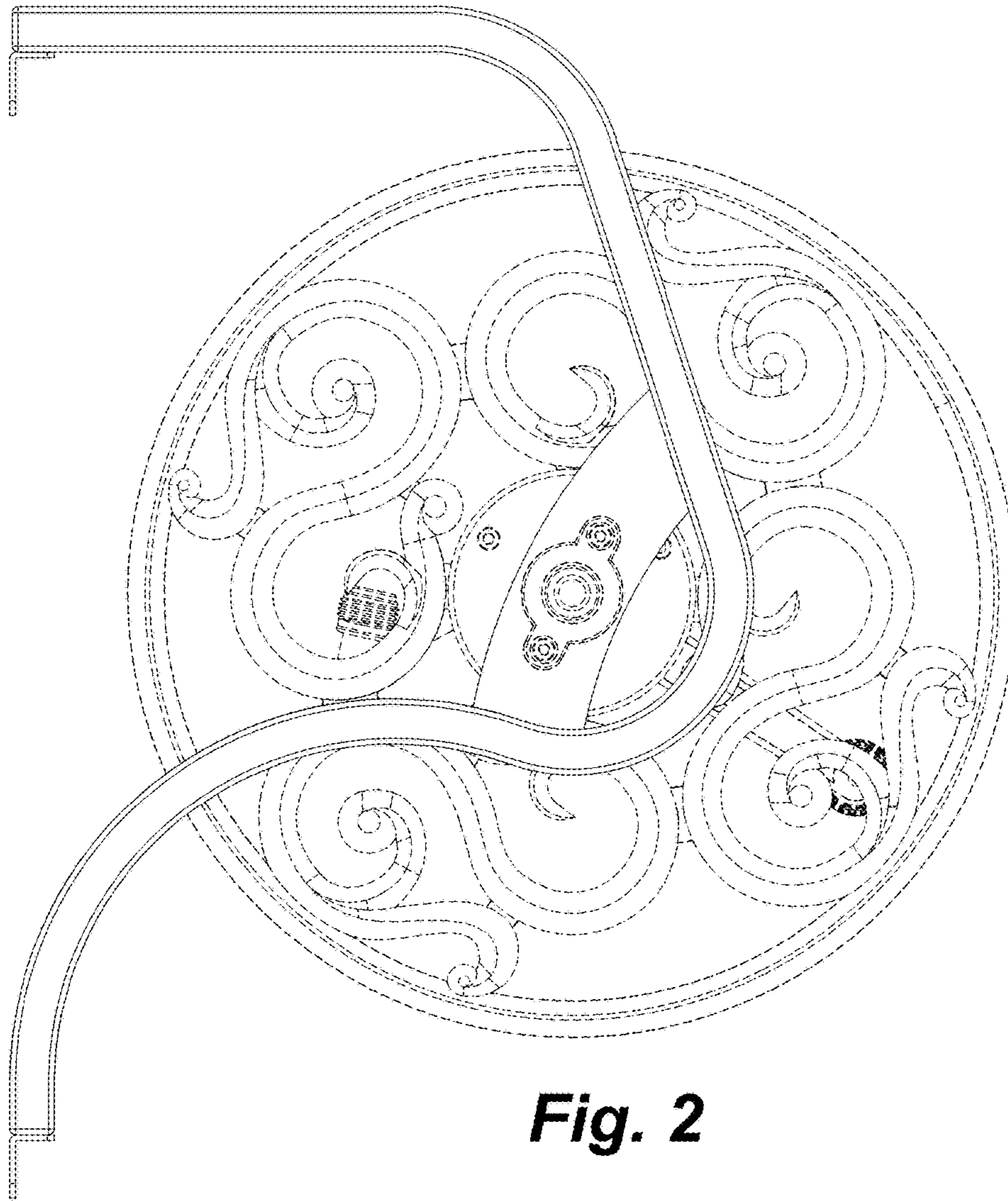


Fig. 2

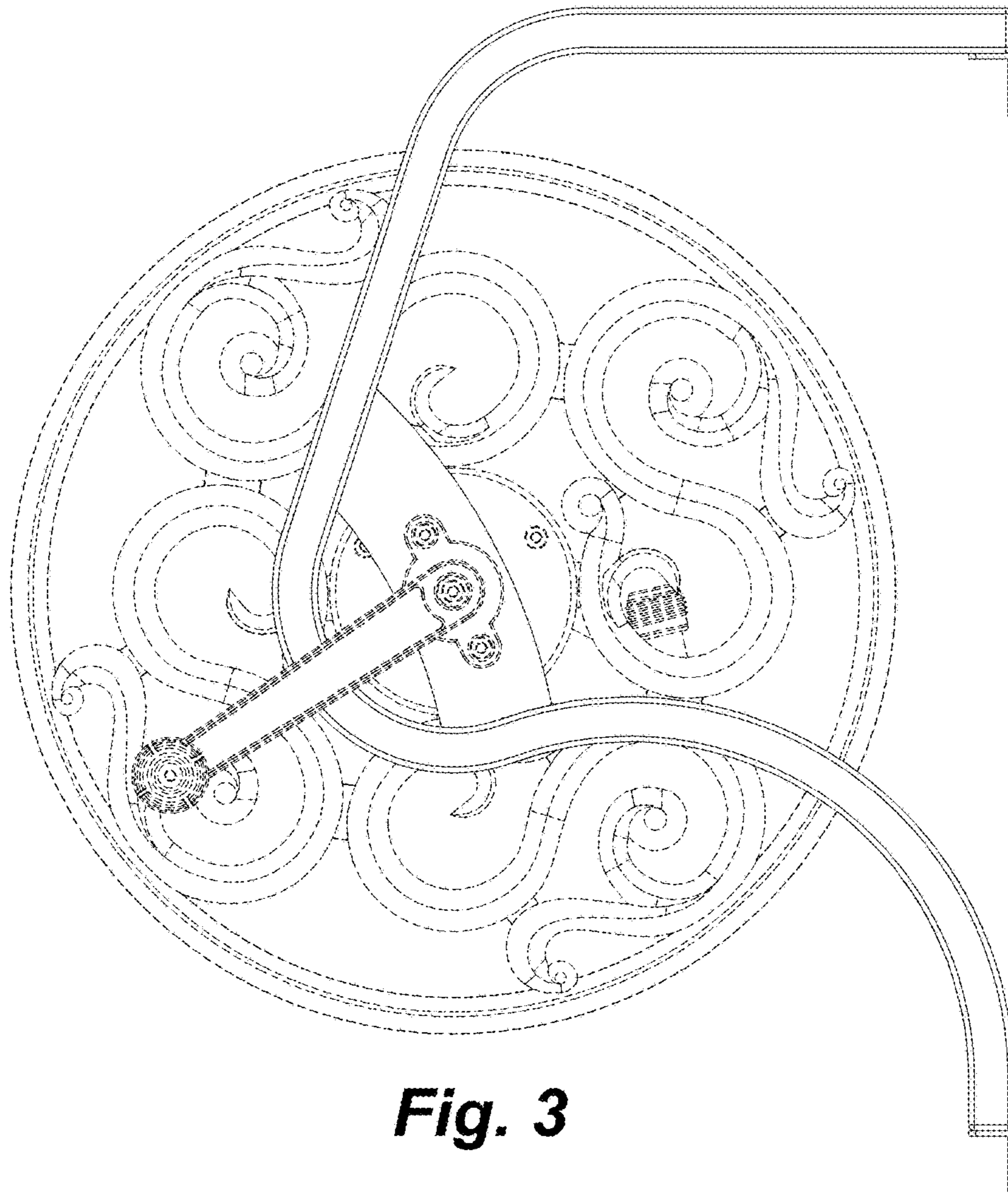


Fig. 3

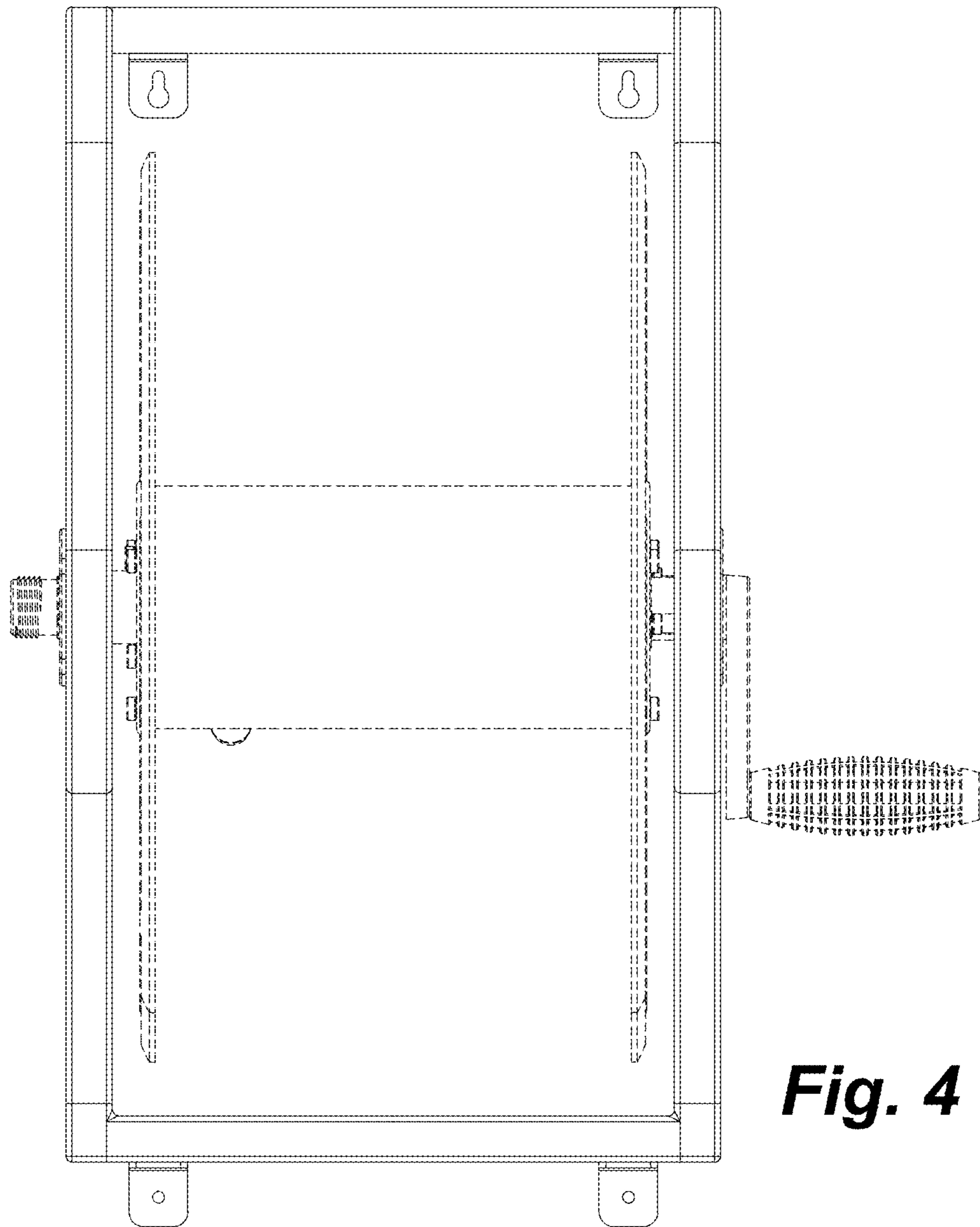


Fig. 4

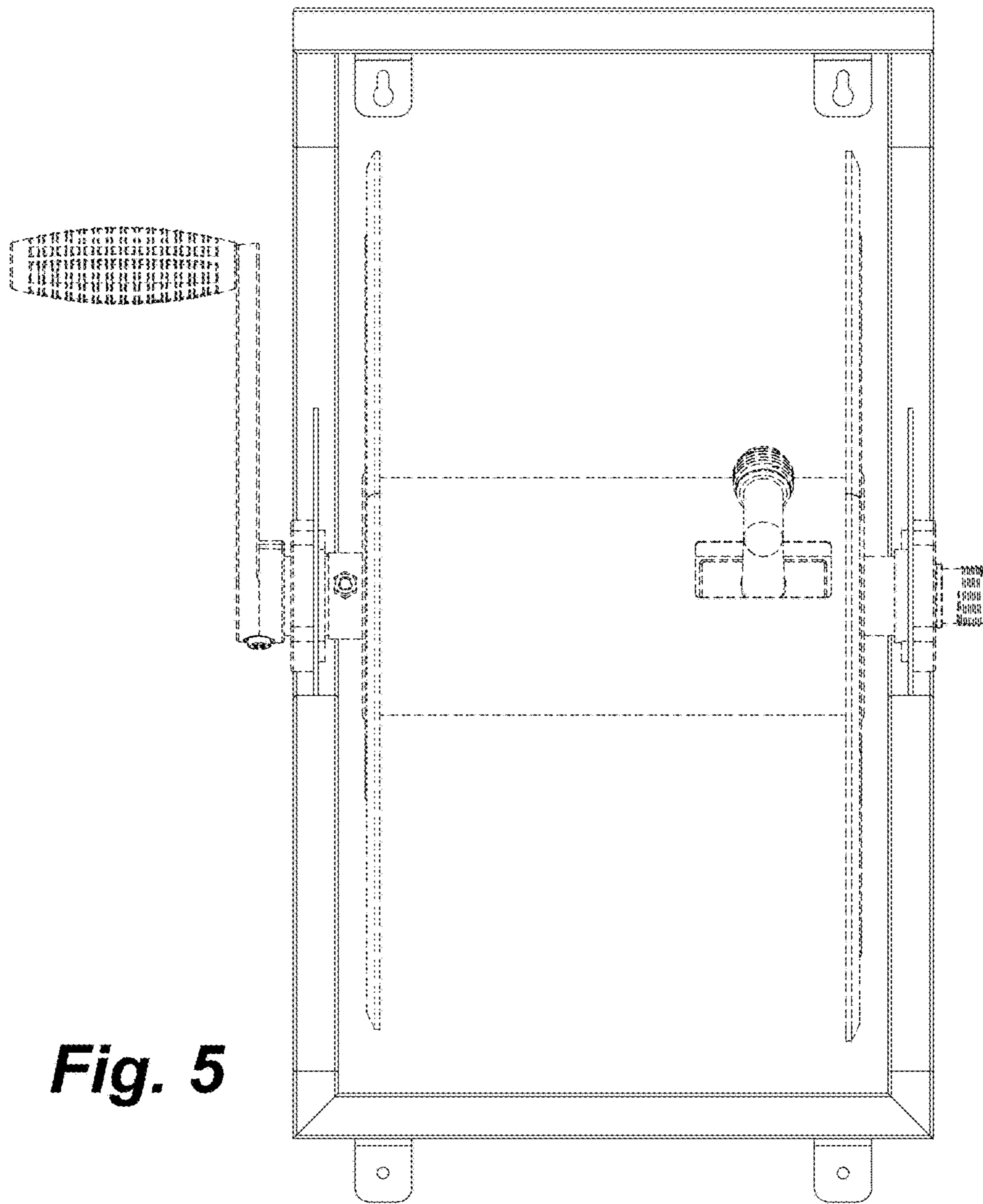
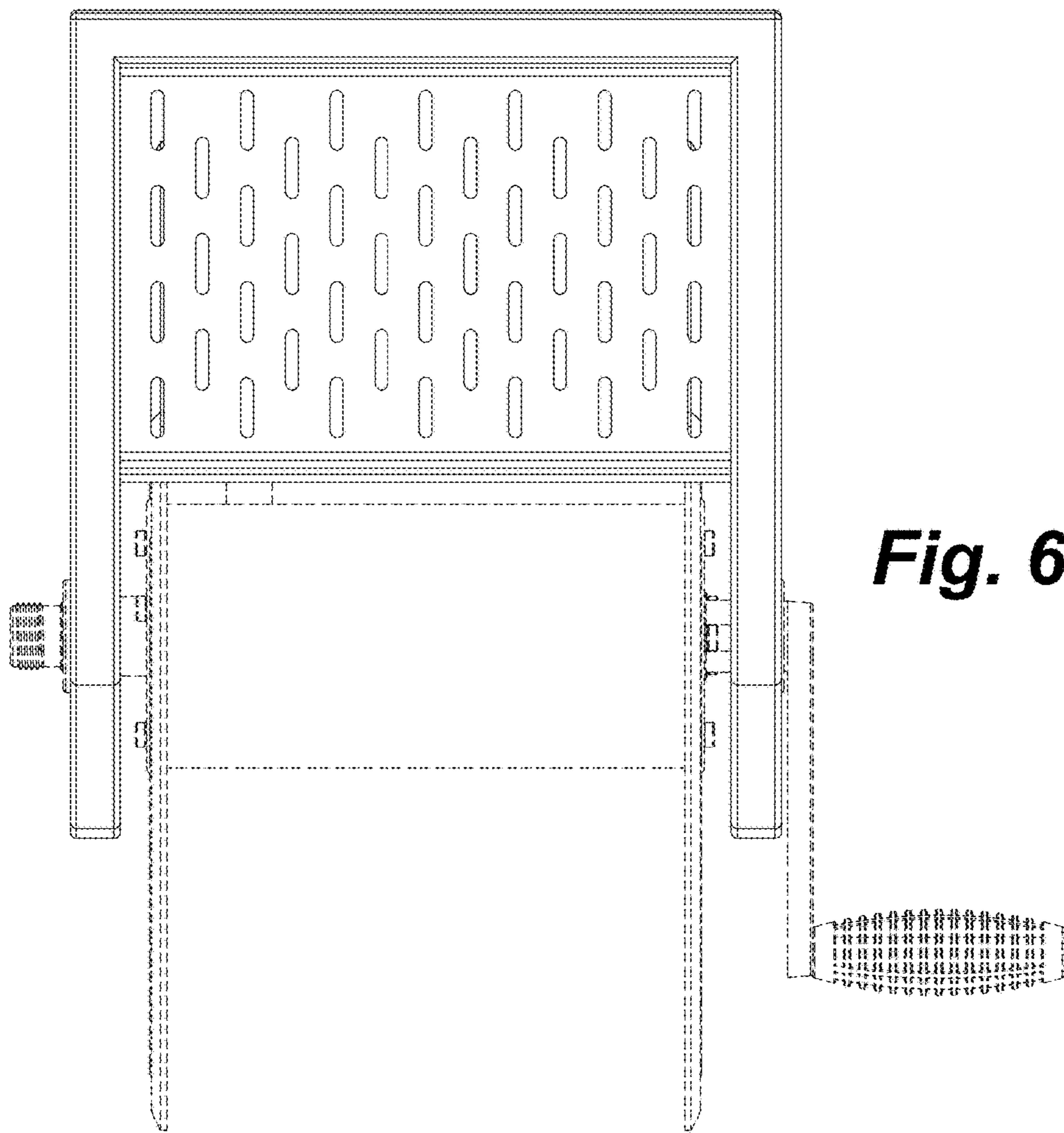


Fig. 5



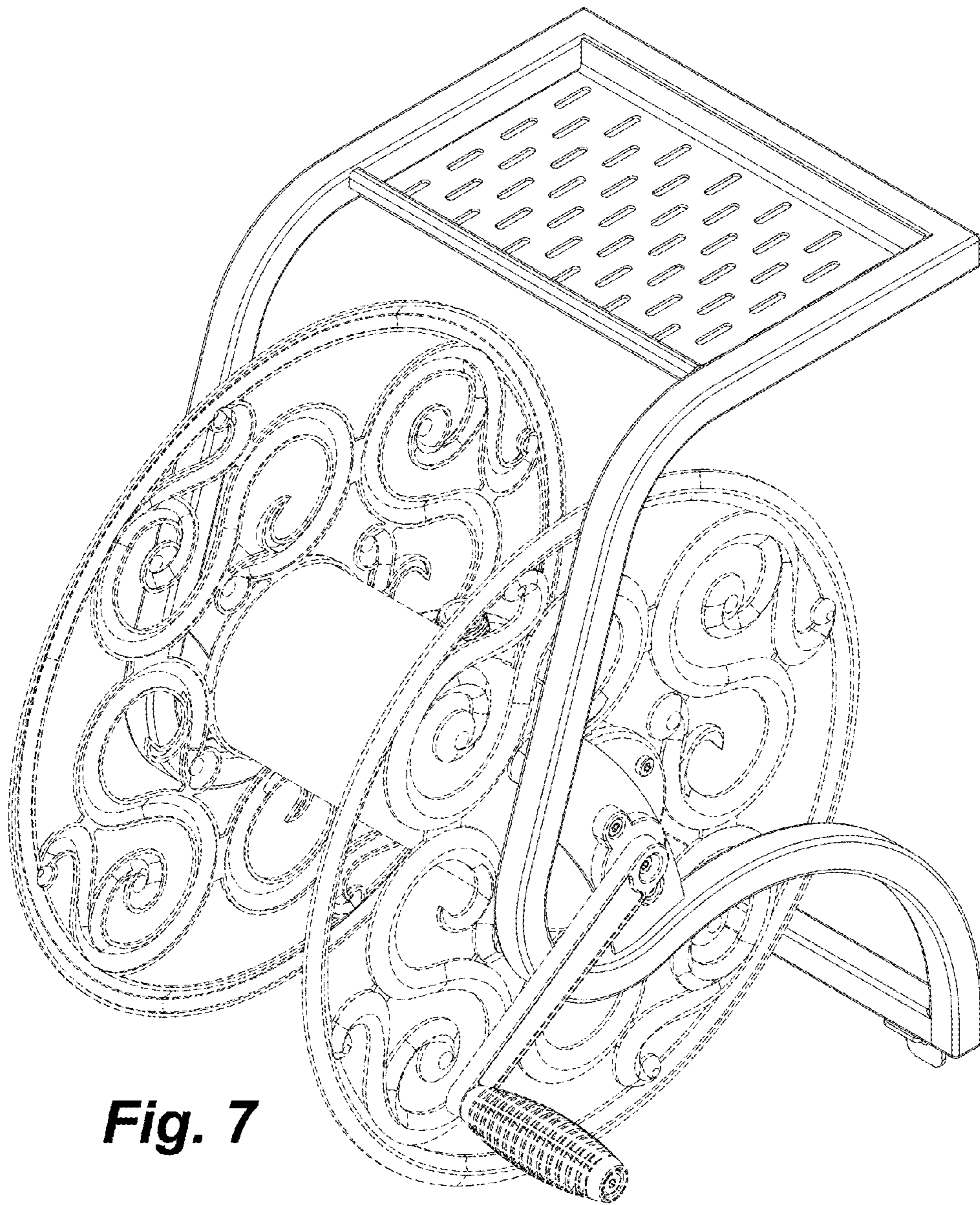


Fig. 7