



US00D830813S

(12) **United States Design Patent**  
**Garfinkle**

(10) **Patent No.:** **US D830,813 S**

(45) **Date of Patent:** **\*\* \*Oct. 16, 2018**

(54) **SUCTION CUP ADAPTER**

(71) Applicant: **Benjamin Garfinkle**, Piedmont, CA  
(US)

(72) Inventor: **Benjamin Garfinkle**, Piedmont, CA  
(US)

(\* ) Notice: This patent is subject to a terminal disclaimer.

(\*\*) Term: **15 Years**

(21) Appl. No.: **29/590,882**

(22) Filed: **Jan. 13, 2017**

(51) **LOC (11) Cl.** ..... **08-05**

(52) **U.S. Cl.**  
USPC ..... **D8/354**

(58) **Field of Classification Search**  
USPC ..... D20/43, 99, 19, 22, 10; D8/367, 354,  
D8/382, 389, 394, 395  
CPC ..... G09F 1/10; G09F 3/18; G09F 3/204  
See application file for complete search history.

(56) **References Cited**

**U.S. PATENT DOCUMENTS**

2,588,251	A *	3/1952	Kost	.....	F16B 2/245
					220/315
2,662,745	A *	12/1953	Jorn	.....	F24D 3/165
					165/185
4,779,367	A *	10/1988	Fast	.....	G09F 3/04
					40/584
D302,655	S *	8/1989	Sachs	.....	D8/395
D347,449	S *	5/1994	Garfinkle	.....	D20/43
6,131,865	A *	10/2000	Adams	.....	A47G 1/17
					248/205.5
D454,917	S *	3/2002	Mueller	.....	D20/42
6,530,166	B1 *	3/2003	Garfinkle	.....	G09F 3/20
					40/606.14

D491,442	S *	6/2004	Cordero	.....	D8/354
D608,190	S *	1/2010	Jimenez	.....	D8/395
D616,946	S *	6/2010	Garfinkle	.....	D20/43
D644,613	S *	9/2011	Kiely	.....	D13/155
D649,348	S *	11/2011	Murphy, Jr.	.....	D3/266
D663,363	S *	7/2012	Garfinkle	.....	D20/43
D669,135	S *	10/2012	Garfinkle	.....	D20/43
D669,136	S *	10/2012	Bruegmann	.....	D20/43
D670,765	S *	11/2012	Bruegmann	.....	D20/43
8,671,603	B2 *	3/2014	Garfinkle	.....	G09F 3/20
					40/649
D742,969	S *	11/2015	White	.....	D20/43
D742,970	S *	11/2015	White	.....	D20/43
D744,316	S *	12/2015	Nook	.....	D8/349
D749,404	S *	2/2016	White	.....	D8/380
D749,405	S *	2/2016	White	.....	D8/380
D768,243	S *	10/2016	Garfinkle	.....	D20/43
2015/0332619	A1 *	11/2015	Herrmann	.....	G09F 23/06
					40/594

\* cited by examiner

*Primary Examiner* — Lakiya Rogers  
*Assistant Examiner* — Harold E Blackwell, II  
(74) *Attorney, Agent, or Firm* — Bay Area Technology Law Group PC

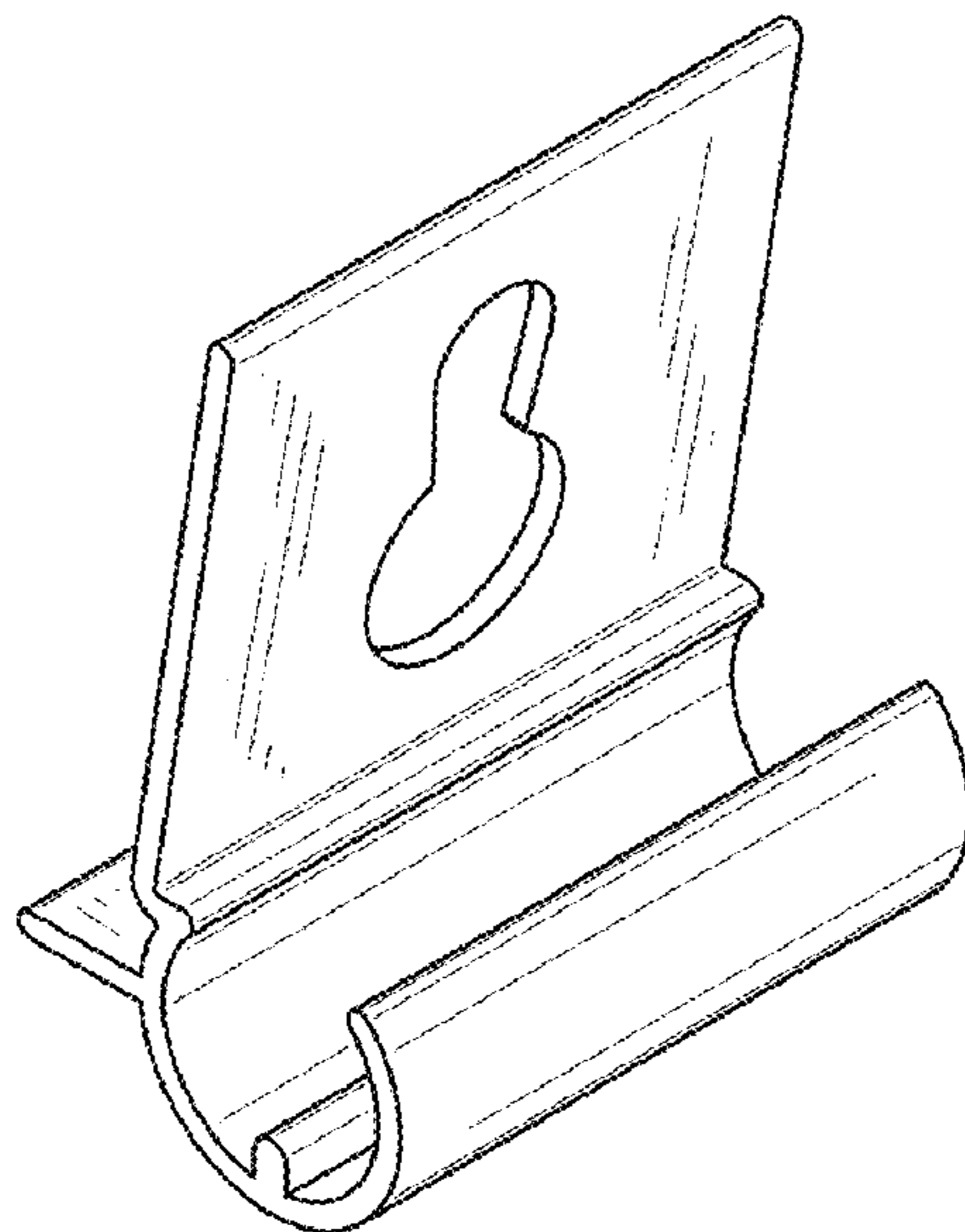
(57) **CLAIM**

The ornamental design for a suction cup adapter, as shown and described.

**DESCRIPTION**

FIG. 1 is a perspective view of a suction cup adapter showing my new design;  
FIG. 2 is a front view of FIG. 1;  
FIG. 3 is a back view of FIG. 1;  
FIG. 4 is a left side view of FIG. 1;  
FIG. 5 is a right side view of FIG. 1;  
FIG. 6 is a top view of FIG. 1; and,  
FIG. 7 is a bottom view of FIG. 1.

**1 Claim, 2 Drawing Sheets**



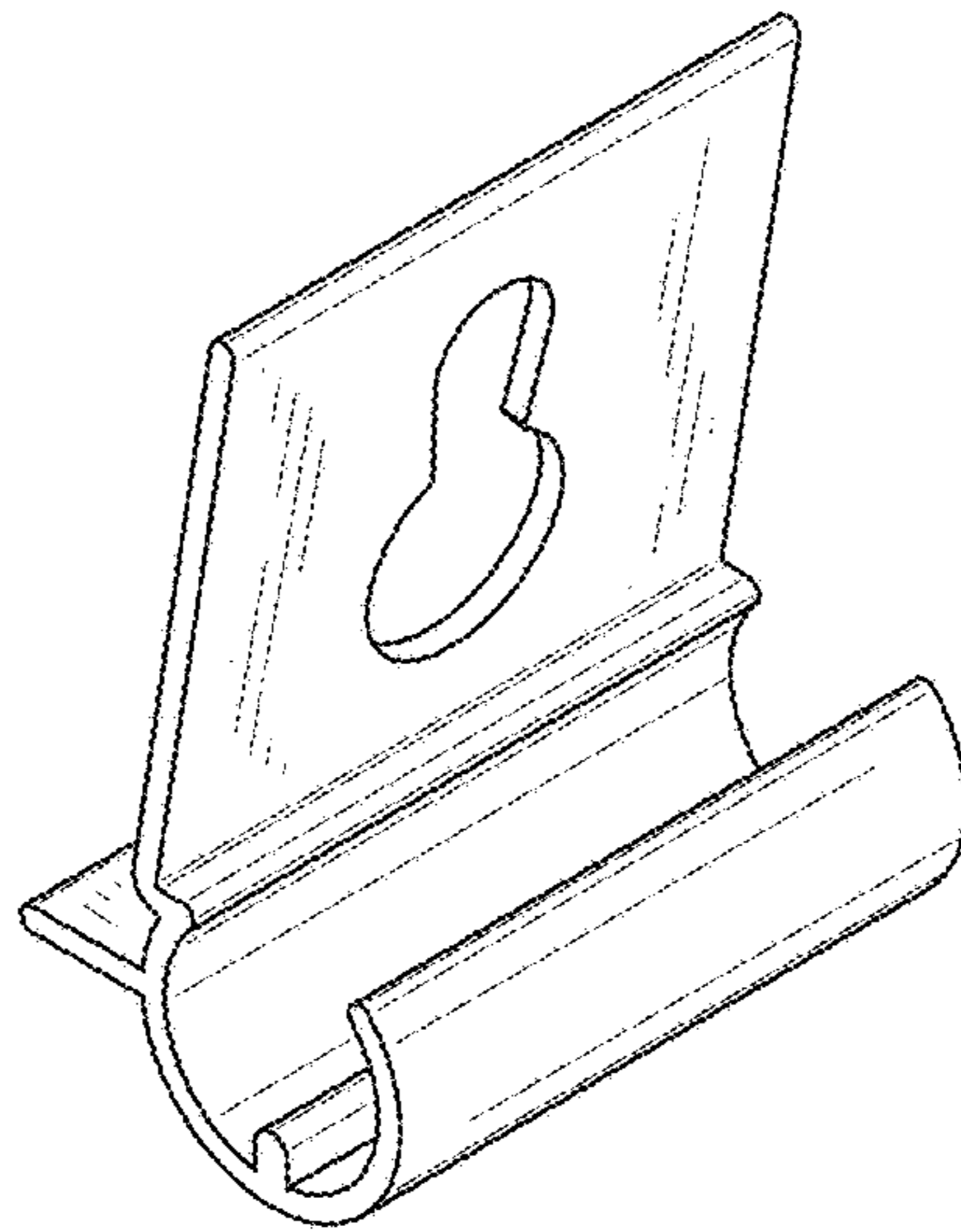


FIG. 1

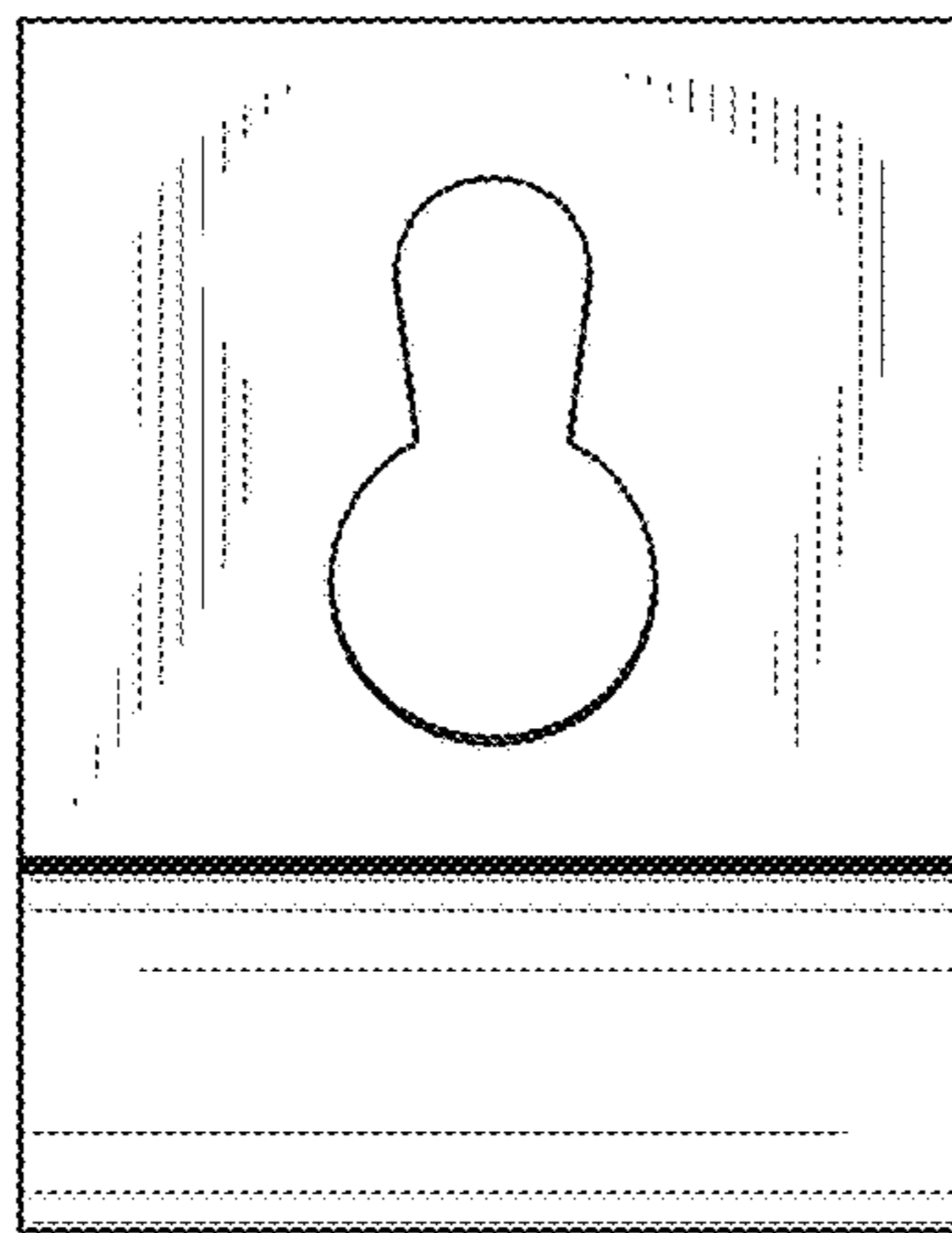


FIG. 2

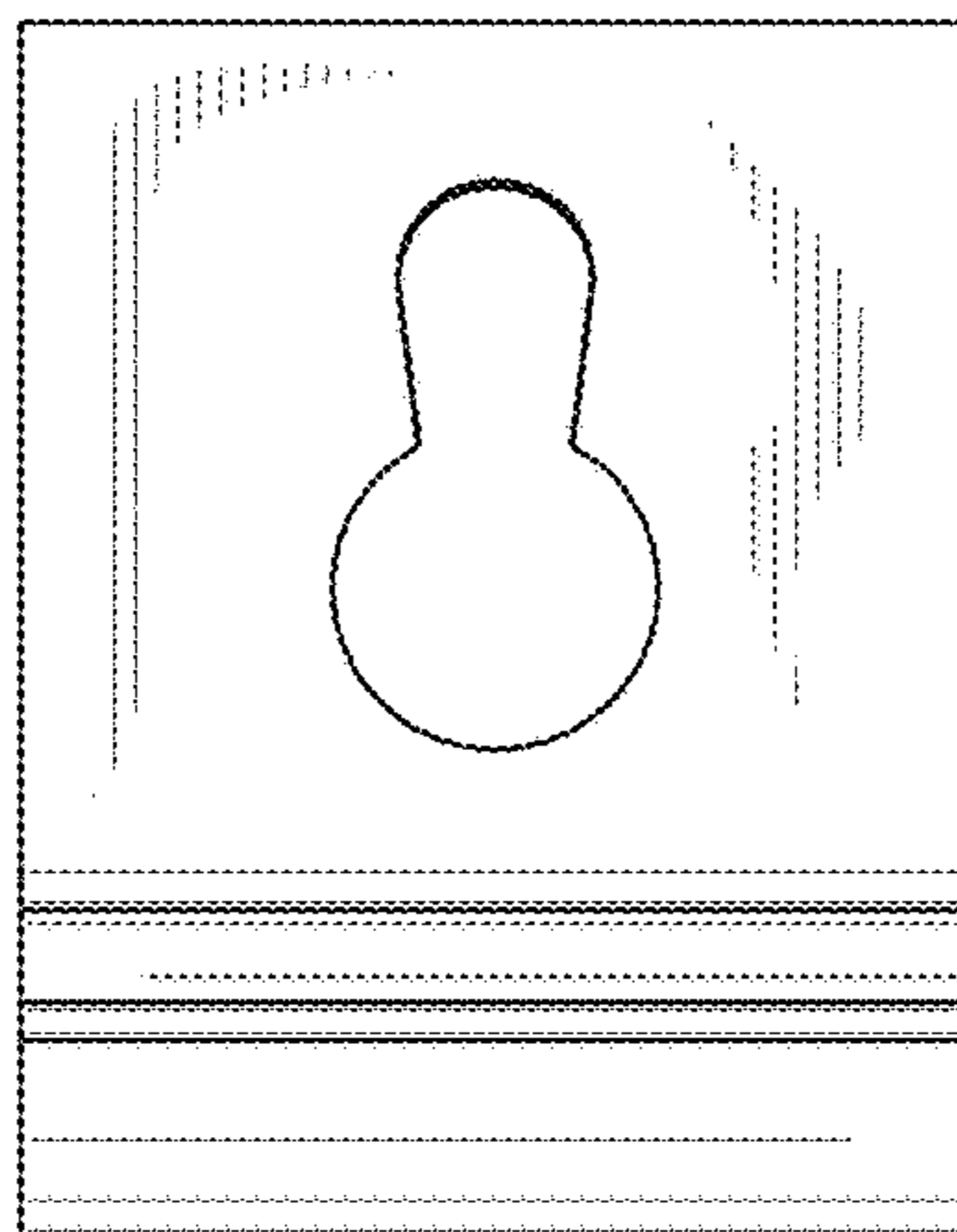


FIG. 3

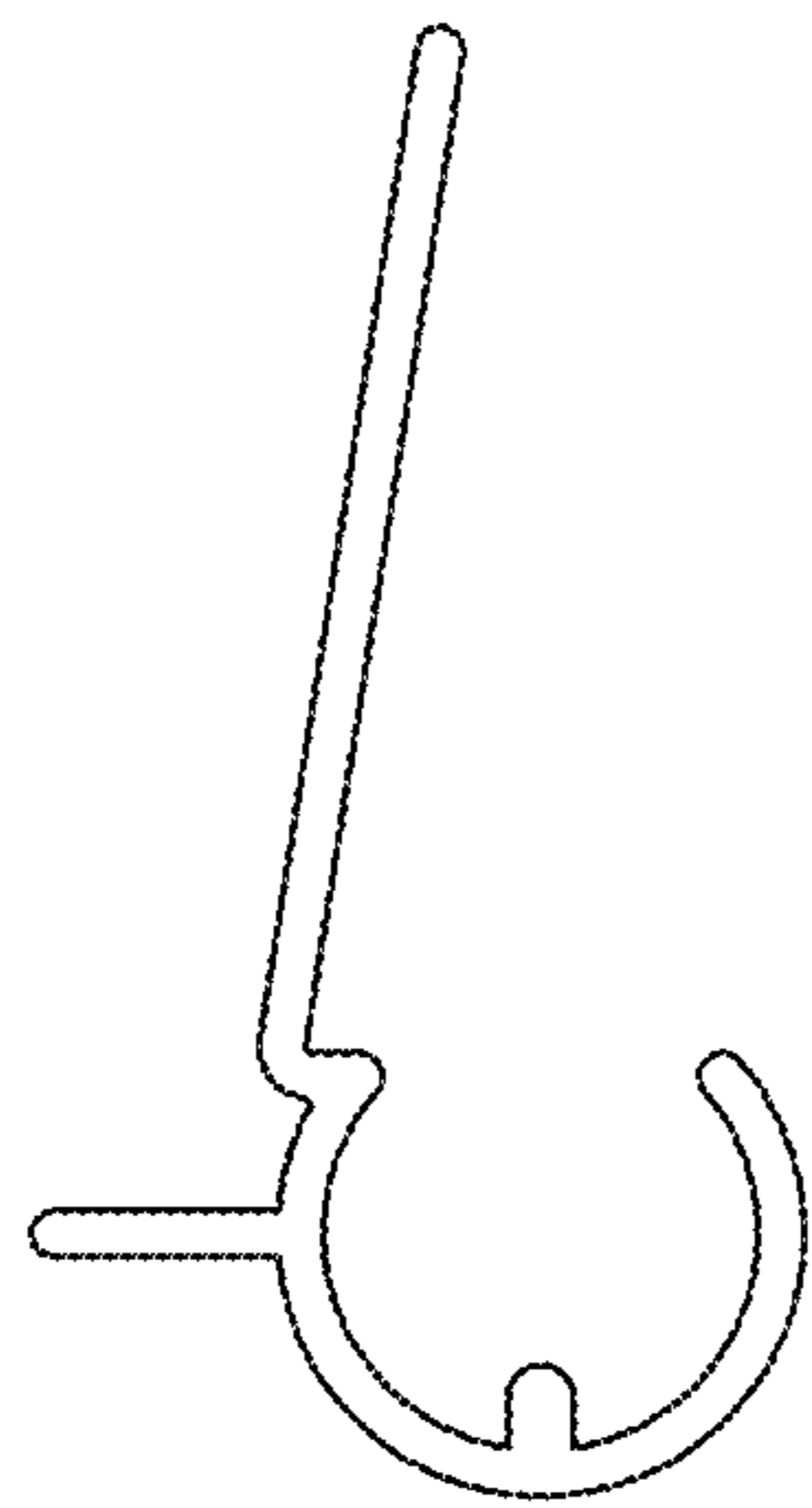


FIG. 4

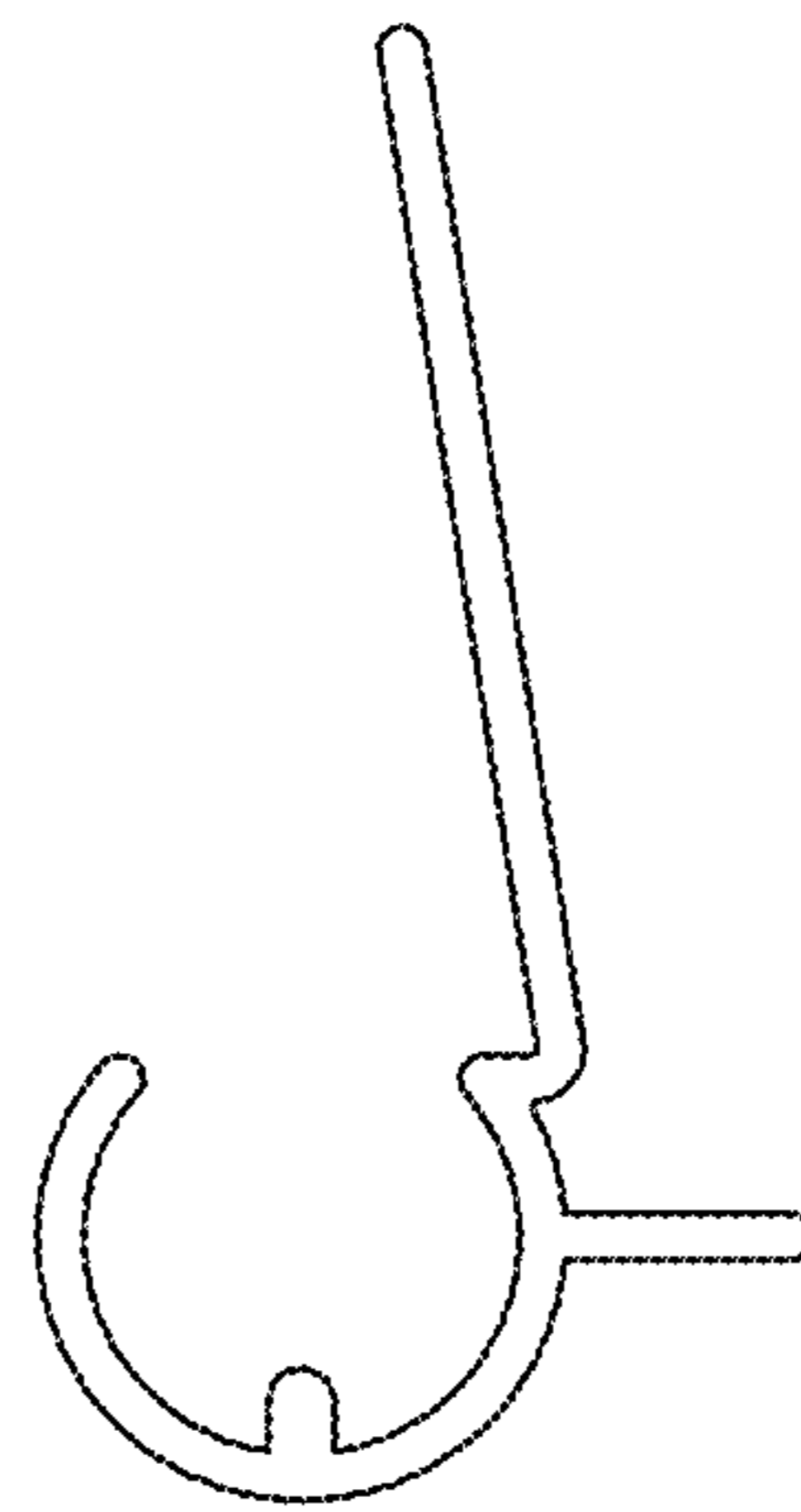


FIG. 5

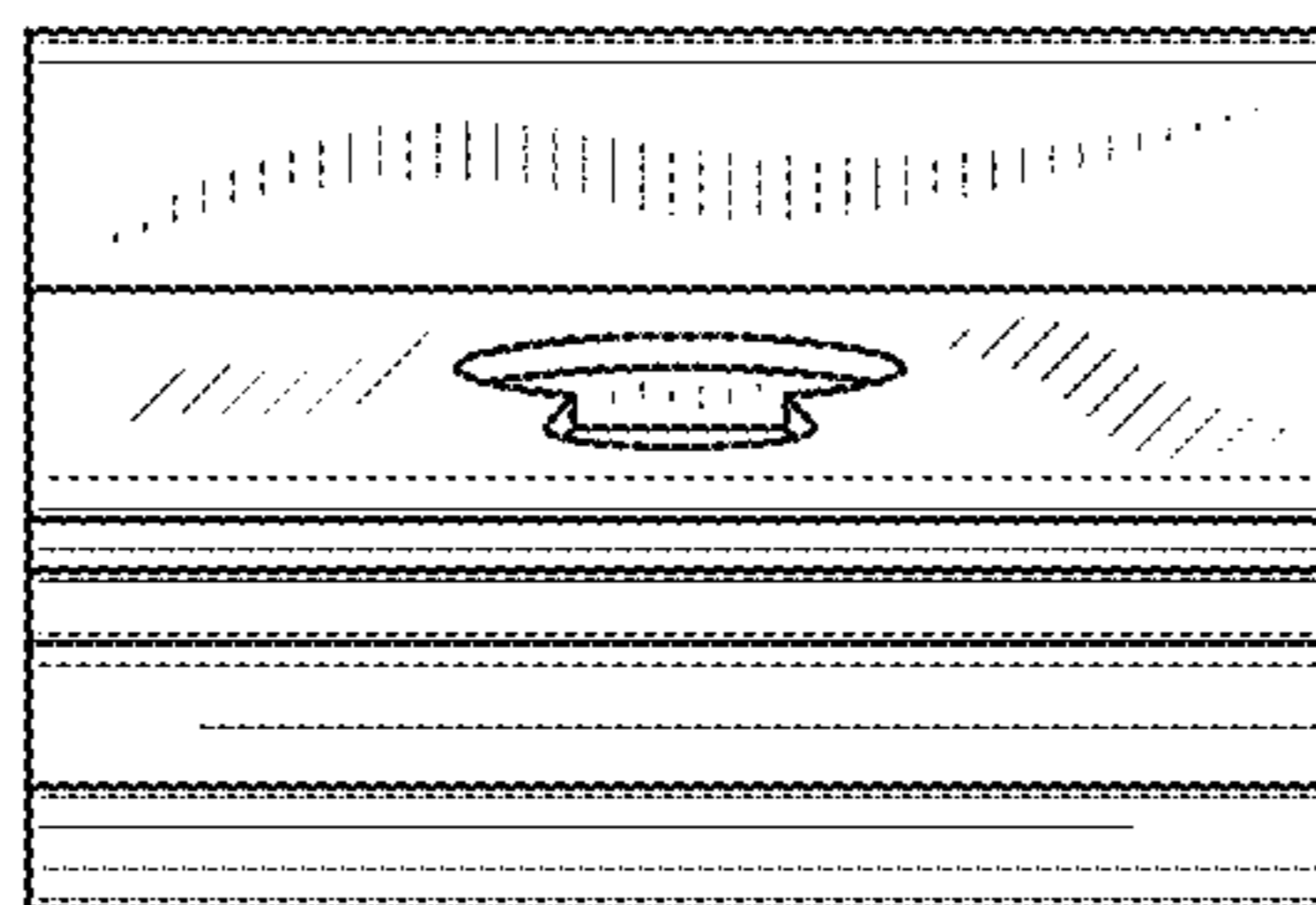


FIG. 6

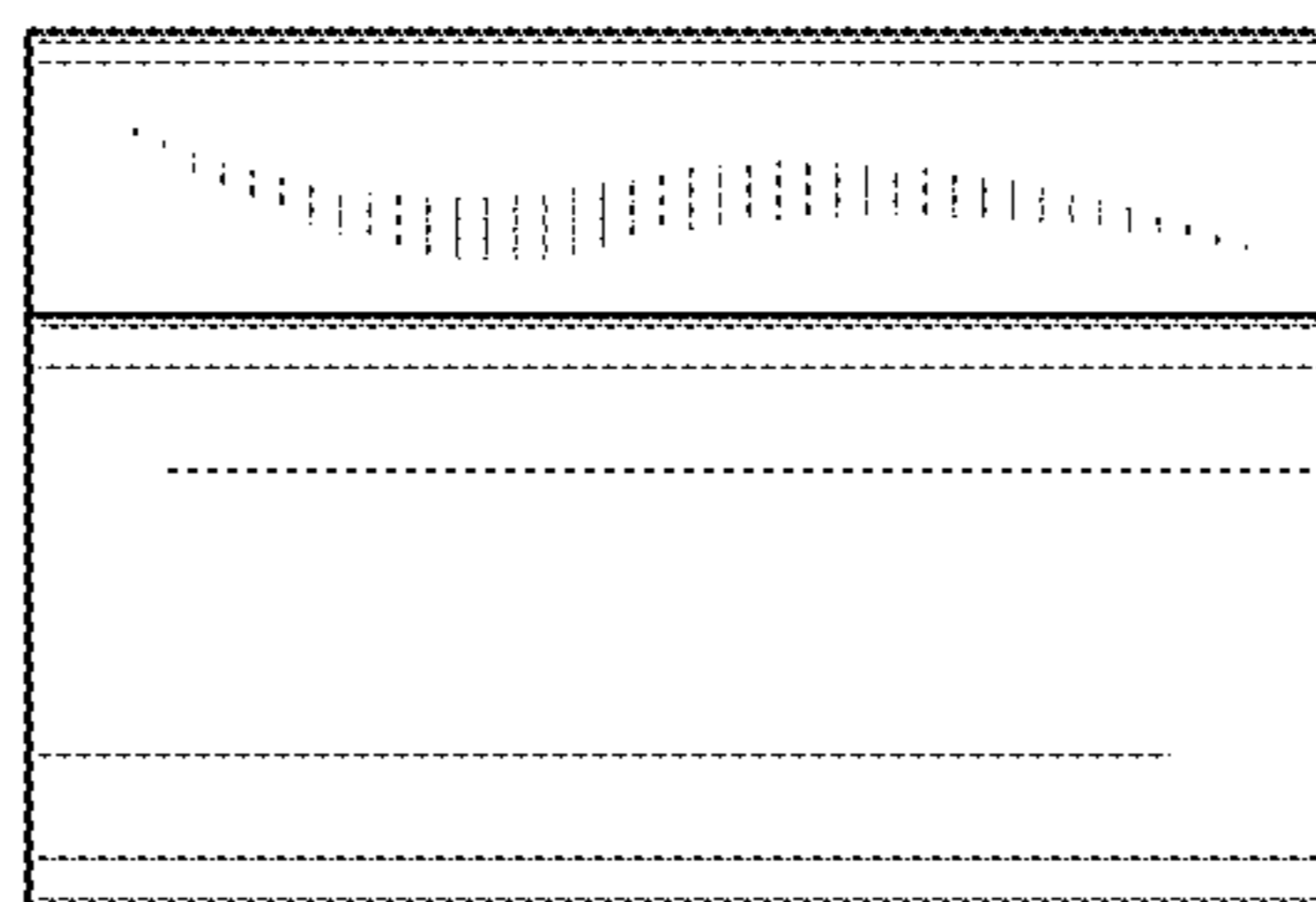


FIG. 7