



US00D830812S

(12) **United States Design Patent** (10) **Patent No.:** **US D830,812 S**
Kanter (45) **Date of Patent:** **** Oct. 16, 2018**

- (54) **MONITOR BRACKET**
- (71) Applicant: **HumanCentric Ventures LLC**, Skokie, IL (US)
- (72) Inventor: **Simcha Kanter**, Chicago, IL (US)
- (73) Assignee: **HUMANCENTRIC VENTURES LLC**, Skokie, IL (US)
- (**) Term: **15 Years**
- (21) Appl. No.: **29/590,081**
- (22) Filed: **Jan. 6, 2017**
- (51) **LOC (11) Cl.** **08-05**
- (52) **U.S. Cl.**
USPC **D8/354**
- (58) **Field of Classification Search**
USPC D8/354, 373, 380, 349; D14/230–238,
D14/299, 358, 451, 447, 448, 238.1
CPC F16M 11/045; F16M 11/048; F16M 13/00
See application file for complete search history.

D823,286 S * 7/2018 Kanter D14/238
2004/0188573 A1* 9/2004 Weatherly A47B 81/061
248/125.1
2012/0187056 A1* 7/2012 Hazzard A47B 21/02
211/26

* cited by examiner
Primary Examiner — Lakiya G Rogers
Assistant Examiner — Harold E Blackwell, II
(74) *Attorney, Agent, or Firm* — DLA Piper LLP US

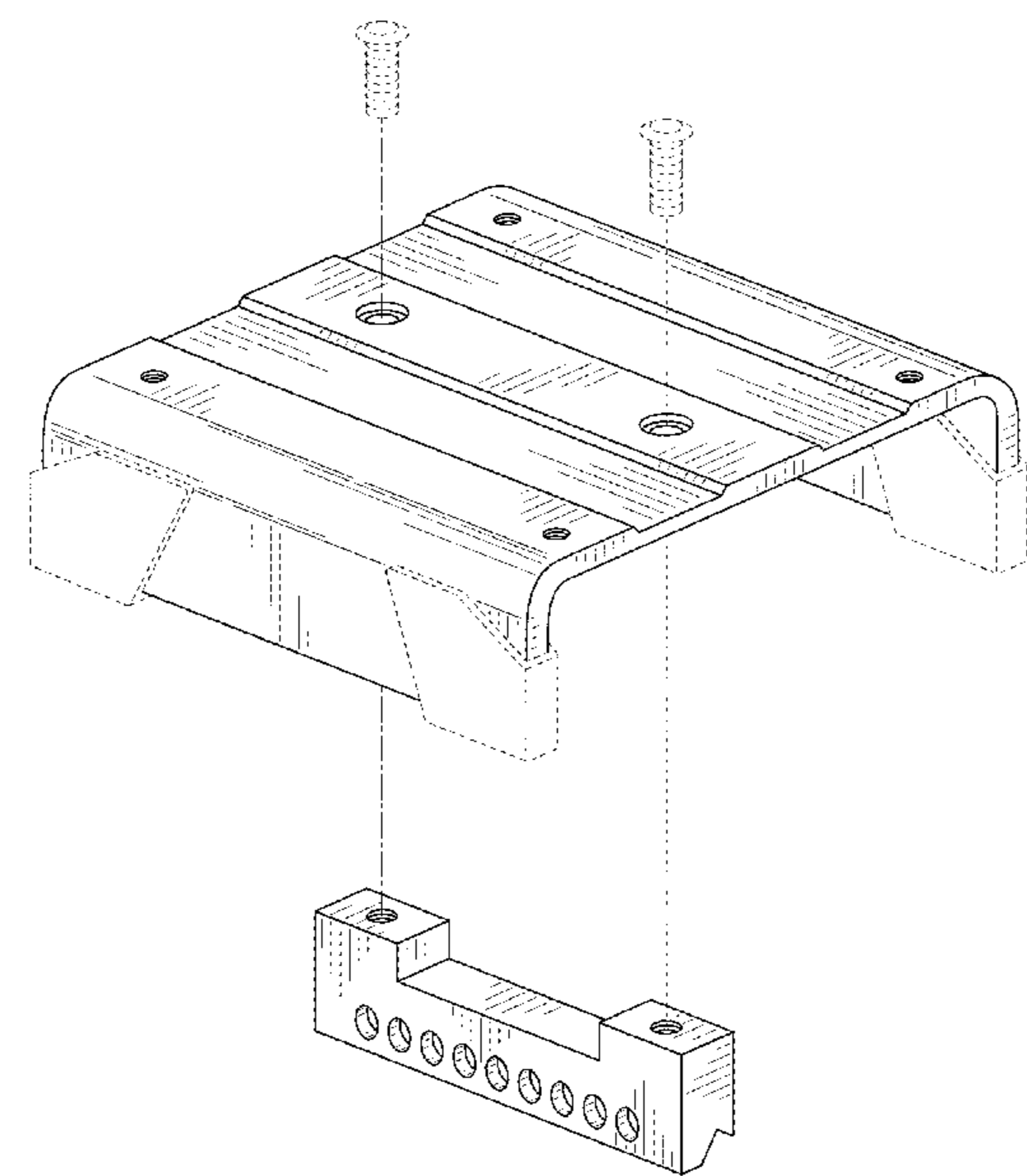
(57) **CLAIM**
The ornamental design for a monitor bracket, as shown and described.

DESCRIPTION

FIG. 1 is a exploded perspective view of the monitor bracket, including a bracket and a flange.
FIG. 2 is perspective view of the assembled monitor bracket, including the bracket and the flange.
FIG. 3 is a front view of the assembled monitor bracket, the back view being a mirror image thereof.
FIG. 4 is a top view of the monitor bracket.
FIG. 5 is a bottom view of the monitor bracket.
FIG. 6 is a right side view of the monitor bracket, the left side view being a mirror image thereof.
FIG. 7 is a front view of the monitor bracket, the back view being a mirror image thereof.
FIG. 8 is a top view of the flange of the monitor bracket.
FIG. 9 is a bottom view of the flange of the monitor bracket.
FIG. 10 is a right side view of the flange of the monitor bracket.
FIG. 11 is a left view of the flange of the monitor bracket; and,
FIG. 12 is a front view of the flange of the monitor bracket, the back view being a mirror image thereof.
The features shown in broken lines in the Figures form no part of the claimed design.

- (56) **References Cited**
U.S. PATENT DOCUMENTS
5,938,159 A * 8/1999 Hung A47B 21/0314
248/278.1
D621,390 S * 8/2010 Skull D14/239
8,342,462 B2 * 1/2013 Sapper F16M 11/10
248/124.1
8,511,032 B2 * 8/2013 Abdel-Rahman E04B 2/88
248/228.1
D749,399 S * 2/2016 Jenkins D8/354
9,247,861 B2 * 2/2016 Kan H04N 5/655
D823,093 S * 7/2018 Kanter D8/354
D823,094 S * 7/2018 Kanter D8/354

1 Claim, 6 Drawing Sheets



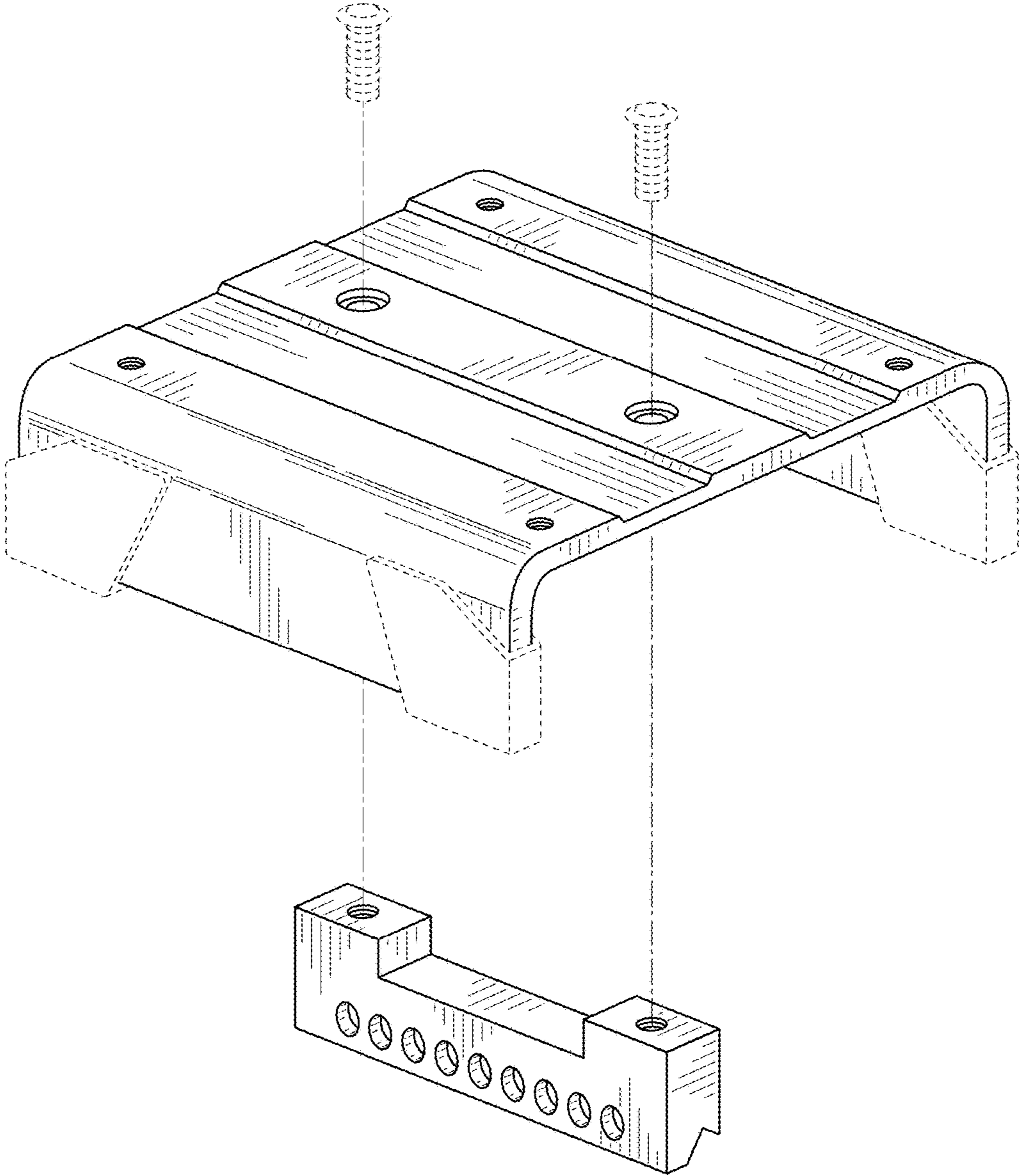


FIG. 1

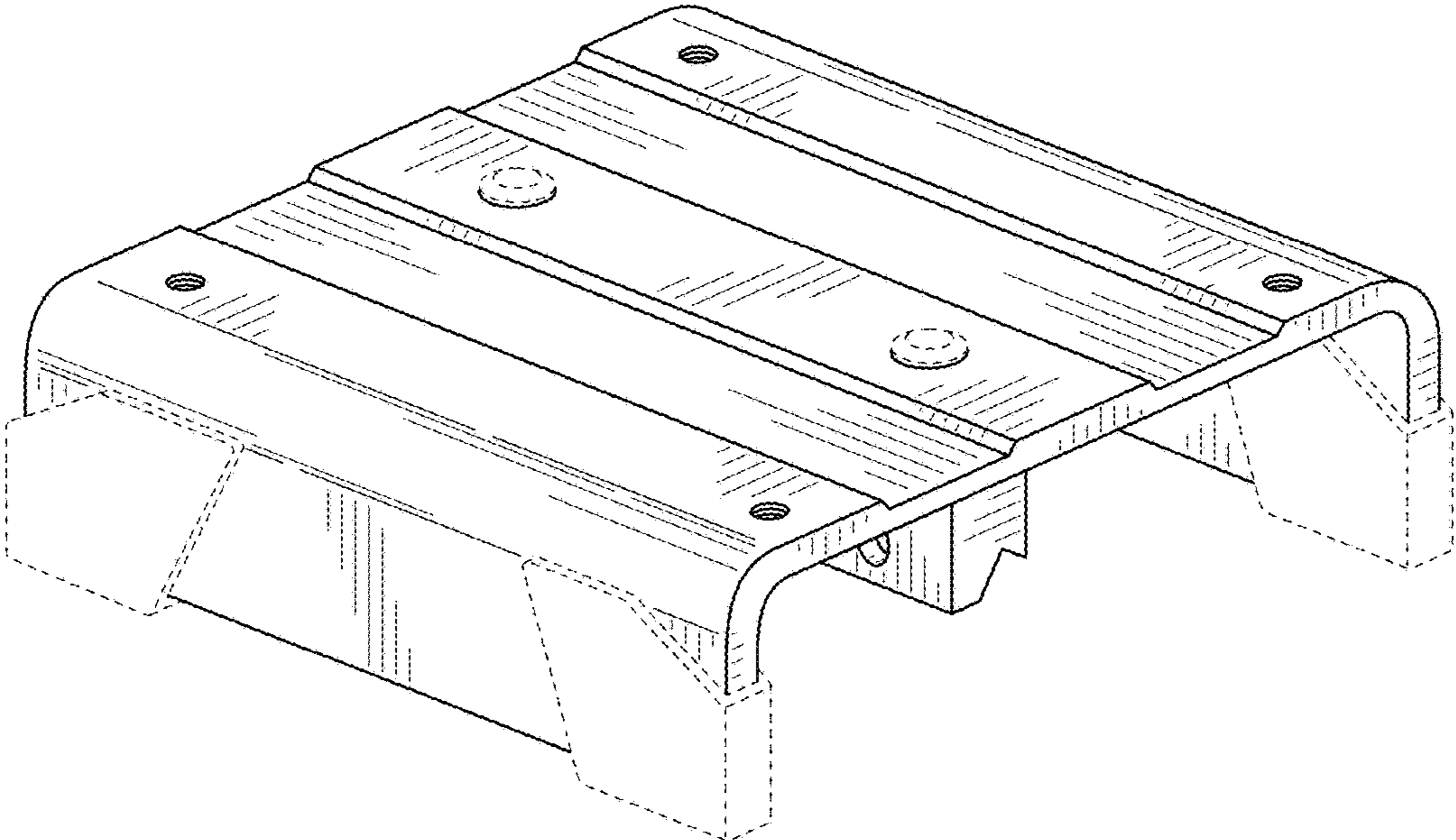


FIG. 2

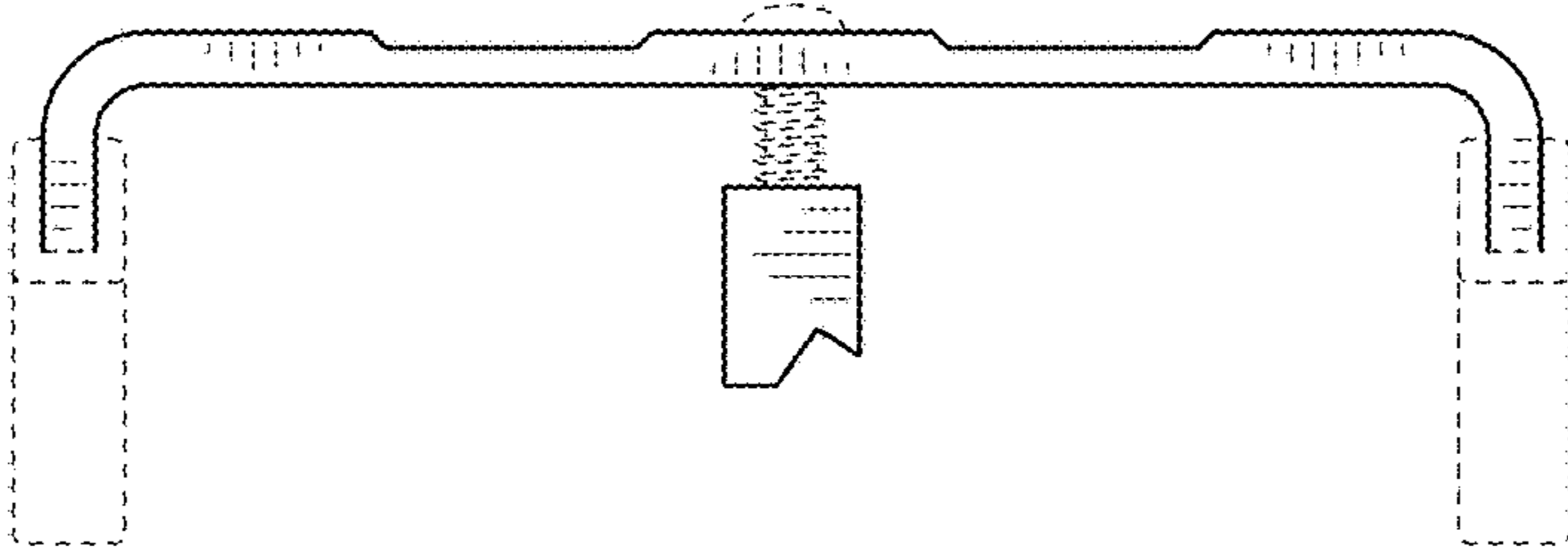


FIG. 3

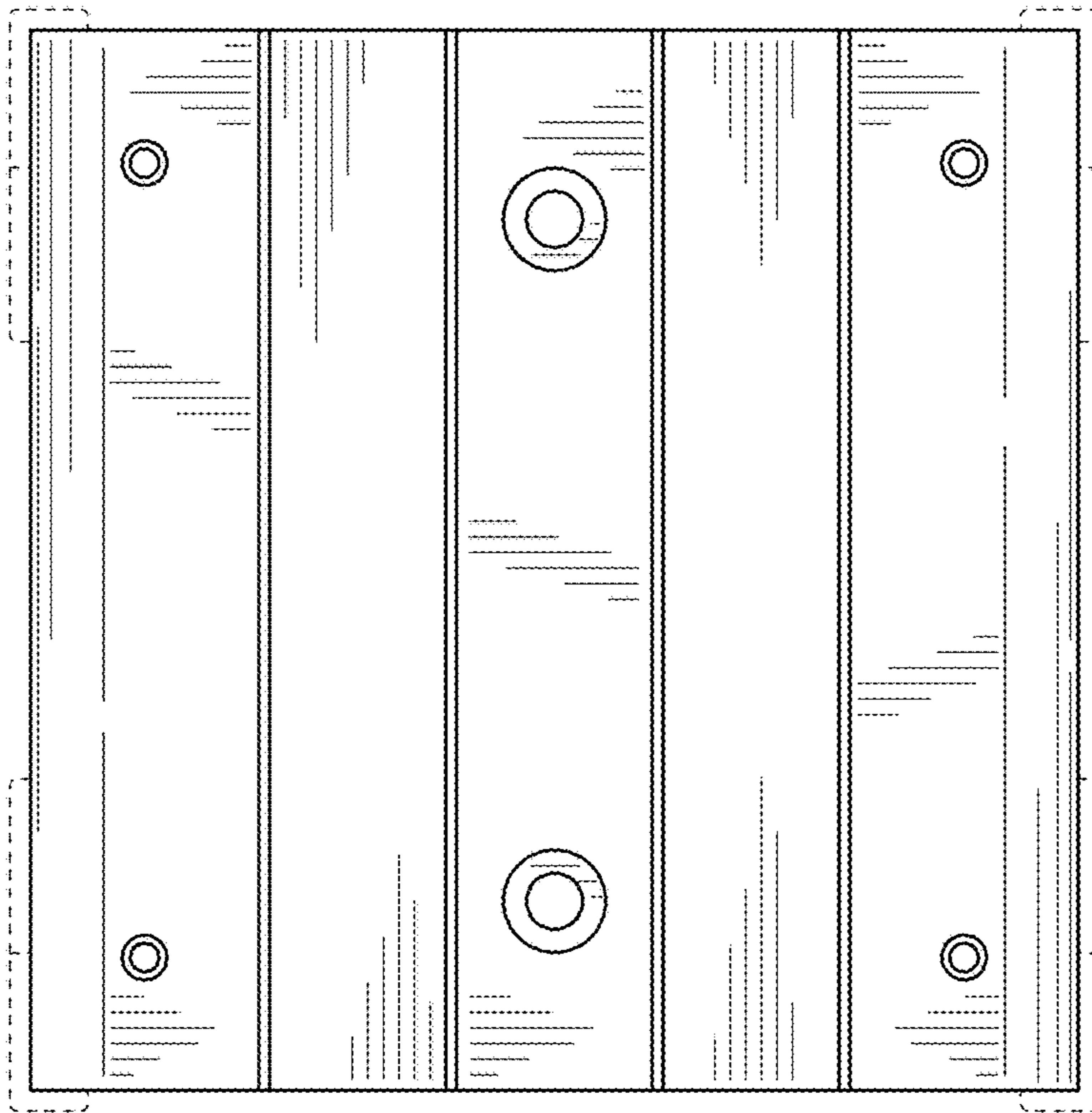


FIG. 4

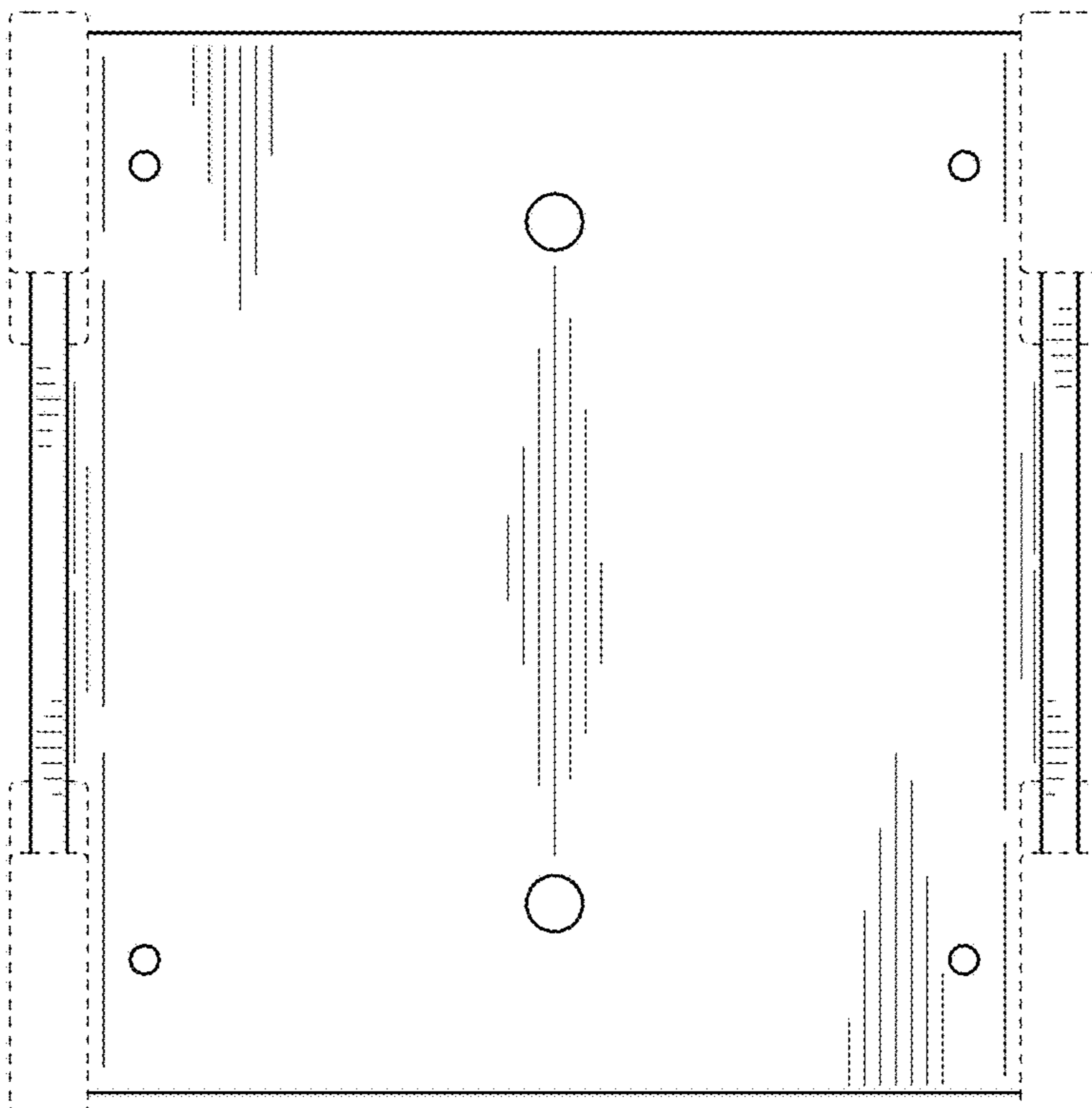


FIG. 5

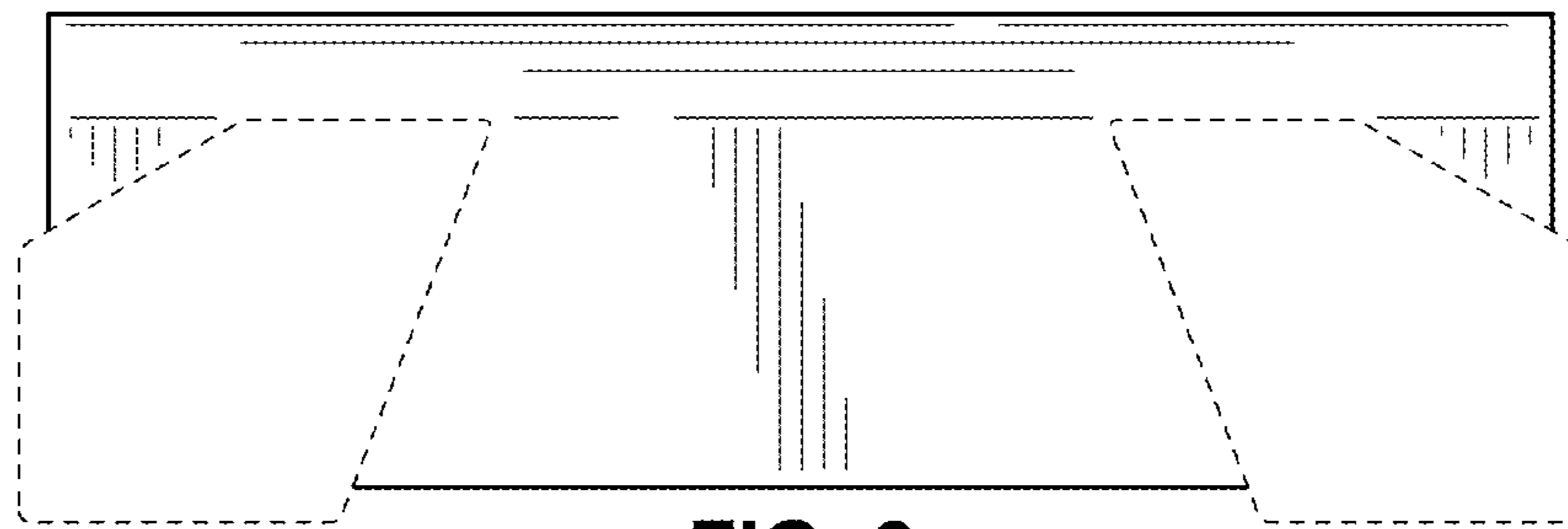


FIG. 6

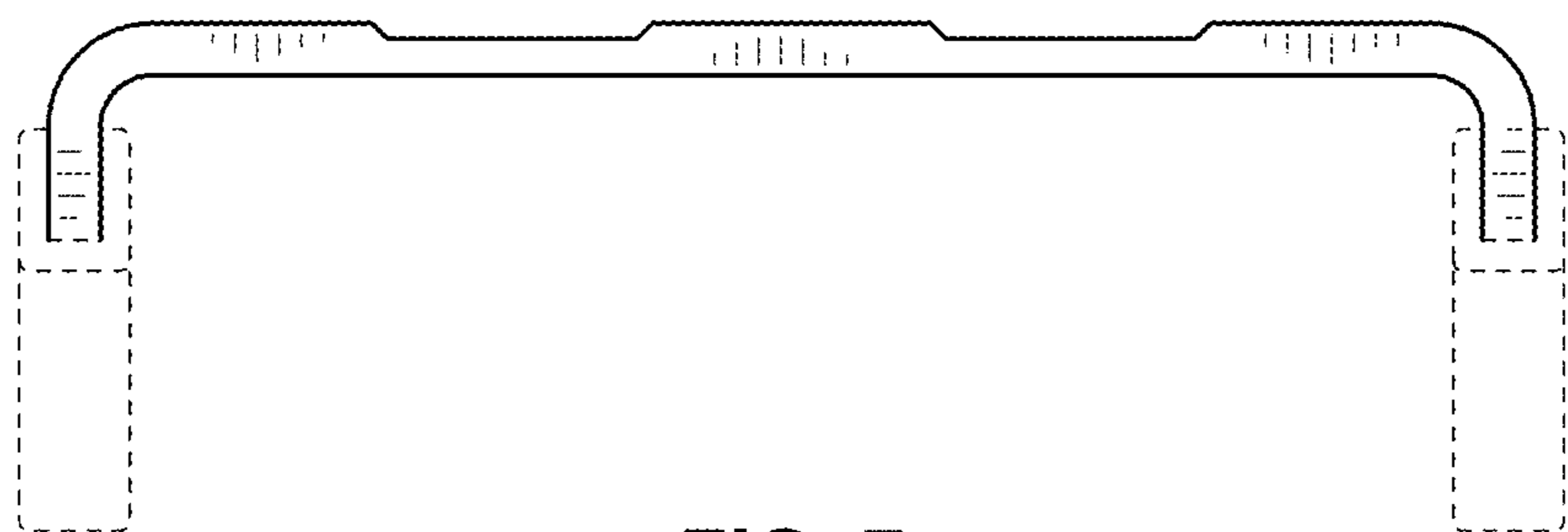


FIG. 7

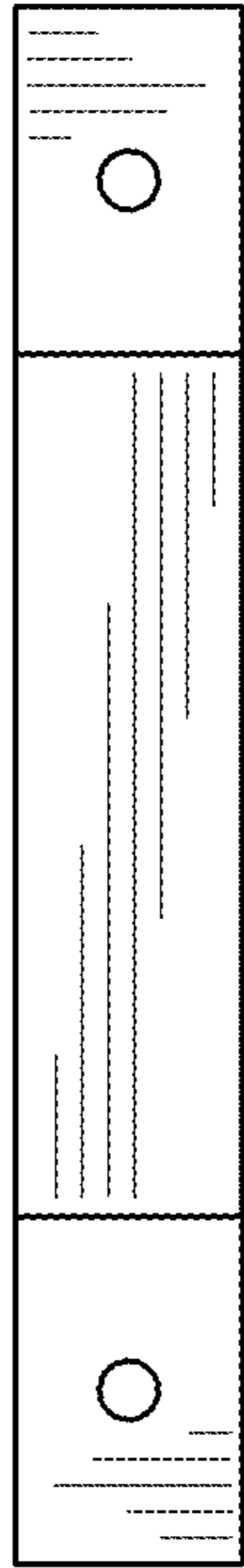


FIG. 8

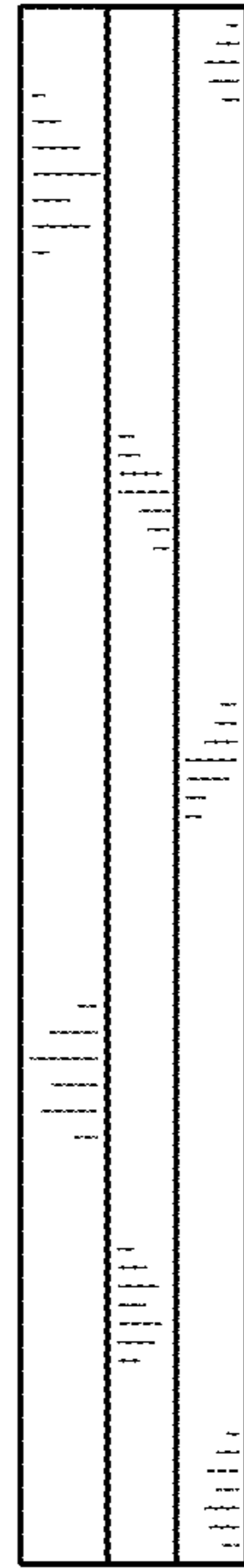


FIG. 9

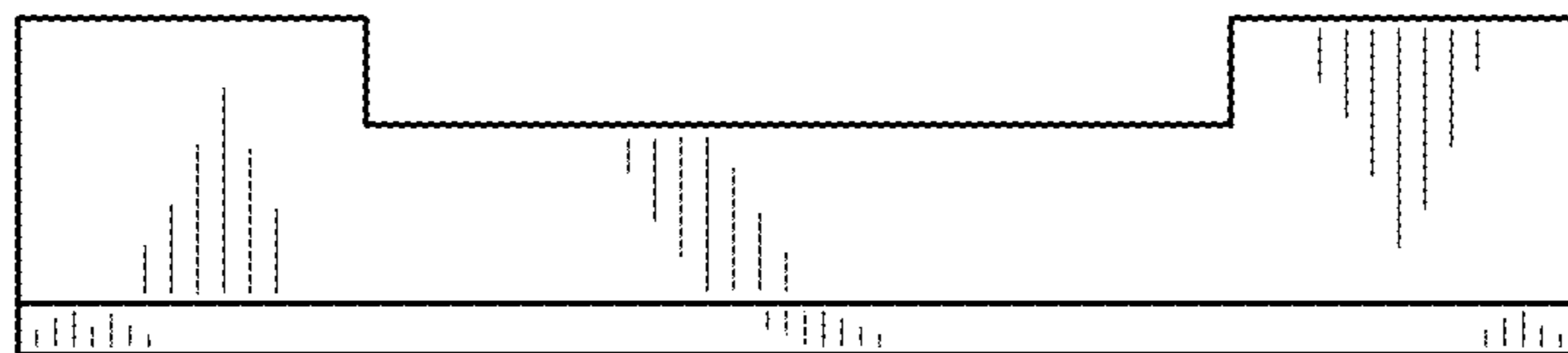


FIG. 10

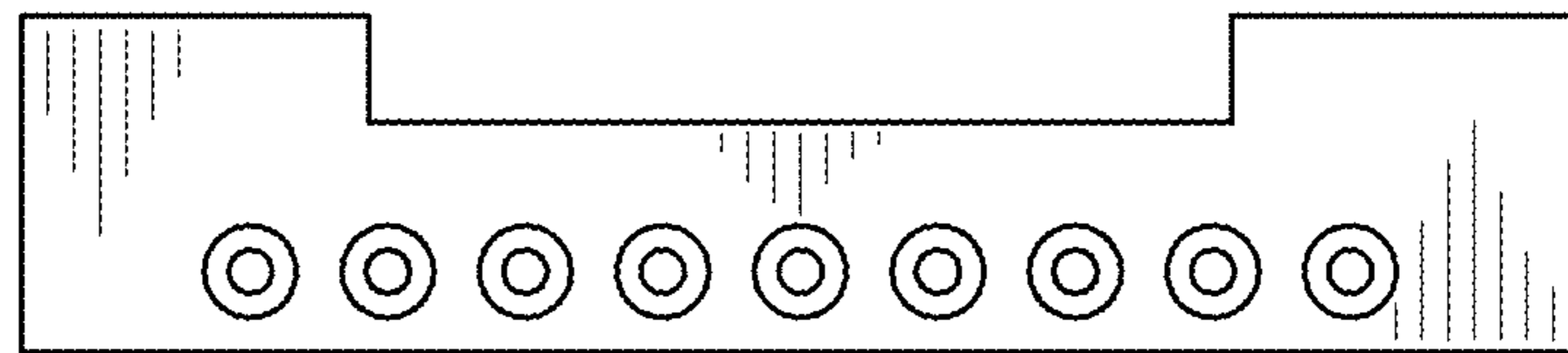


FIG. 11

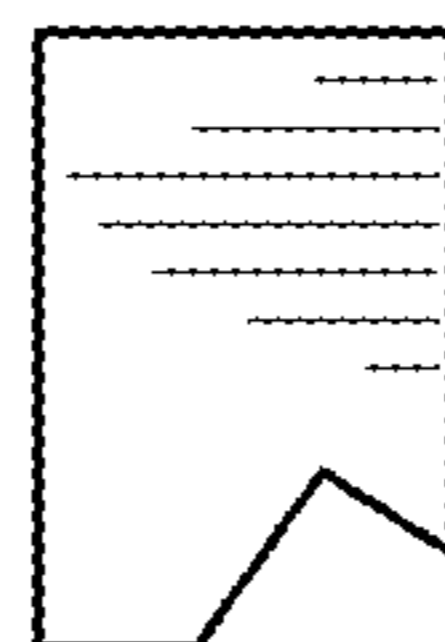


FIG. 12