



US00D830810S

(12) **United States Design Patent**  
**Harlander**

(10) **Patent No.:** **US D830,810 S**  
(45) **Date of Patent:** **\*\* Oct. 16, 2018**

(54) **DOOR HANDLE**

85/12; E05B 85/10; E05B 7/00; E05B  
1/0053; E05B 77/265

(71) Applicant: **EMKA Beschlagteile GmbH & Co.**  
**KG, Velbert (DE)**

See application file for complete search history.

(72) Inventor: **Nick Harlander, Leverkusen (DE)**

(73) Assignee: **EMKA Beschlagteile GmbH & Co.**  
**KG, Velbert (DE)**

(\*\*) Term: **15 Years**

(21) Appl. No.: **29/612,121**

(22) Filed: **Jul. 28, 2017**

(30) **Foreign Application Priority Data**

Jan. 31, 2017 (EM) ..... 003733484

(51) **LOC (11) Cl.** ..... **08-06**

(52) **U.S. Cl.**  
USPC ..... **D8/308**

(58) **Field of Classification Search**  
USPC ..... D8/300-302, 307-309; D23/250, 252,  
D23/254

CPC ..... Y10T 16/44; Y10T 74/20612; Y10T  
74/20732; Y10T 16/458; Y10T 16/498;  
Y10T 16/469; Y10T 16/476; Y10T  
74/20744; Y10T 74/20864; Y10T  
16/4628; Y10T 74/20642; Y10T 16/473;  
Y10T 74/20762; Y10T 74/2042; Y10T  
74/20828; Y10T 16/459; Y10T 16/4713;  
Y10T 74/2014; Y10T 16/50; Y10T  
74/20438; Y10T 74/20582; Y10T  
74/20738; Y10T 16/48; Y10T 74/20618;  
Y10T 74/20684; Y10T 74/20624; Y10T  
74/20468; Y10T 16/61; Y10T 16/4719;  
Y10T 16/86; Y10S 16/30; Y10S 292/31;  
Y10S 292/53; Y10S 16/12; Y10S 292/23;  
Y10S 292/27; Y10S 292/30; Y10S  
292/63; E05B 85/16; E05B 1/0015; E05B  
77/06; E05B 79/06; E05B 85/18; E05B

(56) **References Cited**

U.S. PATENT DOCUMENTS

|              |      |         |                    |                           |
|--------------|------|---------|--------------------|---------------------------|
| 2,939,308    | A *  | 6/1960  | Trammell, Jr. .... | E05B 13/106<br>292/336.3  |
| D197,050     | S *  | 12/1963 | Orenstein .....    | D8/302                    |
| D356,241     | S *  | 3/1995  | Decursu .....      | D8/302                    |
| D356,484     | S *  | 3/1995  | Scholl .....       | D8/308                    |
| 5,634,357    | A *  | 6/1997  | Nutter .....       | E05B 13/106<br>70/203     |
| D457,050     | S *  | 5/2002  | Caspersz .....     | D8/308                    |
| 6,546,765    | B1 * | 4/2003  | Linares .....      | E05B 13/108<br>16/412     |
| D492,570     | S *  | 7/2004  | Linares .....      | D8/308                    |
| D493,088     | S *  | 7/2004  | Kelly .....        | D8/302                    |
| D493,089     | S *  | 7/2004  | Samson .....       | D8/308                    |
| 6,868,703    | B2 * | 3/2005  | Molzer .....       | E05B 13/106<br>292/336.3  |
| D557,585     | S *  | 12/2007 | Linares .....      | D8/308                    |
| 9,080,347    | B2 * | 7/2015  | Le .....           | E05B 1/003                |
| 2005/0167995 | A1 * | 8/2005  | Wallis .....       | E05B 47/0673<br>292/336.3 |

(Continued)

*Primary Examiner* — Lauren R Calve

(74) *Attorney, Agent, or Firm* — Johnson, Marcou &  
Isaacs, LLC; Jennifer S. Stachniak

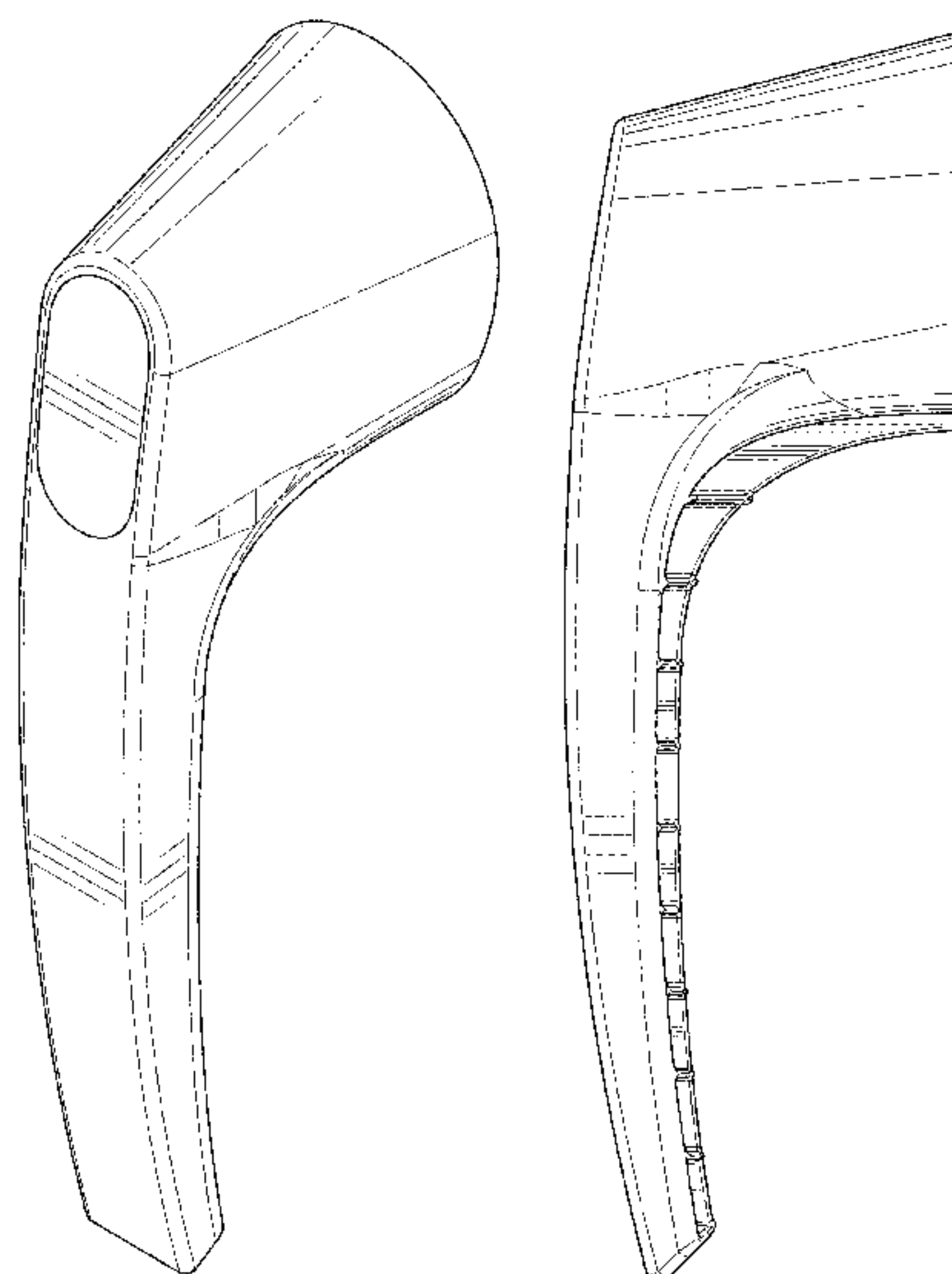
(57) **CLAIM**

The ornamental design for a door handle, as shown and  
described.

**DESCRIPTION**

FIG. 1 shows a top perspective view of a door handle;  
FIG. 2 shows a rear view of the door handle;  
FIG. 3 shows a right side view of the door handle;  
FIG. 4 shows a left side view of the door handle; and,  
FIG. 5 shows a top view of the door handle.

**1 Claim, 5 Drawing Sheets**



(56)

**References Cited**

U.S. PATENT DOCUMENTS

2013/0264833 A1\* 10/2013 Linnasen ..... E05B 3/06  
292/336.3  
2017/0107739 A1\* 4/2017 Ruff ..... E05B 45/06

\* cited by examiner

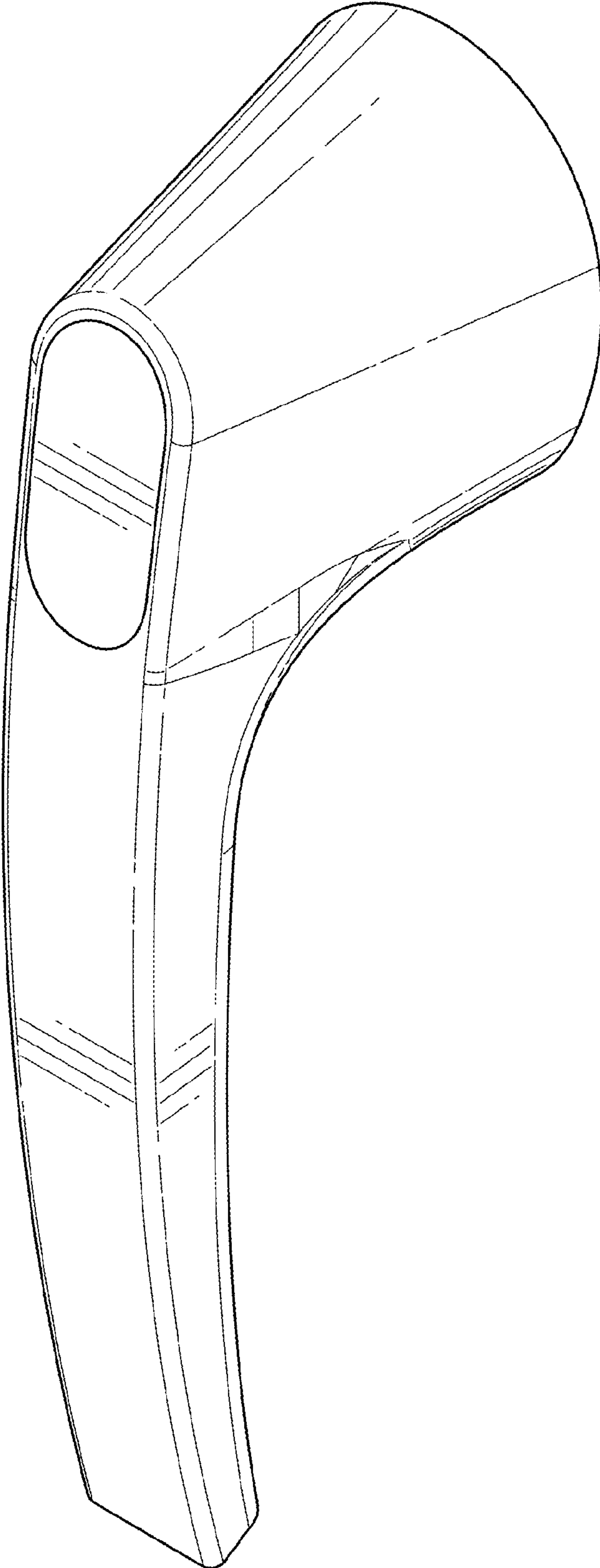


FIG. 1

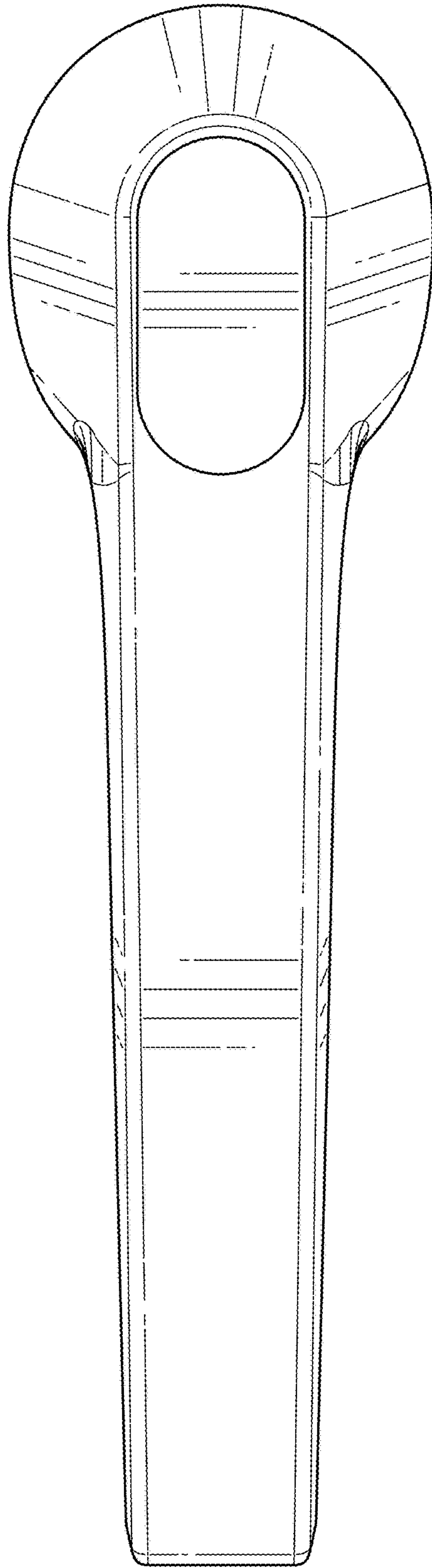


FIG. 2

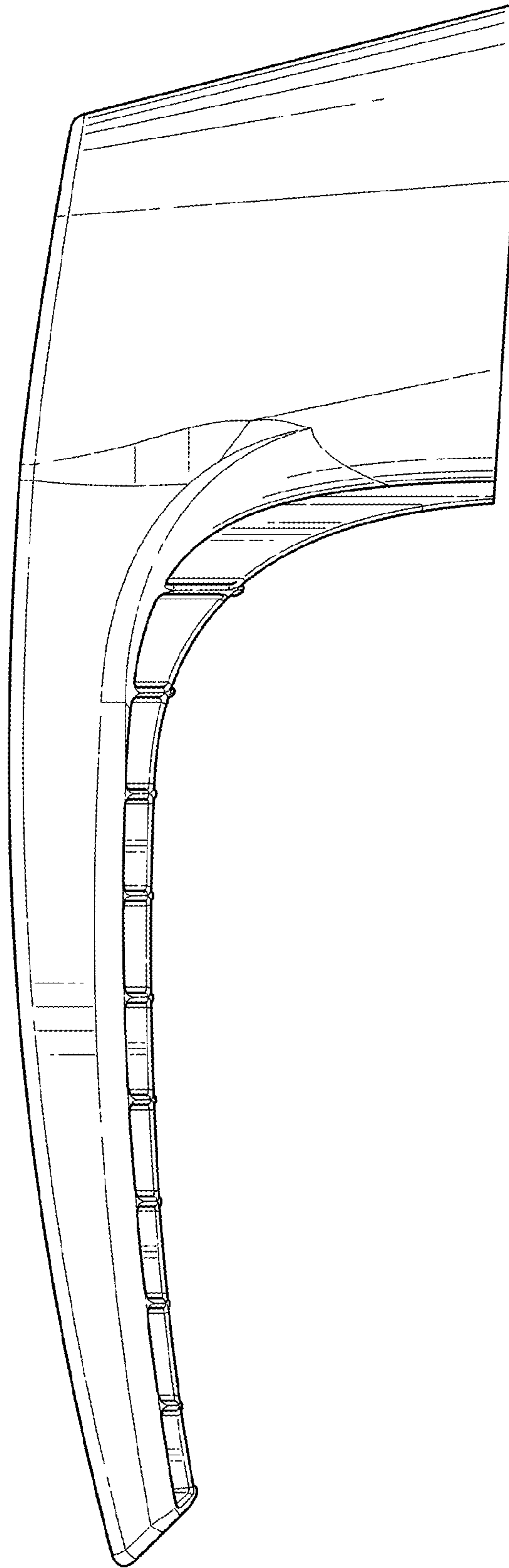


FIG. 3

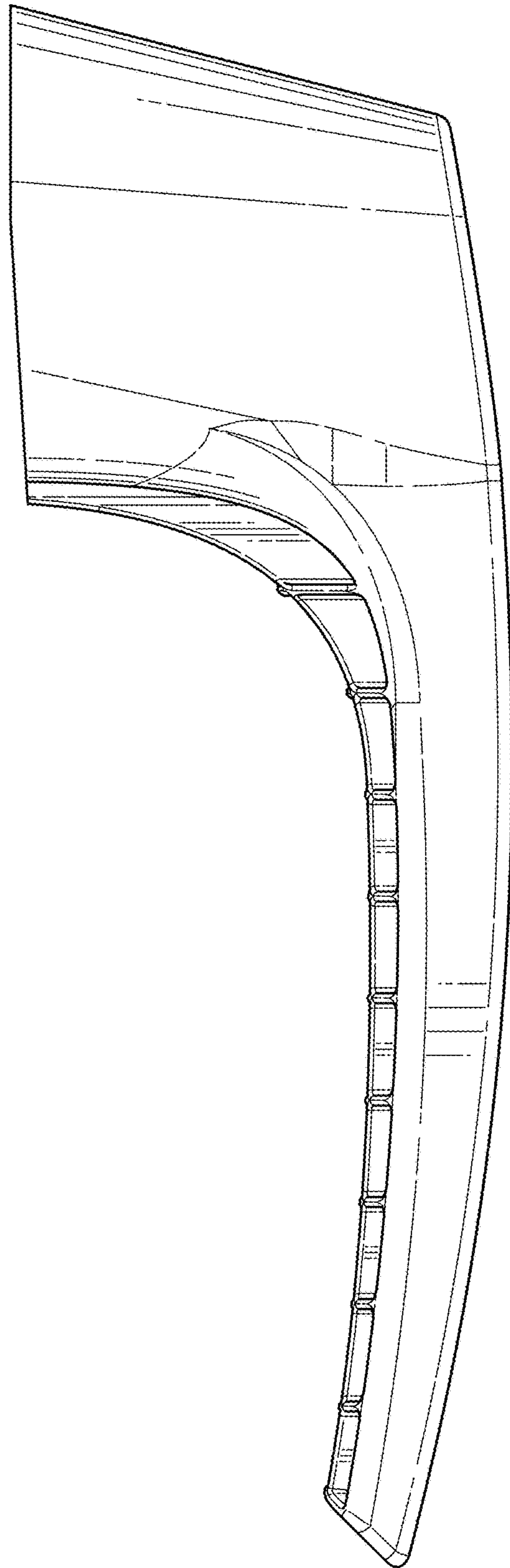


FIG. 4

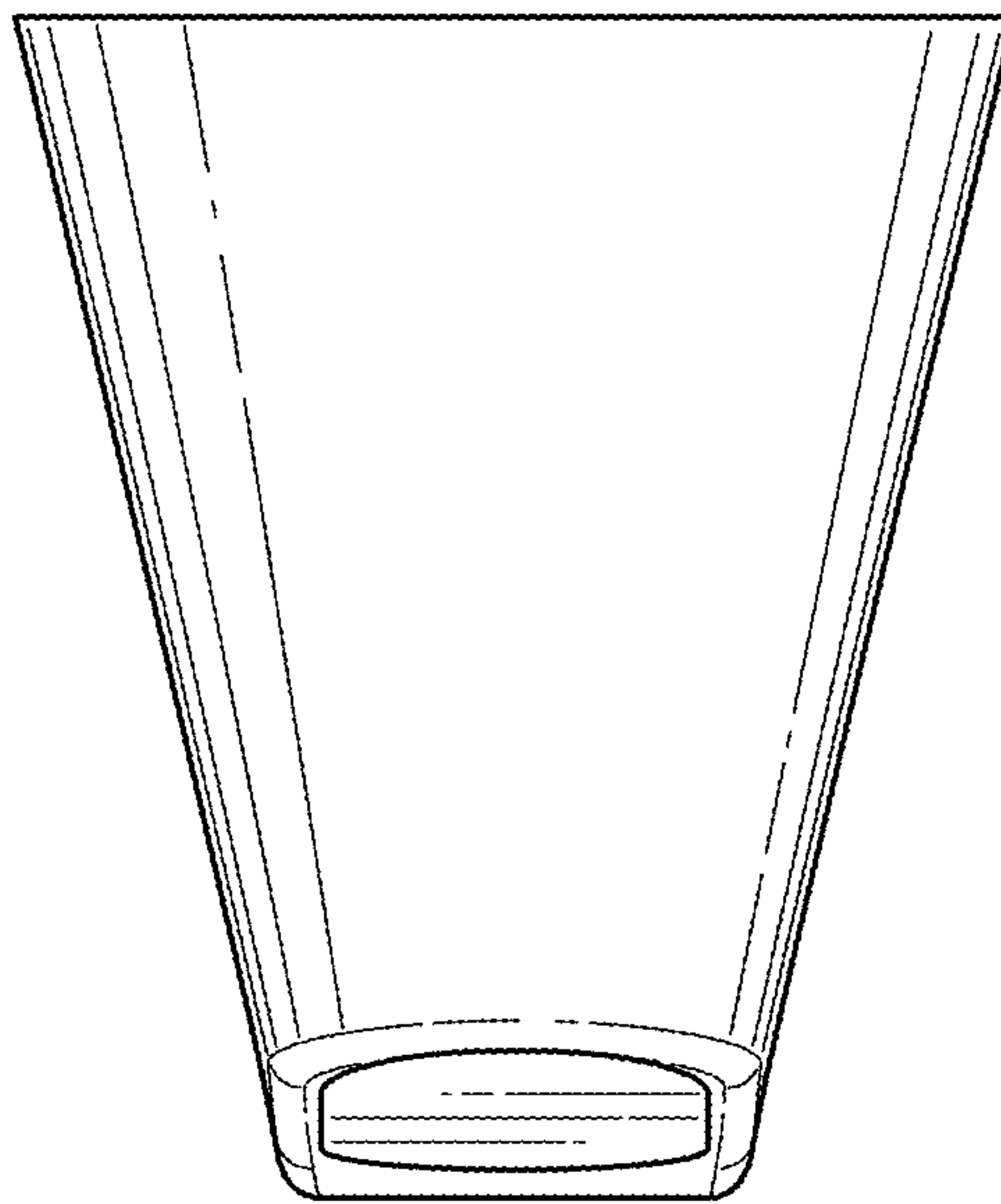


FIG. 5