

US00D830809S

(12) **United States Design Patent** (10) **Patent No.:** **US D830,809 S**  
**Kuo** (45) **Date of Patent:** **\*\* Oct. 16, 2018**

(54) **HAND CLAMP**

(71) Applicant: **SHENG PU PROMOTION CO., LTD.**, Xinbei (TW)

(72) Inventor: **Teng-Tang Kuo**, Keelung (TW)

(73) Assignee: **SHENG PU PROMOTION CO., LTD.**, Xinbei (TW)

(\*\*) Term: **15 Years**

(21) Appl. No.: **29/584,215**

(22) Filed: **Nov. 12, 2016**

(51) **LOC (11) Cl.** ..... **08-05**

(52) **U.S. Cl.**  
USPC ..... **D8/72**

(58) **Field of Classification Search**  
USPC ..... D8/71-74, 394-399, 354, 355, 356, 59;  
248/62, 63, 72, 74.1, 689, 124.2; 81/487,  
81/385, 386, 388-390; 269/3, 4, 6, 143,  
269/165, 240, 243, 246-249, 254 R,  
269/147-149; 29/256, 257, 276;  
D15/140; D24/143; 408/103, 104-109;  
D7/683, 685, 686; D6/684  
CPC ..... B25B 1/00; B25B 5/00; B25B 1/2478;  
B25B 1/103; B25B 1/22; B25B 1/2405;  
B25B 1/2457

See application file for complete search history.

(56) **References Cited**

**U.S. PATENT DOCUMENTS**

D350,892 S \* 9/1994 Sorensen ..... D8/395  
5,791,210 A \* 8/1998 Wolff ..... B25B 5/06  
269/254 R  
D433,318 S \* 11/2000 Chang ..... D8/395  
D457,409 S \* 5/2002 Noniewicz ..... D8/395  
D470,029 S \* 2/2003 Wolff ..... D8/72  
D473,776 S \* 4/2003 Hopper ..... D8/72  
6,564,703 B1 \* 5/2003 Lin ..... B25B 5/06  
100/234

D476,208 S \* 6/2003 Lee ..... D8/52  
D481,606 S \* 11/2003 Ben-Gigi ..... D8/72  
D481,921 S \* 11/2003 Ben-Gigi ..... D8/72  
D485,481 S \* 1/2004 Wolff ..... D8/72  
D487,688 S \* 3/2004 Brass ..... D8/72  
D491,433 S \* 6/2004 Noniewicz ..... D8/52  
D514,914 S \* 2/2006 Degen ..... D8/72  
D514,915 S \* 2/2006 Wang ..... D8/72  
D515,386 S \* 2/2006 Noniewicz ..... D8/72  
7,172,183 B1 \* 2/2007 Yang ..... B25B 5/068  
269/3  
D555,454 S \* 11/2007 Noniewicz ..... D8/72  
D557,098 S \* 12/2007 Noniewicz ..... D8/72

(Continued)

**OTHER PUBLICATIONS**

Sheng Pu Promotion Co website, self-locking clamp, Mar. 26, 2018,  
<https://sptools.en.taiwantrade.com/product/self-locking-clamp-1410482.html>.\*

*Primary Examiner* — David G Muller  
*Assistant Examiner* — Nathan M Johnston  
(74) *Attorney, Agent, or Firm* — Pai Patent & Trademark  
Law Firm; Chao-Chang David Pai

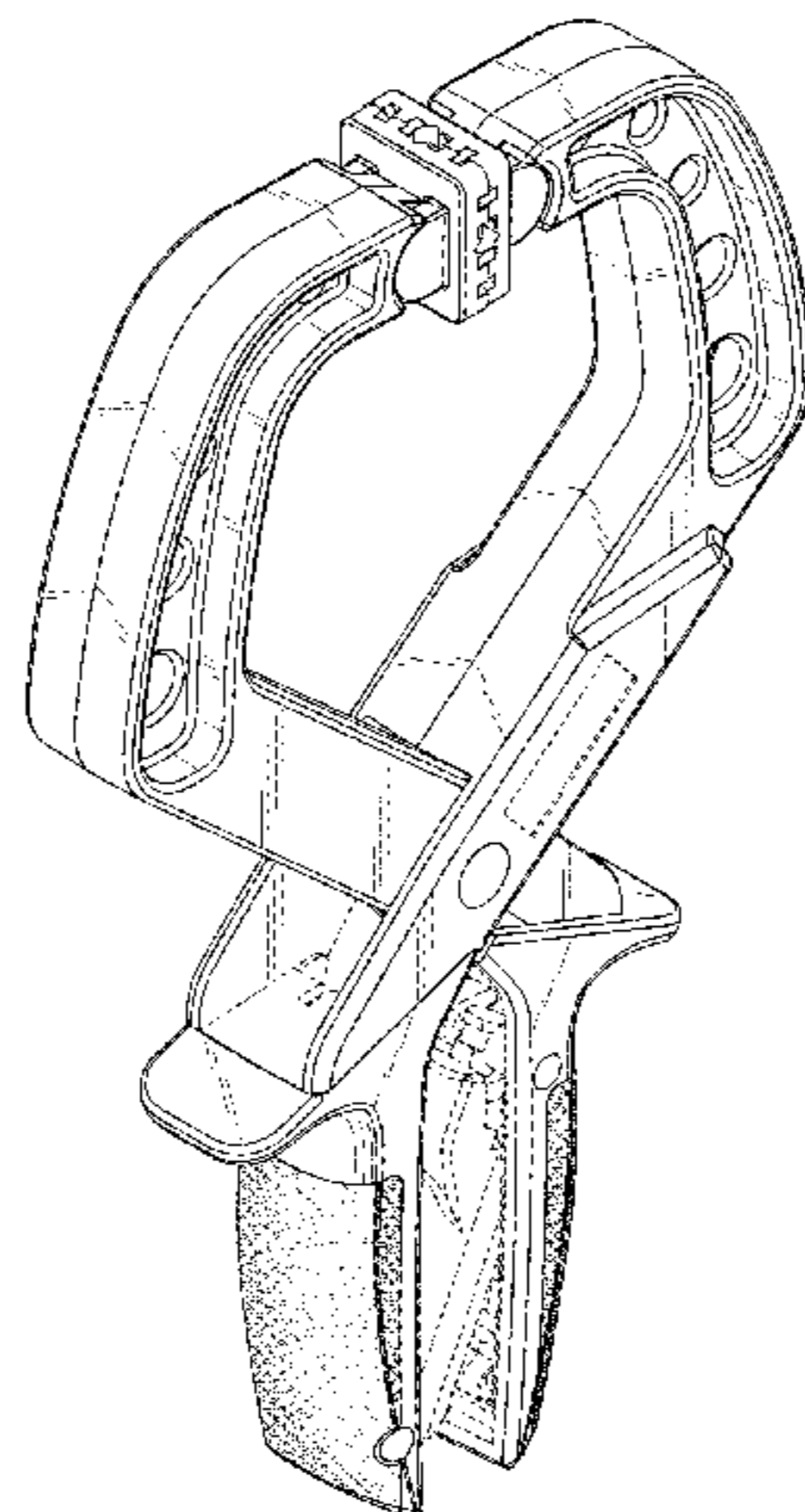
(57) **CLAIM**

The ornamental design for a hand clamp, as shown and described.

**DESCRIPTION**

FIG. 1 is a left side perspective view of a hand clamp, showing my new design;  
FIG. 2 is a front elevational view thereof;  
FIG. 3 is a rear elevational view thereof;  
FIG. 4 is a left side elevational view thereof;  
FIG. 5 is a right side elevational view thereof;  
FIG. 6 is a top plan view thereof; and,  
FIG. 7 is a bottom plan view thereof.  
The broken lines illustrate portions of the hand clamp that form no part of the claimed design.

**1 Claim, 6 Drawing Sheets**



(56)

**References Cited**

U.S. PATENT DOCUMENTS

D634,011 S \* 3/2011 Phillips ..... D24/143  
8,137,379 B2 \* 3/2012 Labash ..... A61H 39/04  
269/3  
8,286,954 B2 \* 10/2012 Zheng ..... B25B 5/06  
269/188  
D750,462 S \* 3/2016 Noniewicz ..... D8/72  
2005/0077666 A1 \* 4/2005 Chang ..... B25B 7/02  
269/6  
2006/0043660 A1 \* 3/2006 Ping ..... B25B 5/068  
269/6  
2006/0208407 A1 \* 9/2006 Wang ..... B25B 5/06  
269/6

\* cited by examiner

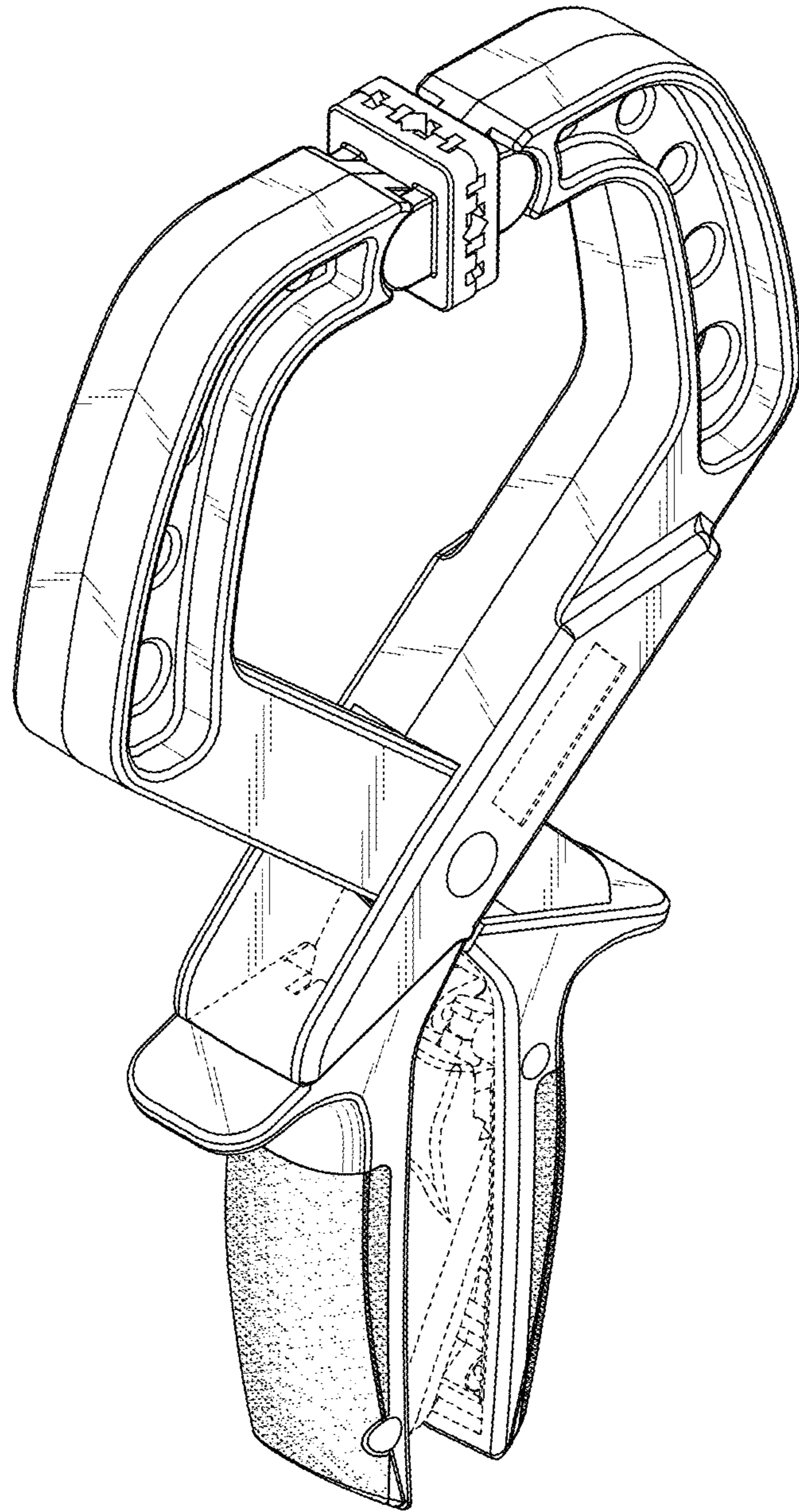


FIG. 1

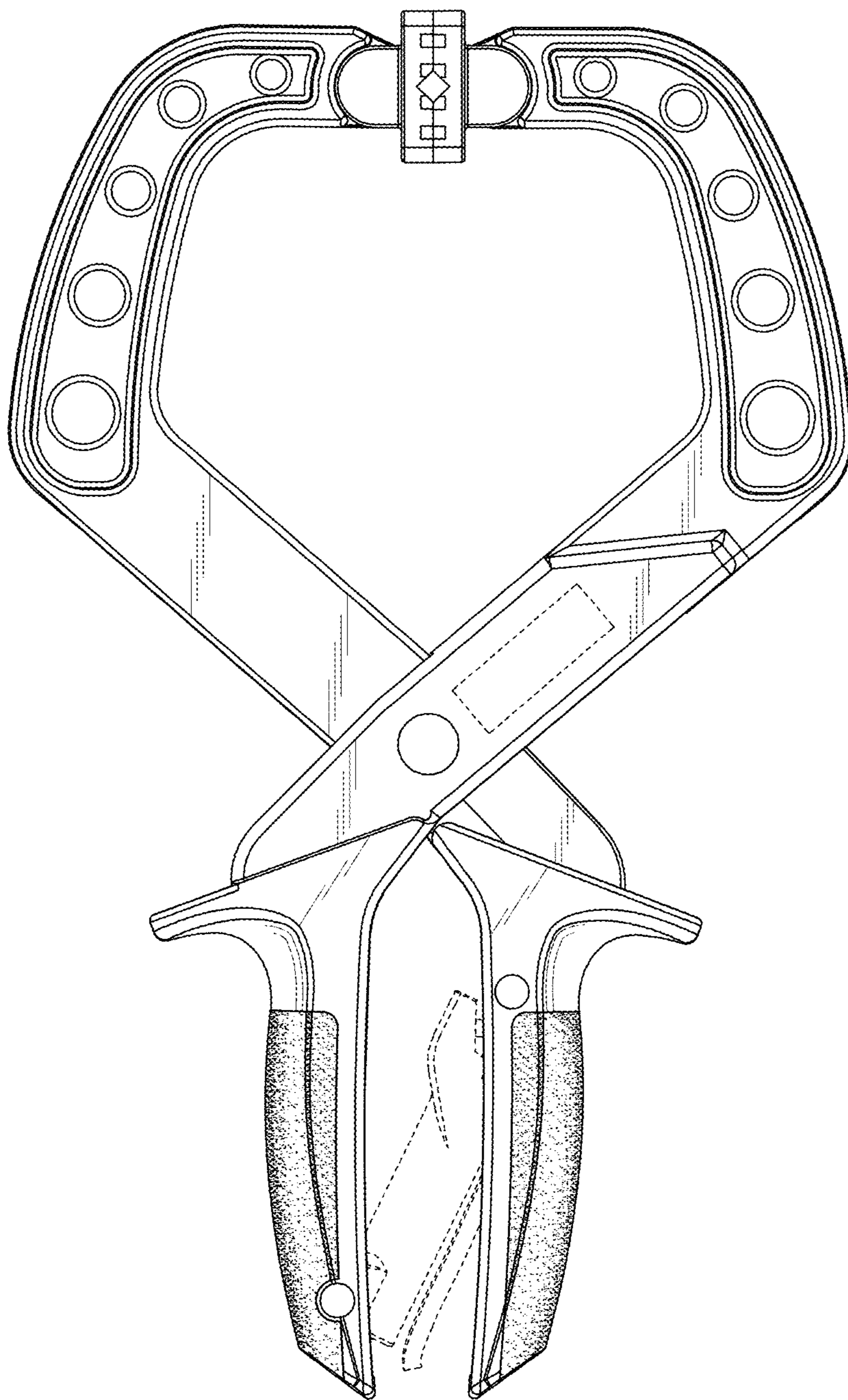


FIG. 2

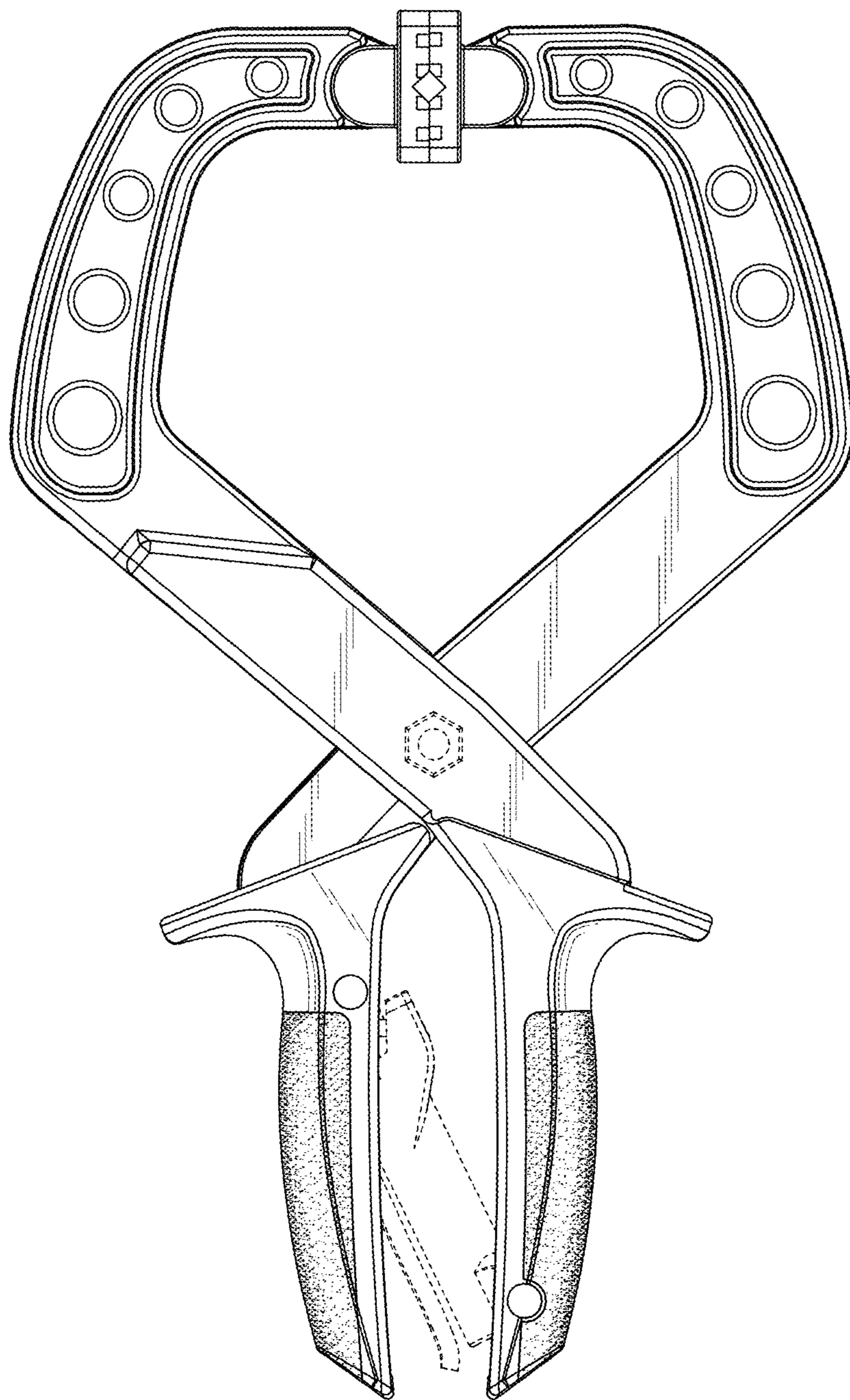


FIG. 3

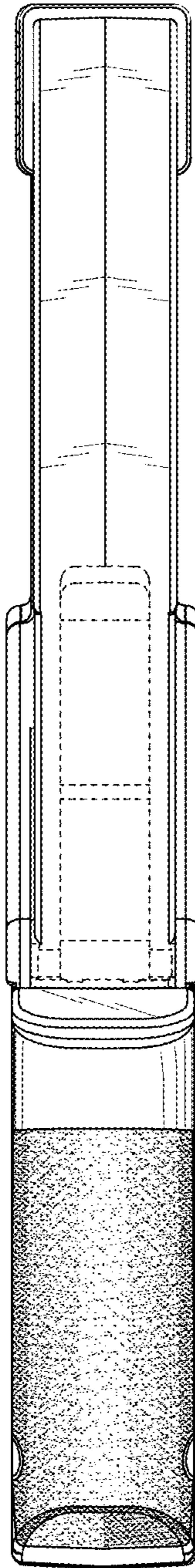


FIG. 4

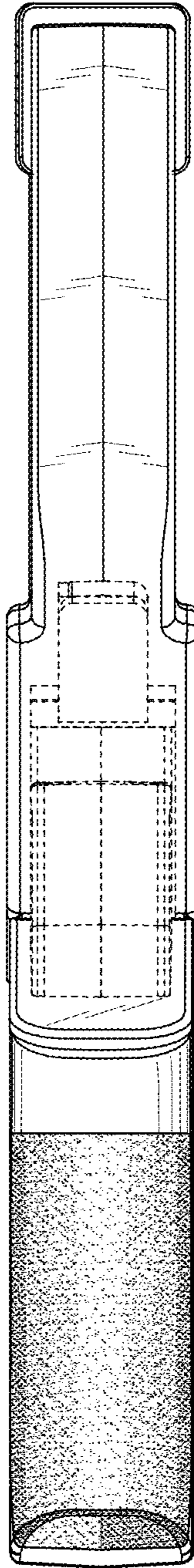


FIG. 5

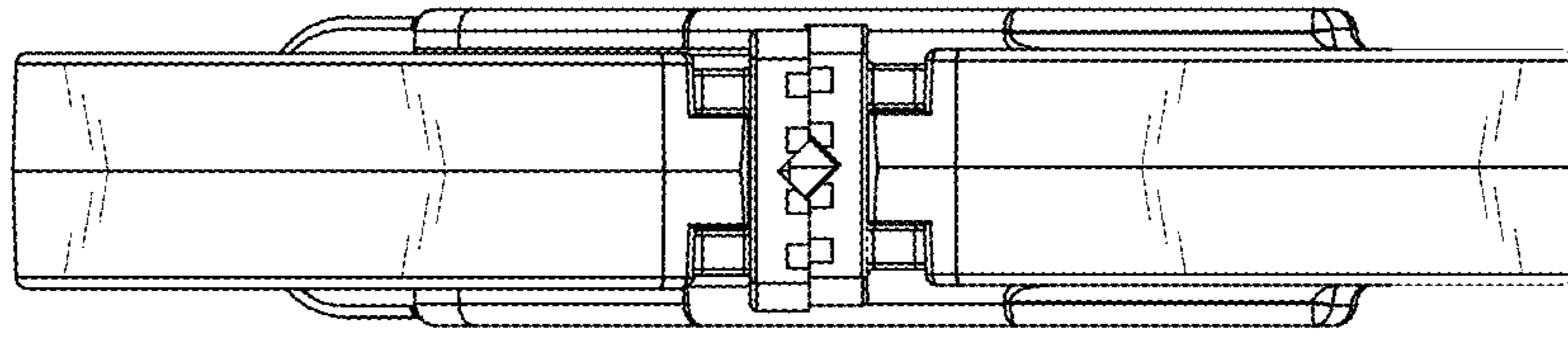


FIG. 6

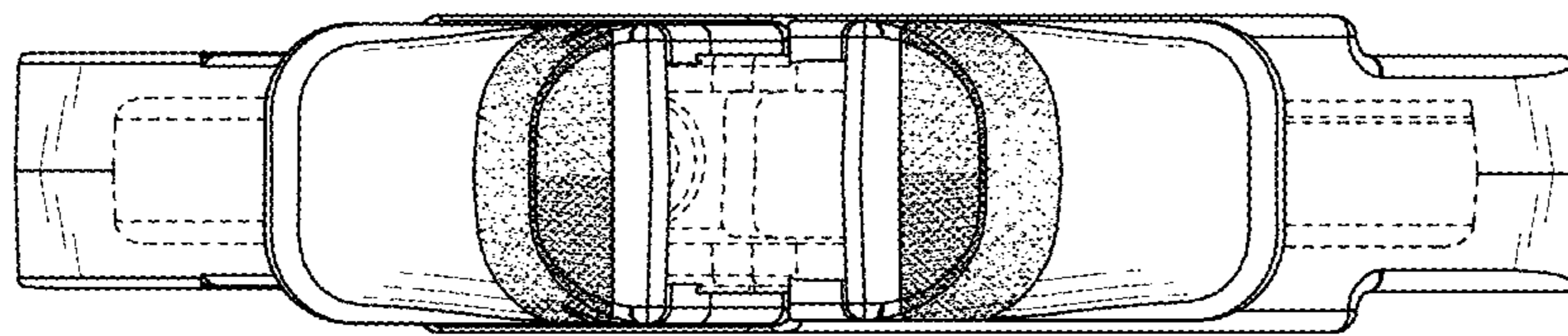


FIG. 7