

US00D830808S

(12) **United States Design Patent**
Tamura

(10) **Patent No.:** **US D830,808 S**

(45) **Date of Patent:** **** Oct. 16, 2018**

(54) **BREAKER**

(71) Applicant: **Hilti Aktiengesellschaft, Schaan (LI)**

(72) Inventor: **Motoki Tamura, Tokyo (JP)**

(73) Assignee: **Hilti Aktiengesellschaft, Schaan (LI)**

(**) Term: **15 Years**

(21) Appl. No.: **29/603,765**

(22) Filed: **May 12, 2017**

(30) **Foreign Application Priority Data**

Nov. 14, 2016 (LI) 2016-793

(51) **LOC (11) Cl.** **08-05**

(52) **U.S. Cl.**
USPC **D8/69**

(58) **Field of Classification Search**
USPC D8/14.1, 61-70
CPC B25D 16/00; B25D 17/02; B25D 11/125
See application file for complete search history.

(56) **References Cited**

U.S. PATENT DOCUMENTS

D491,438 S *	6/2004	Cheung	D8/68
D525,849 S *	8/2006	Hayakawa	D8/69
D555,451 S *	11/2007	Okuda	D8/69
D575,606 S *	8/2008	Okouchi	D8/69
D581,235 S *	11/2008	Aglassinger	D8/69
D587,547 S *	3/2009	Aglassinger	D8/69
D592,028 S *	5/2009	Taniguchi	D8/69

D595,101 S *	6/2009	Bast	D8/68
D604,583 S *	11/2009	Yamamoto	D8/69
D610,478 S *	2/2010	Bast	D10/69
D691,011 S *	10/2013	Walz	D8/68
D740,636 S *	10/2015	Koeniger	D8/69
D743,228 S *	11/2015	Koeniger	D8/69
D797,535 S *	9/2017	Koeniger	D8/69
D815,933 S *	4/2018	Koeniger	D8/69
2013/0025895 A1 *	1/2013	Friedrich	B25D 17/06 173/133
2014/0144658 A1 *	5/2014	Schmid	B25D 11/0005 173/90

* cited by examiner

Primary Examiner — Darlington Ly

(74) *Attorney, Agent, or Firm* — Crowell & Moring LLP

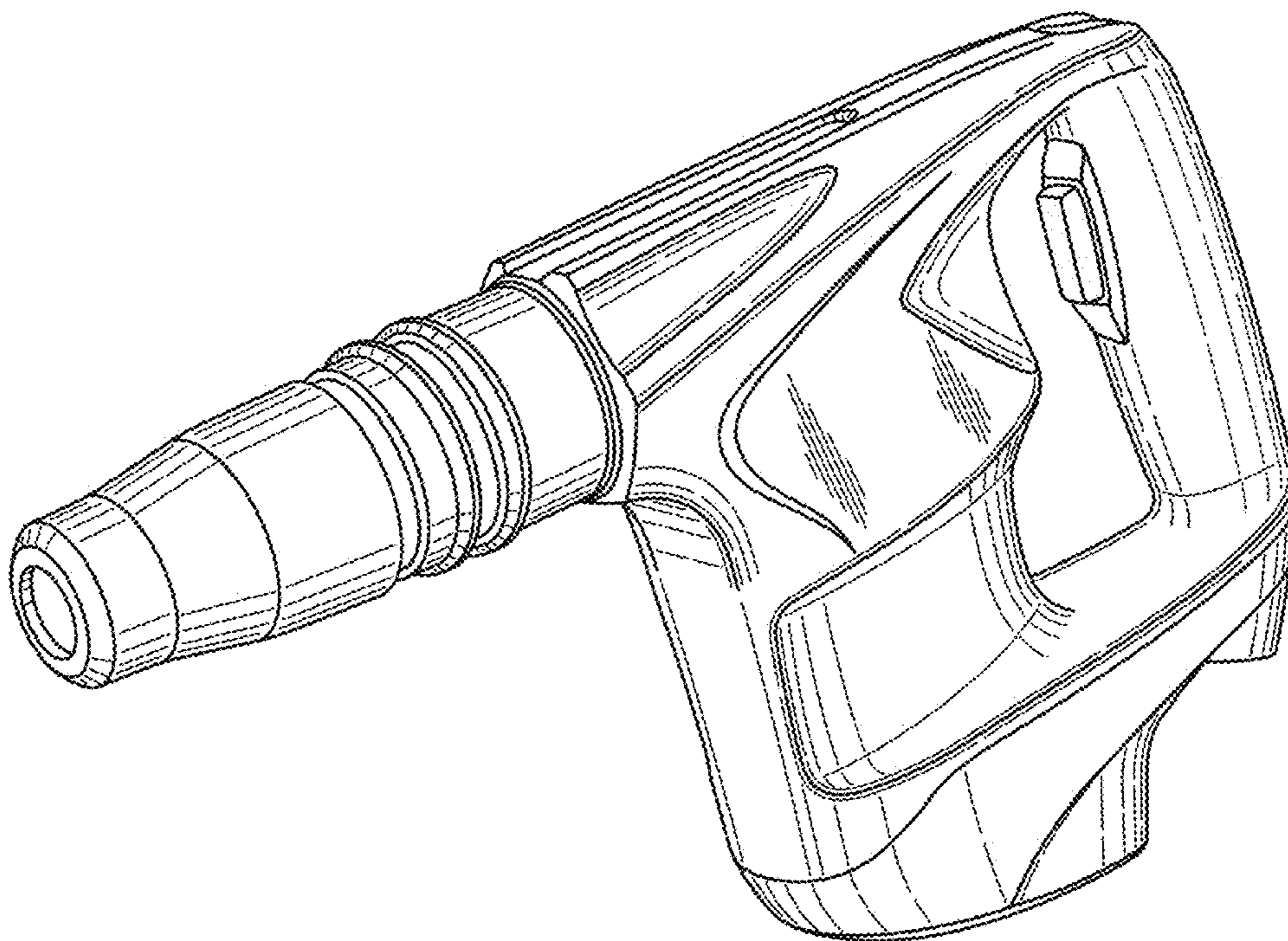
(57) **CLAIM**

The ornamental design for a breaker, as shown and described.

DESCRIPTION

FIG. 1 is a top, front, and left side perspective view of a breaker showing my new design;
FIG. 2 is a top, front, and right side perspective view thereof;
FIG. 3 is a left side elevation view thereof;
FIG. 4 is a right side elevation view thereof;
FIG. 5 is a front elevation view thereof;
FIG. 6 is a rear elevation view thereof;
FIG. 7 is a top plan view thereof; and,
FIG. 8 is a bottom plan view thereof.
The broken lines in the drawings illustrate portions of the breaker that form no part of the claimed design.

1 Claim, 8 Drawing Sheets



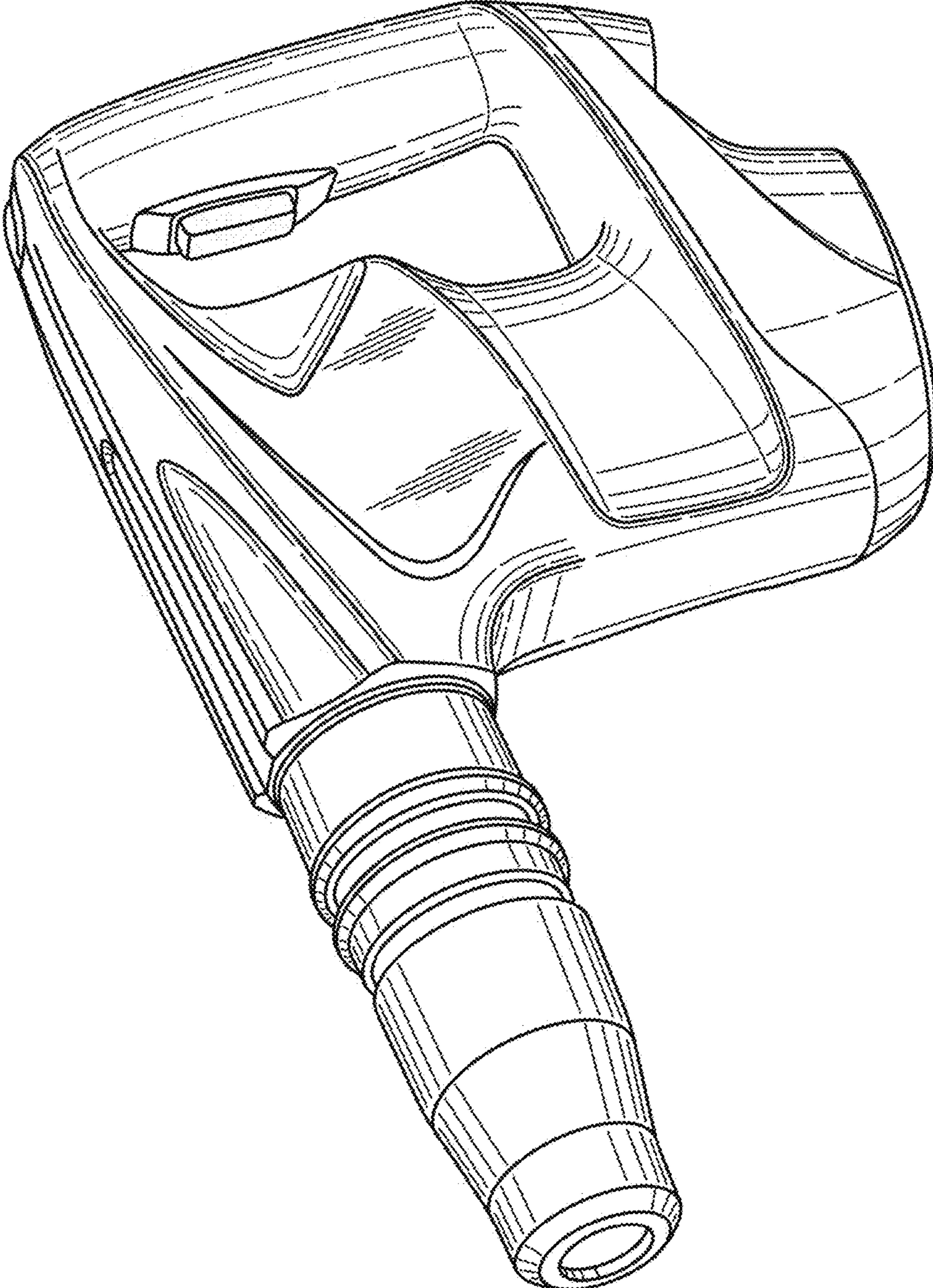


Fig. 1

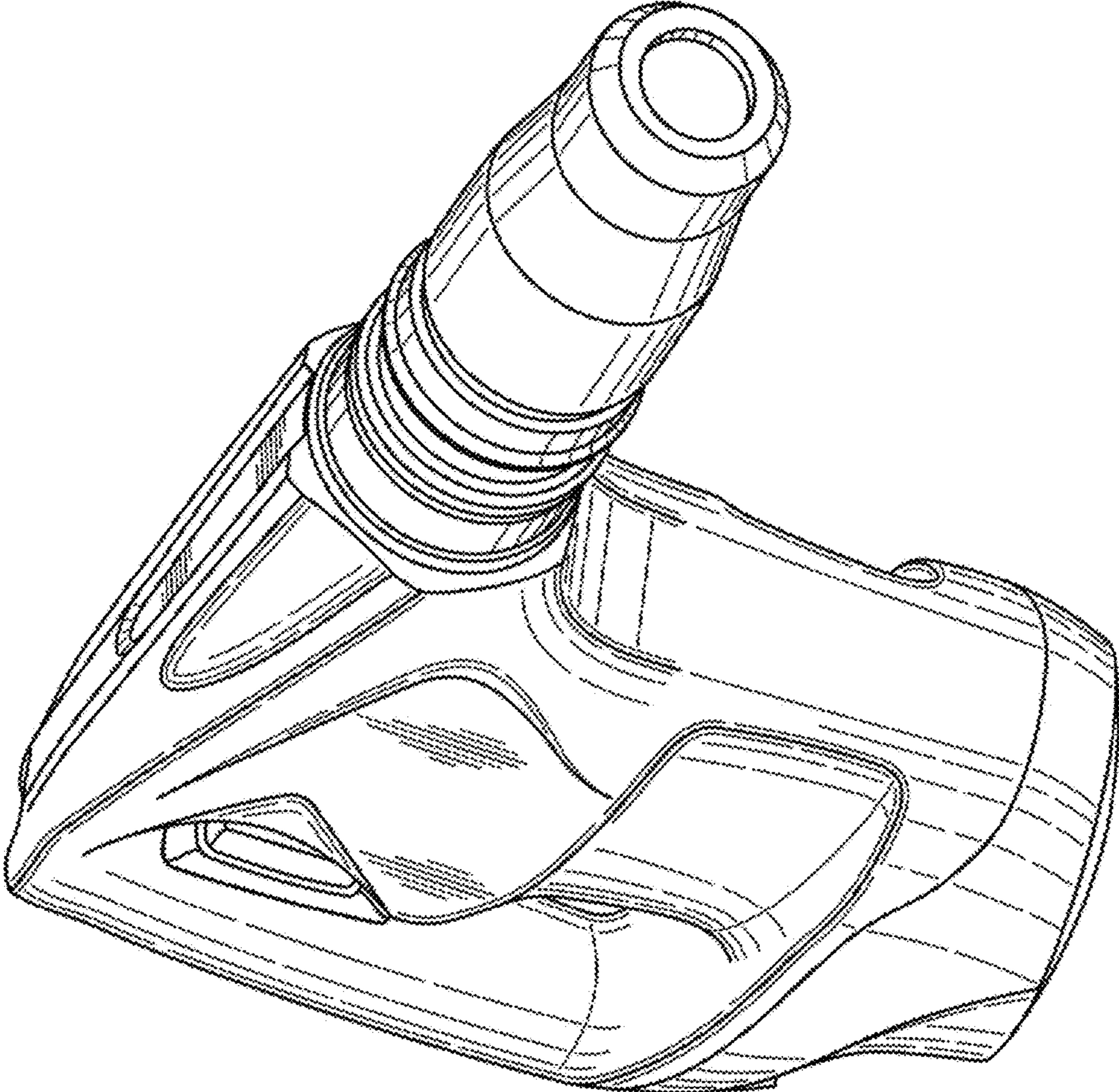


Fig. 2

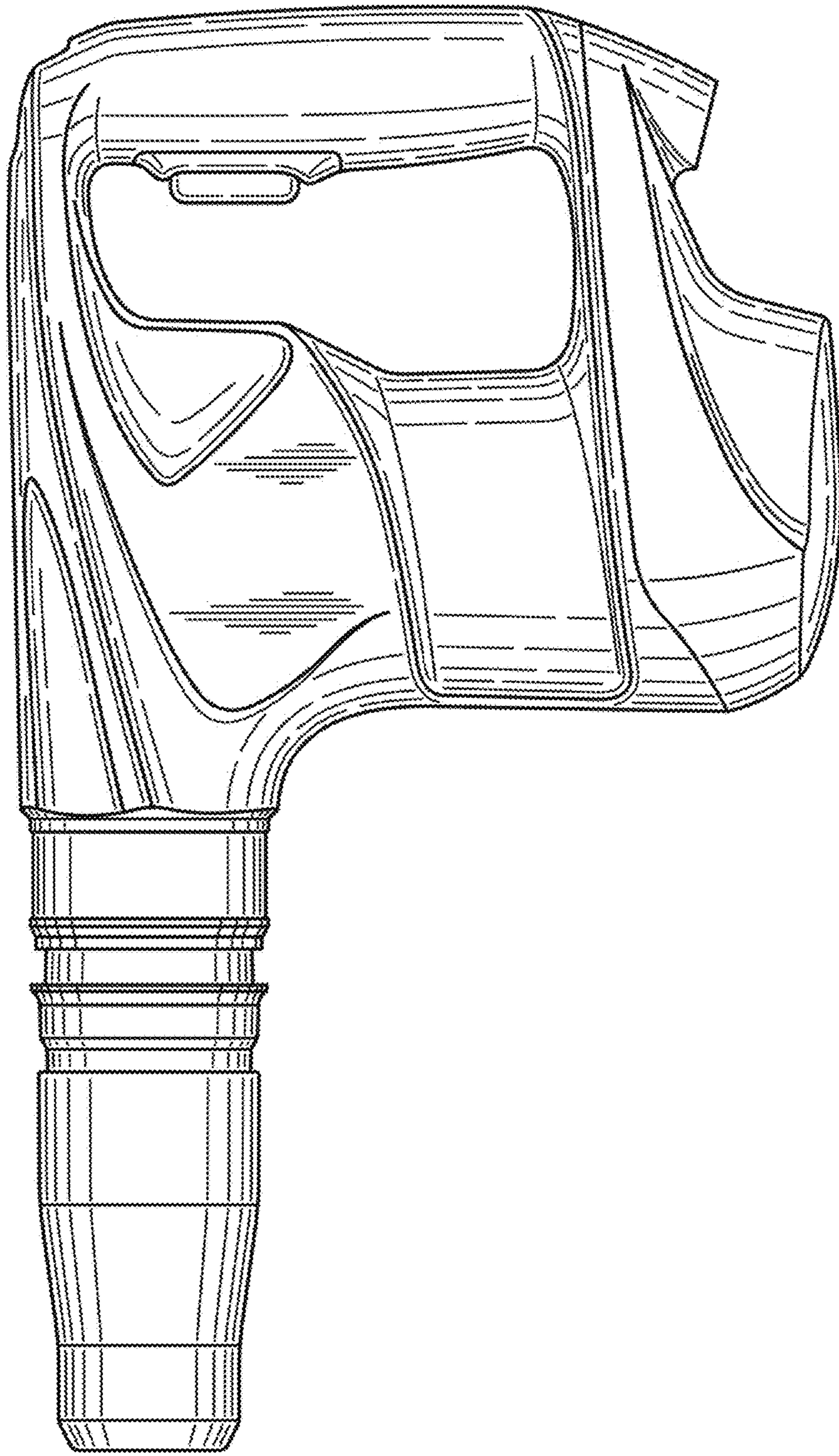


Fig. 3

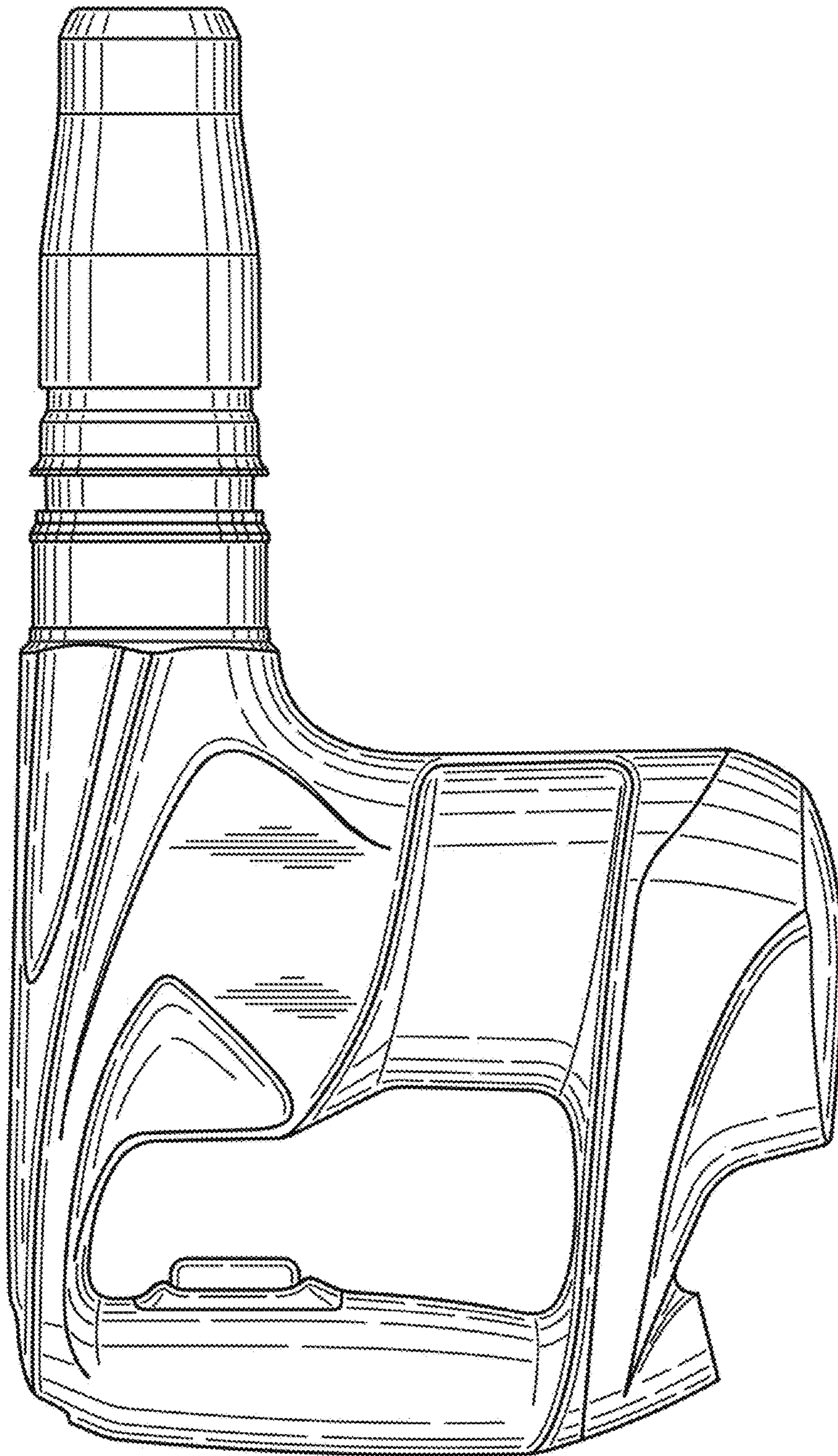


Fig. 4

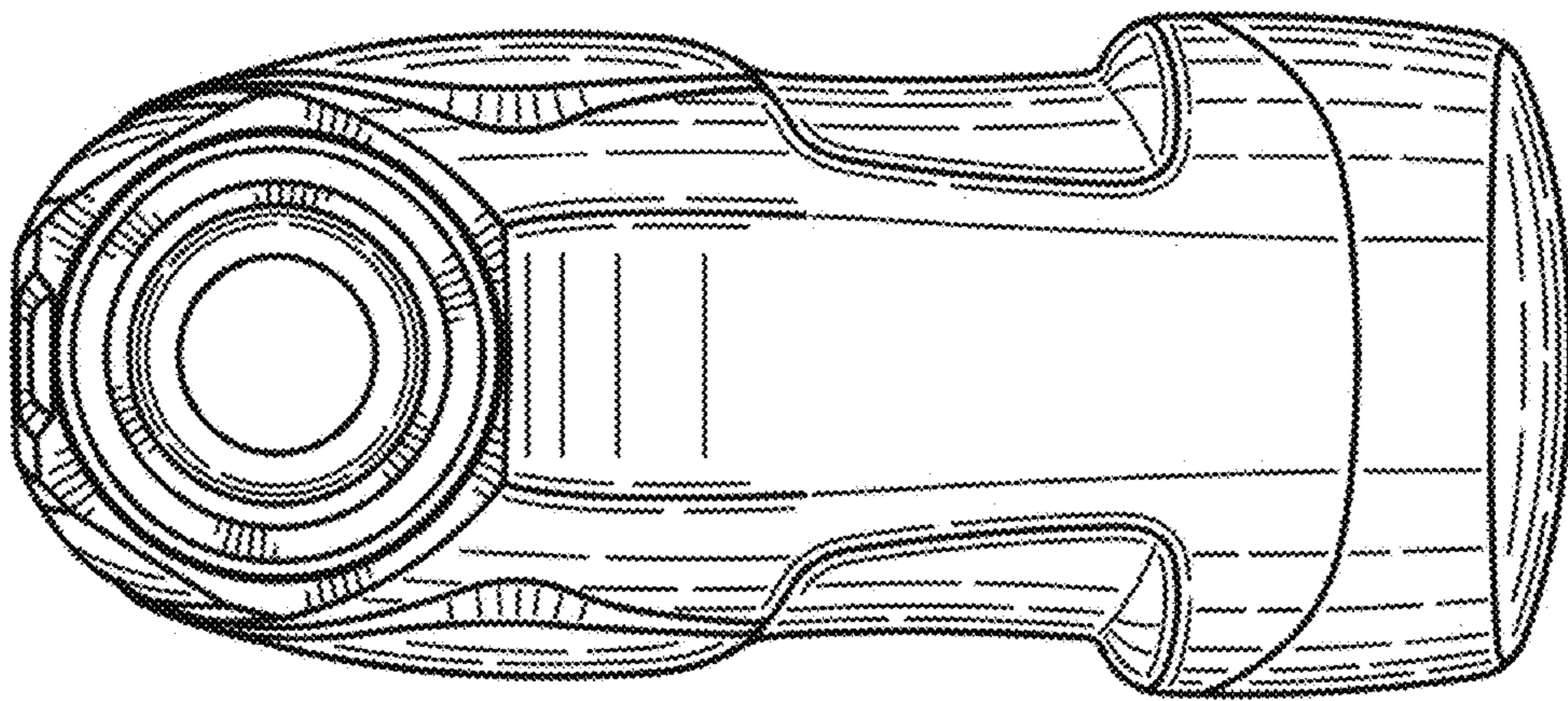


Fig. 5

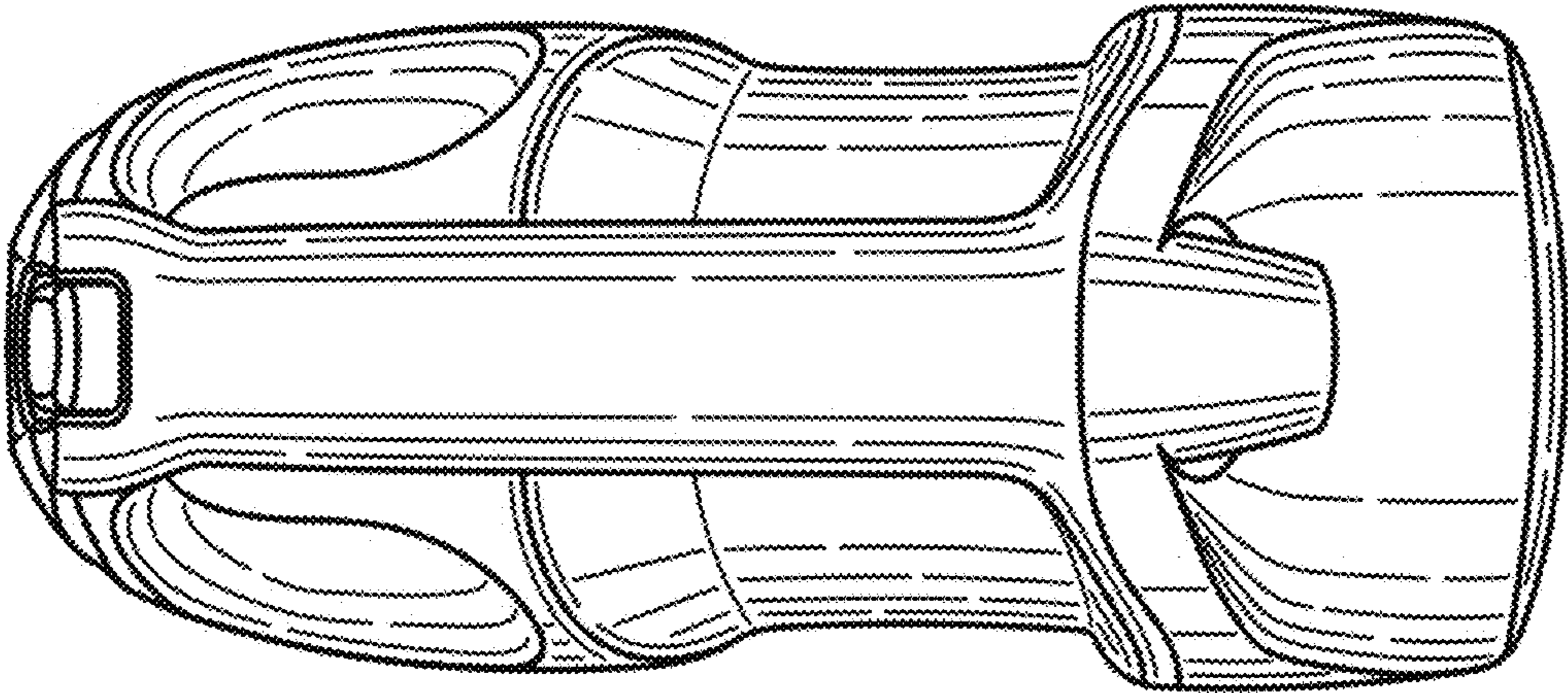


Fig. 6

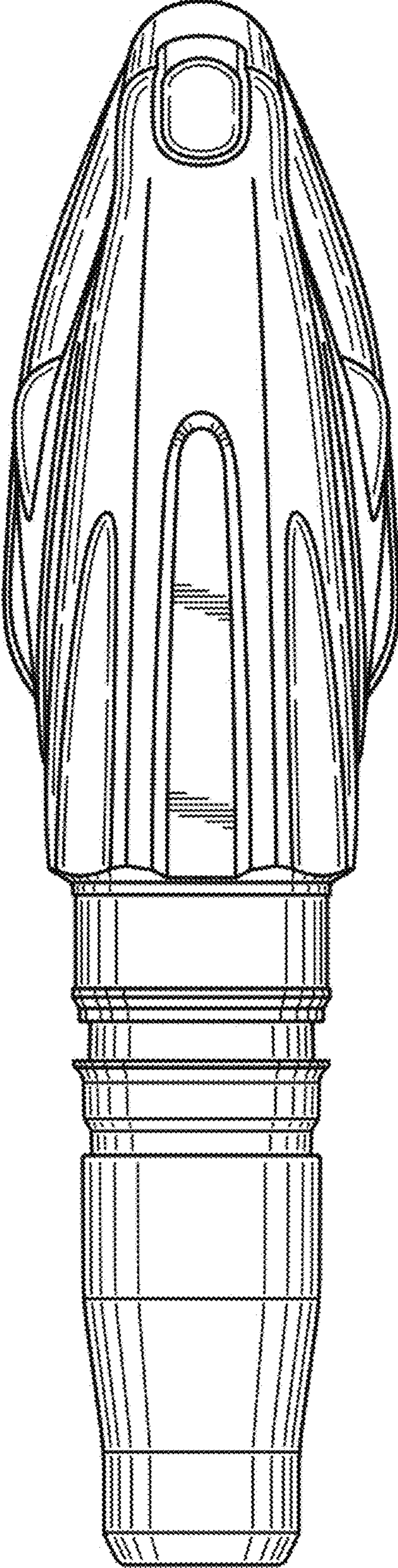


Fig. 7

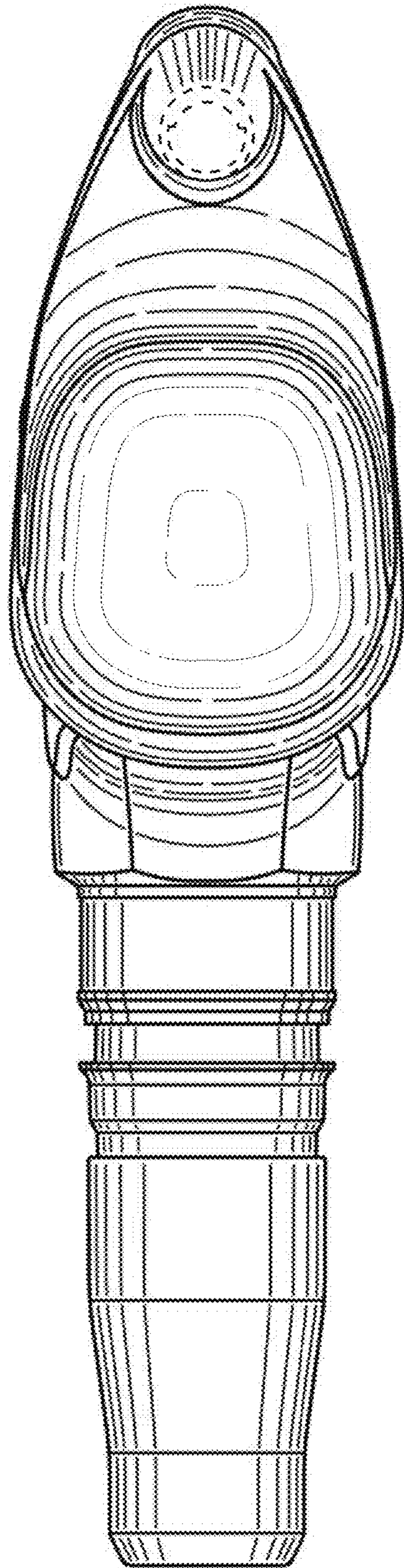


Fig. 8