



US00D830806S

(12) **United States Design Patent**
Gu et al.

(10) **Patent No.:** **US D830,806 S**
(45) **Date of Patent:** **** Oct. 16, 2018**

- (54) **DRAIN AUGER**
- (71) Applicant: **BLACK & DECKER INC.**, New Britain, CT (US)
- (72) Inventors: **Cheng Gang Gu**, Jiangsu (CN);
Lauren W. Austin, Owings Mills, MD (US)
- (73) Assignee: **Black & Decker Inc.**, New Britain, CT (US)
- (**) Term: **15 Years**
- (21) Appl. No.: **29/594,077**
- (22) Filed: **Feb. 15, 2017**
- (51) **LOC (11) Cl.** **08-05**
- (52) **U.S. Cl.**
USPC **D8/68**
- (58) **Field of Classification Search**
USPC D8/1, 6, 7, 61, 67, 68; D32/1, 14, 25,
D32/30, 35
CPC B62D 23/005; B62D 29/00; B62D 29/043;
B62D 31/00; B62D 33/046; B62D 35/00;
B62D 35/001; B08B 9/045; B08B 9/047;
B65H 75/364; E03F 9/005
See application file for complete search history.

- 3,268,937 A 8/1966 Bollinger
 - 3,298,666 A 1/1967 Prange
 - 3,329,044 A 7/1967 Singer
 - 3,449,782 A 6/1969 Hunt
 - 3,451,090 A 6/1969 Lo Presti et al.
 - 3,556,570 A 1/1971 Cosenza
 - 3,609,788 A 10/1971 Mier
- (Continued)

FOREIGN PATENT DOCUMENTS

- DE 102008015532 B4 8/2014
 - EP 2277634 B1 6/2012
- (Continued)

OTHER PUBLICATIONS

Geisenhofer, Michael—European Search Report re: related EP application No. 17164861.1-1614—Oct. 30, 2017—10 pages—Munich.

(Continued)

Primary Examiner — Darlington Ly
(74) *Attorney, Agent, or Firm* — Scott B. Markow

(57) **CLAIM**

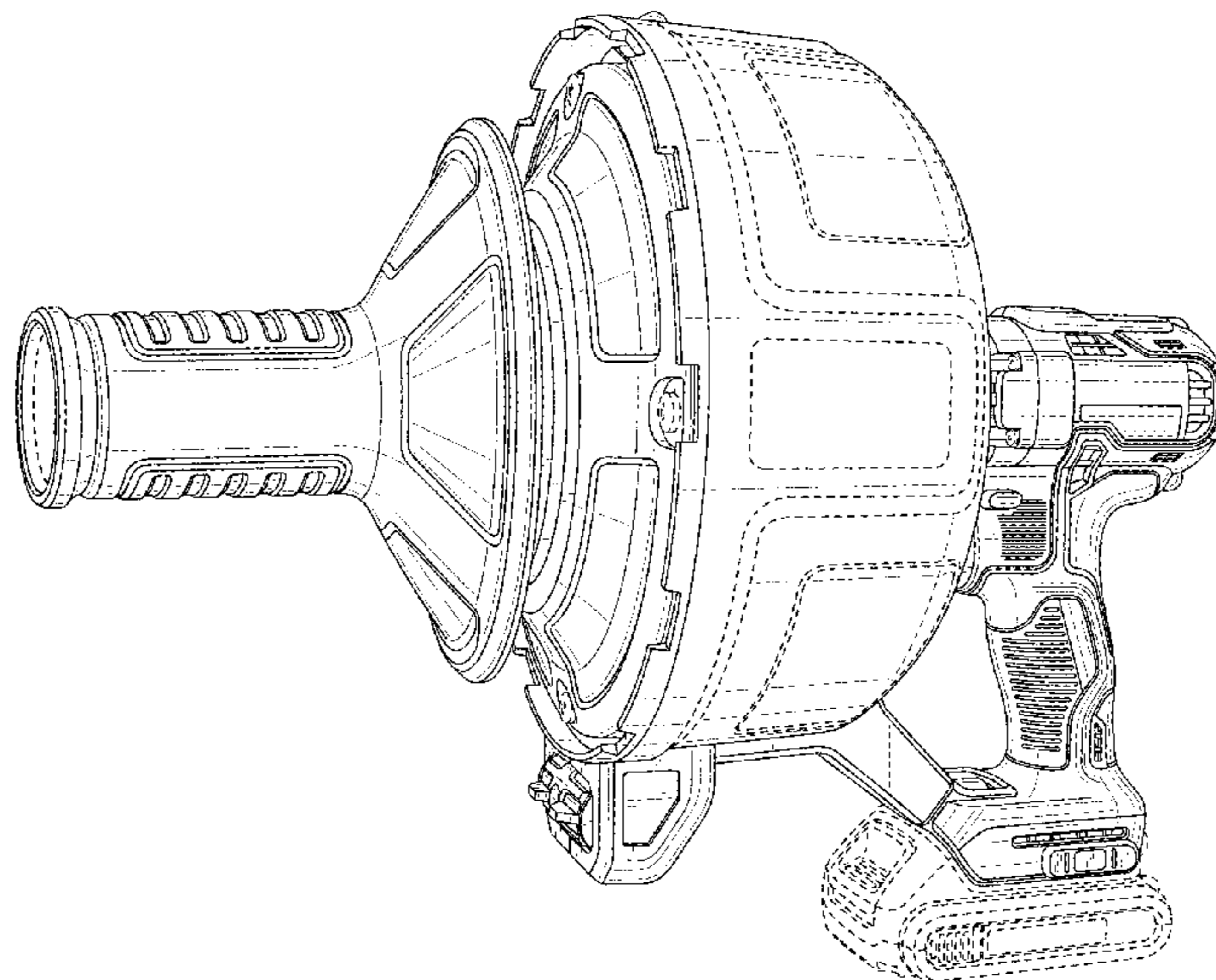
The ornamental design for a drain auger, as shown and described.

DESCRIPTION

FIG. 1 is a front and left side perspective view of a drain auger showing our new design; FIG. 2 is a front elevational view thereof; FIG. 3 is a rear elevational view thereof; FIG. 4 is a right side elevational view thereof; FIG. 5 is a left side elevational view thereof; FIG. 6 is a top plan view thereof; and, FIG. 7 is a bottom plan view thereof. The broken lines in the drawings illustrate portions of the drain auger that form no part of the claimed design.

1 Claim, 7 Drawing Sheets

- (56) **References Cited**
- U.S. PATENT DOCUMENTS
- 1,251,404 A 12/1917 Mills
- 1,663,570 A 3/1928 Sens
- 1,803,847 A 5/1931 Ellis
- 1,927,780 A 9/1933 Anderson
- 2,272,178 A 2/1942 McDowell et al.
- 2,318,172 A 5/1943 Long
- 2,600,707 A 6/1952 Turnbaugh
- 2,661,489 A 12/1953 Rudolph et al.
- 3,018,127 A 1/1962 Dobrosielski et al.
- 3,093,854 A 6/1963 Silverman
- 3,224,024 A 12/1965 Hunt



(56)

References Cited

U.S. PATENT DOCUMENTS

| | | | | |
|-----------|------|---------|------------------|-------------------------|
| 3,691,583 | A * | 9/1972 | Silverman | E03F 9/005 15/104.33 |
| 3,727,261 | A | 4/1973 | Levine | |
| 3,747,153 | A | 7/1973 | O'Neill | |
| 3,757,375 | A | 9/1973 | Strom | |
| 3,897,602 | A | 8/1975 | Waterbury | |
| RE30,175 | E | 12/1979 | Mier | |
| 4,218,802 | A * | 8/1980 | Babb | E03F 9/005 15/104.33 |
| 4,235,362 | A | 11/1980 | Hubenko | |
| 4,317,247 | A * | 3/1982 | Levine | E03F 9/005 15/104.33 |
| 4,361,924 | A | 12/1982 | Irwin | |
| 4,364,139 | A | 12/1982 | Babb et al. | |
| 4,395,791 | A | 8/1983 | Irwin | |
| 4,580,305 | A | 4/1986 | Irwin | |
| D284,125 | S | 6/1986 | Burke | |
| 4,686,732 | A | 8/1987 | Irwin | |
| 4,706,321 | A | 11/1987 | Kaye | |
| 4,760,991 | A | 8/1988 | Asai | |
| 4,763,374 | A | 8/1988 | Kaye | |
| 4,793,017 | A | 12/1988 | Kaye | |
| 4,914,775 | A | 4/1990 | Kirk | |
| 4,956,889 | A * | 9/1990 | Kirk | E03F 9/005 15/104.33 |
| 5,029,356 | A | 7/1991 | Silvermann | |
| 5,031,263 | A | 7/1991 | Babb et al. | |
| 5,031,276 | A | 7/1991 | Babb et al. | |
| 5,116,382 | A | 5/1992 | Steinkamp et al. | |
| 5,141,354 | A | 8/1992 | Morsbach | |
| 5,156,573 | A | 10/1992 | Bytze et al. | |
| 5,173,984 | A | 12/1992 | Kaye | |
| 5,193,824 | A | 3/1993 | Salpaka | |
| 5,226,207 | A | 7/1993 | Elzauridia | |
| 5,232,303 | A | 8/1993 | Rubner | |
| 5,239,724 | A | 8/1993 | Salecker et al. | |
| 5,297,310 | A | 3/1994 | Cox et al. | |
| 5,347,673 | A | 9/1994 | Nickels, Jr. | |
| 5,507,062 | A | 4/1996 | Salecker | |
| 5,622,729 | A | 4/1997 | Mower | |
| 5,640,736 | A | 6/1997 | Salecker | |
| 5,675,202 | A | 10/1997 | Zenmei et al. | |
| D387,254 | S | 12/1997 | Klamm | |
| D403,932 | S | 1/1999 | Klamm | |
| 5,901,401 | A | 5/1999 | Rutkowski et al. | |
| 6,009,588 | A | 1/2000 | Rutkowski | |
| 6,083,130 | A | 7/2000 | Mevisen et al. | |
| 6,158,076 | A | 12/2000 | Rutkowski et al. | |
| 6,243,905 | B1 | 6/2001 | Rutkowski | |
| 6,308,378 | B1 * | 10/2001 | Mooty | B23D 51/01 16/430 |
| 6,343,398 | B1 | 2/2002 | Silverman et al. | |
| 6,360,397 | B1 | 3/2002 | Babb | |
| 6,412,136 | B1 | 7/2002 | Rutkowski | |
| 6,470,525 | B1 * | 10/2002 | Silverman | B08B 9/045 15/104.33 |
| 6,478,463 | B2 | 11/2002 | Snider | |
| 6,615,436 | B1 * | 9/2003 | Burch, Jr. | B08B 9/045 15/104.05 |
| 6,637,064 | B2 | 10/2003 | Silverman et al. | |
| 6,655,228 | B1 | 12/2003 | Margherio et al. | |
| 6,729,470 | B2 | 5/2004 | Watlington | |
| 6,758,116 | B2 | 7/2004 | Kriaski et al. | |
| D509,929 | S * | 9/2005 | Rutkowski | D32/14 |
| 7,073,224 | B2 | 7/2006 | Schmitt | |
| D527,971 | S * | 9/2006 | Kokawa | D8/68 |
| 7,153,227 | B2 | 12/2006 | Dell et al. | |
| D539,110 | S * | 3/2007 | Okuda | D8/68 |

| | | | | |
|--------------|------|---------|---------------------|--------------------------|
| 7,207,910 | B2 | 4/2007 | Dell et al. | |
| 7,269,874 | B2 | 9/2007 | Hung | |
| 7,367,077 | B2 | 5/2008 | Rutkowski et al. | |
| D582,108 | S * | 12/2008 | Duff | D32/14 |
| D587,544 | S * | 3/2009 | Lopano | D8/68 |
| D589,317 | S * | 3/2009 | Okuda | D8/68 |
| D593,831 | S * | 6/2009 | Van Wambeke | D8/68 |
| D608,173 | S * | 1/2010 | Ng | D8/68 |
| D609,072 | S * | 2/2010 | Van Wambeke | D8/68 |
| D610,422 | S * | 2/2010 | Houghton | D8/68 |
| D611,319 | S * | 3/2010 | Van Wambeke | D8/68 |
| 7,676,879 | B1 | 3/2010 | Rutenberg et al. | |
| 7,685,669 | B2 | 3/2010 | Rutkowski et al. | |
| 7,845,377 | B2 | 12/2010 | Edwards, Jr. et al. | |
| 7,889,980 | B2 | 2/2011 | Sooy | |
| D642,037 | S * | 7/2011 | Miller | D8/68 |
| D642,038 | S * | 7/2011 | Murray | D8/68 |
| 8,046,862 | B2 | 11/2011 | Eisermann et al. | |
| D650,954 | S * | 12/2011 | Patterson | D32/14 |
| D673,436 | S * | 1/2013 | Murray | D8/68 |
| 8,388,760 | B2 | 3/2013 | Aniban, Jr. | |
| D682,640 | S * | 5/2013 | Motosko | D8/7 |
| 8,434,186 | B2 * | 5/2013 | Wildauer | E03F 9/005 15/104.33 |
| 8,615,837 | B2 | 12/2013 | Hale et al. | |
| 8,677,868 | B2 | 3/2014 | Hoffman et al. | |
| 8,826,483 | B2 * | 9/2014 | Rutkowski | B08B 9/0436 15/104.33 |
| 8,931,131 | B1 | 1/2015 | Feduke | |
| 9,009,906 | B2 | 4/2015 | Hale et al. | |
| 9,126,241 | B2 | 9/2015 | Majeed | |
| 9,209,664 | B2 | 12/2015 | Sugitani | |
| 9,234,342 | B1 * | 1/2016 | Beesley | E03F 9/005 |
| D750,460 | S * | 3/2016 | Miller | D8/68 |
| 9,410,607 | B2 | 8/2016 | Yamamoto | |
| D777,544 | S * | 1/2017 | Cooper | D8/68 |
| 9,884,353 | B2 * | 2/2018 | Banholzer | B08B 9/047 |
| 2004/0086353 | A1 | 5/2004 | Diaconu | |
| 2005/0279517 | A1 | 12/2005 | Hoffman et al. | |
| 2007/0089254 | A1 | 4/2007 | Alaine | |
| 2008/0148503 | A1 * | 6/2008 | Babb | B08B 9/045 15/104.33 |
| 2008/0244816 | A1 | 10/2008 | Babb et al. | |
| 2009/0302554 | A1 * | 12/2009 | Thiel | B23B 31/10 279/62 |
| 2012/0210596 | A1 | 8/2012 | Lebel | |
| 2013/0019422 | A1 | 1/2013 | Miller et al. | |
| 2014/0260831 | A1 | 9/2014 | Hayes et al. | |
| 2015/0343583 | A1 | 12/2015 | McRoberts et al. | |
| 2017/0284078 | A1 * | 10/2017 | Puzio | B08B 9/045 |

FOREIGN PATENT DOCUMENTS

| | | | |
|----|---------------|----|---------|
| EP | 2371462 | B1 | 5/2014 |
| FR | 2968173 | A3 | 6/2012 |
| GB | 2192224 | A | 1/1988 |
| JP | 56138558 | A | 10/1981 |
| JP | 60241564 | A | 11/1985 |
| WO | WO-2006113847 | A1 | 10/2006 |

OTHER PUBLICATIONS

K-45 Sink Machine—Ridgid Professional Tools—www.rigid.com/us/en/k45af-sink-machine—Apr. 17, 2015—15 pages.
Ridgid K-45 Drain Cleaning Machine—www.youtube.com/watch?v=Pjk0ktbh5qU—Apr. 17, 2015—2 pages.
K-39/K39-B Drain Cleaner Operator's Manual—Ridgid/Kollmann—12 pages.

* cited by examiner

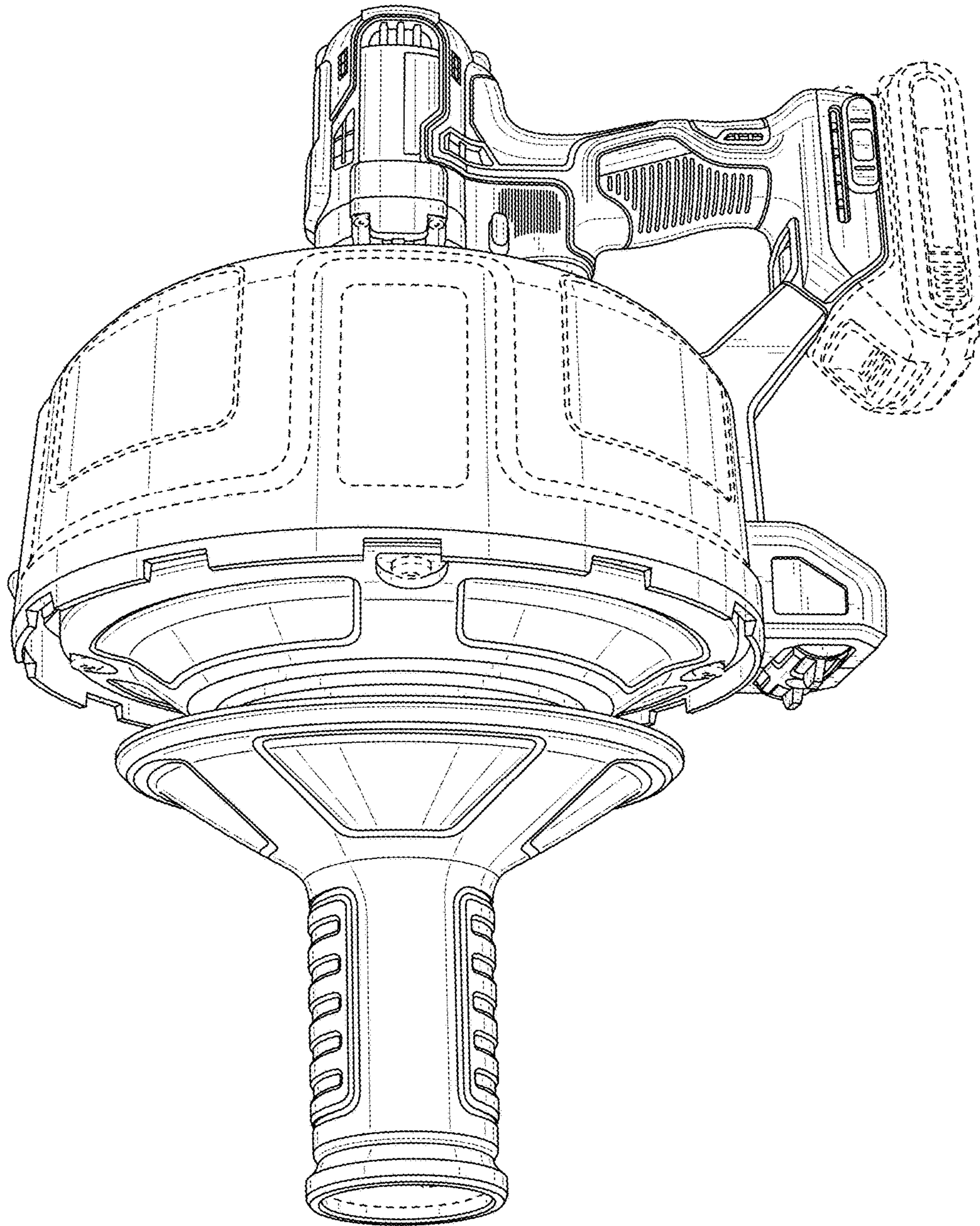


FIG. 1

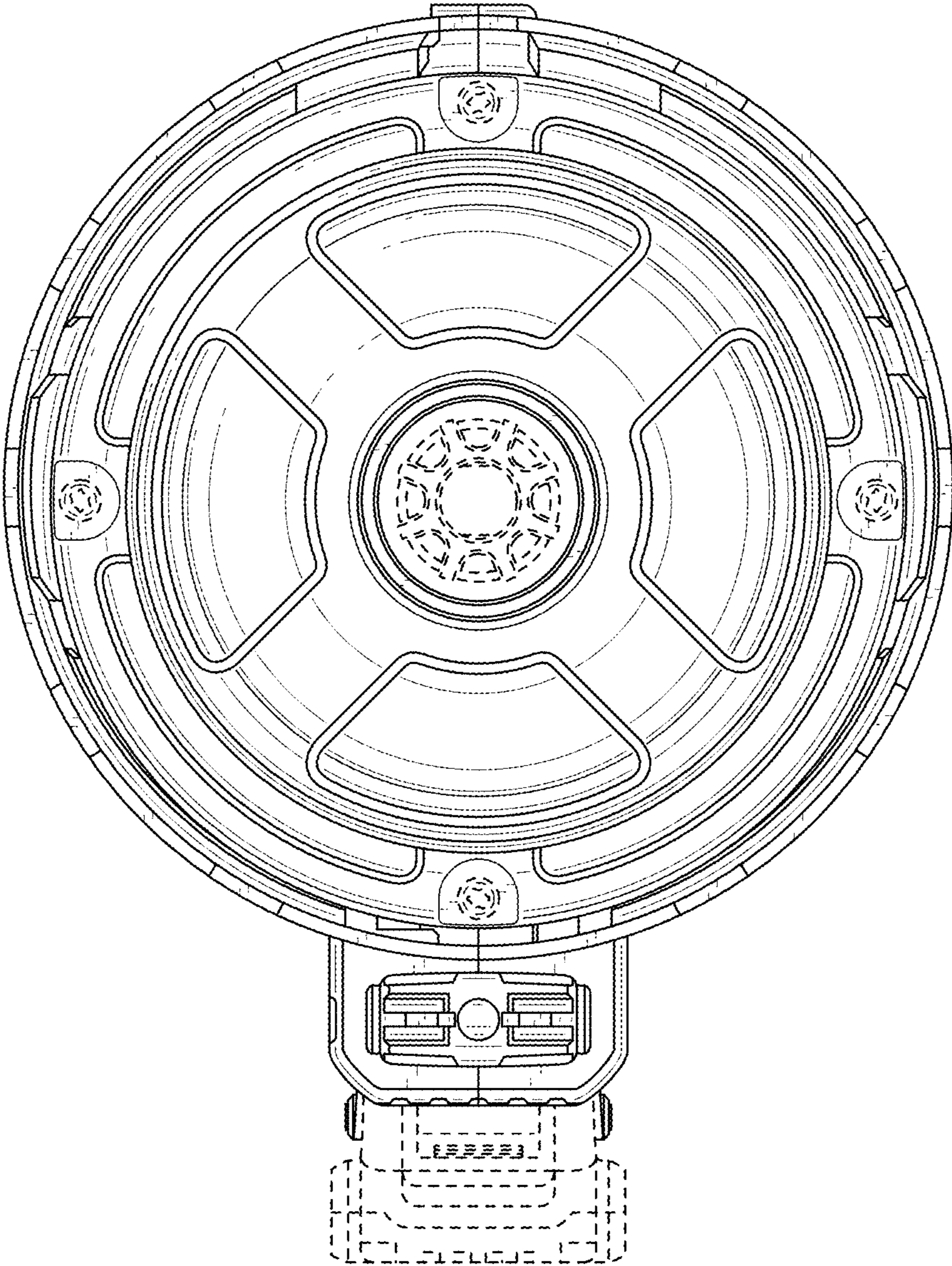


FIG. 2

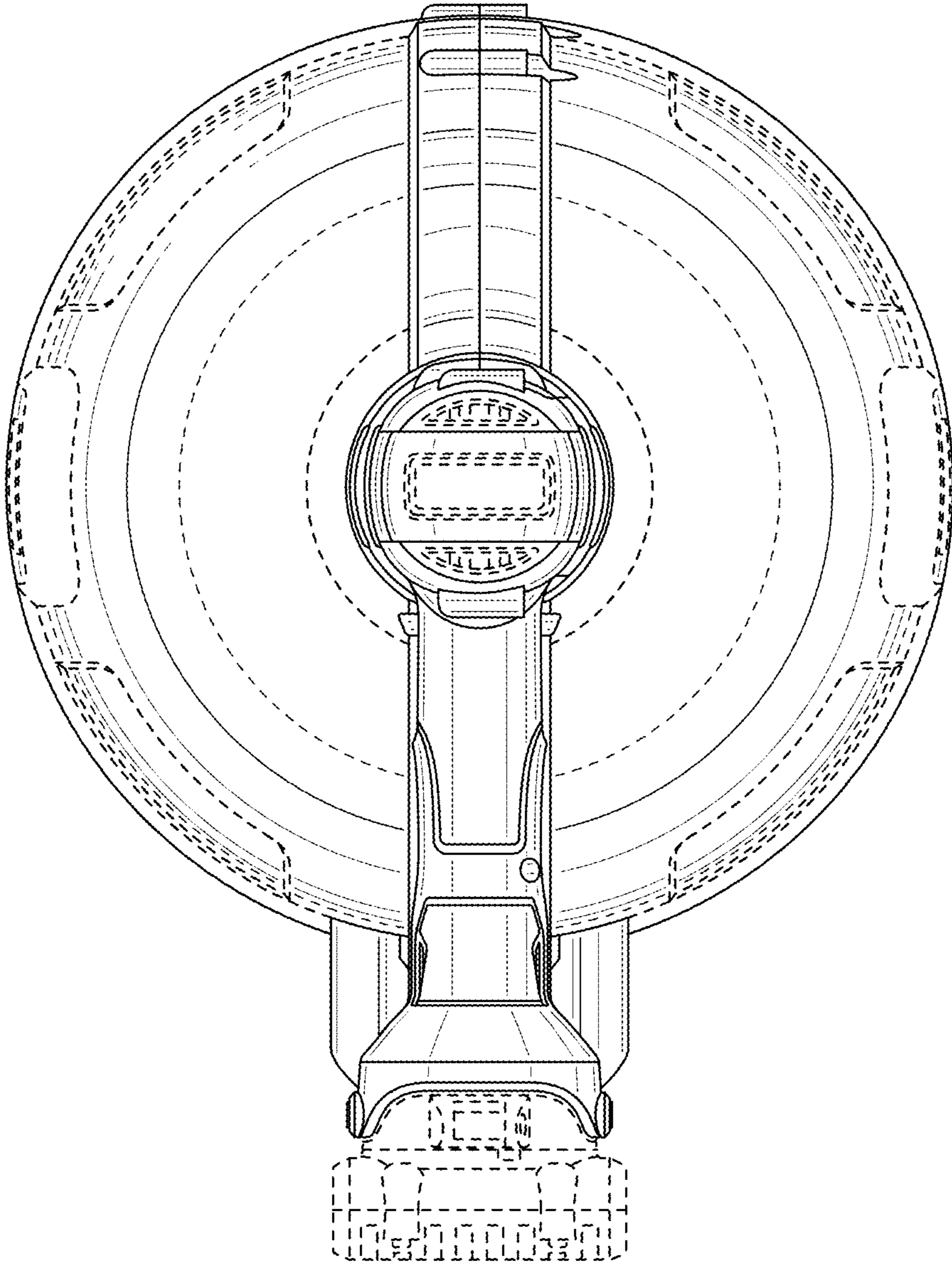


FIG. 3

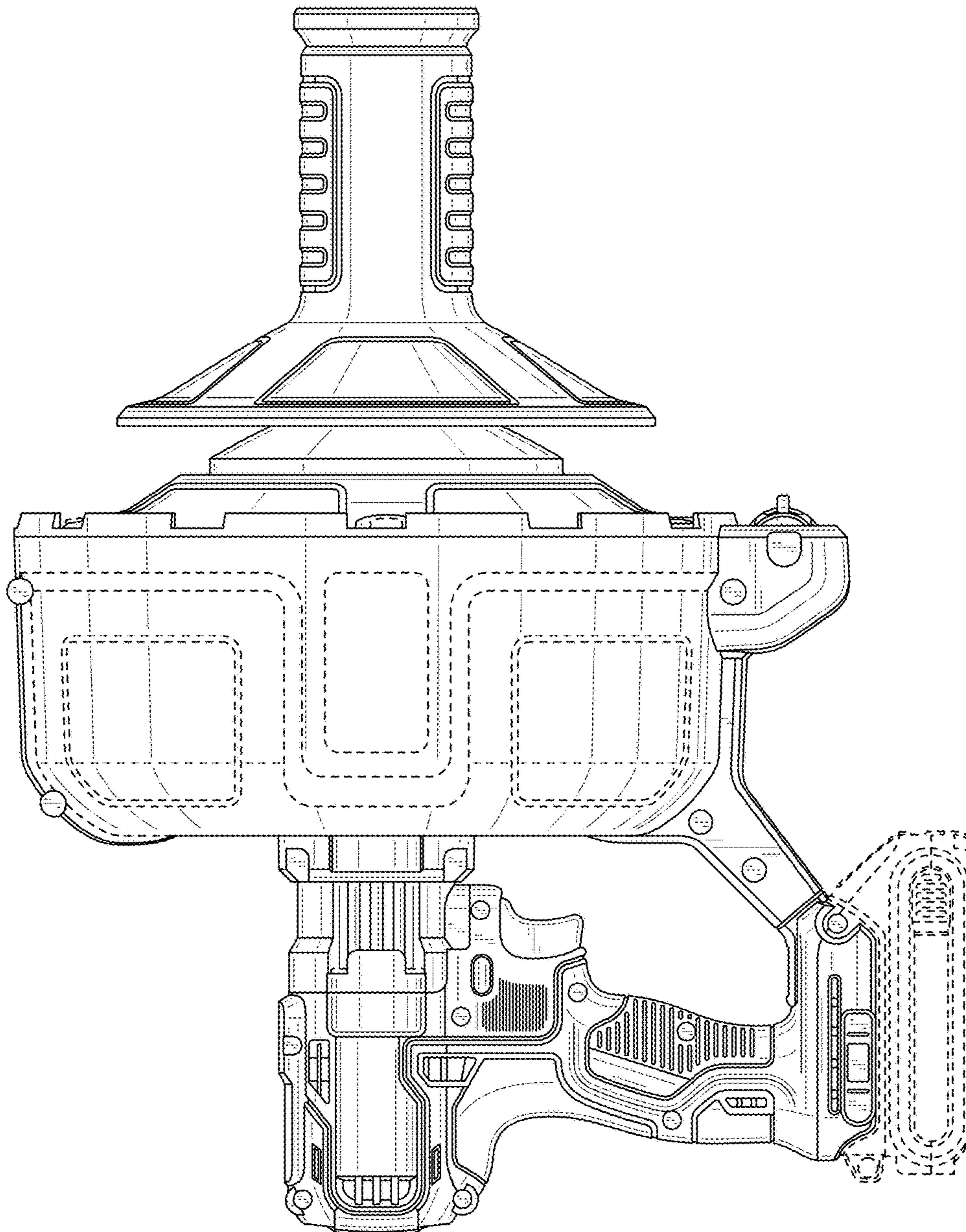


FIG. 4

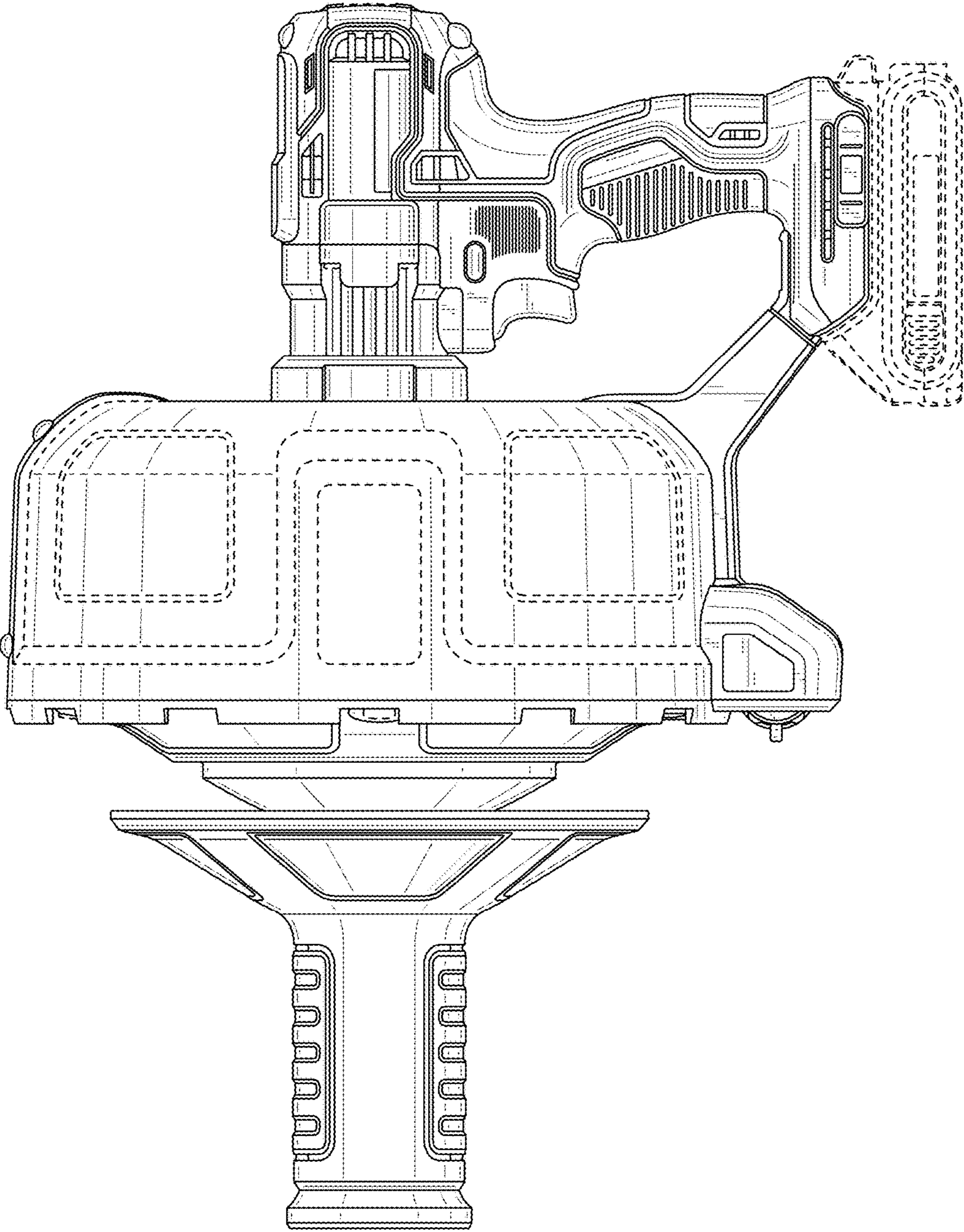


FIG. 5

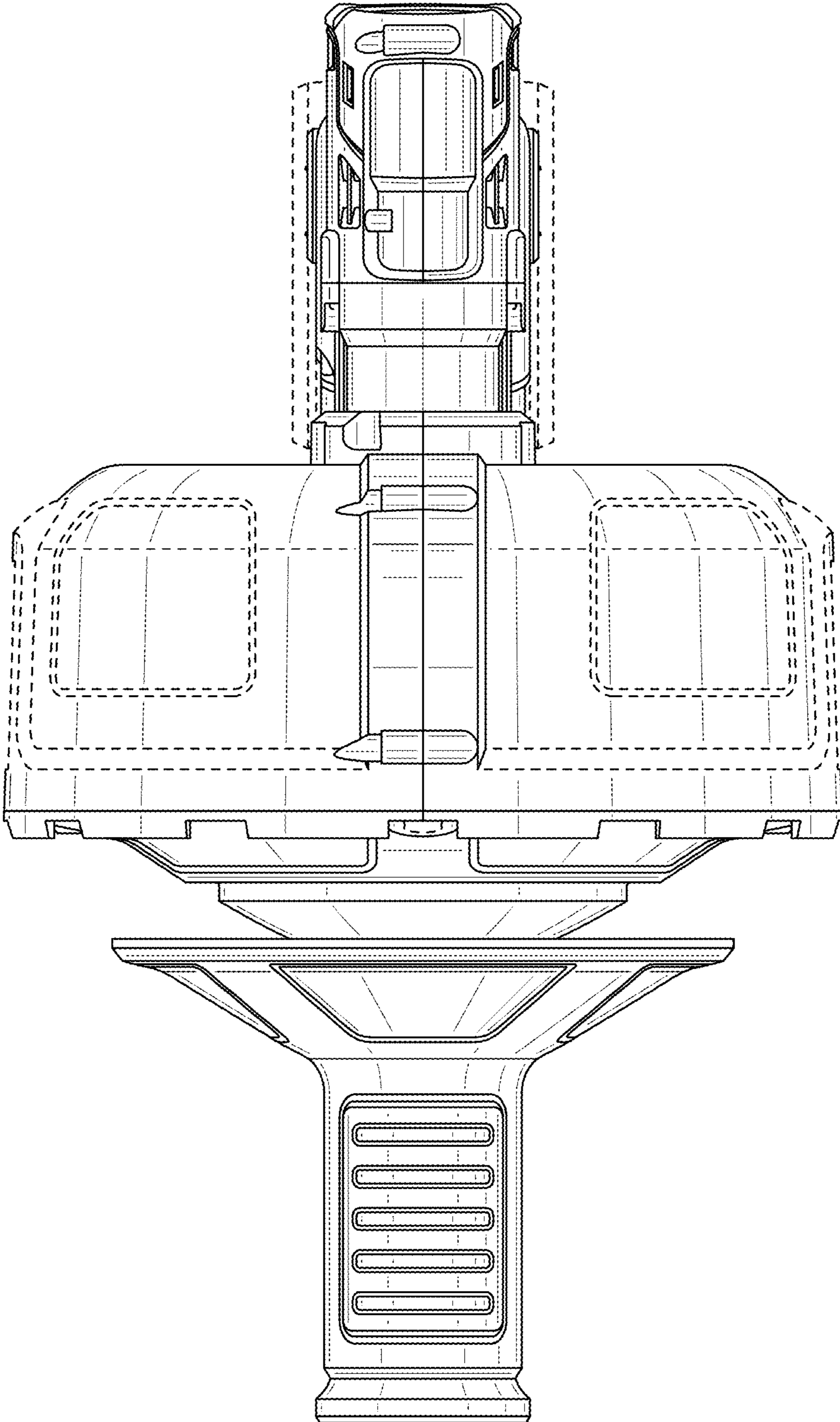


FIG. 6

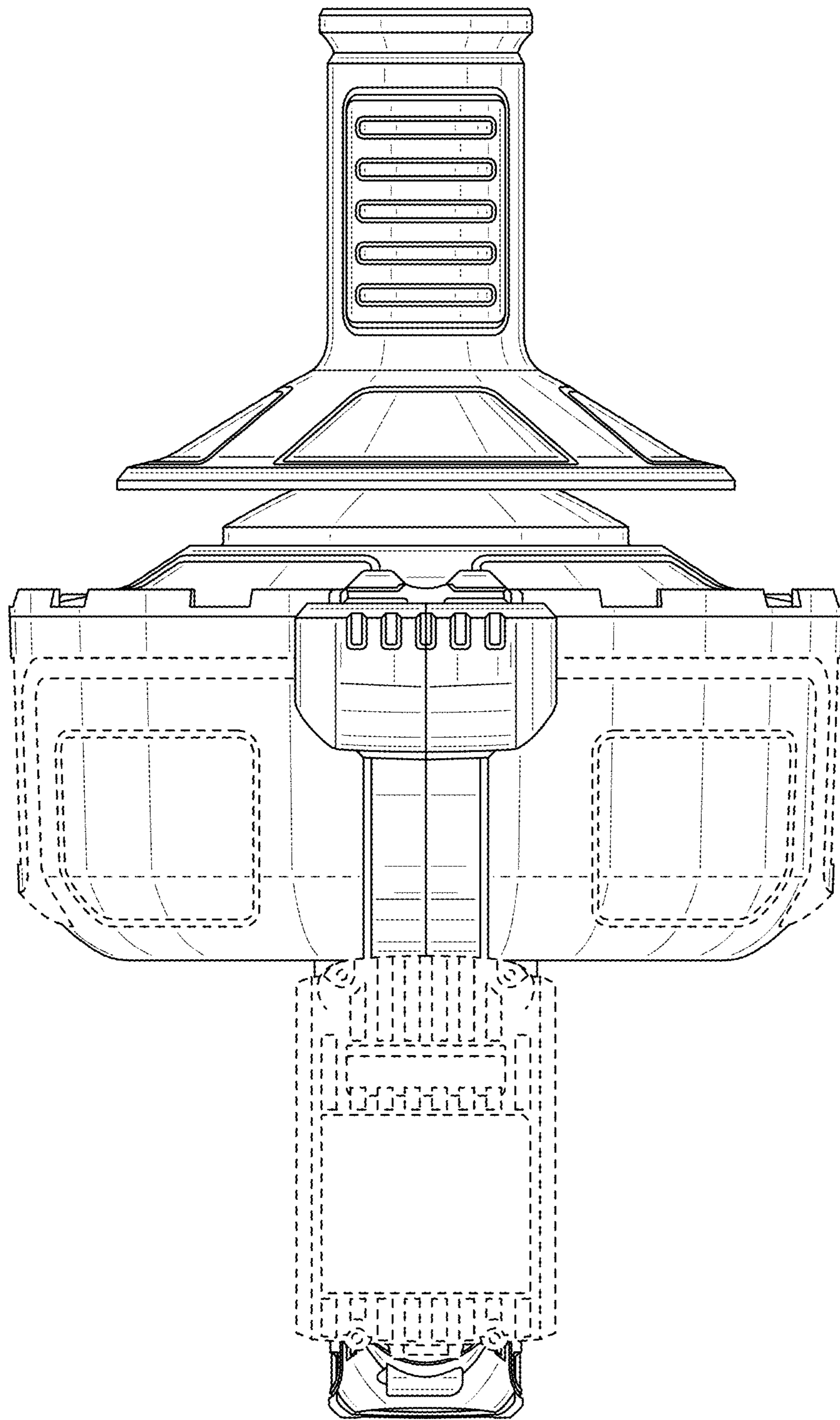


FIG. 7