



US00D830805S

(12) **United States Design Patent**  
**Sell et al.**

(10) **Patent No.:** **US D830,805 S**  
(45) **Date of Patent:** **\*\* Oct. 16, 2018**

- (54) **HAMMER DRILL NON-QUICK CHANGE CHUCK**
- (71) Applicant: **Black & Decker Inc.**, New Britain, CT (US)
- (72) Inventors: **Stefan Sell**, Mainz (DE); **Pablo Garcia**, Wiesbaden (DE)
- (73) Assignee: **Black & Decker Inc.**, New Britain, CT (US)
- (\*\*) Term: **15 Years**
- (21) Appl. No.: **29/629,639**
- (22) Filed: **Dec. 14, 2017**

D508,388 S *	8/2005	Aglassinger	.....	D8/69
D511,286 S *	11/2005	Aglassinger	.....	D8/68
D515,383 S *	2/2006	Aglassinger	.....	D8/69
D521,337 S *	5/2006	Cheung	.....	D8/68
D534,407 S *	1/2007	Waldron	.....	D8/69
D594,304 S *	6/2009	Aglassinger	.....	D8/67
D615,838 S *	5/2010	Aglassinger	.....	D8/69
D618,529 S *	6/2010	Stirm	.....	D8/69
D631,720 S *	2/2011	Aglassinger	.....	D8/67
D631,721 S *	2/2011	Aglassinger	.....	D8/67

(Continued)

*Primary Examiner* — Austin Murphy  
(74) *Attorney, Agent, or Firm* — Amir Rohani

(57) **CLAIM**

The ornamental design for a hammer drill non-quick change chuck, as shown and described.

- (30) **Foreign Application Priority Data**
- Jun. 14, 2017 (EP) ..... 004047561-0001
- (51) **LOC (11) Cl.** ..... **08-04**
- (52) **U.S. Cl.**  
USPC ..... **D8/67**
- (58) **Field of Classification Search**  
USPC ..... D8/14.1, 61–70; 81/429, 454–456, 469, 81/489; 173/104, 114, 168–171, 178, 173/201, 211, 213, 217; 408/20, 124, 408/125, 234; 388/809  
CPC ..... B25D 16/00; B25D 17/00; B25F 5/02  
See application file for complete search history.

**DESCRIPTION**

FIG. 1 is a perspective view of a hammer drill having a non-quick change chuck;  
FIG. 2 is a view from one side thereof;  
FIG. 3 is a view from the other side thereof;  
FIG. 4 is a front view thereof;  
FIG. 5 is a rear view thereof;  
FIG. 6 is a top view thereof; and,  
FIG. 7 is a bottom view thereof.

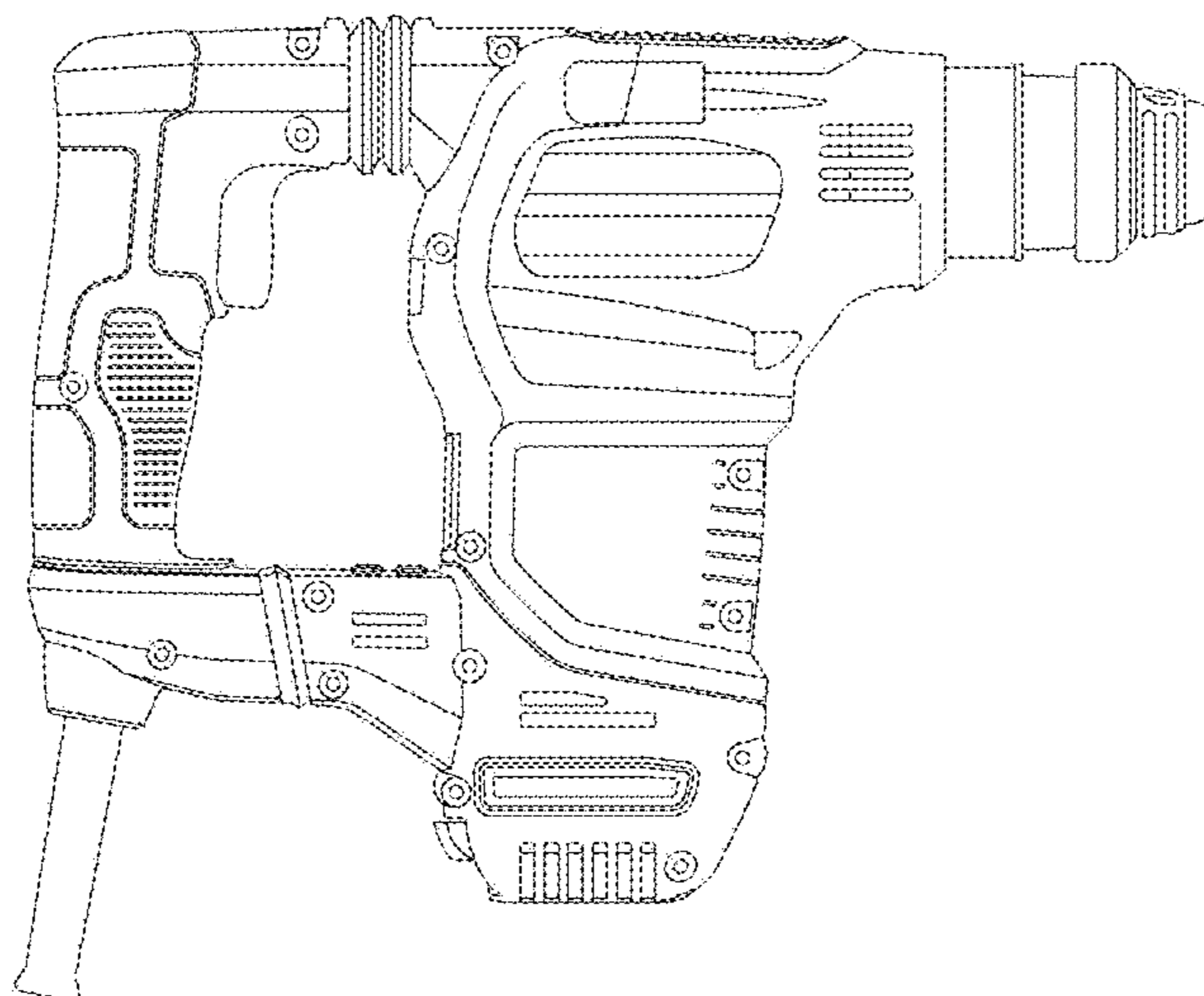
The inventive aspects of the current embodiments exist in the hammer drill having the non-quick change chuck as a whole, in individual portions and/or elements thereof—particularly the non-quick change chuck individually—and in combinations of portions and elements of the hammer drill and/or the non-quick change chuck.

Some of the photographic drawings may include trademarks and other indicia thereon. Applicant's invention also includes the design without the trademarks and other indicia thereon. Applicant's invention further includes a continuous surface and/or pattern in lieu of the trademarks and/or other indicia.

(56) **References Cited**  
U.S. PATENT DOCUMENTS

D447,032 S *	8/2001	Schoen	.....	D8/67
D488,978 S *	4/2004	Cheung	.....	D8/68
D491,438 S *	6/2004	Cheung	.....	D8/68
D502,374 S *	3/2005	Aglassinger	.....	D8/68
D502,377 S *	3/2005	Aglassinger	.....	D8/69
D503,079 S *	3/2005	Aglassinger	.....	D8/69
D507,950 S *	8/2005	Aglassinger	.....	D8/68

**1 Claim, 7 Drawing Sheets**



(56)

**References Cited**

U.S. PATENT DOCUMENTS

D765,485 S \* 9/2016 Holst ..... D8/68  
D815,933 S \* 4/2018 Koeniger ..... D8/69

\* cited by examiner

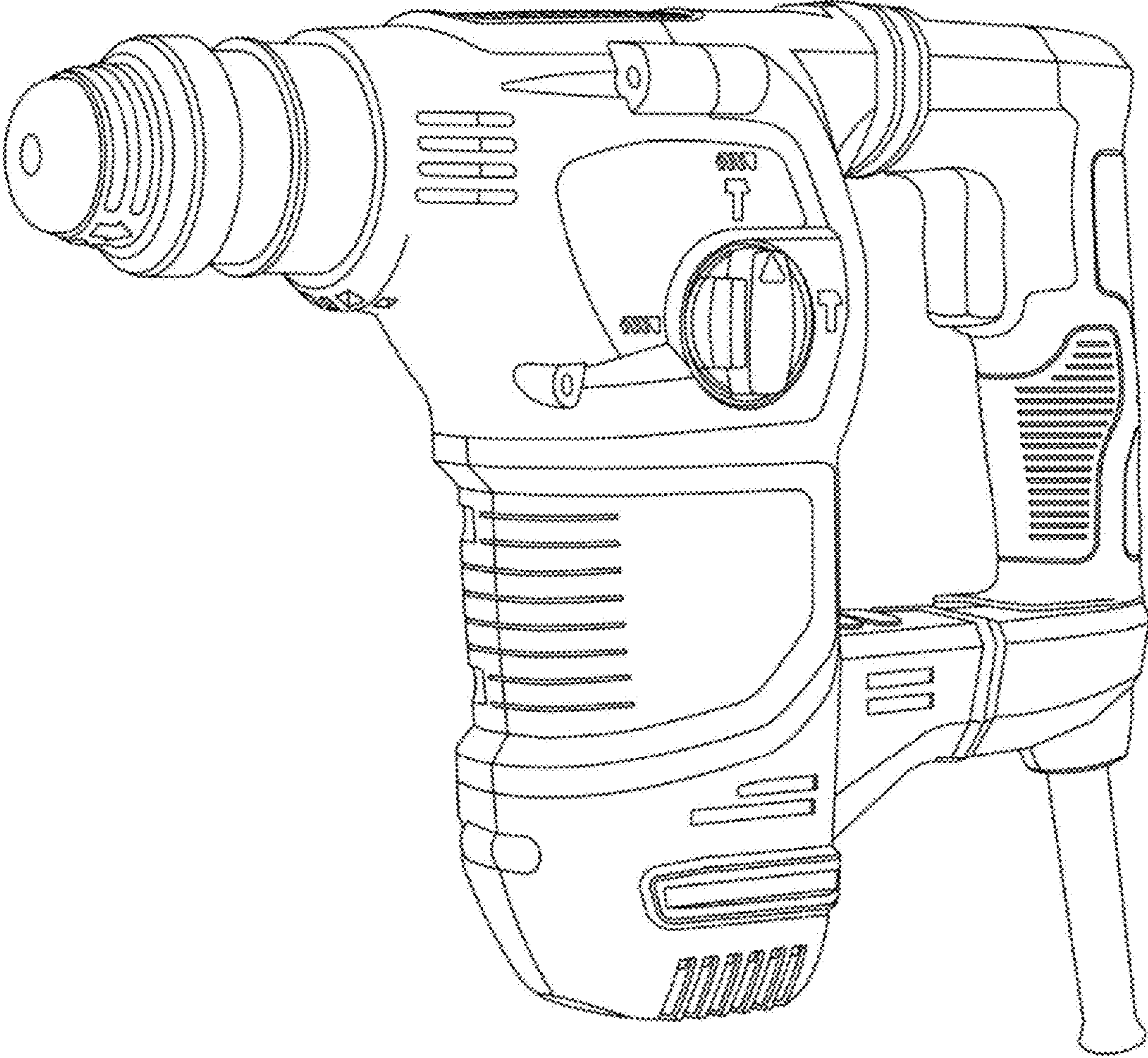


FIG. 1

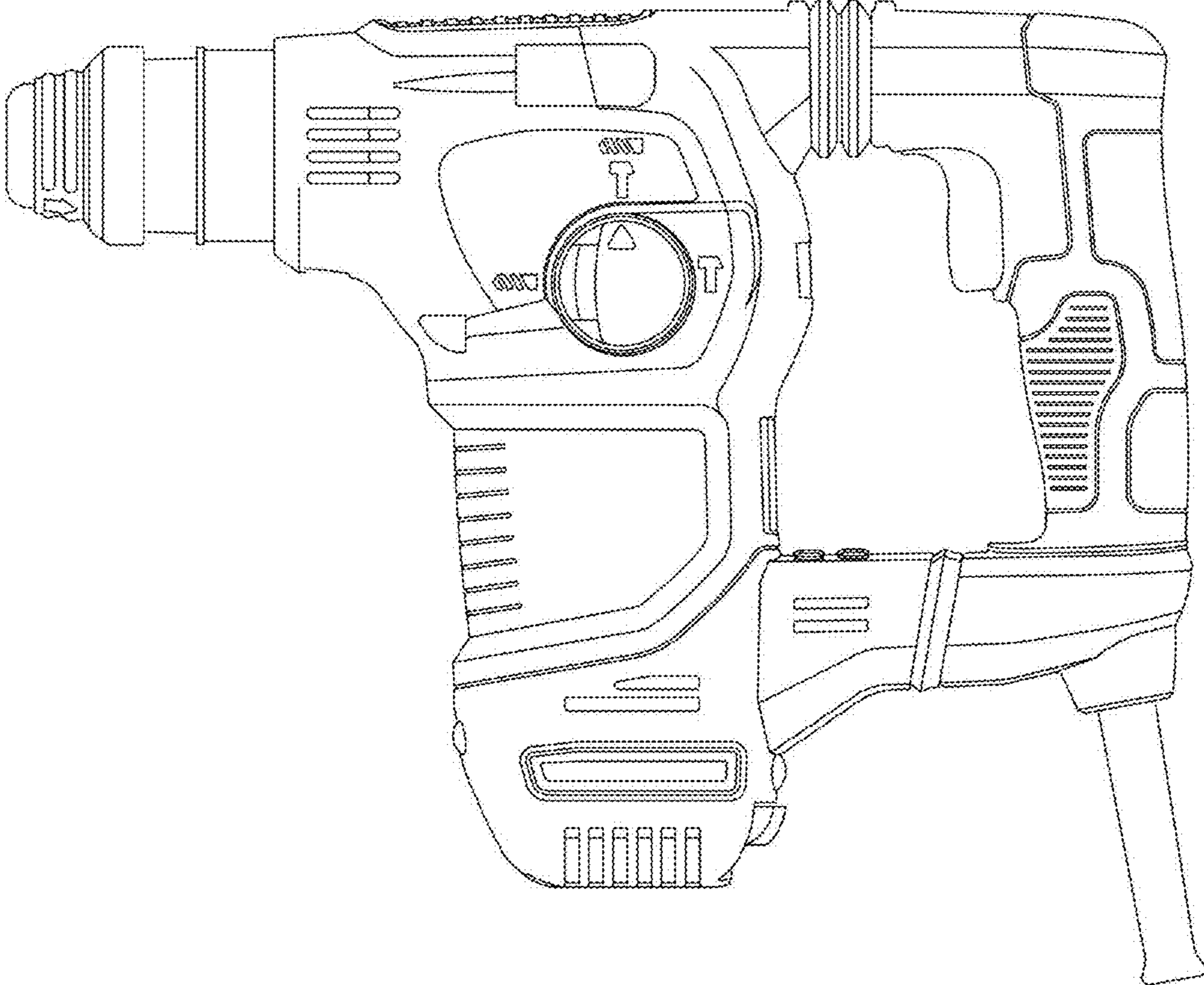


FIG. 2

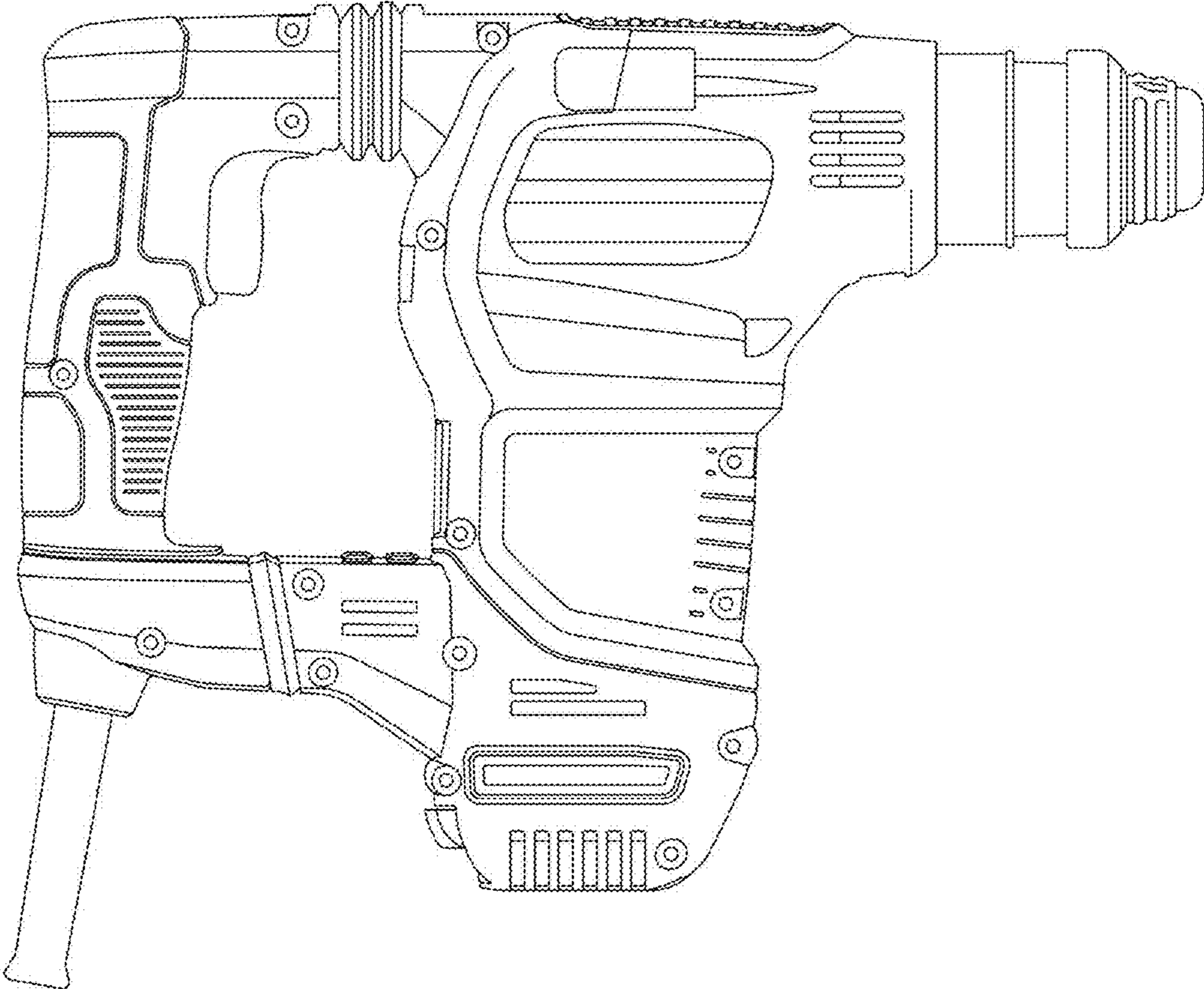
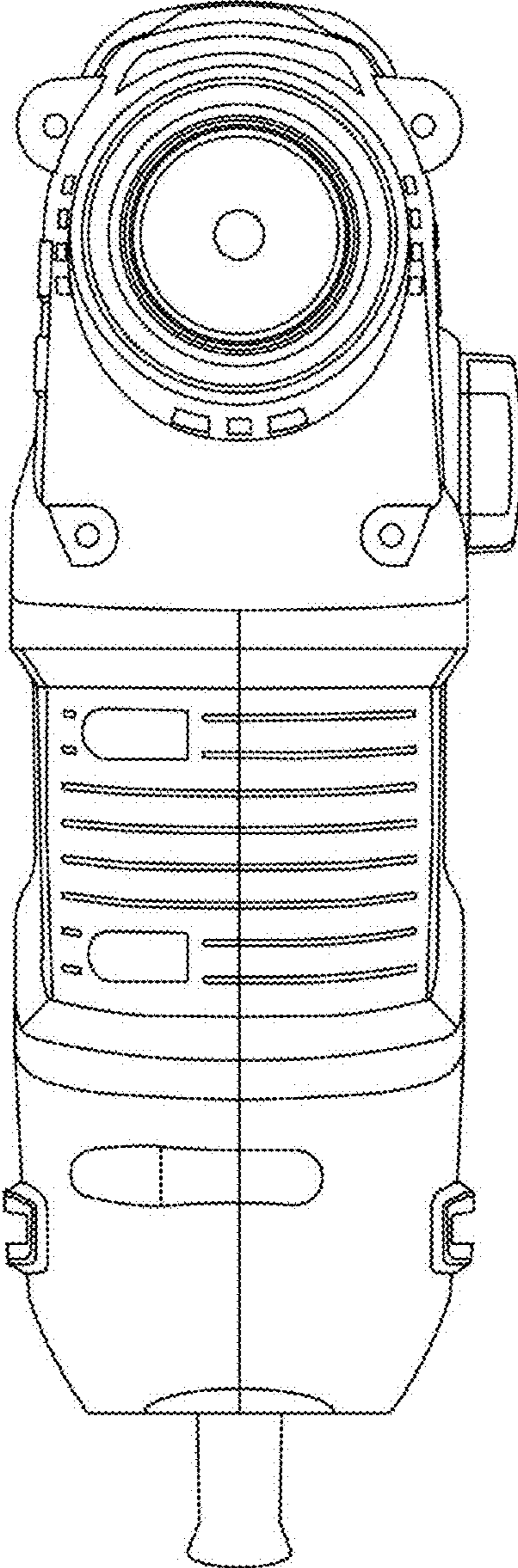


FIG. 3



**FIG. 4**

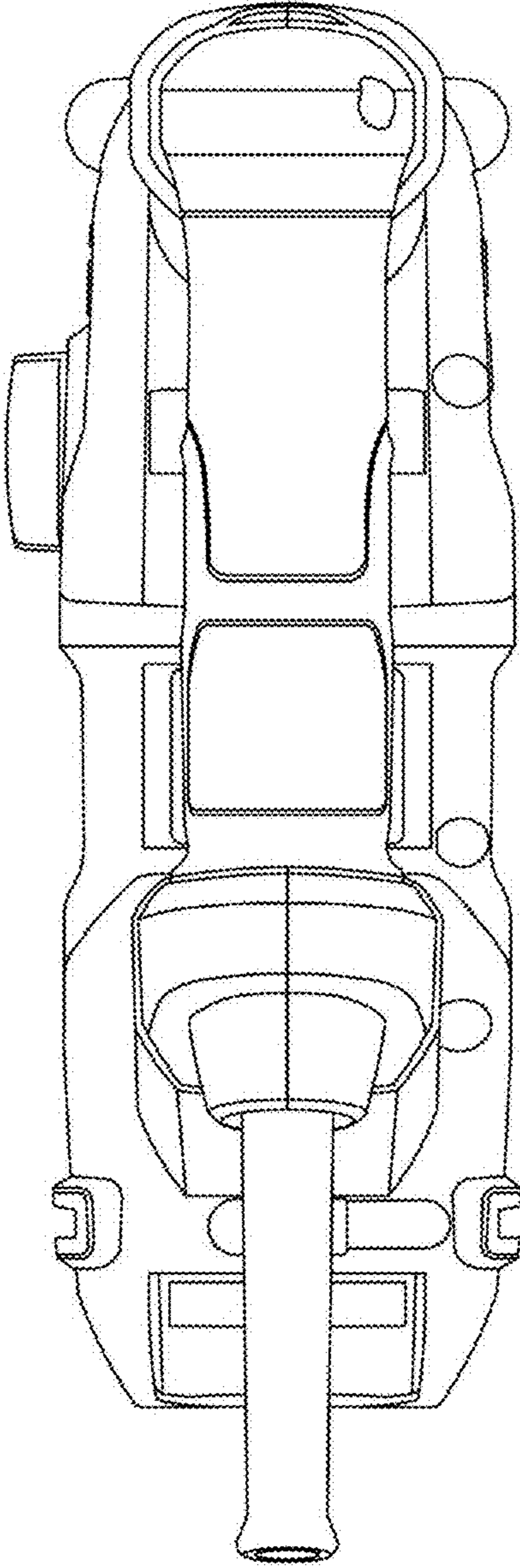


FIG. 5

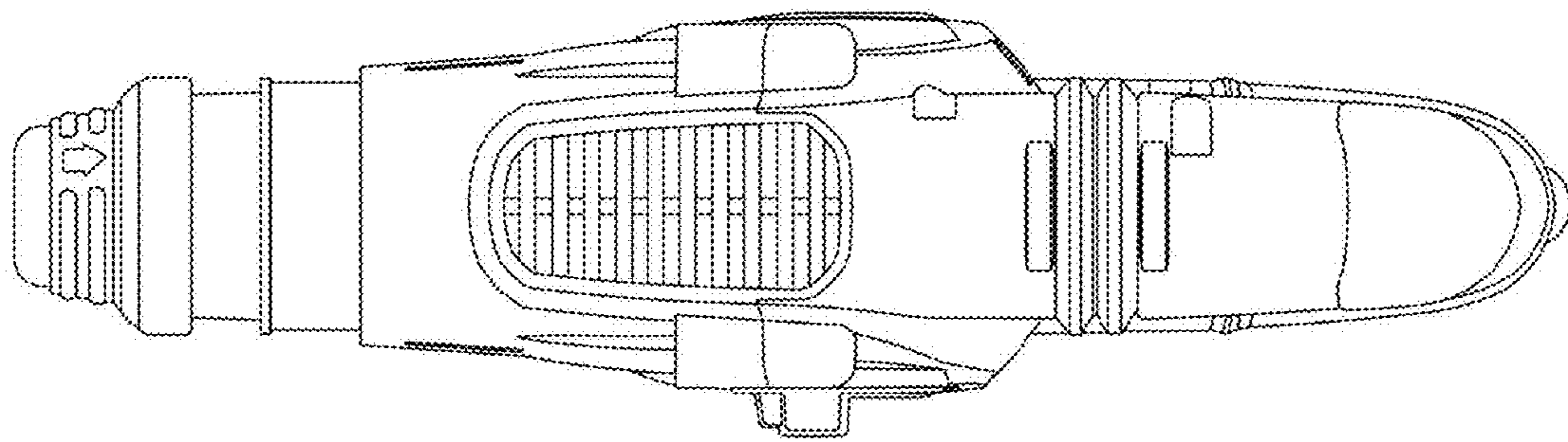


FIG. 6



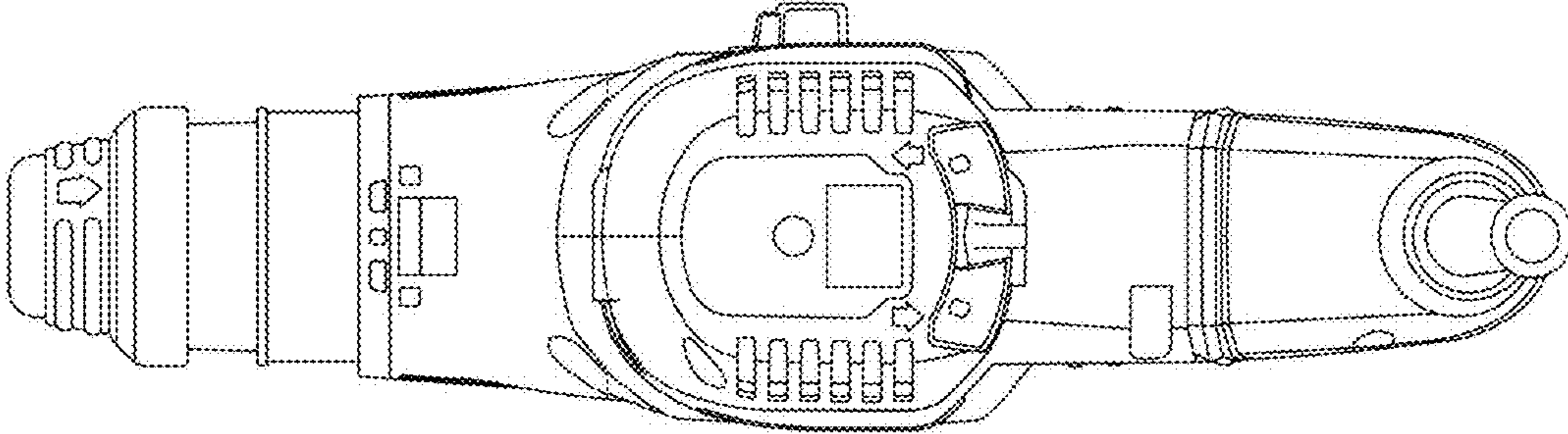


FIG. 7