



US00D830803S

(12) **United States Design Patent**
Sell et al.

(10) **Patent No.:** **US D830,803 S**
(45) **Date of Patent:** **** Oct. 16, 2018**

(54) **HAMMER DRILL QUICK CHANGE CHUCK WITH HANDLE**

(71) Applicant: **Black & Decker Inc.**, New Britain, CT (US)

(72) Inventors: **Stefan Sell**, Mainz (DE); **Pablo Garcia**, Wiesbaden (DE)

(73) Assignee: **Black & Decker Inc.**, New Britain, CT (US)

(**) Term: **15 Years**

(21) Appl. No.: **29/629,631**

(22) Filed: **Dec. 14, 2017**

(30) **Foreign Application Priority Data**

Jun. 14, 2017 (EP) 004047587-0001

(51) **LOC (11) Cl.** **08-04**

(52) **U.S. Cl.**
USPC **D8/67**

(58) **Field of Classification Search**

USPC D8/14.1, 61-70; 81/429, 454-456, 469, 81/489; 173/104, 114, 168-171, 178, 173/201, 211, 213, 217; 408/20, 124, 408/125, 234; 388/809

CPC B25D 16/00; B25D 17/00; B25F 5/02
See application file for complete search history.

(56) **References Cited**

U.S. PATENT DOCUMENTS

D447,032 S *	8/2001	Schoen	D8/67
D488,978 S *	4/2004	Cheung	D8/68
D491,438 S *	6/2004	Cheung	D8/68
D502,374 S *	3/2005	Aglassinger	D8/68
D502,377 S *	3/2005	Aglassinger	D8/69
D503,079 S *	3/2005	Aglassinger	D8/69
D507,950 S *	8/2005	Aglassinger	D8/68

D508,388 S *	8/2005	Aglassinger	D8/69
D511,286 S *	11/2005	Aglassinger	D8/68
D515,383 S *	2/2006	Aglassinger	D8/69
D521,337 S *	5/2006	Cheung	D8/68
D534,407 S *	1/2007	Waldron	D8/69
D594,304 S *	6/2009	Aglassinger	D8/67
D615,838 S *	5/2010	Aglassinger	D8/69
D618,529 S *	6/2010	Stirm	D8/69
D631,720 S *	2/2011	Aglassinger	D8/67

(Continued)

Primary Examiner — Austin Murphy

(74) *Attorney, Agent, or Firm* — Amir Rohani

(57) **CLAIM**

The ornamental design for a hammer drill quick change chuck with handle, as shown and described.

DESCRIPTION

FIG. 1 is a perspective view of a hammer drill having a quick change chuck and a handle;

FIG. 2 is a view from one side thereof;

FIG. 3 is a view from the other side thereof;

FIG. 4 is a front view thereof;

FIG. 5 is a rear view thereof;

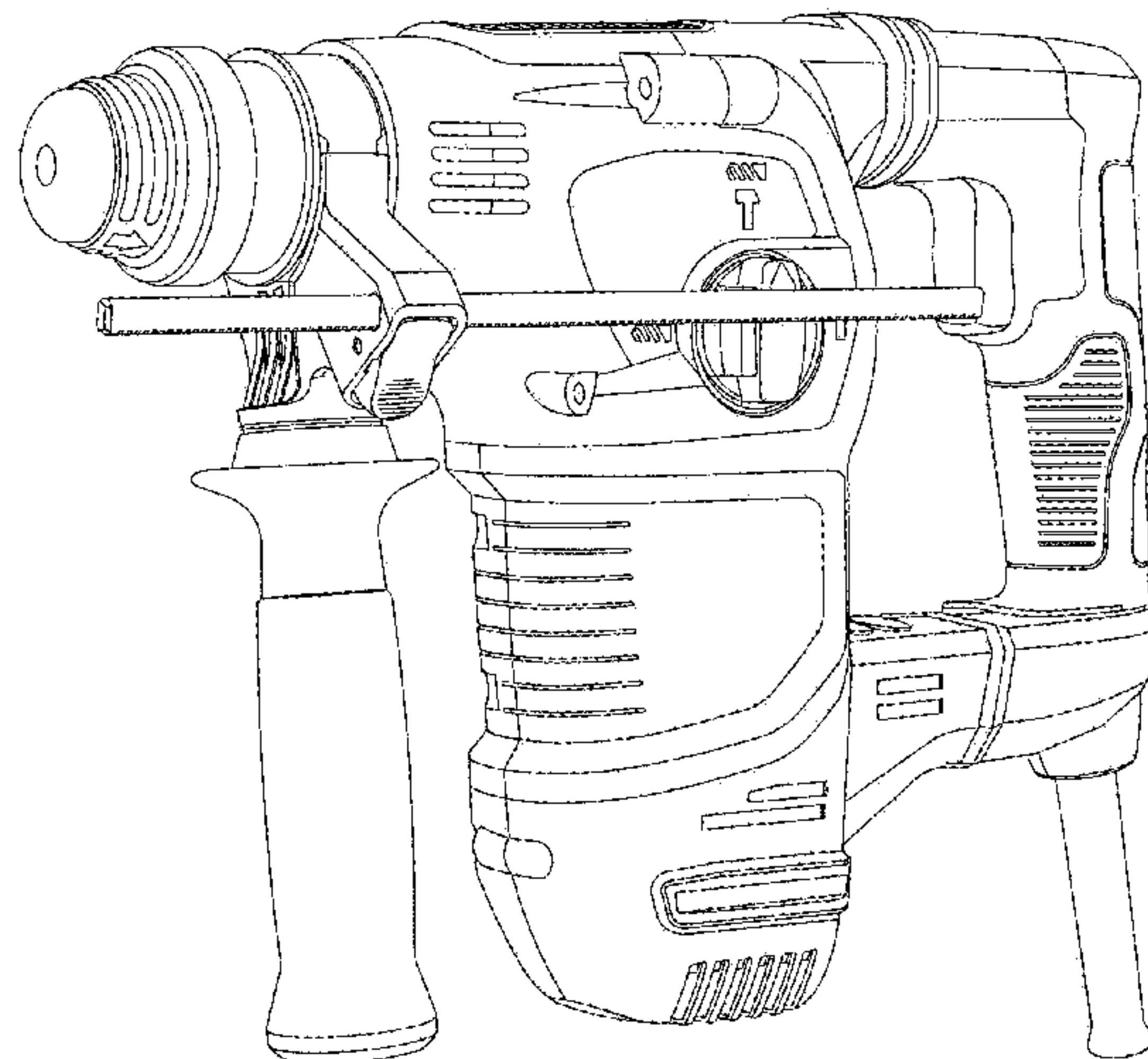
FIG. 6 is a top view thereof; and,

FIG. 7 is a bottom view thereof.

The inventive aspects of the current embodiments exist in the hammer drill having the quick change chuck with handle as a whole, in individual portions and/or elements thereof—particularly the quick change chuck with handle assembly individually—and in combinations of portions and elements of the hammer drill and/or the quick change chuck with handle assembly.

Some of the photographic drawings may include trademarks and other indicia thereon. Applicant's invention also includes the design without the trademarks and other indicia thereon. Applicant's invention further includes a continuous surface and/or pattern in lieu of the trademarks and/or other indicia.

1 Claim, 7 Drawing Sheets



(56)

References Cited

U.S. PATENT DOCUMENTS

D631,721 S *	2/2011	Aglassinger	D8/67
D687,279 S *	8/2013	Kuhnle	D8/69
D687,280 S *	8/2013	Koalick	D8/69
D765,485 S *	9/2016	Hoist	D8/68
D815,933 S *	4/2018	Koeniger	D8/69

* cited by examiner

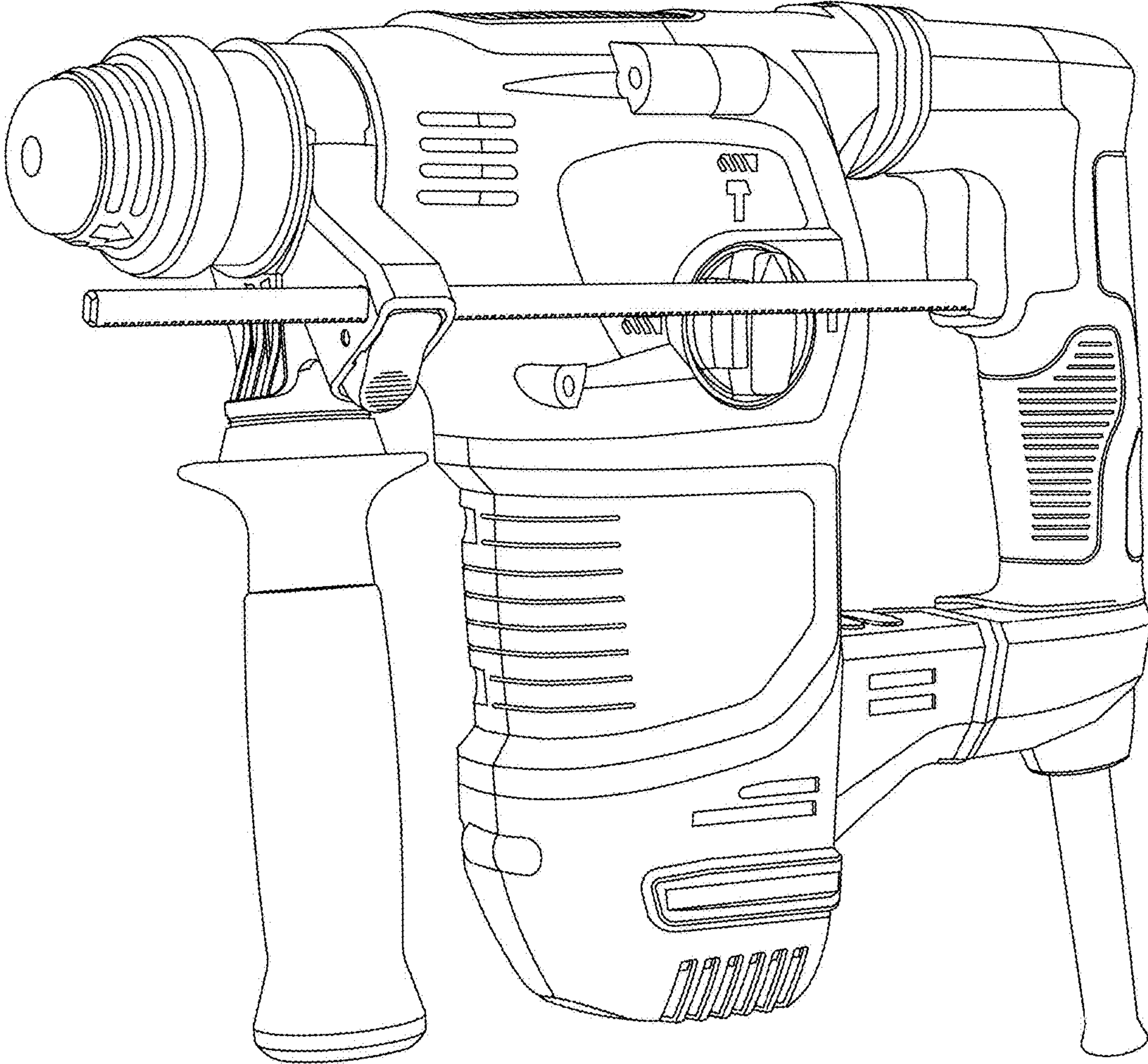


FIG. 1

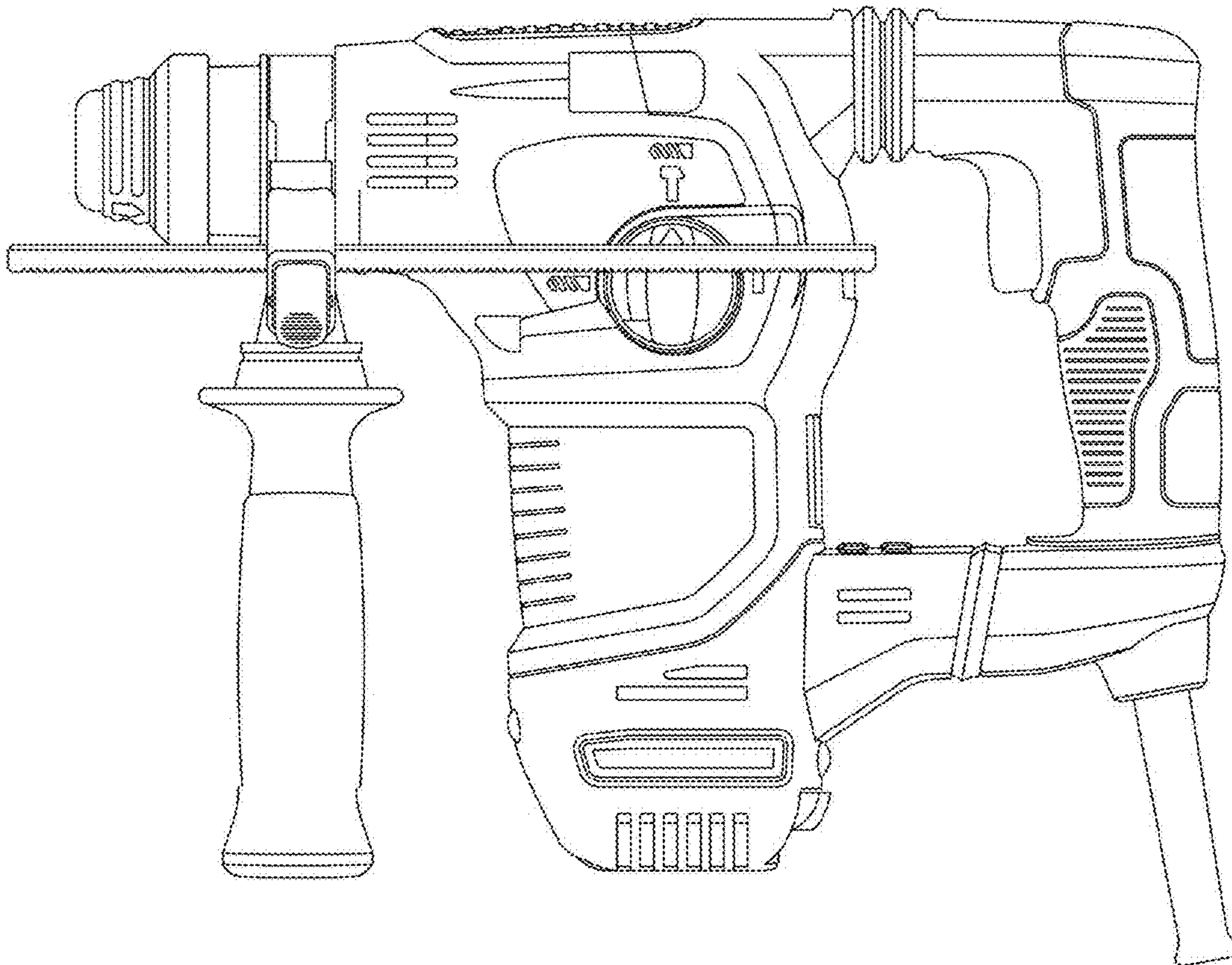


FIG. 2

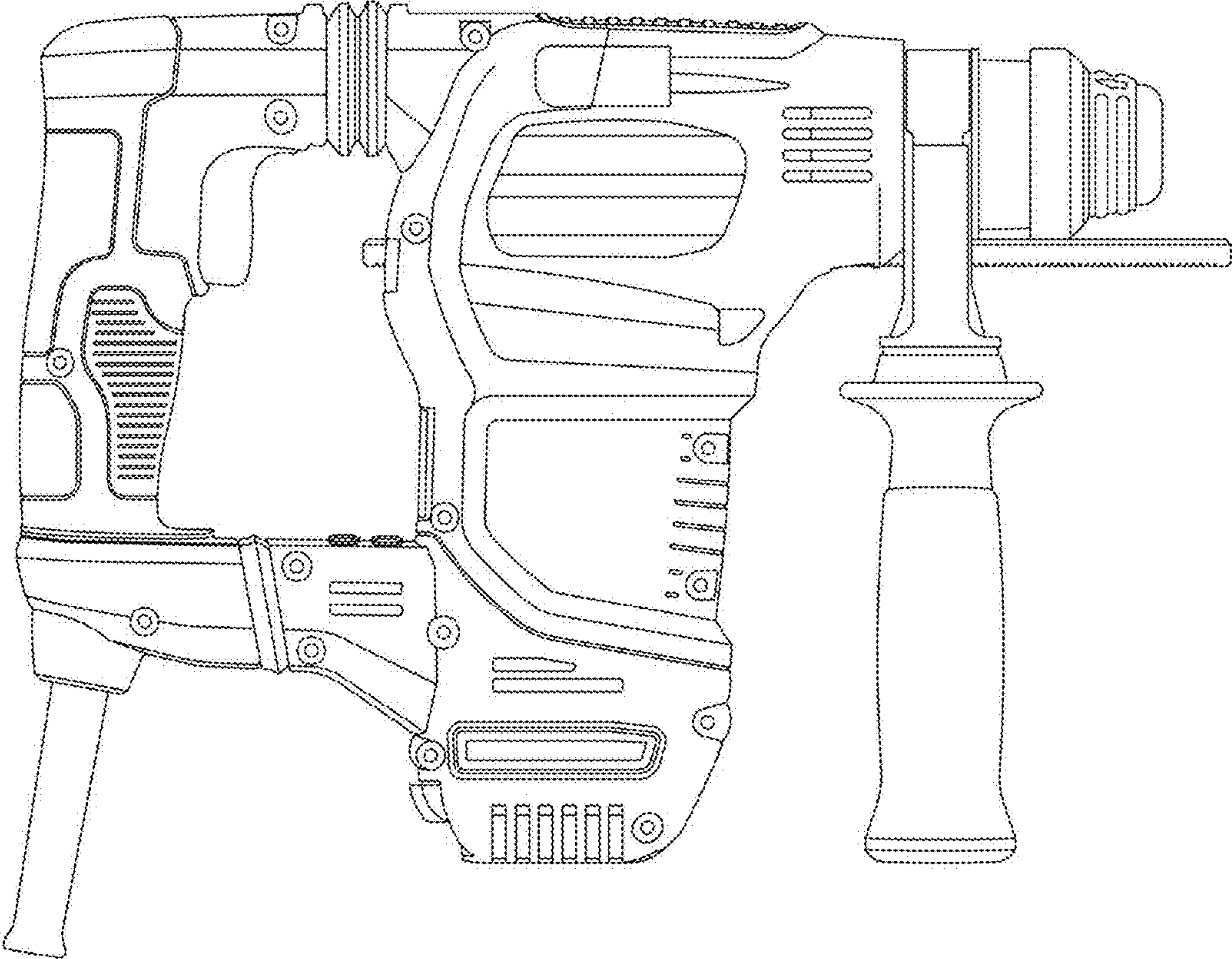


FIG. 3

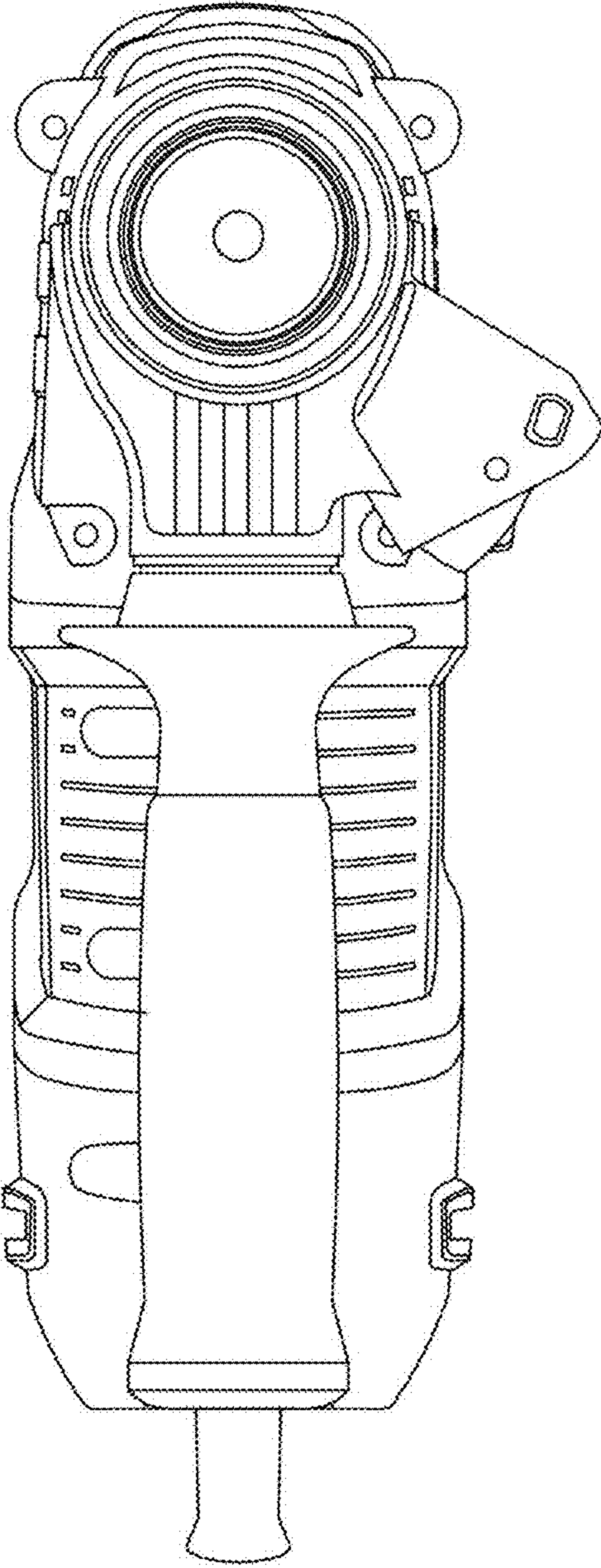


FIG. 4

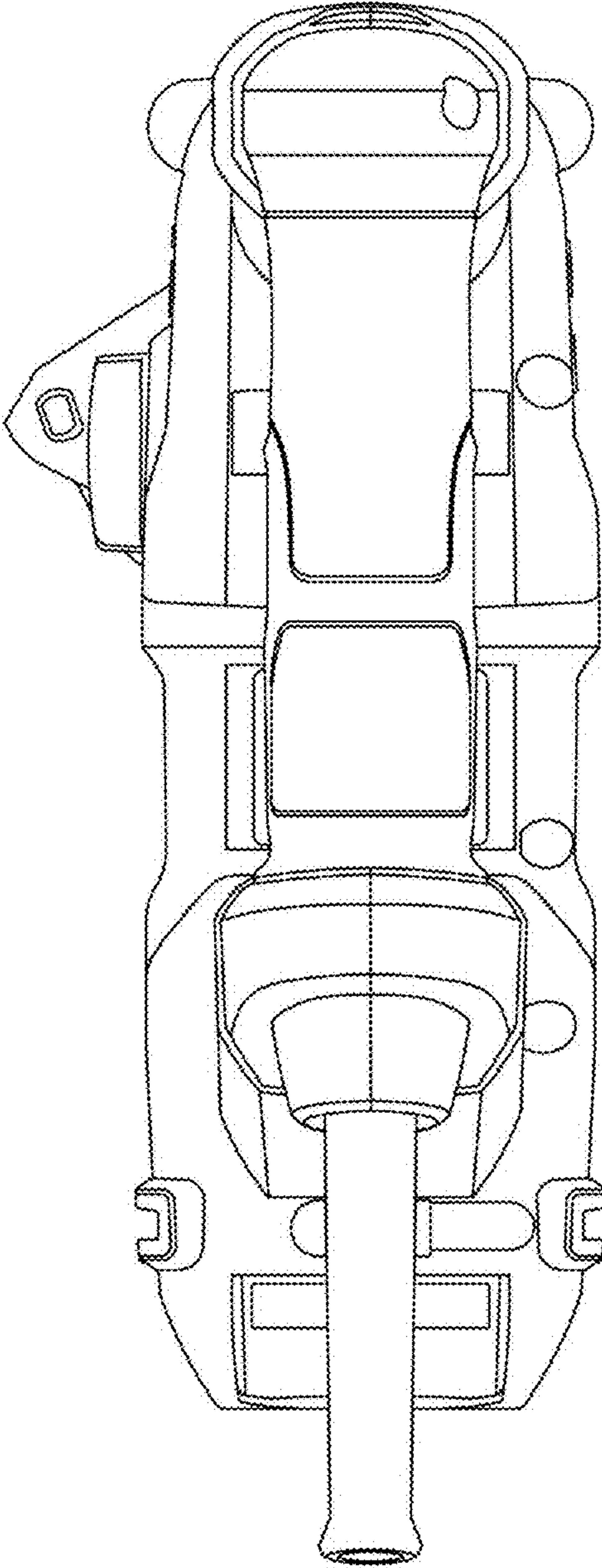


FIG. 5

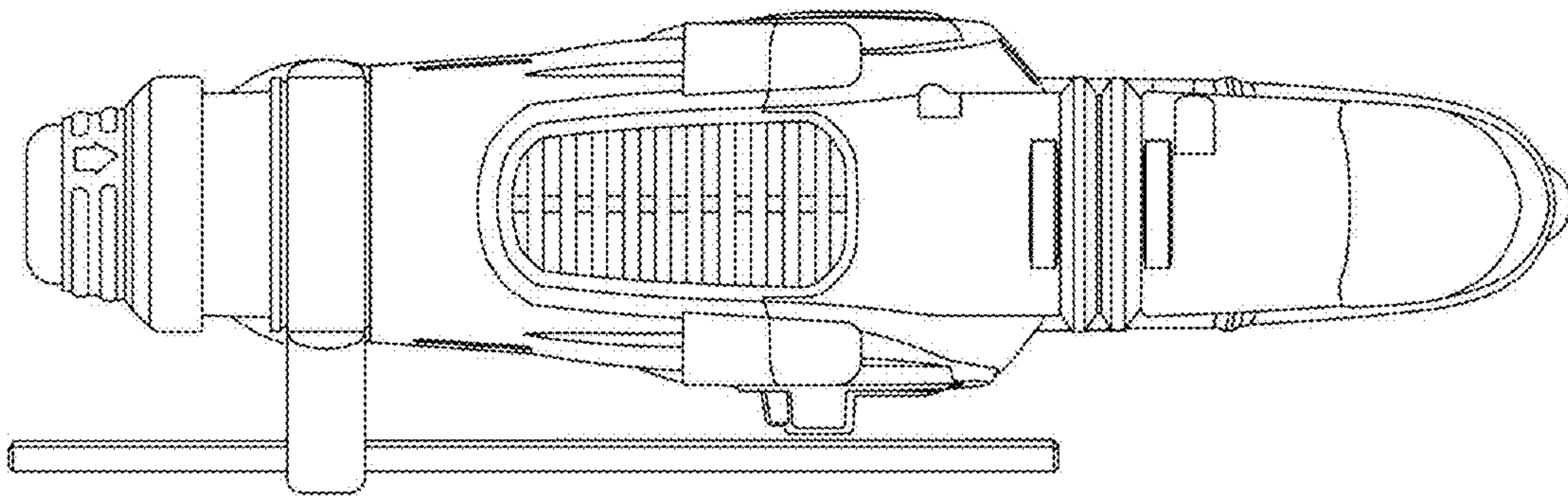


FIG. 6

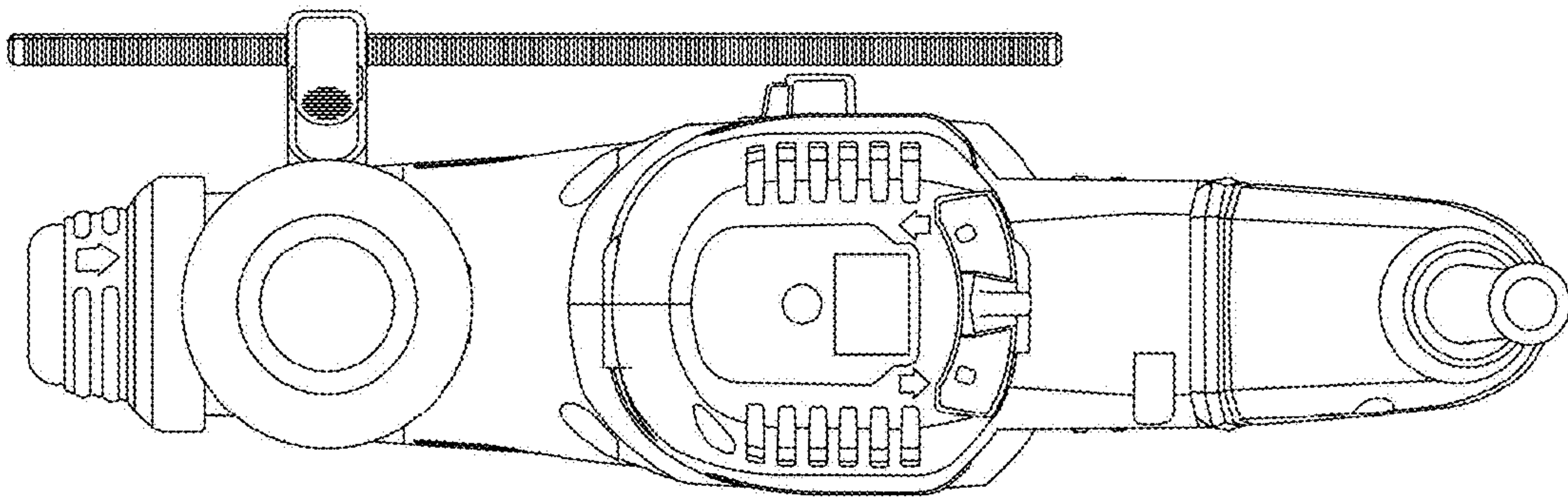


FIG. 7