



US00D830802S

(12) **United States Design Patent**
Okuda et al.

(10) **Patent No.:** **US D830,802 S**
(45) **Date of Patent:** **** Oct. 16, 2018**

(54) **PORTABLE ELECTRIC GRINDER**

(71) Applicant: **MAKITA CORPORATION**, Anjo-shi,
Aichi (JP)

(72) Inventors: **Shinsuke Okuda**, Anjo (JP); **Takahiro Kawakami**, Anjo (JP)

(73) Assignee: **MAKITA CORPORATION**, Anjo-Shi
(JP)

(**) Term: **15 Years**

(21) Appl. No.: **29/597,461**

(22) Filed: **Mar. 17, 2017**

(30) **Foreign Application Priority Data**

Sep. 20, 2016 (JP) 2016-020240

(51) **LOC (11) Cl.** **08-05**

(52) **U.S. Cl.**
USPC **D8/62**

(58) **Field of Classification Search**
USPC D8/61, 67, 68
CPC B24B 23/02; B24B 23/028; B24B 47/12;
B24B 7/186; B24B 55/052; B25F 5/001;
B25F 5/02; B25F 5/008
See application file for complete search history.

(56) **References Cited**

U.S. PATENT DOCUMENTS

D255,417 S *	6/1980	Sakamoto	D8/62
D295,824 S *	5/1988	Hoshino	D8/62
D297,907 S *	10/1988	Hoshimo	D8/62
D301,830 S *	6/1989	Ogawa	D8/62
D328,841 S *	8/1992	Fushiya	D8/62
D332,559 S *	1/1993	Miyoshi	D8/62
D347,153 S *	5/1994	Uneyama	D8/62
D433,906 S *	11/2000	Heun	D8/61
D450,989 S *	11/2001	Schoen	D8/62
D453,288 S *	2/2002	Lui	D8/62
D468,179 S *	1/2003	Hayakawa	D8/62

(Continued)

OTHER PUBLICATIONS

Makita General Catalogue 2016; Model No. GA7040R and DGA406;
Japan.

Primary Examiner — Darlington Ly
(74) *Attorney, Agent, or Firm* — Global IP Counselors,
LLP

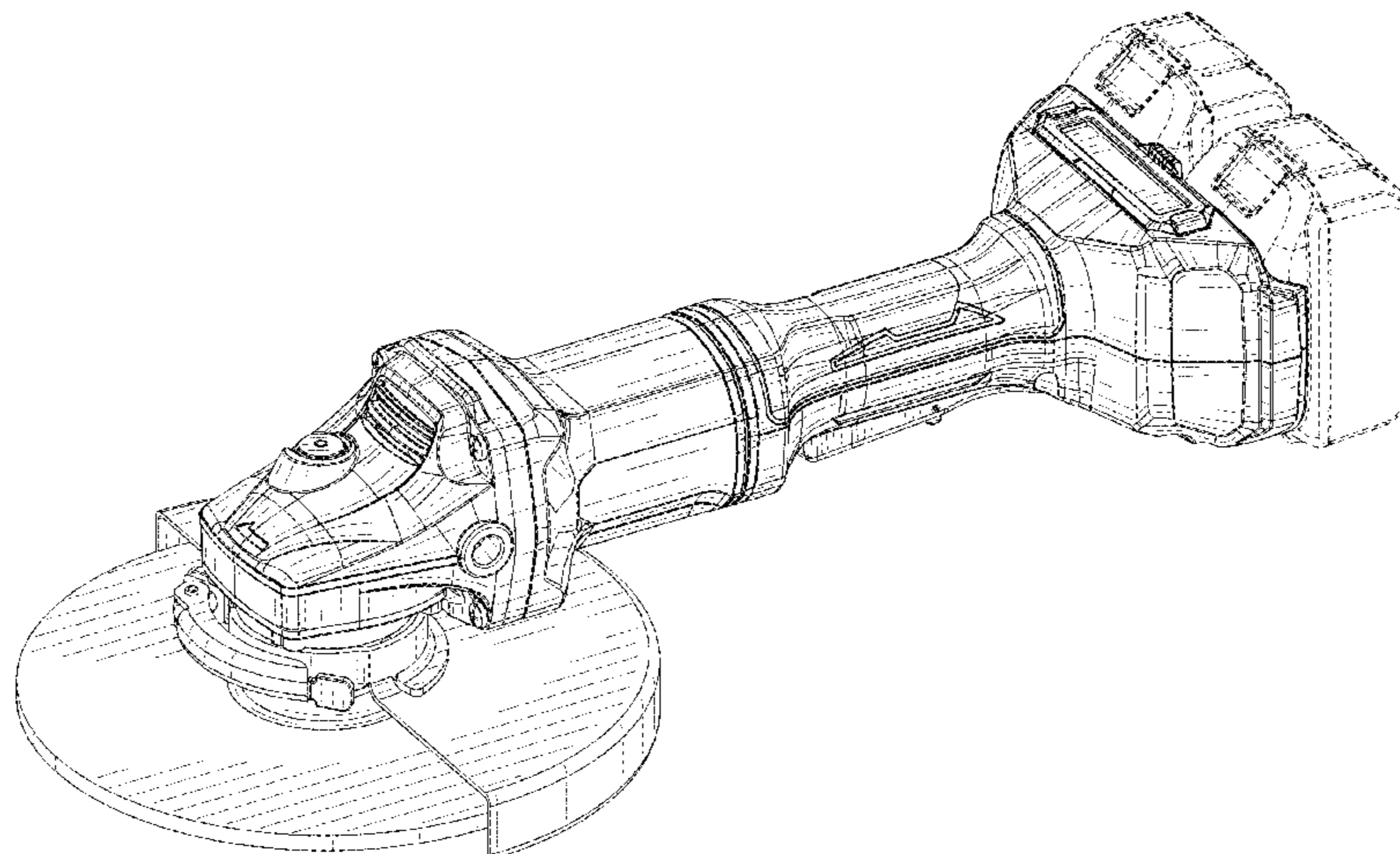
(57) **CLAIM**

The ornamental design for a portable electric grinder, as
shown and described.

DESCRIPTION

FIG. 1 is a front perspective view of a portable electric
grinder in accordance with our new design;
FIG. 2 is a rear perspective view of the portable electric
grinder in accordance with our new design;
FIG. 3 is a front elevational view of the portable electric
grinder in accordance with our new design;
FIG. 4 is a rear elevational view of the portable electric
grinder in accordance with our new design;
FIG. 5 is a top plan view of the portable electric grinder in
accordance with our new design;
FIG. 6 is a bottom plan view of the portable electric grinder
in accordance with our new design;
FIG. 7 is a right side elevational view of the portable electric
grinder in accordance with our new design;
FIG. 8 is a left side elevational view of the portable electric
grinder in accordance with our new design; and,
FIG. 9 is a front perspective view, similar to FIG. 1 of the
portable electric grinder in accordance with our new design
illustrating a state in which rechargeable batteries are
attached to the portable electric grinder.
The broken lines in the drawings illustrate portions of the
portable electric grinder and environmental rechargeable
batteries that do not form part of the claimed design.

1 Claim, 8 Drawing Sheets



(56)

References Cited

U.S. PATENT DOCUMENTS

D521,833	S *	5/2006	Okuda	D8/62
D527,966	S *	9/2006	Hayakawa	D8/62
7,128,641	B1 *	10/2006	Lin	B24B 23/022
					451/359
D548,034	S *	8/2007	Hayakawa	D8/62
D592,026	S *	5/2009	Okuda	D8/62
D605,013	S *	12/2009	Kokawa	D8/62
D609,542	S *	2/2010	Misaki	D8/62
D632,152	S *	2/2011	Okuda	D8/62
D634,170	S *	3/2011	Hu	D8/62
D660,118	S *	5/2012	Bast	D8/62
D660,119	S *	5/2012	Fukumoto	D8/62
D685,240	S *	7/2013	Waldron	D8/62
D707,516	S *	6/2014	Aglassinger	D8/62
D707,517	S *	6/2014	Aglassinger	D8/62
D707,518	S *	6/2014	Tagscherer	D8/62
D710,170	S *	8/2014	Aglassinger	D8/62
D710,171	S *	8/2014	Aglassinger	D8/62
D715,616	S *	10/2014	Aglassinger	D8/62
D746,118	S *	12/2015	Xu	D8/62
D767,961	S *	10/2016	Cooksey	D8/62
2004/0203329	A1 *	10/2004	Lin	B24B 45/006
					451/357
2009/0142998	A1 *	6/2009	Lin	B24B 23/026
					451/359
2016/0193713	A1 *	7/2016	Takeda	B24B 23/028
					451/359
2017/0072533	A1 *	3/2017	Yoshizaki	B24B 23/02
2017/0106490	A1 *	4/2017	Privett, Jr.	B24B 23/02
2017/0182649	A1 *	6/2017	Ito	B25F 5/02
2018/0056497	A1 *	3/2018	Chen	B24B 23/028
2018/0085884	A1 *	3/2018	Liaw	B24B 47/12

* cited by examiner

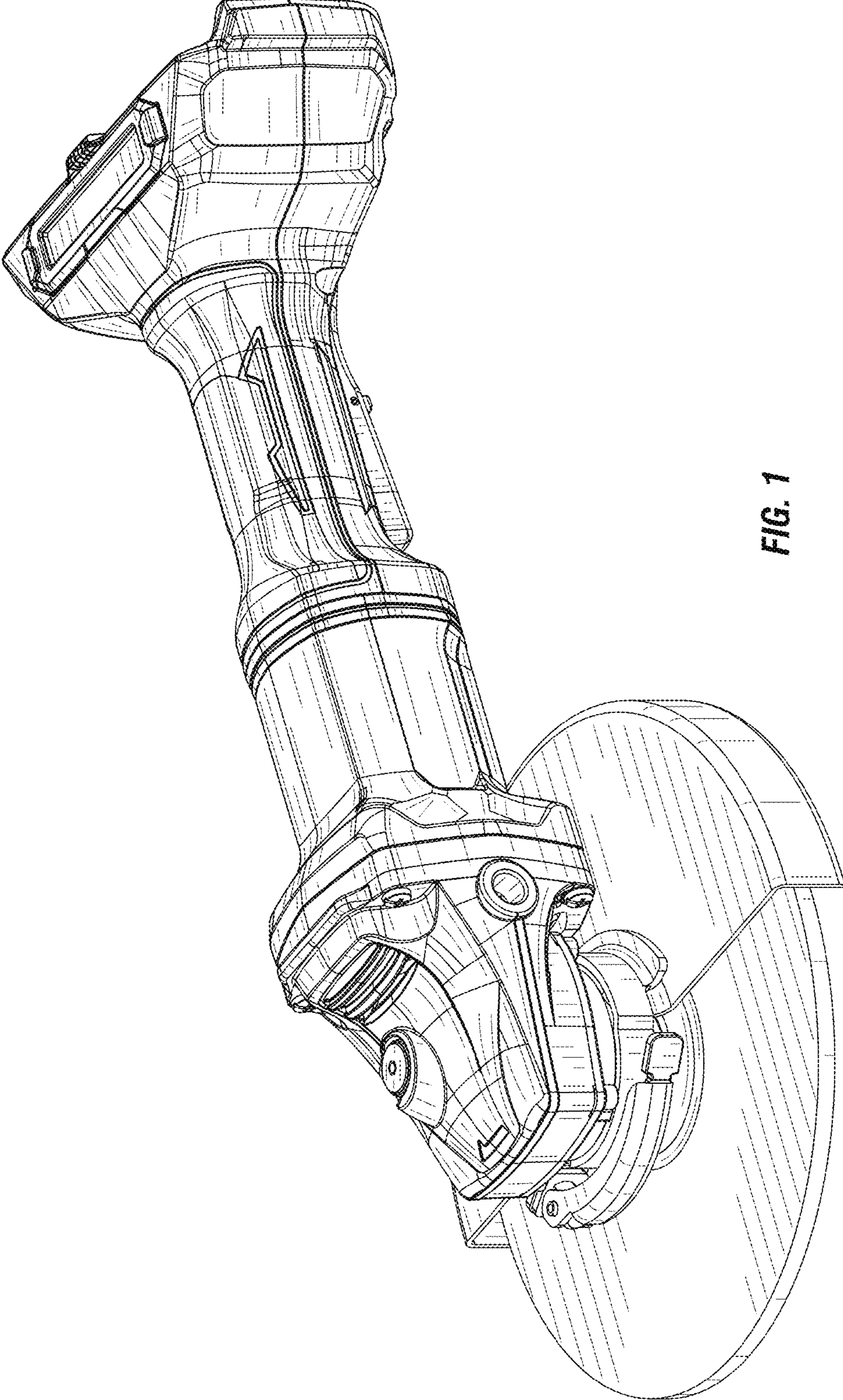


FIG. 1

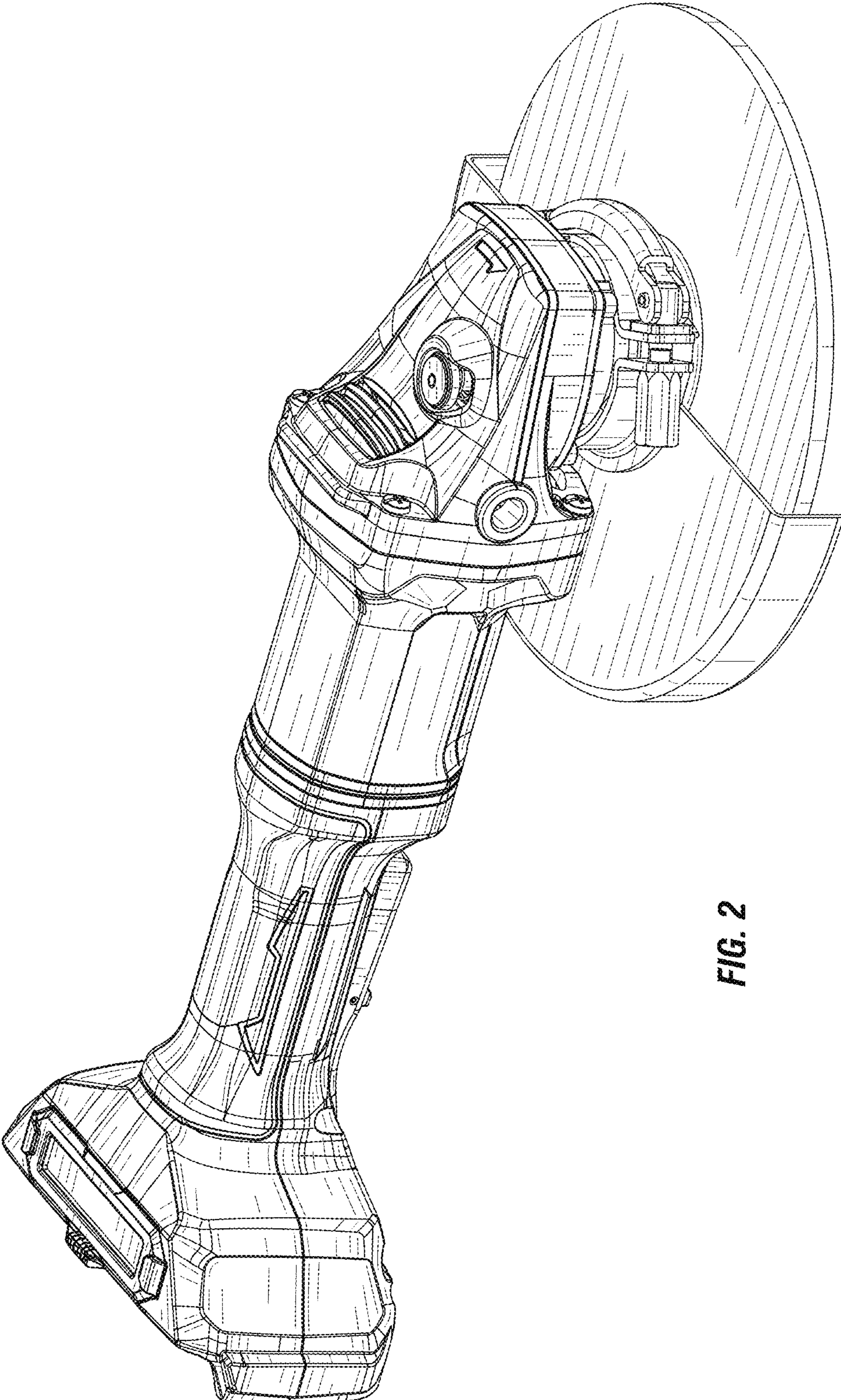


FIG. 2

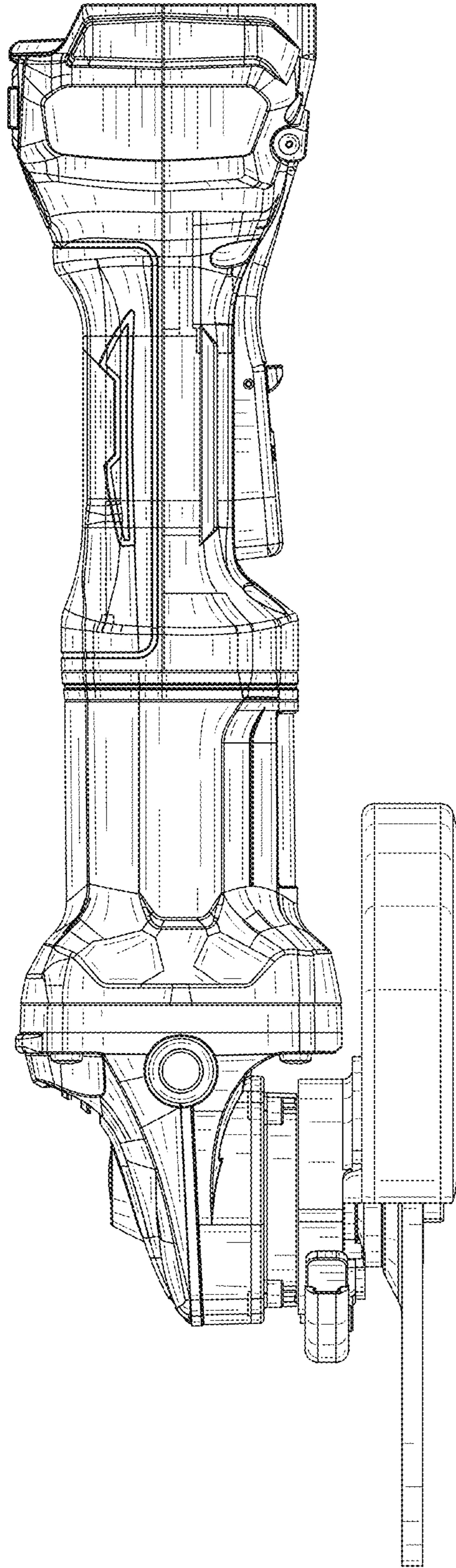


FIG. 3

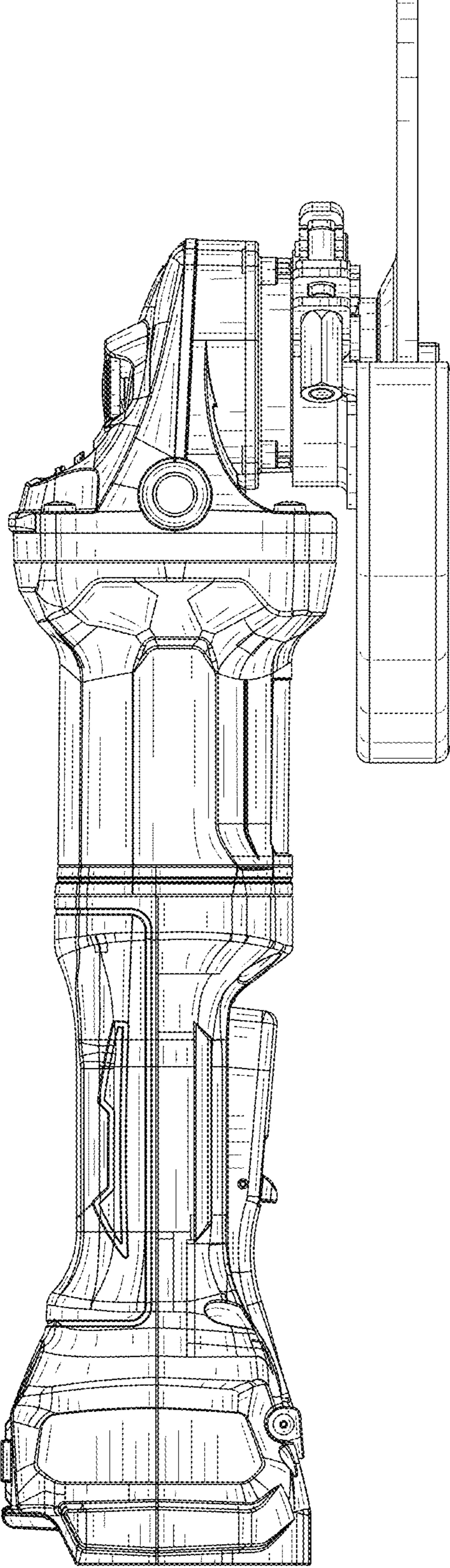


FIG. 4

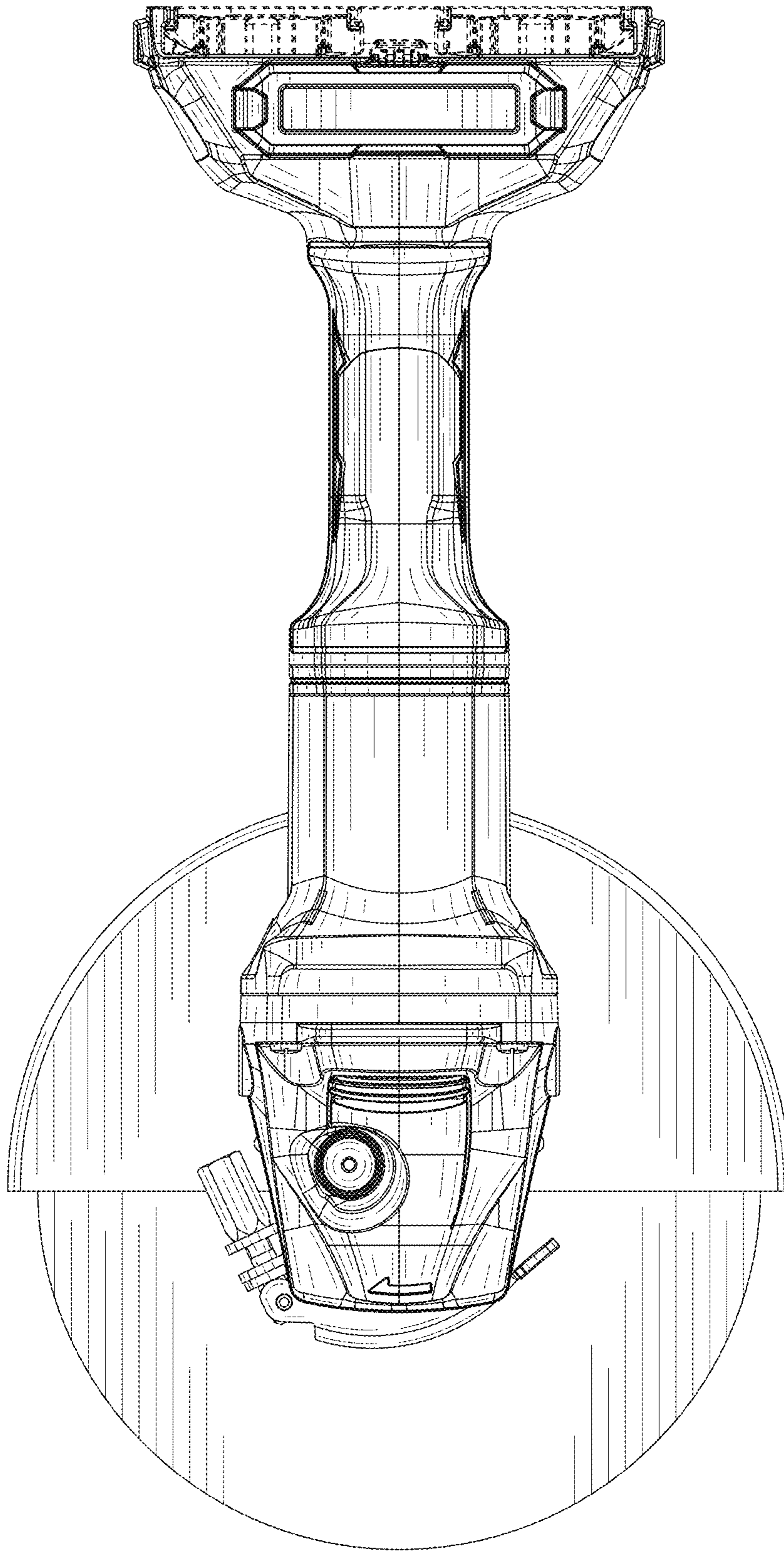


FIG. 5

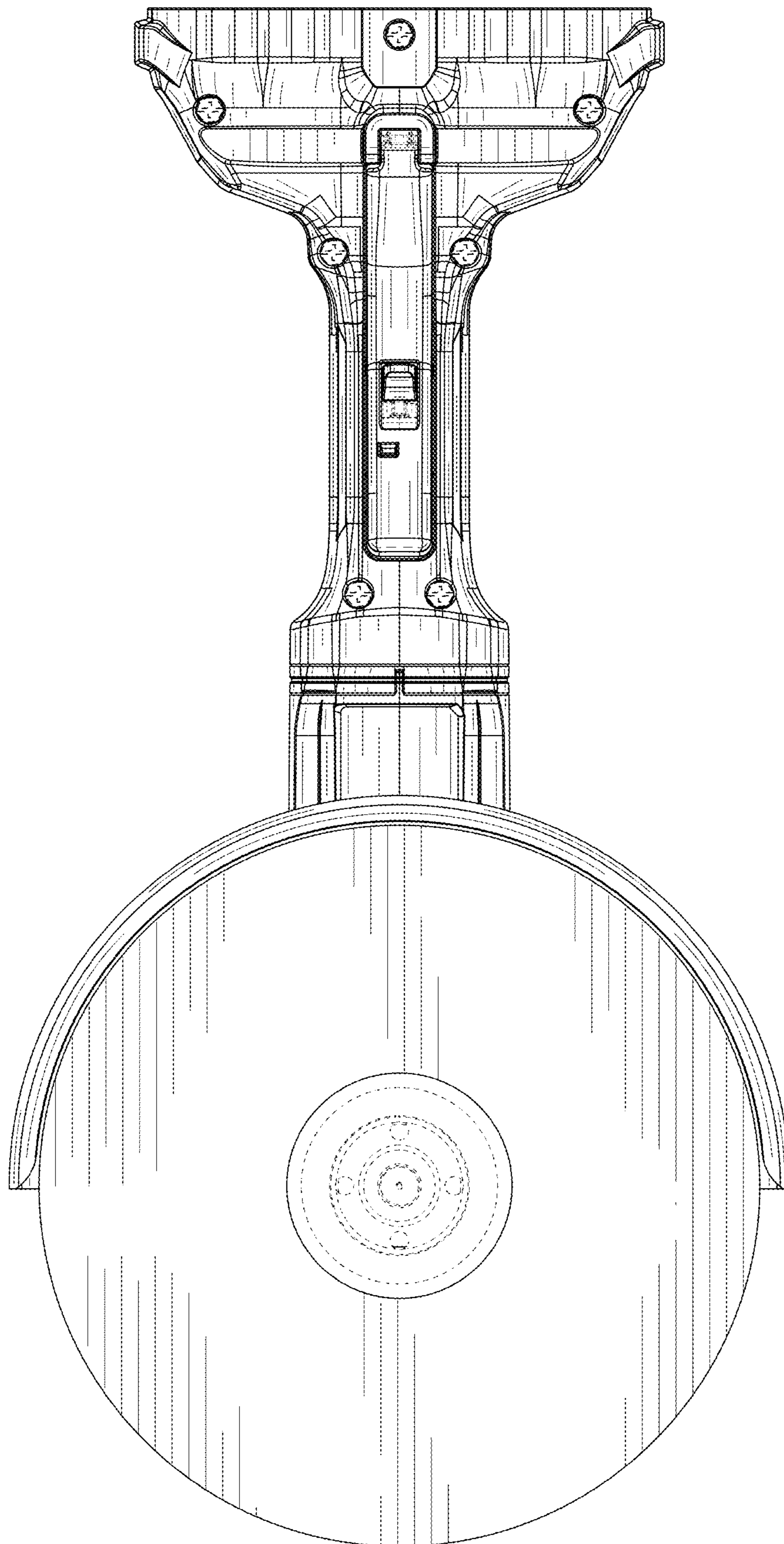


FIG. 6

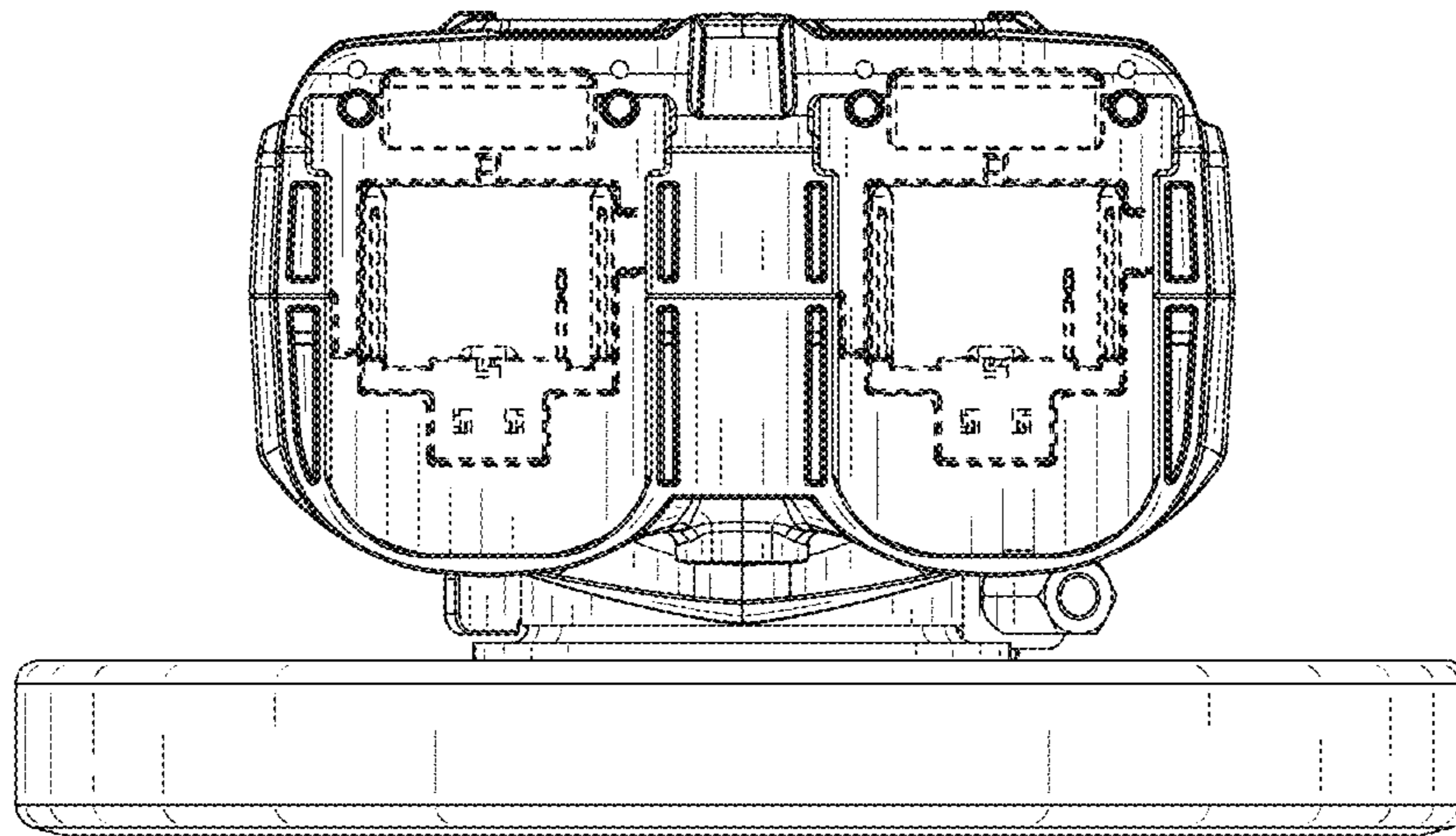


FIG. 7

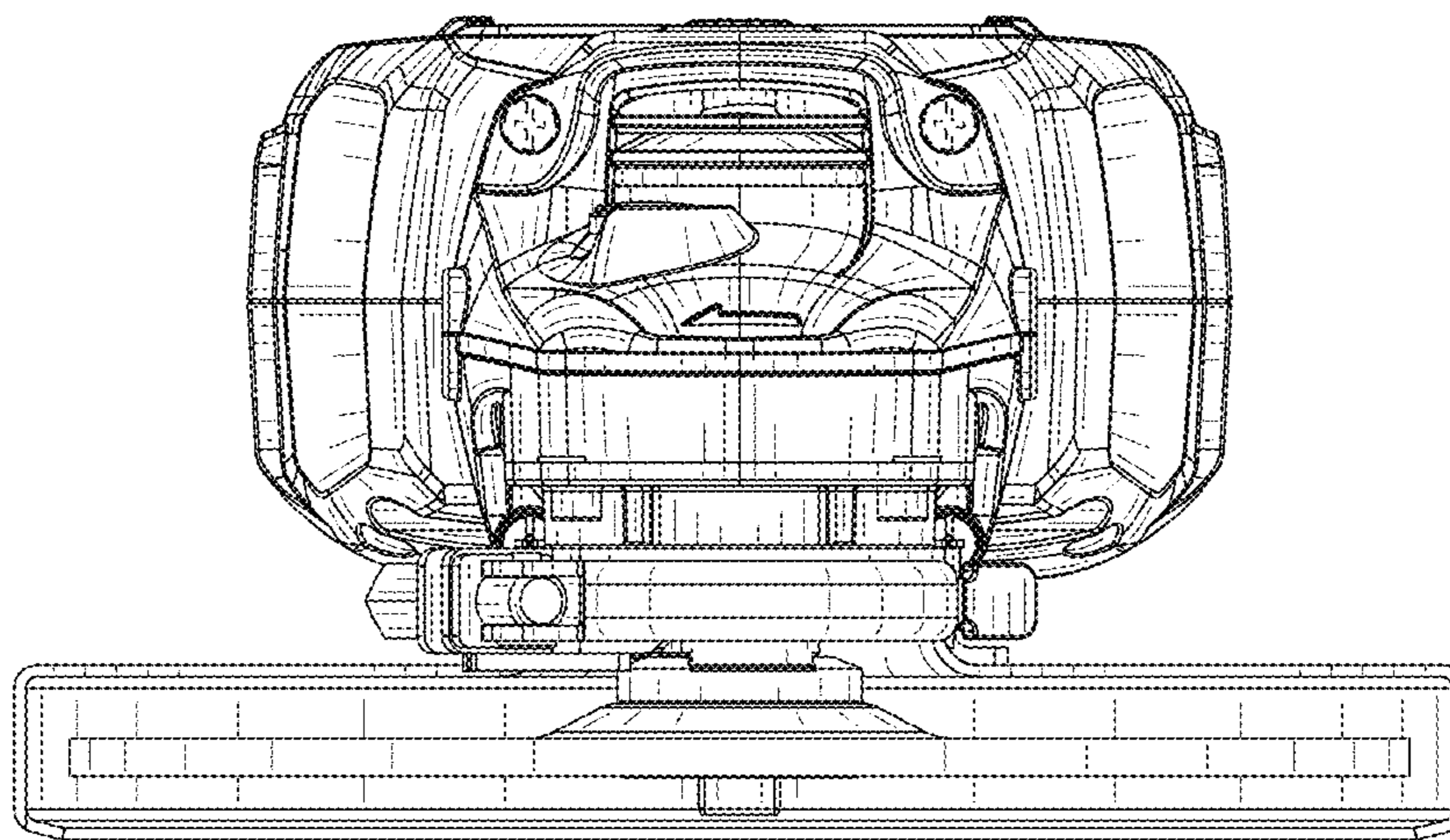


FIG. 8

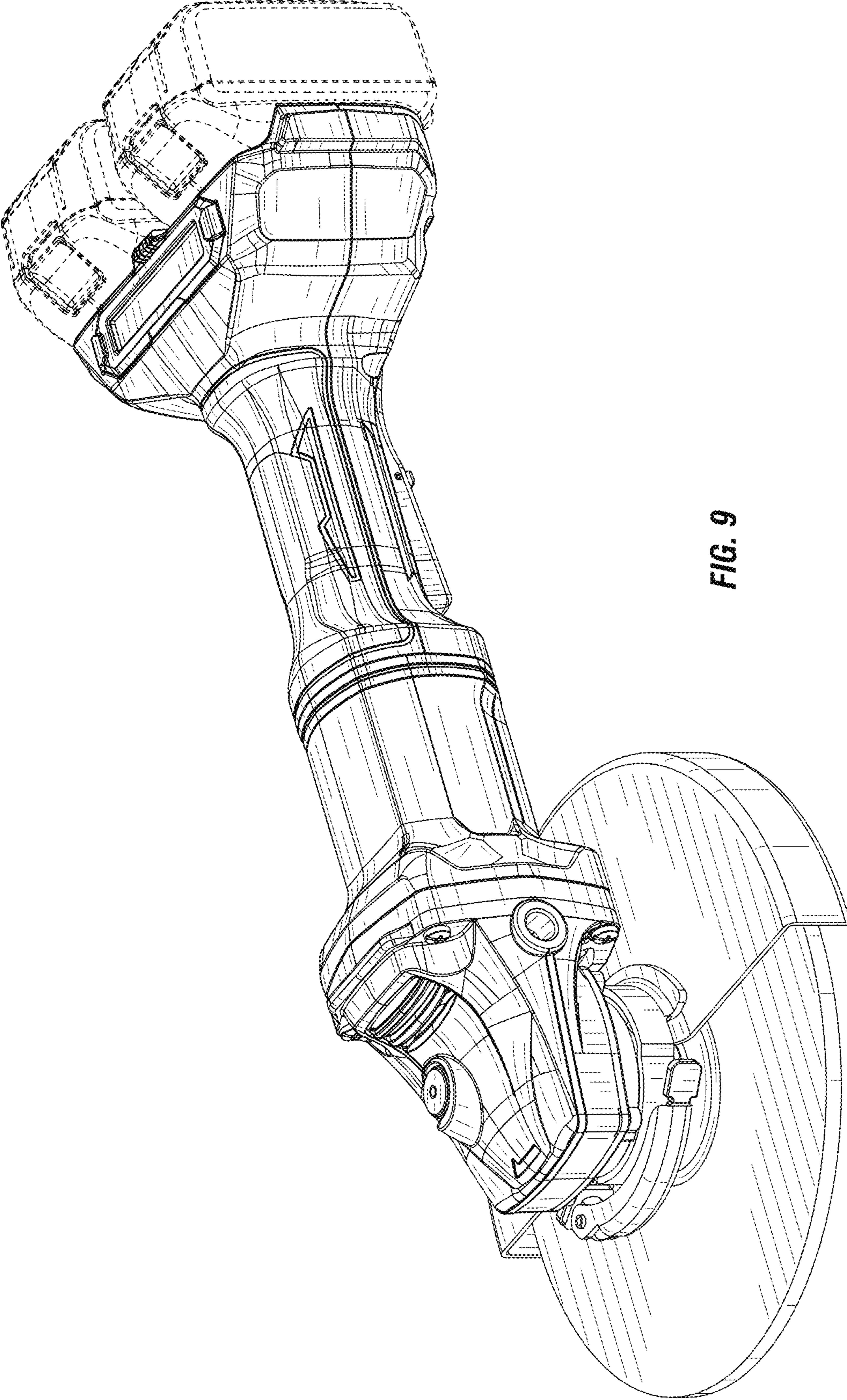


FIG. 9