

US00D830801S

(12) **United States Design Patent** (10) **Patent No.:** **US D830,801 S**
Chao (45) **Date of Patent:** **** Oct. 16, 2018**

(54) **LOAD BINDER WITH AN ENCLOSED RATCHET MECHANISM AND REMOVABLE HANDLE**

(71) Applicant: **James Chuan Chao**, Potomac, MD (US)

(72) Inventor: **James Chuan Chao**, Potomac, MD (US)

(**) Term: **15 Years**

(21) Appl. No.: **29/603,282**

(22) Filed: **May 8, 2017**

Related U.S. Application Data

(63) Continuation-in-part of application No. 29/603,257, filed on May 8, 2017.

(51) **LOC (11) Cl.** **08-05**

(52) **U.S. Cl.**
USPC **D8/44**

(58) **Field of Classification Search**
USPC D8/31-32, 44-47, 51, 88-89; 24/68 CT, 24/68 CD, 7 R, 270, 273; 254/231-232, 254/235, 258, 368
CPC .. B25B 25/00; B60P 7/08; B60P 7/083; B60P 7/0838; B60P 7/0853; B65D 63/00; B65D 63/10; B65D 63/14; B65D 71/02; B66D 3/14; B68B 3/12; F16B 21/12; F16G 3/006; F16G 11/12; F16G 15/00; F16G 15/04

See application file for complete search history.

(56) **References Cited**

U.S. PATENT DOCUMENTS

3,988,005	A *	10/1976	Mooney	F16G 15/00
					24/68 CD
4,500,073	A *	2/1985	Smith	F16G 15/00
					24/68 CT
4,512,062	A *	4/1985	Crook, Jr.	B60P 7/0838
					16/429
D309,854	S *	8/1990	Smith	D8/44
7,552,913	B1 *	6/2009	Amoss	F16G 11/12
					254/233
D772,032	S *	11/2016	Durbin	D8/44
D798,684	S *	10/2017	Lee	D8/70

* cited by examiner

Primary Examiner — Randall H Gholson

(57) **CLAIM**

The ornamental design for a load binder with an enclosed ratchet mechanism and removable handle, as shown and described.

DESCRIPTION

FIG. 1 is a top perspective view of the load binder with an enclosed ratchet mechanism and removable handle showing our new design;

FIG. 2 is a bottom perspective view thereof;

FIG. 3 is a front view thereof;

FIG. 4 is a rear view thereof;

FIG. 5 is a left view thereof;

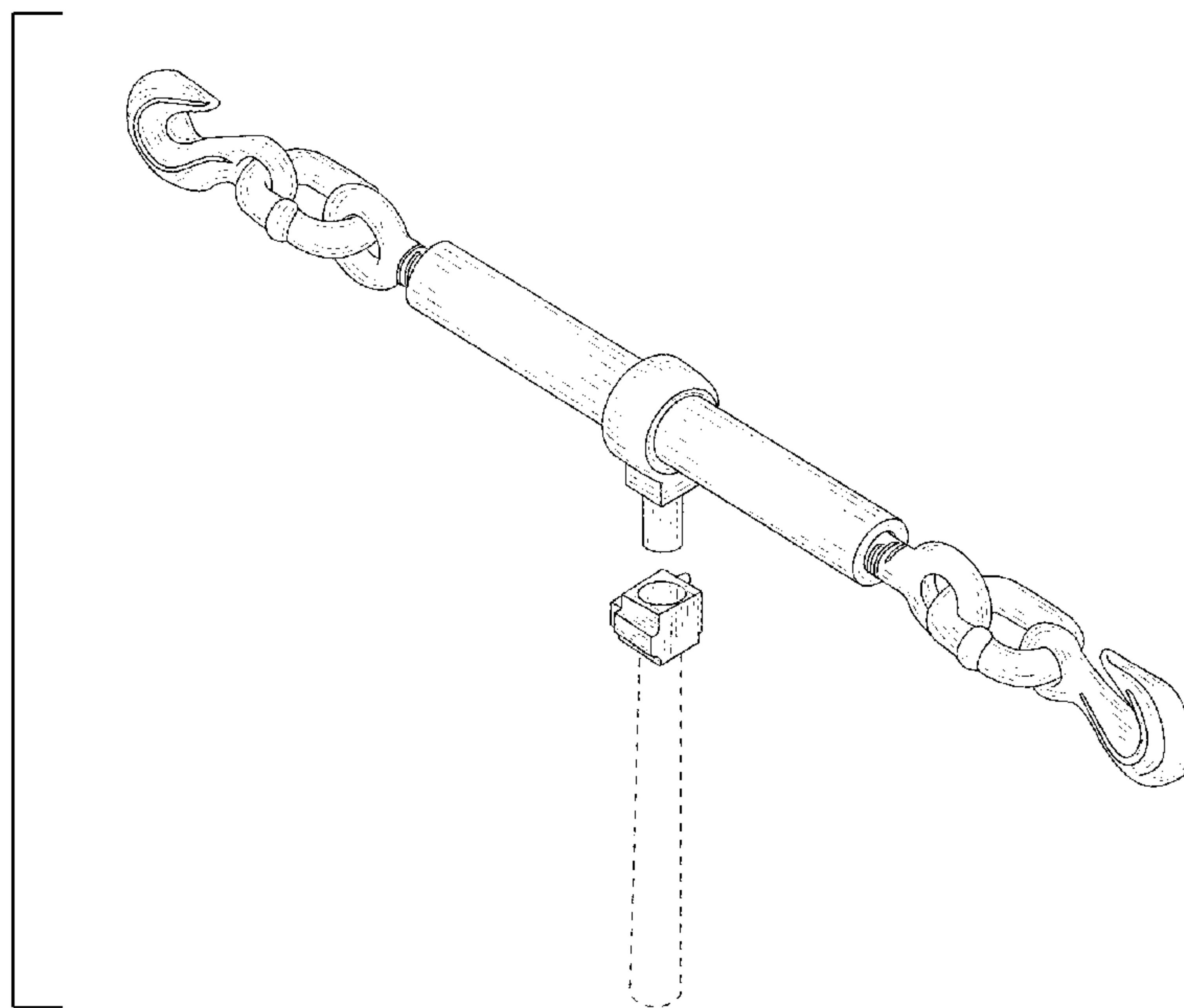
FIG. 6 is a right view thereof;

FIG. 7 is a top view thereof; and,

FIG. 8 is a bottom view thereof.

The broken line showing the handle in FIGS. 1-6 and FIG. 8 is included for the purpose of showing environmental structure and forms no part of the claimed design.

1 Claim, 8 Drawing Sheets



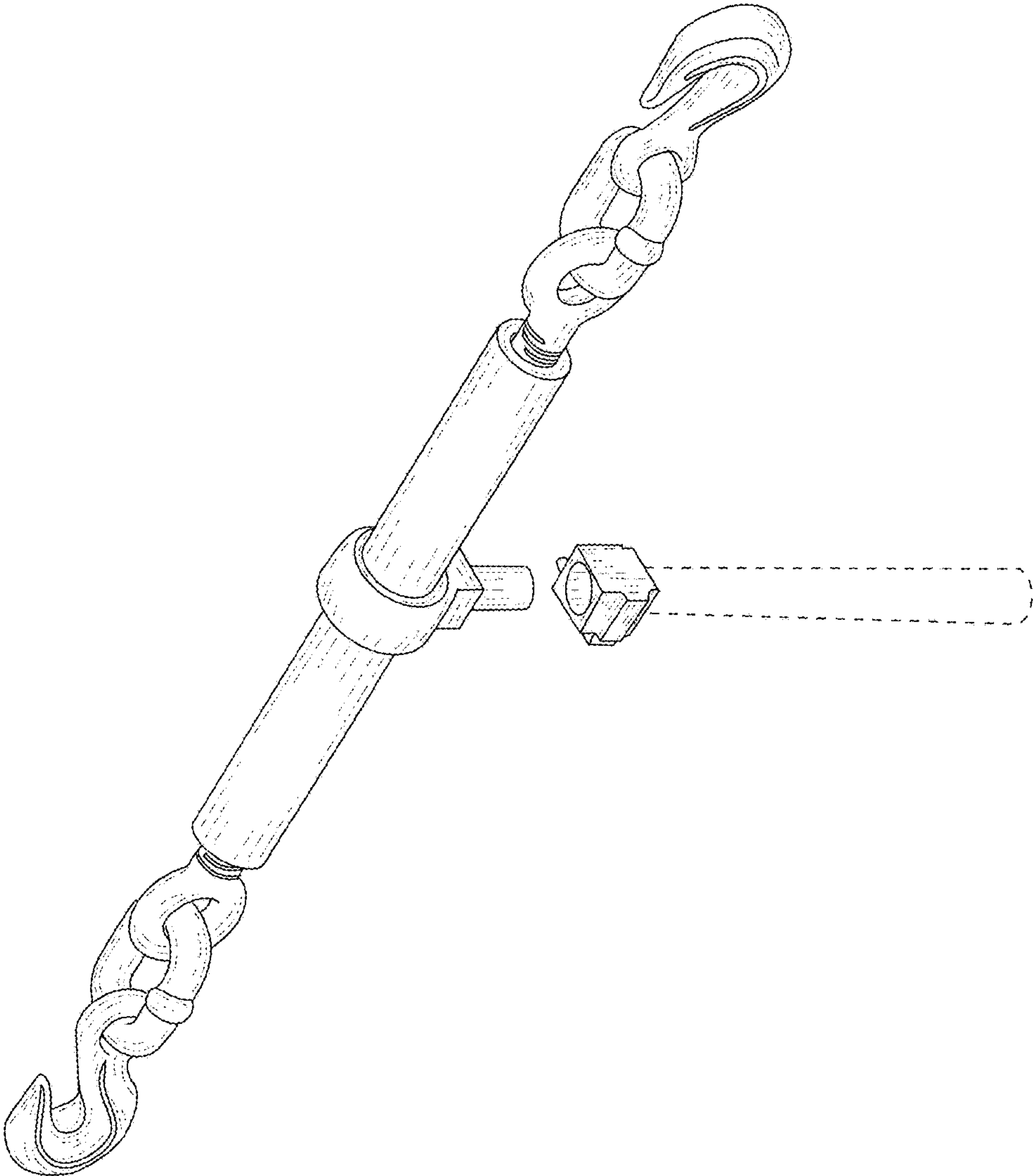


FIG. 1

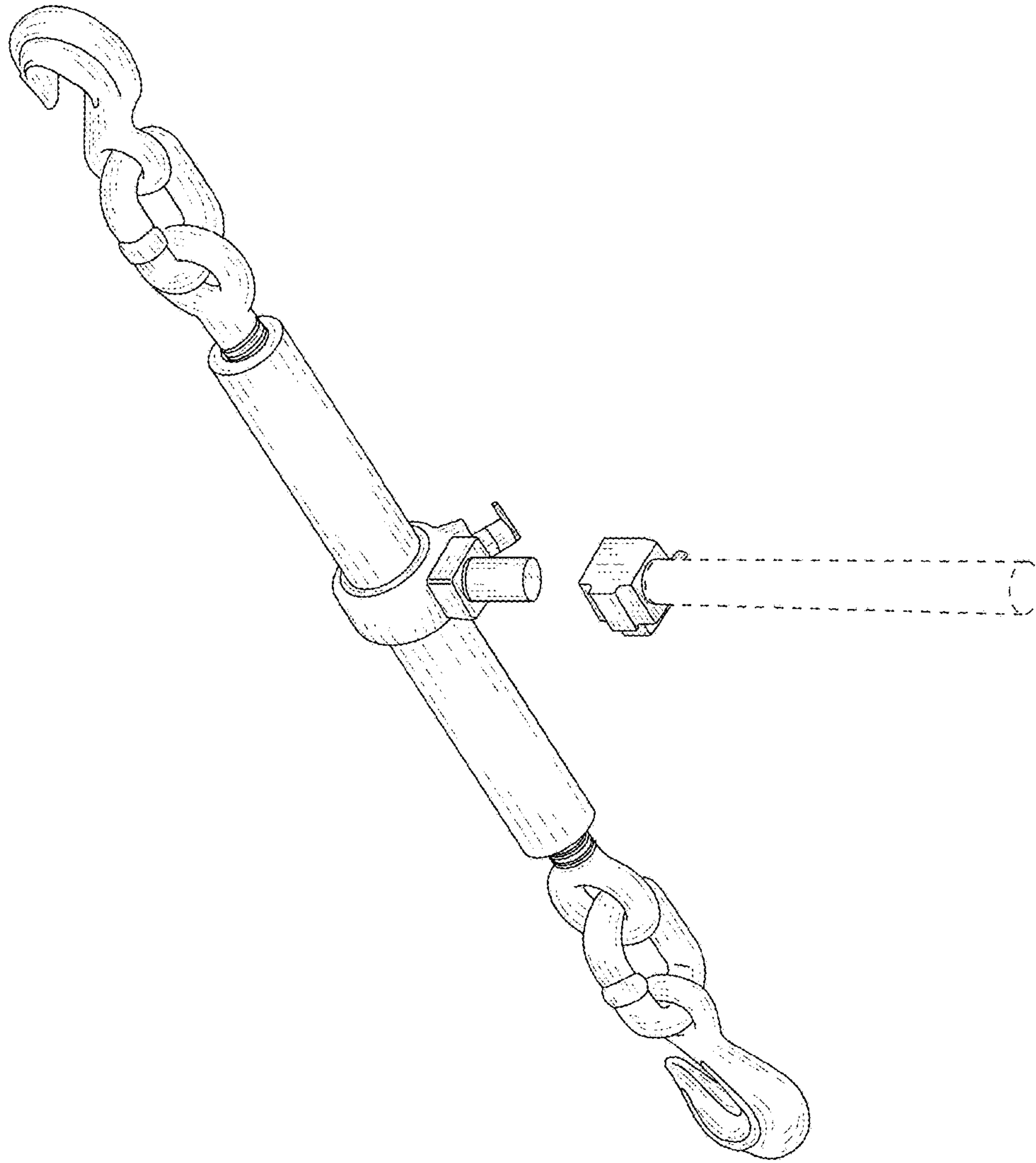


FIG. 2



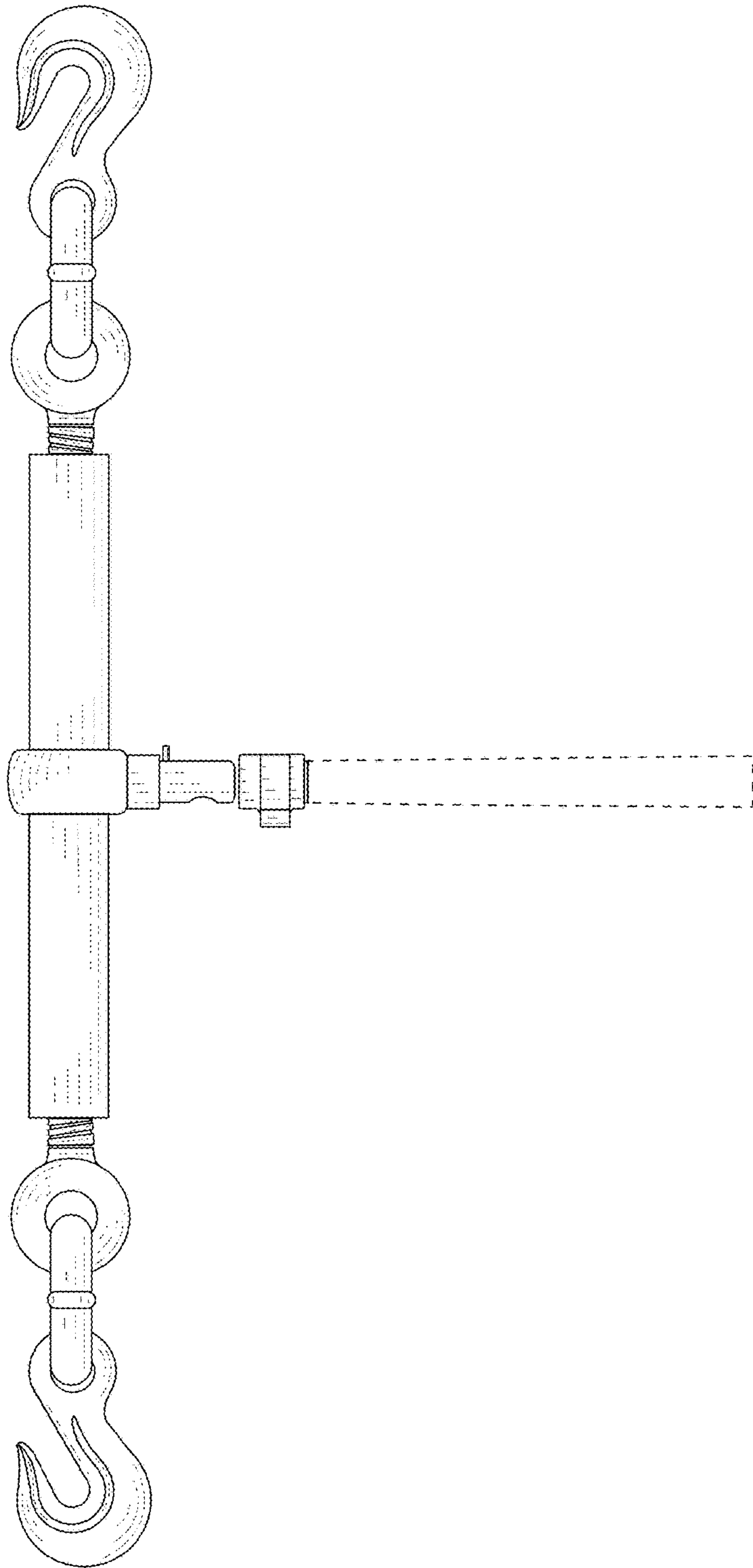


FIG. 3

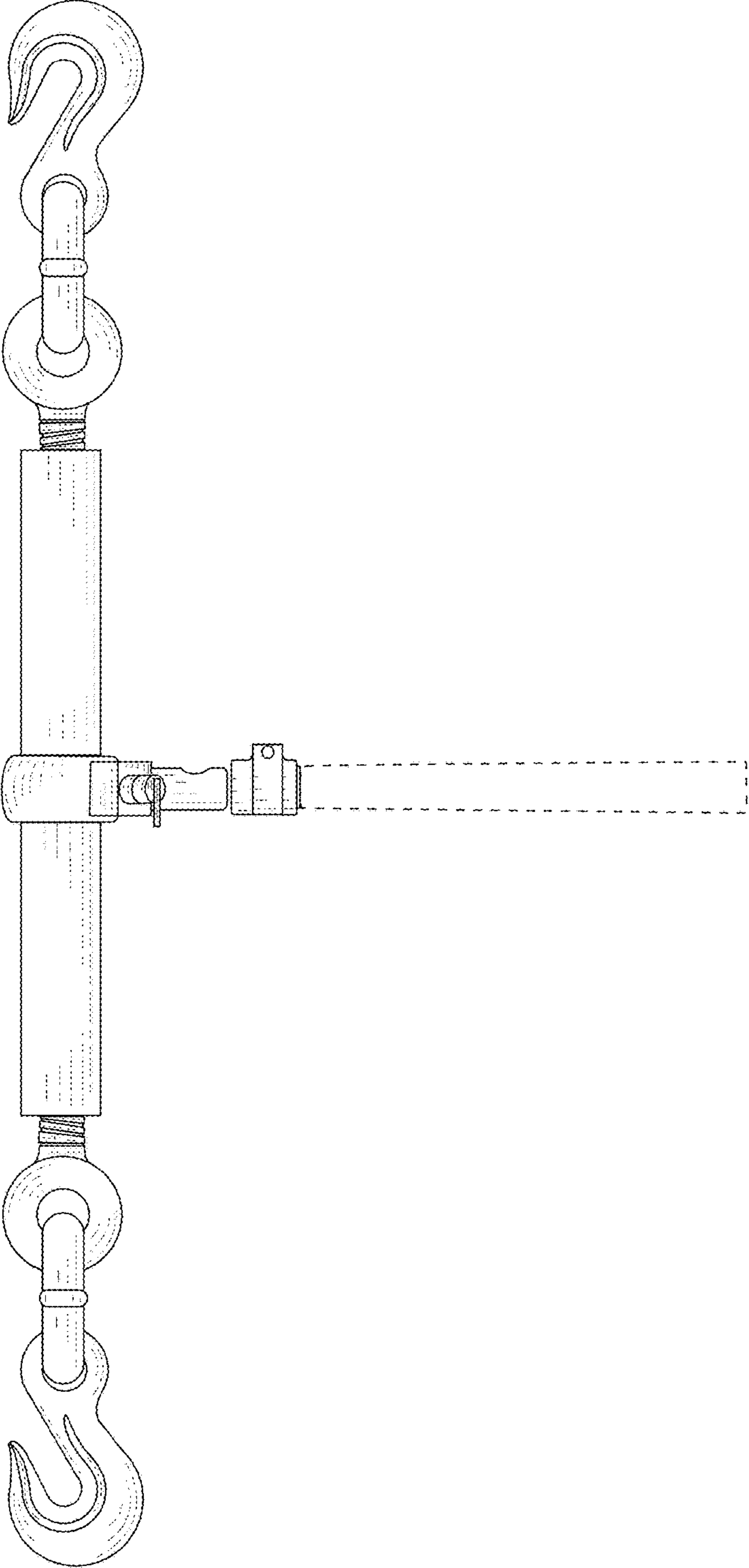


FIG. 4

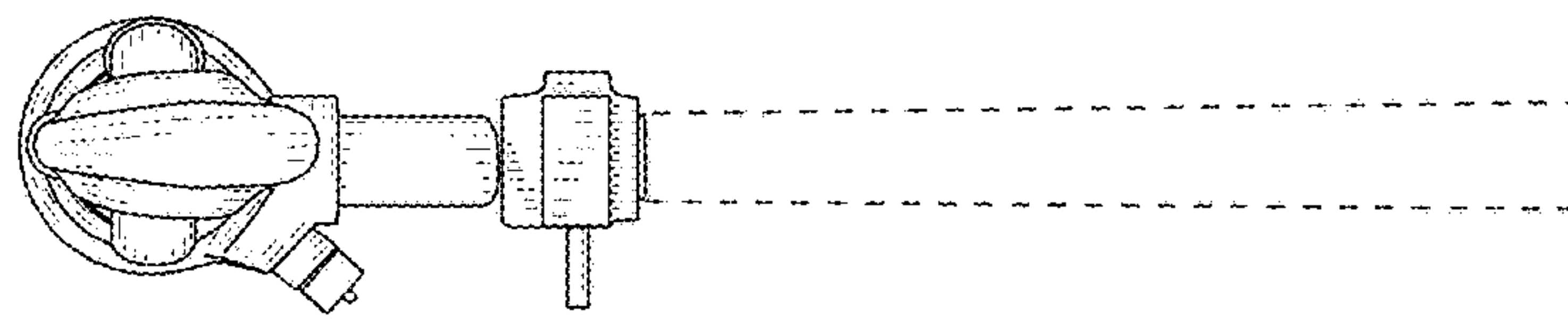


FIG. 5



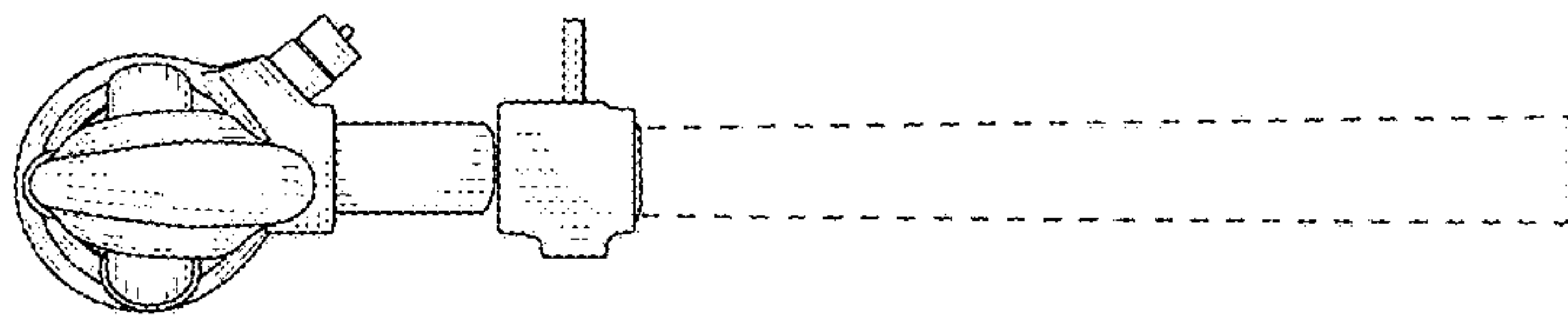


FIG. 6



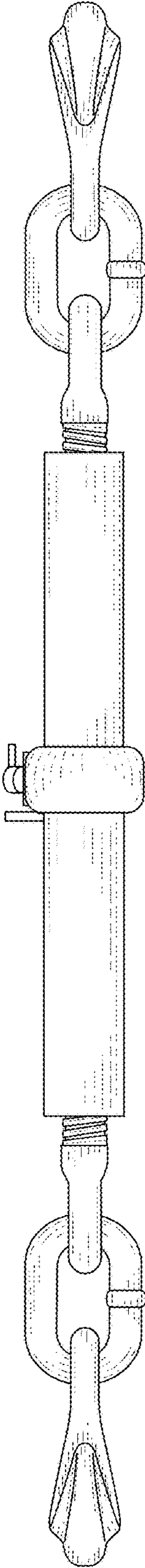


FIG. 7

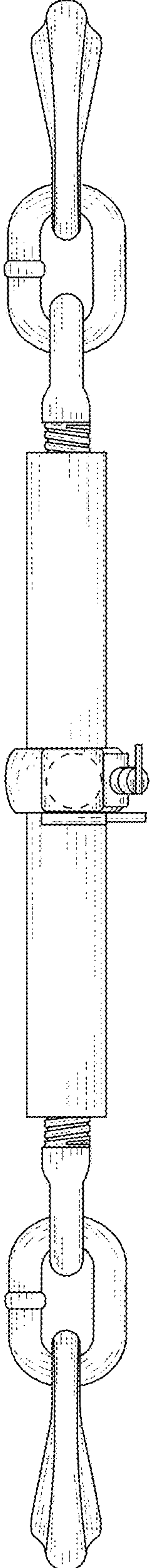


FIG. 8

UNITED STATES PATENT AND TRADEMARK OFFICE
CERTIFICATE OF CORRECTION

PATENT NO. : D830,801 S
APPLICATION NO. : 29/603282
DATED : October 16, 2018
INVENTOR(S) : Chao et al.

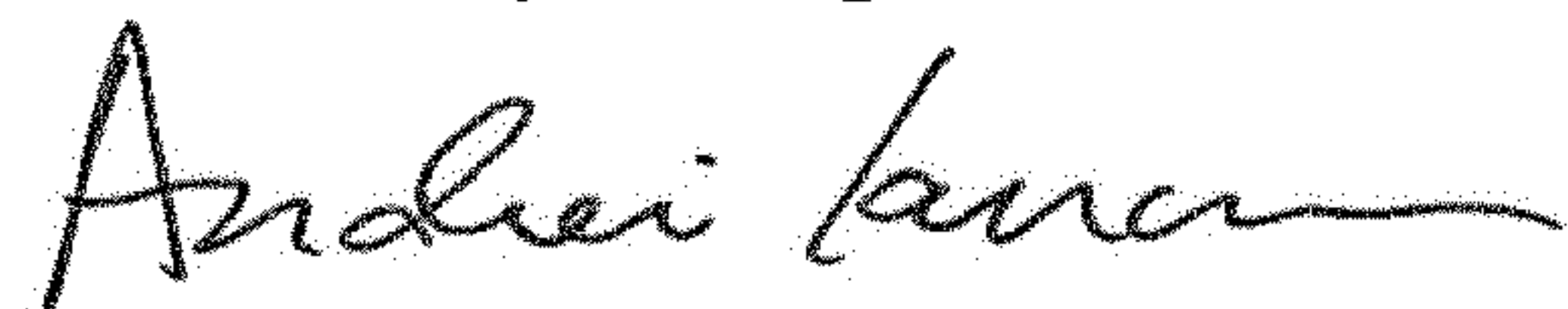
Page 1 of 1

It is certified that error appears in the above-identified patent and that said Letters Patent is hereby corrected as shown below:

On the Title Page

Item (72), Add Inventor --Jianmin Liu, Potomac, MD (US)--

Signed and Sealed this
Third Day of September, 2019



Andrei Iancu
Director of the United States Patent and Trademark Office