



US00D830799S

(12) **United States Design Patent** (10) **Patent No.:** **US D830,799 S**
Nájera et al. (45) **Date of Patent:** **** Oct. 16, 2018**

(54) **BOTTLE CAP OPENER**
(71) Applicants: **Juan Manuel Nájera**, Guatemala (GT);
Adam C Underwood, Miami, FL (US)
(72) Inventors: **Juan Manuel Nájera**, Guatemala (GT);
Adam C Underwood, Miami, FL (US)
(**) Term: **15 Years**

D453,572 S * 2/2002 Livecchi D24/224
6,729,491 B2 5/2004 Morris, Jr.
D506,910 S 7/2005 Tham-itthisak
D545,676 S * 7/2007 Rica D9/439
D546,178 S * 7/2007 McClain D9/435
D551,548 S * 9/2007 Didier D9/439
D553,926 S 10/2007 Velez
D613,554 S * 4/2010 Koennecke D7/509
D637,466 S 5/2011 Singleton

(Continued)

(21) Appl. No.: **29/572,954**
(22) Filed: **Aug. 1, 2016**
(51) **LOC (11) Cl.** **07-99**
(52) **U.S. Cl.**
USPC **D8/18; D9/436**
(58) **Field of Classification Search**
USPC D3/202, 318, 208, 210; D7/305, 387,
D7/396.1, 396.2, 397, 511, 629, 507, 509,
D7/523; D9/434-437, 439, 440, 447,
D9/449, 450, 454, 499, 780, 443; D8/33,
D8/34, 38, 39-43, 18; D10/46.2
CPC . A47J 31/407; B67B 7/14; B67B 7/16; B67B
7/18; B67B 7/20; B67B 7/24; B65D
41/04; B65D 55/16; B65D 81/3211;
B65D 85/804; B65D 2501/24917
See application file for complete search history.

OTHER PUBLICATIONS

Geek Buying. Red Wine Vacuum Bottle Stopper Sealing Plug—
Blue. Feb. 4, 2016 [earliest online date], [site visited Oct. 10, 2017].
Available from Internet, <URL:https://www.geekbuying.com/item/
Red-Wine-Vacuum-Bottle-Stopper-Sealing-Plug----Blue-358080.
html>. (Year: 2016).*

(Continued)

Primary Examiner — Eric L Goodman
Assistant Examiner — Darcey E Heflin
(74) *Attorney, Agent, or Firm* — Adam C. Underwood

(57) **CLAIM**

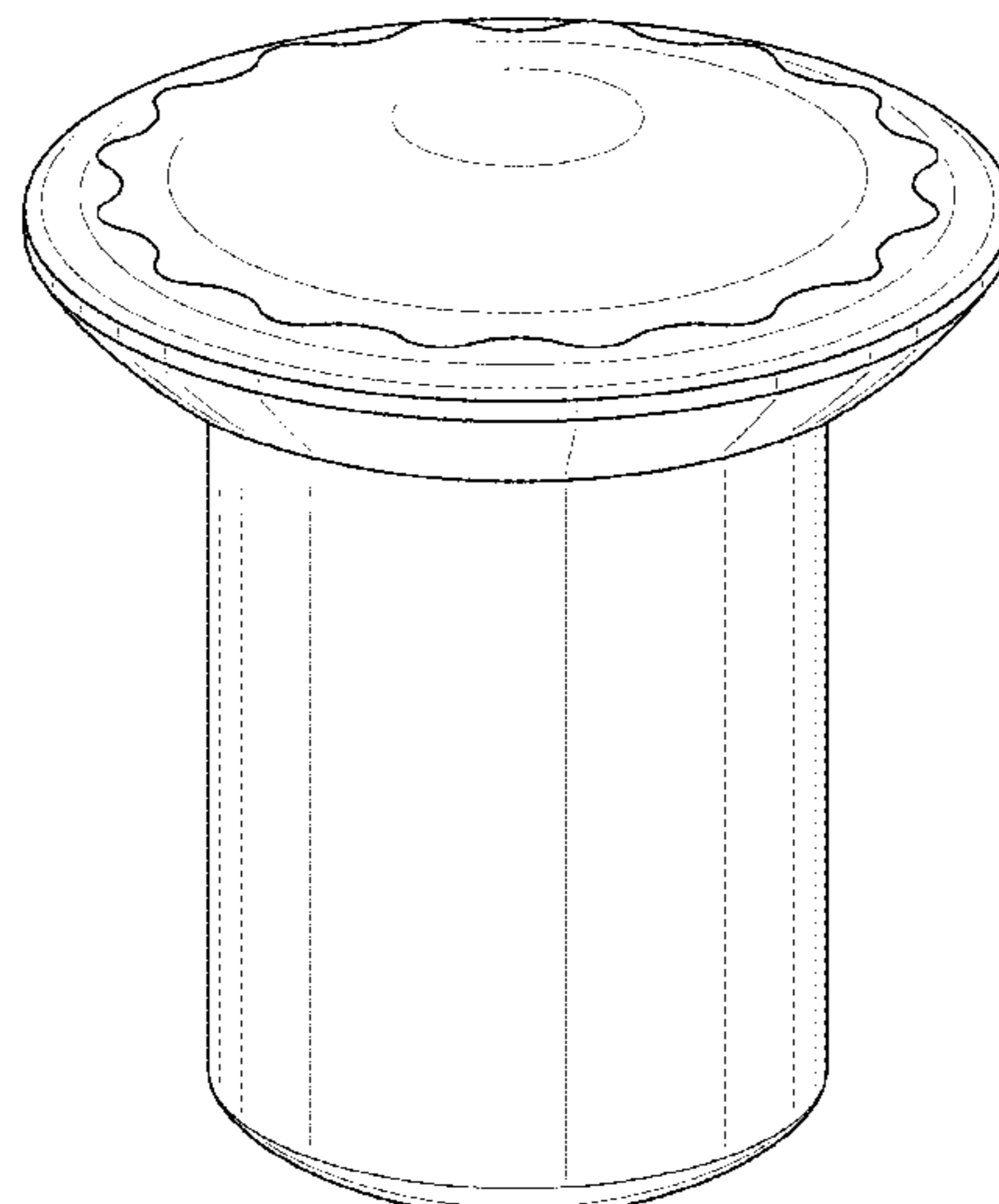
The ornamental design for a bottle cap opener, as shown and
described.

DESCRIPTION

FIG. 1 is a front perspective view of a bottle cap opener
according to our new design;
FIG. 2 is a front view thereof;
FIG. 3 is a rear view thereof;
FIG. 4 is a left side view thereof;
FIG. 5 is a right side view thereof;
FIG. 6 is a top view thereof; and,
FIG. 7 is a bottom view thereof.
In the drawings, the broken lines showing portions of a
bottle cap opener depict environment and form no part of the
claim.

(56) **References Cited**
U.S. PATENT DOCUMENTS
2,955,722 A 10/1960 Antonious
3,919,901 A 11/1975 Braman
D249,452 S 9/1978 Gendron
D259,886 S 7/1981 Yates
D278,406 S 4/1985 Koziol
D320,916 S 10/1991 Riddle
D334,326 S 3/1993 Detling
D359,683 S * 6/1995 Beach D9/434
D367,413 S 2/1996 Ballin
D381,881 S 8/1997 Shaul
D426,439 S 6/2000 Hames
D428,567 S 7/2000 Harris

1 Claim, 5 Drawing Sheets



(56)

References Cited

U.S. PATENT DOCUMENTS

D686,476	S	7/2013	Mohr	
D686,496	S *	7/2013	Strauli	D9/434
D717,648	S *	11/2014	Firestone	D9/439
D720,241	S *	12/2014	Logue	D10/46.2
D720,631	S *	1/2015	Logue	D10/46.2
D729,063	S *	5/2015	Koop	D9/439
D763,685	S *	8/2016	Arriaga	D9/436
D768,489	S *	10/2016	Indruk	D9/447
D795,063	S *	8/2017	Arriaga	D9/436

OTHER PUBLICATIONS

Dupont. Creating Tight wine Closures that Leave No Aftertaste. 2017 [earliest date], [site visited Oct. 10, 2017]. Available from Internet, <URL:<http://www.dupont.com/products-and-services/packaging-materials-solutions/food-packaging-materials/case-studies/tight-wine-closures-leave-no-aftertaste.html>>. (Year: 2017).*

* cited by examiner

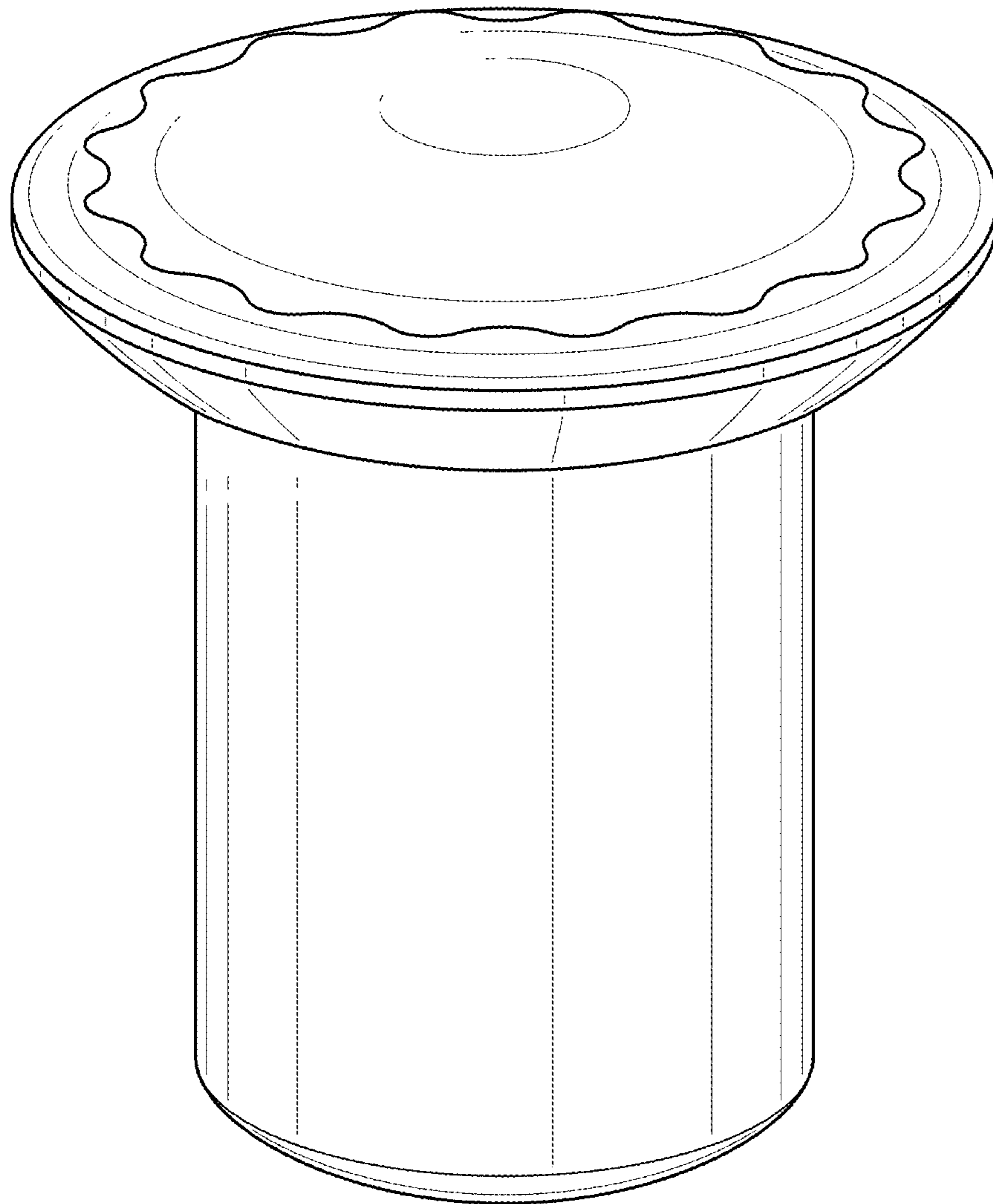


FIG. 1

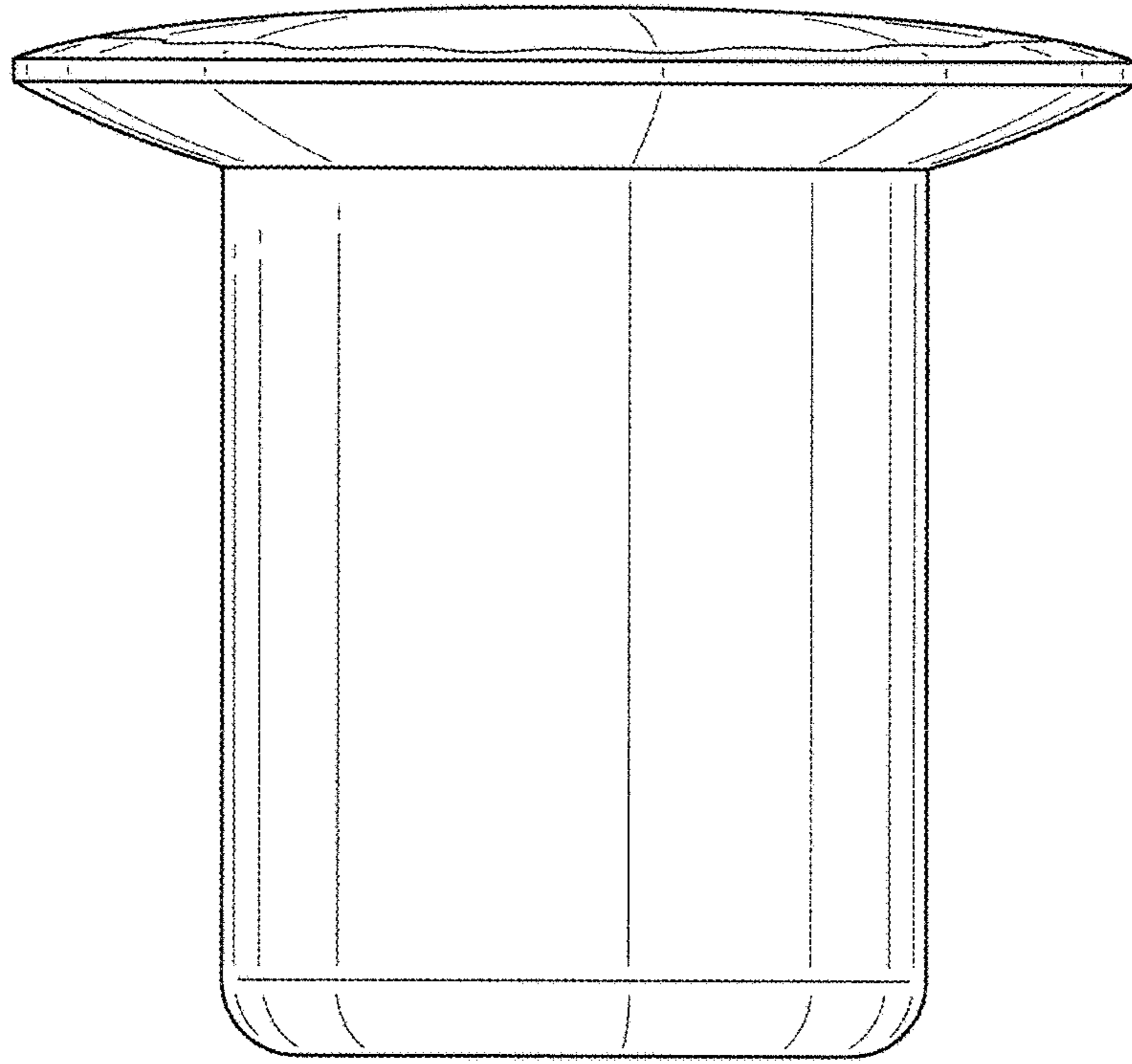


FIG. 2

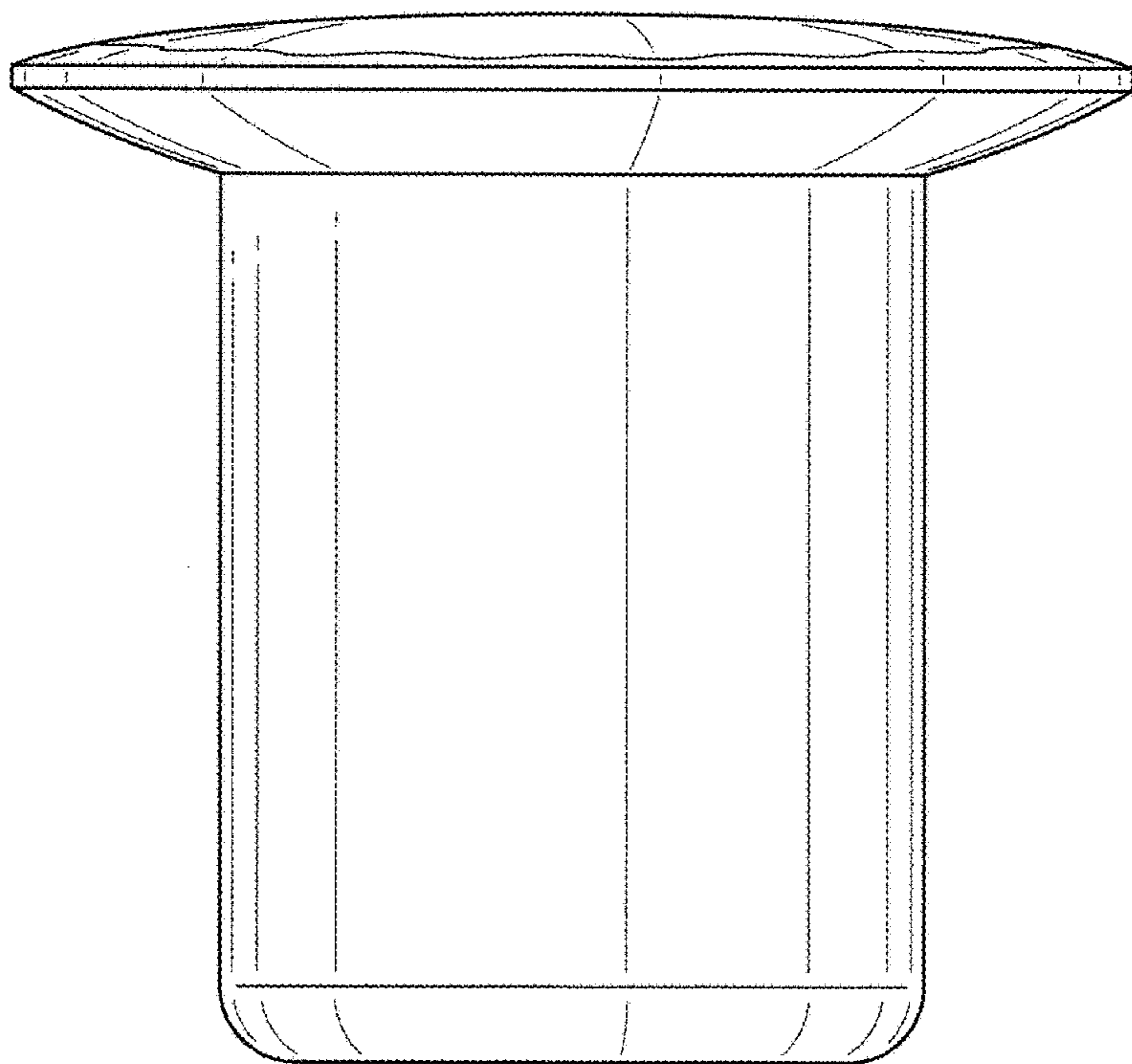


FIG. 3

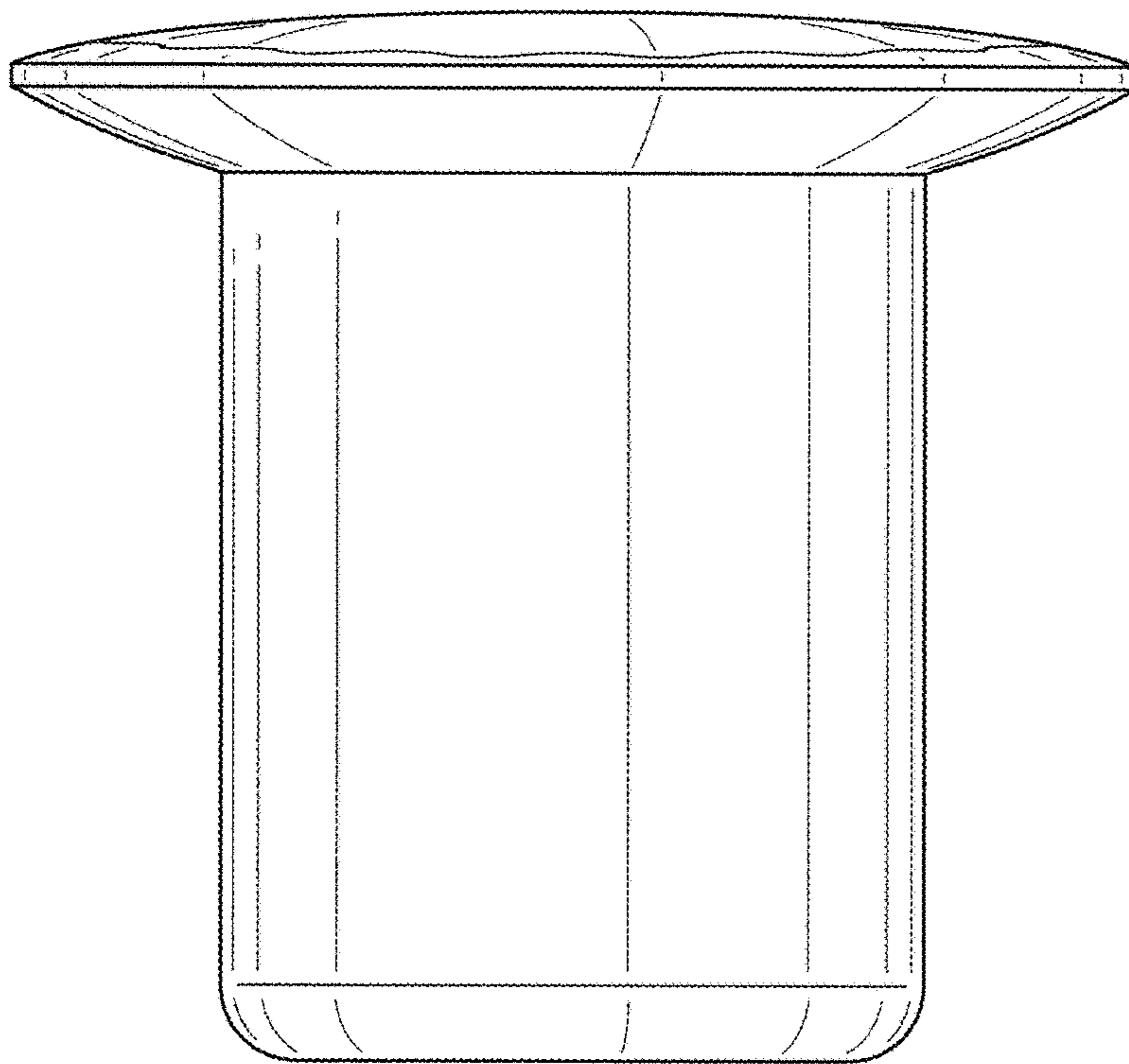


FIG. 4

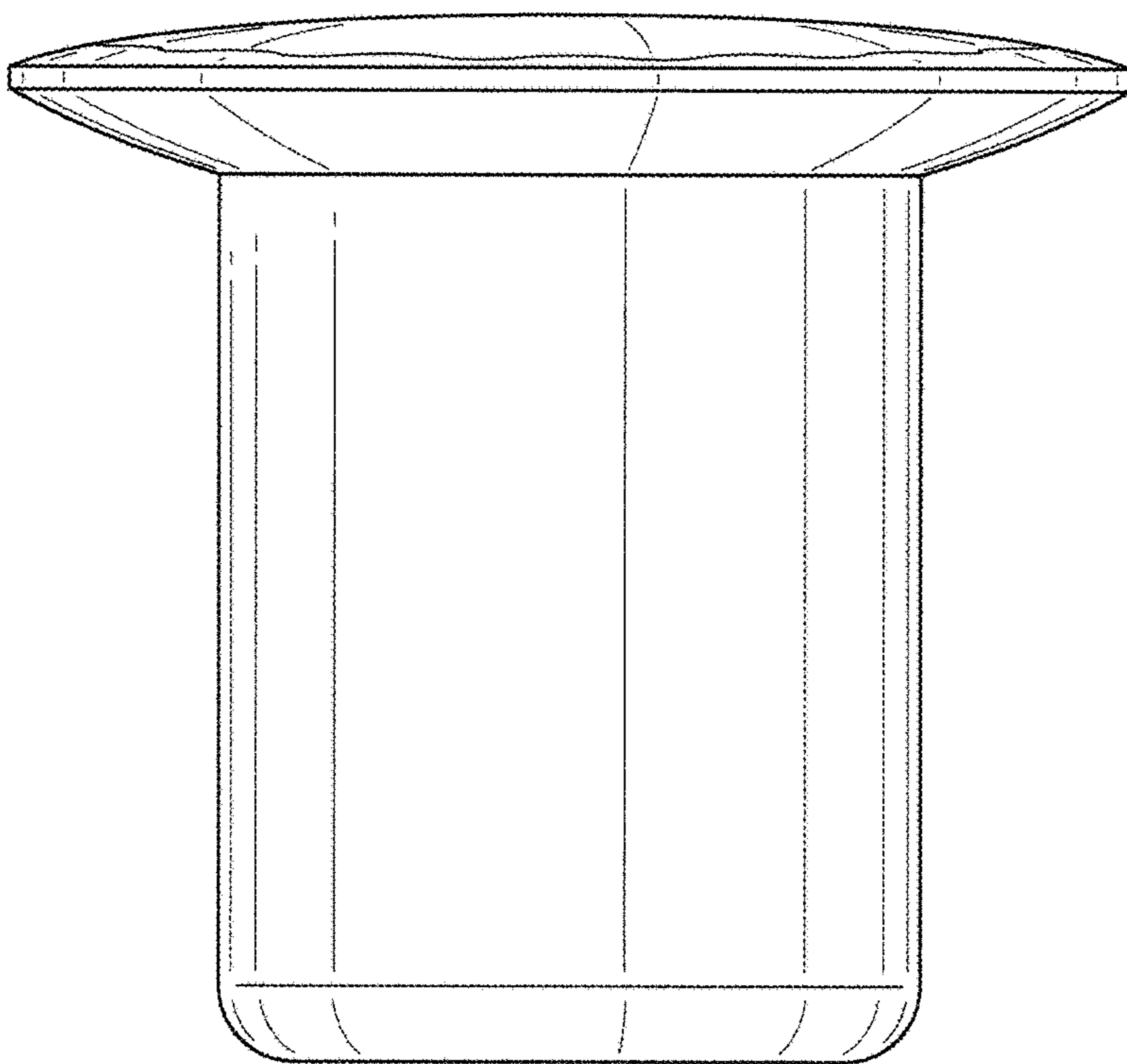


FIG. 5

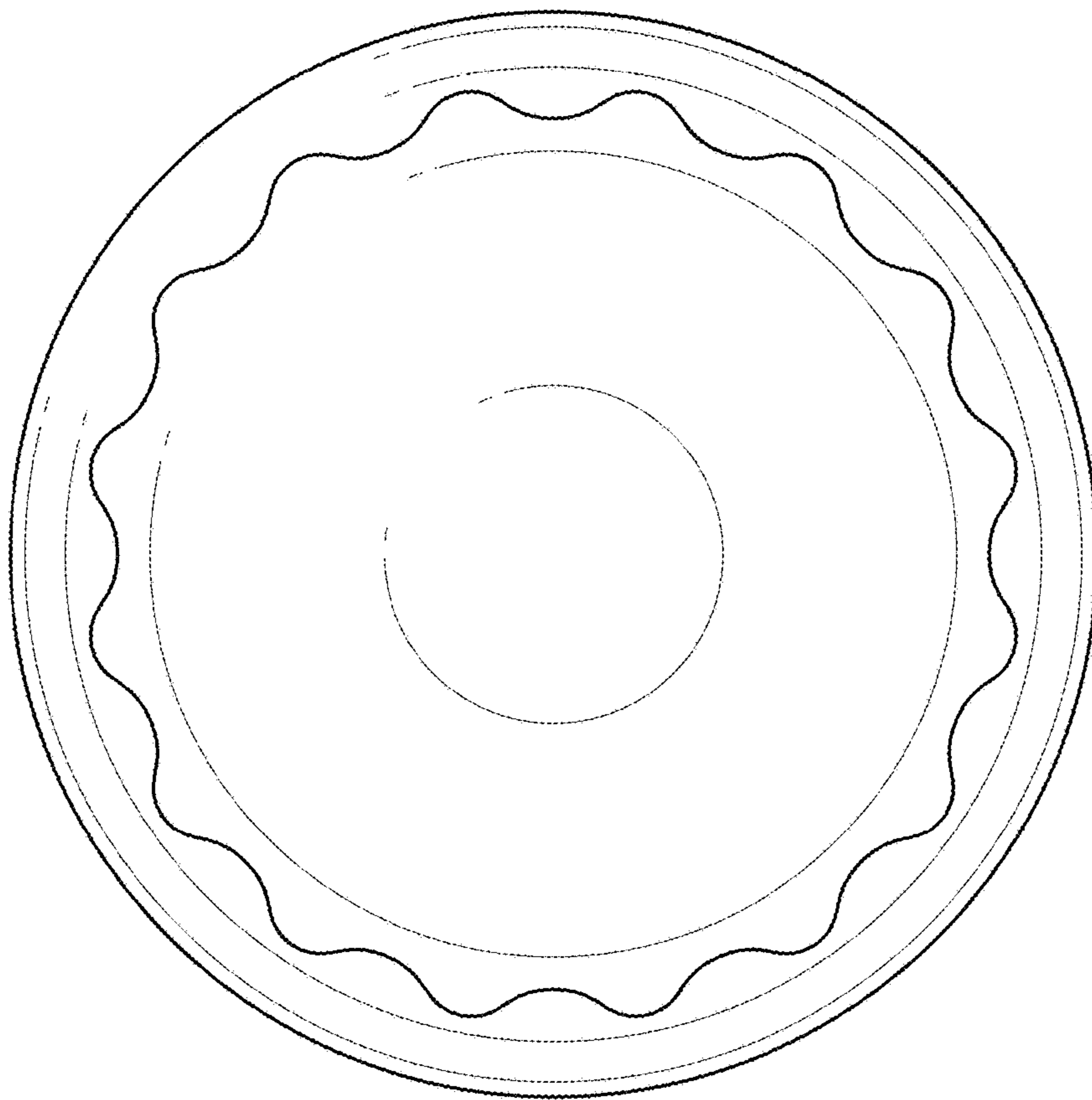


FIG. 6

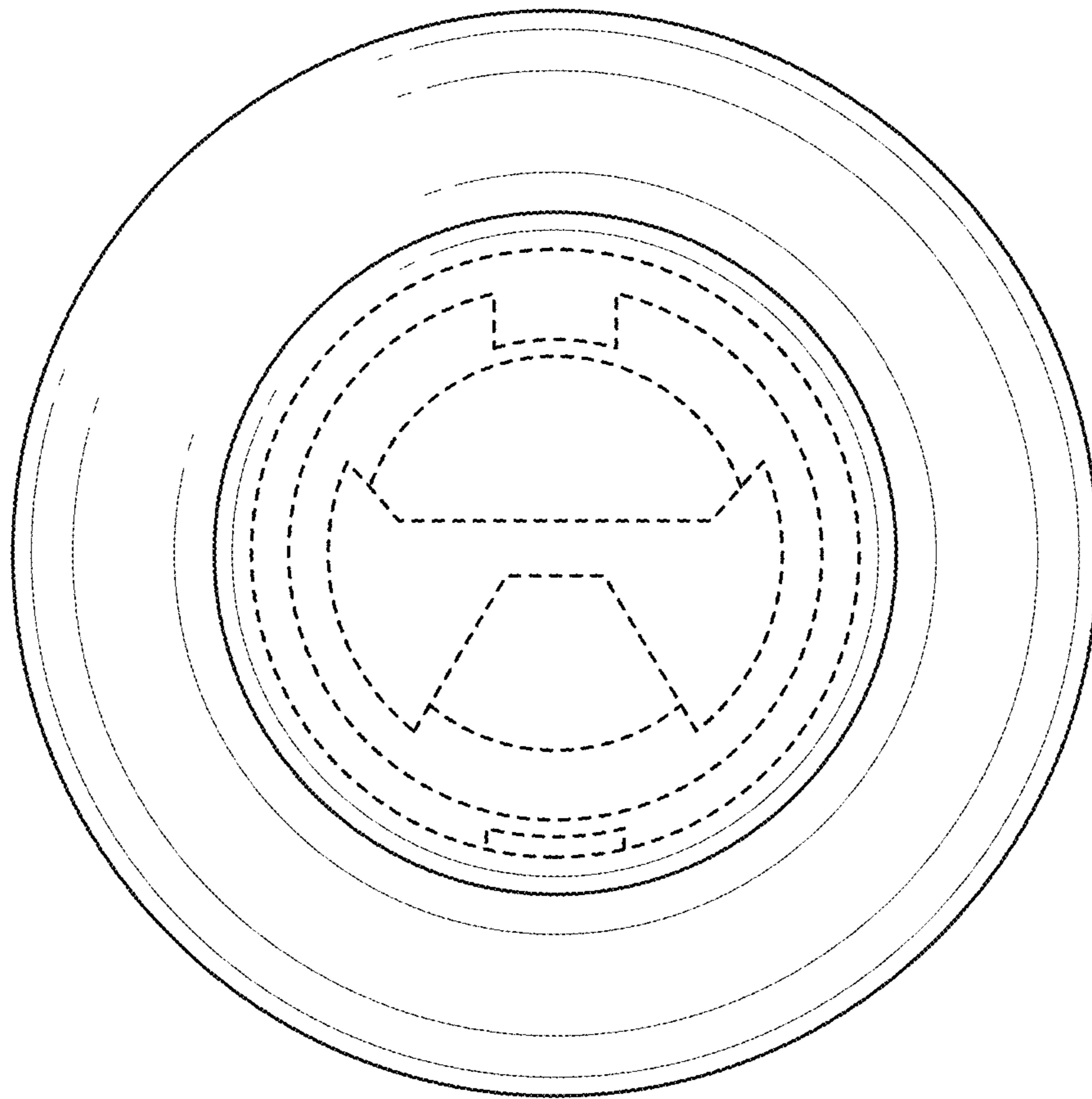


FIG. 7