



US00D830798S

(12) **United States Design Patent** (10) **Patent No.:** **US D830,798 S**
Tinius (45) **Date of Patent:** **** Oct. 16, 2018**

(54) **BATTERY POWERED TRIMMER**
(71) Applicant: **Andreas Stihl AG & Co. KG**,
Waiblingen (DE)
(72) Inventor: **Michael Tinius**, Ulm (DE)
(73) Assignee: **Andreas Stihl AG & Co. KG**,
Waiblingen (DE)

4,654,970 A 4/1987 Nagashima
4,662,071 A 5/1987 Hoppner et al.
H378 H 12/1987 Matsumoto
4,819,332 A 4/1989 Sugihara et al.
4,916,886 A 4/1990 Nakamura et al.
4,932,126 A 6/1990 Pilatowicz et al.
5,027,591 A 7/1991 Nakamura et al.
D321,816 S 11/1991 Fushiya et al.
5,070,618 A 12/1991 Edlund

(Continued)

(**) Term: **15 Years**
(21) Appl. No.: **29/586,356**

(22) Filed: **Dec. 2, 2016**

(30) **Foreign Application Priority Data**

Jun. 3, 2016 (EM) 003170364-0002

(51) **LOC (11) Cl.** **08-01**

(52) **U.S. Cl.**
USPC **D8/8**

(58) **Field of Classification Search**
USPC D8/1, 7, 8, 9, 499; D15/1, 17
CPC .. A01D 34/01; A01D 34/416; A01D 34/4161;
A01D 34/84; A01D 34/90; A01G 3/062;
A01G 3/067

See application file for complete search history.

(56) **References Cited**

U.S. PATENT DOCUMENTS

774,142 A 11/1904 Brick
2,542,665 A 2/1951 Gustafson
3,137,116 A 6/1964 Besser et al.
3,174,269 A 3/1965 Londo
3,650,099 A 3/1972 Sitter
3,696,597 A 10/1972 Sitter
D252,130 S 6/1979 Hoff
4,197,640 A 4/1980 Murray
D256,014 S 7/1980 Noga
4,534,005 A 8/1985 Nagashima et al.
4,630,372 A 12/1986 Nagashima

FOREIGN PATENT DOCUMENTS

DE 102010013756 10/2011

Primary Examiner — Sandra S Snapp

Assistant Examiner — Ieisha N Price

(74) *Attorney, Agent, or Firm* — McGuireWoods LLP

(57) **CLAIM**

I claim the ornamental design for a battery powered trimmer, as shown and described.

DESCRIPTION

FIG. 1 is a left perspective view of the battery powered trimmer;

FIG. 2 is a front view of the battery powered trimmer shown in FIG. 1;

FIG. 3 is a rear view of the battery powered trimmer shown in FIG. 1;

FIG. 4 is a right side view of the battery powered trimmer shown in FIG. 1;

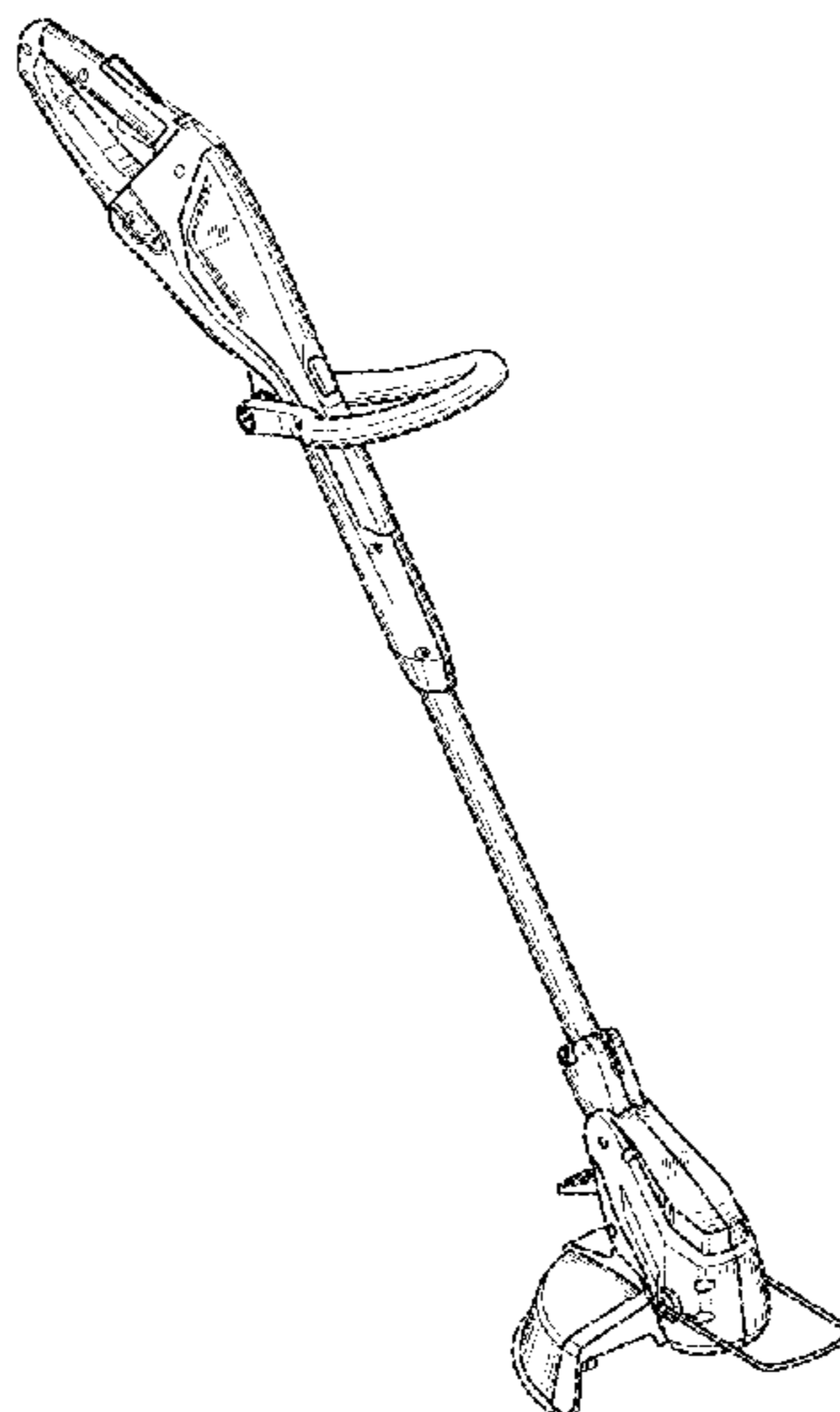
FIG. 5 is a left side view of the battery powered trimmer shown in FIG. 1;

FIG. 6 is a top view of the battery powered trimmer shown in FIG. 1; and,

FIG. 7 is a bottom view of the battery powered trimmer shown in FIG. 1.

The subject matter shown in dashed lines, and any surfaces of the design not shown, including interior surfaces, form no part of the claimed invention.

1 Claim, 7 Drawing Sheets



(56)

References Cited

U.S. PATENT DOCUMENTS

D324,051 S	2/1992	Tuggle et al.		D566,491 S	4/2008	Martin et al.	
5,261,162 A	11/1993	Siegler		D566,493 S	4/2008	Wang	
D342,875 S	1/1994	Franke et al.		7,395,601 B2	7/2008	Berfield	
D343,777 S	2/1994	Vossoughi et al.		D578,842 S	10/2008	Houghton	
D347,772 S	6/1994	Kiyooka et al.		D580,237 S	11/2008	Bradford	
D351,096 S	10/1994	Gierke		D580,238 S	11/2008	Murray	
D355,198 S	2/1995	Kikuchi		D580,239 S	11/2008	Murray	
D355,817 S	2/1995	Nakadachi		D580,240 S	11/2008	Murray	
D355,818 S	2/1995	Nakadachi		D580,719 S	12/2008	Baxter	
D356,013 S	3/1995	Kiyooka et al.		D582,224 S	12/2008	Bochmann et al.	
D358,308 S	5/1995	Griffin		D582,225 S	12/2008	Bochmann	
D360,341 S	7/1995	Hirooka et al.		D582,736 S	12/2008	Ghiradi	
D361,251 S	8/1995	Griffin		7,493,696 B2	2/2009	Suzuki et al.	
D361,336 S	8/1995	Tinius		7,520,061 B2	4/2009	Herzog et al.	
D361,702 S	8/1995	Kidwell et al.		D596,000 S	7/2009	Klingbeil	
D364,326 S	11/1995	Lohse et al.		D600,515 S	9/2009	Tinius	
5,485,814 A	1/1996	Tuggle et al.		D600,516 S	9/2009	Tinius	
D335,674 S	5/1996	Hoshino		D600,517 S	9/2009	Tinius	
5,540,291 A	7/1996	Coleman		D605,910 S	12/2009	Tinius	
D372,407 S	8/1996	Haneda et al.		D606,829 S	12/2009	Tinius	
5,570,512 A	11/1996	Hoppner		D609,066 S	2/2010	Tinius	
D377,441 S	1/1997	Hoppner et al.		D609,067 S	2/2010	Tinius	
D378,184 S	2/1997	Naslund et al.		D623,487 S	9/2010	Tinius	
5,644,844 A *	7/1997	Pink	A01D 34/90	D624,371 S	9/2010	Tinius	
			16/422	D624,372 S	9/2010	Misaki	
			D8/8	D625,159 S	10/2010	Tinius	
D382,450 S *	8/1997	Meisner	D8/8	D625,160 S	10/2010	Misaki	
D386,958 S	12/1997	Karlsson et al.		D625,972 S *	10/2010	Sweeney	D8/8
5,800,571 A	9/1998	Carlson et al.		7,992,308 B1	8/2011	Fisher	
5,855,069 A	1/1999	Natsubayashi et al.		D648,194 S	11/2011	Tinius	
D412,652 S	8/1999	Durr et al.		8,098,036 B2	1/2012	Matsunaga et al.	
5,979,064 A	11/1999	Kitz et al.		D656,370 S	3/2012	Tinius	
5,987,756 A *	11/1999	Yates	A01D 34/416	D656,371 S *	3/2012	Sweeney	D8/8
			30/276	8,127,455 B2	3/2012	Wenckel et al.	
				8,136,254 B2	3/2012	Gieske et al.	
5,992,025 A	11/1999	Fricke		D663,594 S *	7/2012	Yamamoto	D8/8
6,016,604 A	1/2000	Wolf et al.		D668,517 S	10/2012	Landberg	
6,065,214 A	5/2000	Nagashima		D668,518 S	10/2012	Landberg	
D427,862 S	7/2000	Yamane et al.		D670,144 S	11/2012	Tinius	
6,082,087 A	7/2000	Tada et al.		D672,624 S	12/2012	Naas	
6,125,547 A	10/2000	Nagashima		D675,074 S	1/2013	Baxter	
6,295,953 B1	10/2001	Ohsawa et al.		8,350,512 B2	1/2013	Matsunaga et al.	
D457,925 S	5/2002	Grafton		D690,569 S	10/2013	Tinius	
D460,667 S	7/2002	Waldron		D691,865 S	10/2013	Wang	
D462,882 S	9/2002	Evans		D692,287 S	10/2013	Tinius	
D463,228 S	9/2002	Cooper		8,549,758 B2	10/2013	Ito et al.	
D463,229 S	9/2002	Gabriel		8,573,323 B2	11/2013	Muller et al.	
D466,699 S	12/2002	Vaes		D702,630 S	4/2014	Tinius	
D468,600 S	1/2003	Evans		D709,743 S	7/2014	Tinius	
6,508,004 B2	1/2003	Tezuka et al.		D711,203 S	8/2014	Tinius	
D473,116 S	4/2003	Jong		D712,215 S	9/2014	Tajik	
D474,947 S	5/2003	Holmdahl et al.		D716,621 S *	11/2014	Tate	D8/8
6,637,117 B2	10/2003	Kobayashi		D720,582 S	1/2015	Tinius	
D482,942 S	12/2003	Ohi et al.		D731,267 S *	6/2015	Shen	D8/8
D483,236 S *	12/2003	Martin	D8/8	D731,268 S	6/2015	Aglassinger	
D487,216 S	3/2004	Arvidsson		D732,358 S	6/2015	Tinius	
6,701,623 B2	3/2004	Sanders		D758,150 S	6/2016	Tinius	
6,735,873 B2	5/2004	Langhans et al.		D758,151 S	6/2016	Tinius	
6,810,967 B1	11/2004	Phillips		2002/0124837 A1	9/2002	Maier et al.	
6,871,484 B1 *	3/2005	Sartain	A01D 34/416	2002/0129502 A1	9/2002	Durr et al.	
			30/276	2003/0051351 A1	3/2003	Buchholtz et al.	
D505,602 S	5/2005	Houghton		2003/0183187 A1	10/2003	Menzel et al.	
D505,844 S	6/2005	Houghton		2004/0103857 A1	6/2004	Kruse	
D506,653 S	6/2005	Elsworthy		2004/0128839 A1 *	7/2004	Shaffer	A01D 34/416
6,918,451 B2	7/2005	Nagashima et al.					30/276
D510,512 S	10/2005	Robson		2005/0050867 A1	3/2005	Taomo et al.	
6,973,726 B2	12/2005	Kramer		2006/0112683 A1	6/2006	Huber	
D519,336 S	4/2006	Ono et al.		2007/0101581 A1	5/2007	Carls	
D522,818 S	6/2006	Andriolo		2007/0180705 A1	8/2007	Chiu	
D530,163 S	10/2006	Xue-feng et al.		2010/0313430 A1	12/2010	Yamaoka	
7,168,132 B2	1/2007	Durr et al.		2011/0241457 A1	10/2011	Muller	
D543,805 S	6/2007	Houghton		2012/0227270 A1	9/2012	Ito	
D548,029 S *	8/2007	Evans	D8/8	2013/0047802 A1	2/2013	Vierck	
D551,921 S	10/2007	Houghton		2014/0182143 A1	7/2014	Morita	
D560,983 S	2/2008	Tinius		2014/0208597 A1	7/2014	Zhou	
D563,740 S	3/2008	Andriolo					
D563,747 S	3/2008	Tinius					

(56)

References Cited

U.S. PATENT DOCUMENTS

2014/0259692 A1 9/2014 Racov
2015/0034349 A1* 2/2015 Proudlock A01D 34/90
173/176
2017/0231153 A1* 8/2017 Hoffman A01D 34/416
30/276

* cited by examiner

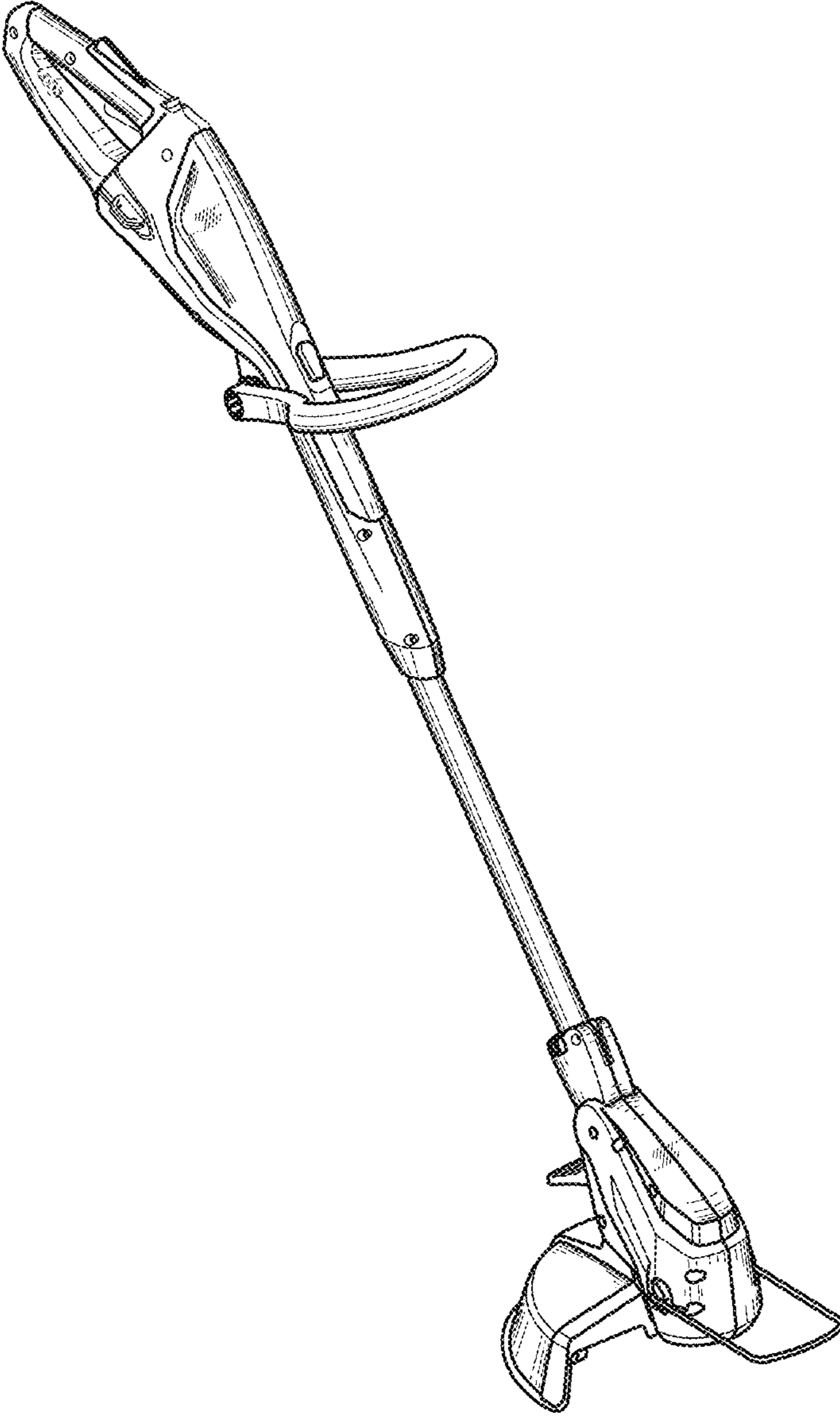


FIG. 1

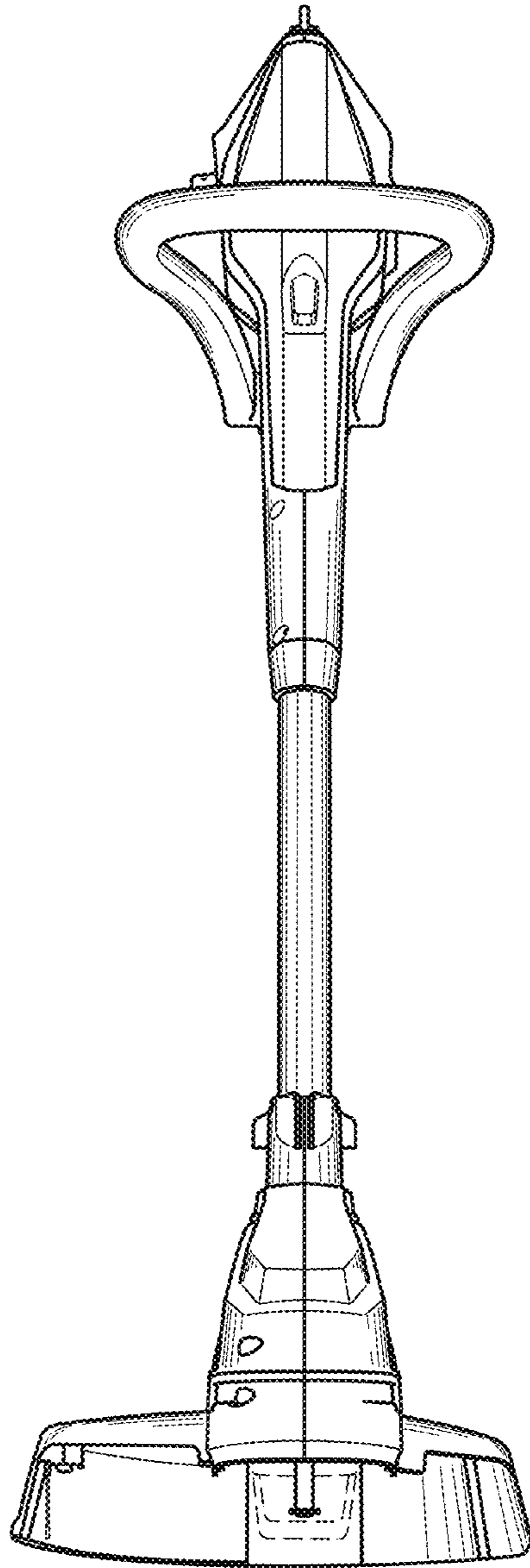


FIG. 2

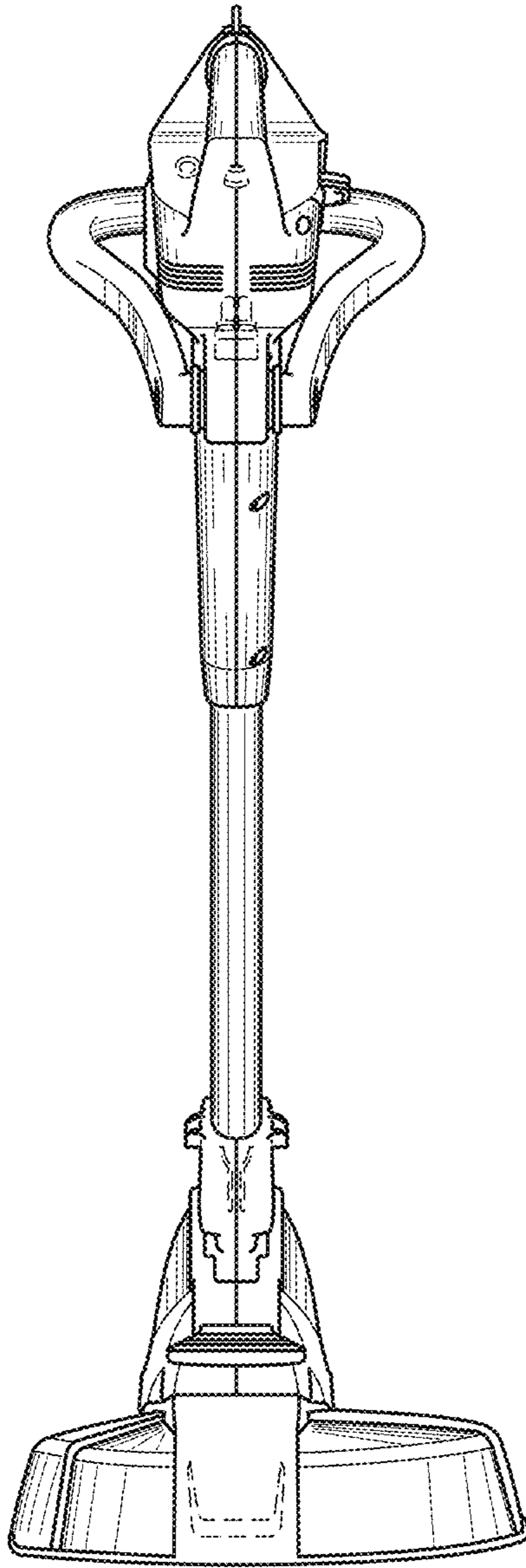


FIG. 3

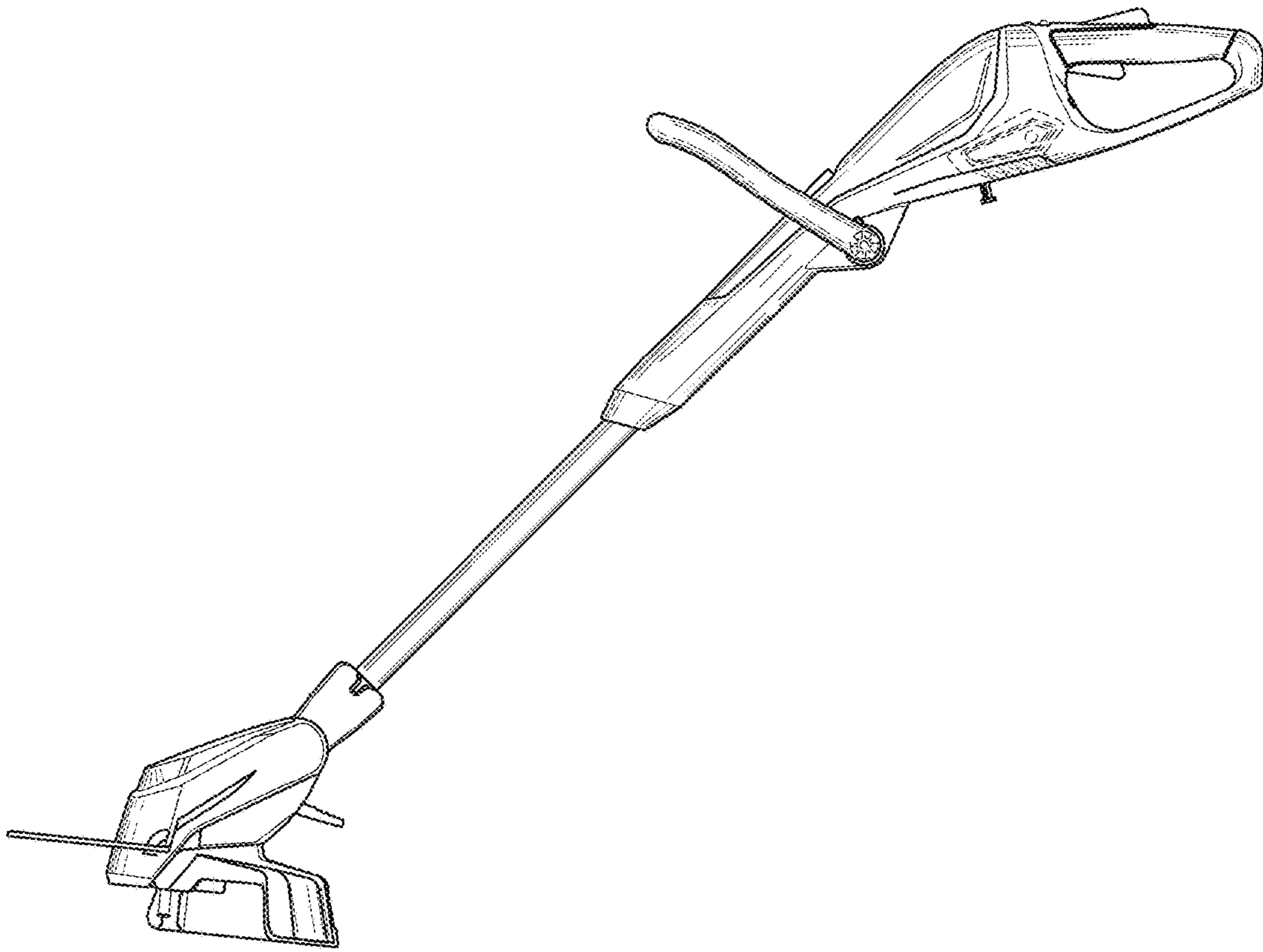


FIG. 4

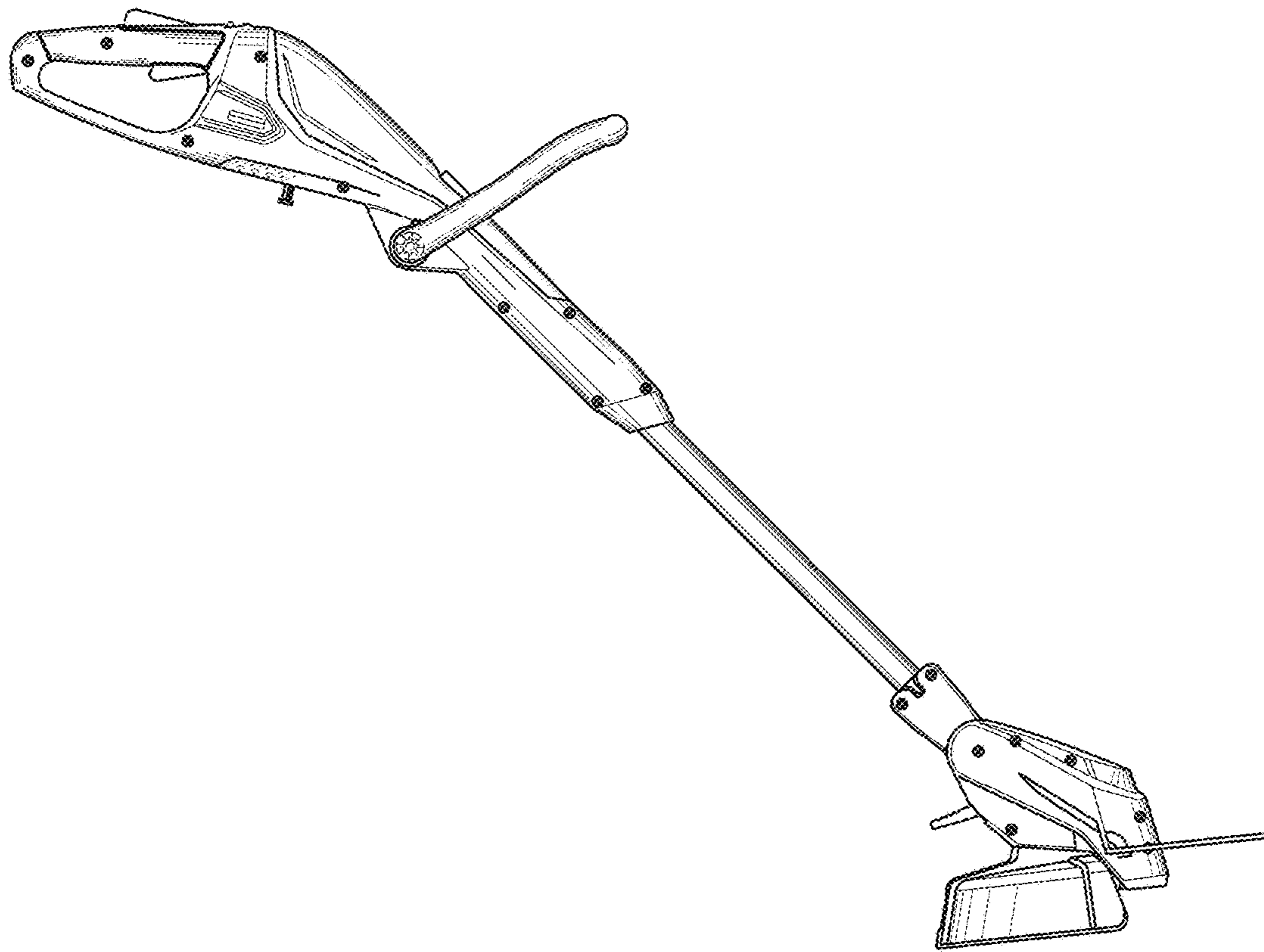


FIG. 5

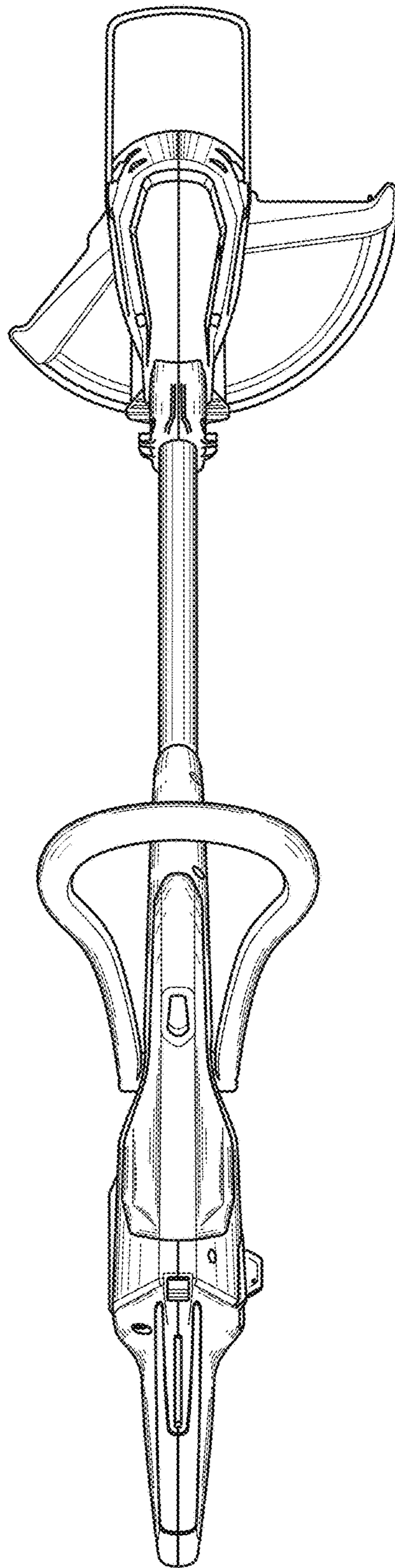


FIG. 6

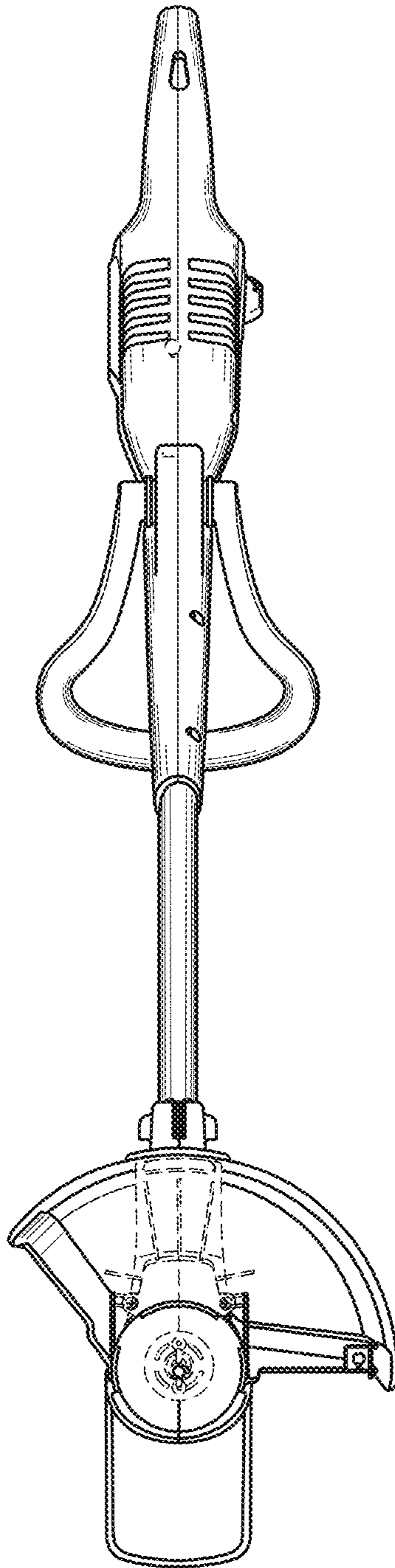


FIG. 7