



US00D830797S

(12) **United States Design Patent**
Zhang

(10) **Patent No.:** **US D830,797 S**

(45) **Date of Patent:** **** Oct. 16, 2018**

(54) **SHEARS**

(71) Applicant: **Ruqian Zhang**, Xiaoshan Hangzhou (CN)

(72) Inventor: **Ruqian Zhang**, Xiaoshan Hangzhou (CN)

(**) Term: **15 Years**

(21) Appl. No.: **29/603,217**

(22) Filed: **May 8, 2017**

(51) **LOC (11) Cl.** **08-01**

(52) **U.S. Cl.**
USPC **D8/5**

(58) **Field of Classification Search**
USPC D8/1, 4, 5, 51, 52, 53, 54, 56, 58, 107;
D21/532

CPC B26B 13/00; B26B 13/06; B26B 13/08;
B26B 13/12; B26B 13/14; B26B 13/16;
B26B 13/20; B26B 13/26; B26B 13/28;
A01G 3/02; A01G 3/021; A01G 3/0475

See application file for complete search history.

(56) **References Cited**

U.S. PATENT DOCUMENTS

D238,650 S * 2/1976 Koblick D8/5
D239,080 S * 3/1976 Stevenson D8/5
D299,108 S * 12/1988 Brdnik D8/107
D353,523 S * 12/1994 Her D8/5
D431,761 S * 10/2000 Deville D8/5
D567,623 S * 4/2008 Lehmann D8/107

D689,356 S * 9/2013 Yang D8/107
D691,005 S * 10/2013 Wu D8/5
D730,707 S * 6/2015 Reedy D8/52
D732,915 S * 6/2015 Mandic D8/52
D768,450 S * 10/2016 Reedy D8/52
D793,195 S * 8/2017 Grass D22/149
2014/0360024 A1* 12/2014 Schneider B26B 13/28
30/252
2015/0128427 A1* 5/2015 Linn B26B 13/16
30/260
2015/0321364 A1* 11/2015 Tsai B26B 13/26
30/262
2017/0001319 A1* 1/2017 Wang A01G 3/02
2017/0113367 A1* 4/2017 Zinser B26B 13/26
2017/0197321 A1* 7/2017 Lee B26B 13/28

* cited by examiner

Primary Examiner — Sandra S Snapp

Assistant Examiner — Ieisha N Price

(74) *Attorney, Agent, or Firm* — Clement Cheng

(57) **CLAIM**

The ornamental design for shears, as shown and described.

DESCRIPTION

FIG. 1 is a rear, left perspective view of the top.

FIG. 2 is a top view.

FIG. 3 is a bottom view.

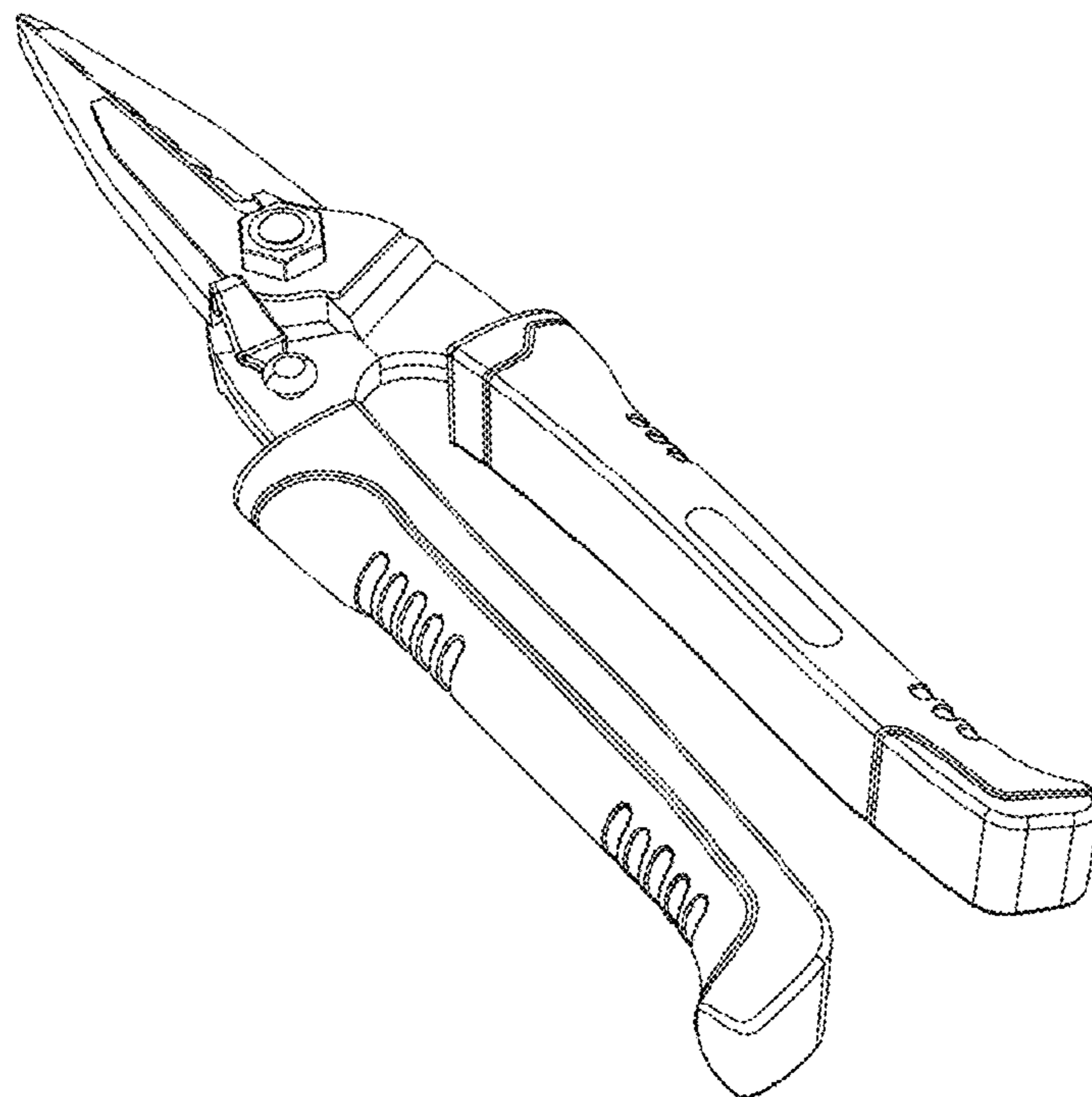
FIG. 4 is a left side view.

FIG. 5 is a right side view.

FIG. 6 is a rear view; and,

FIG. 7 is a front view.

1 Claim, 4 Drawing Sheets



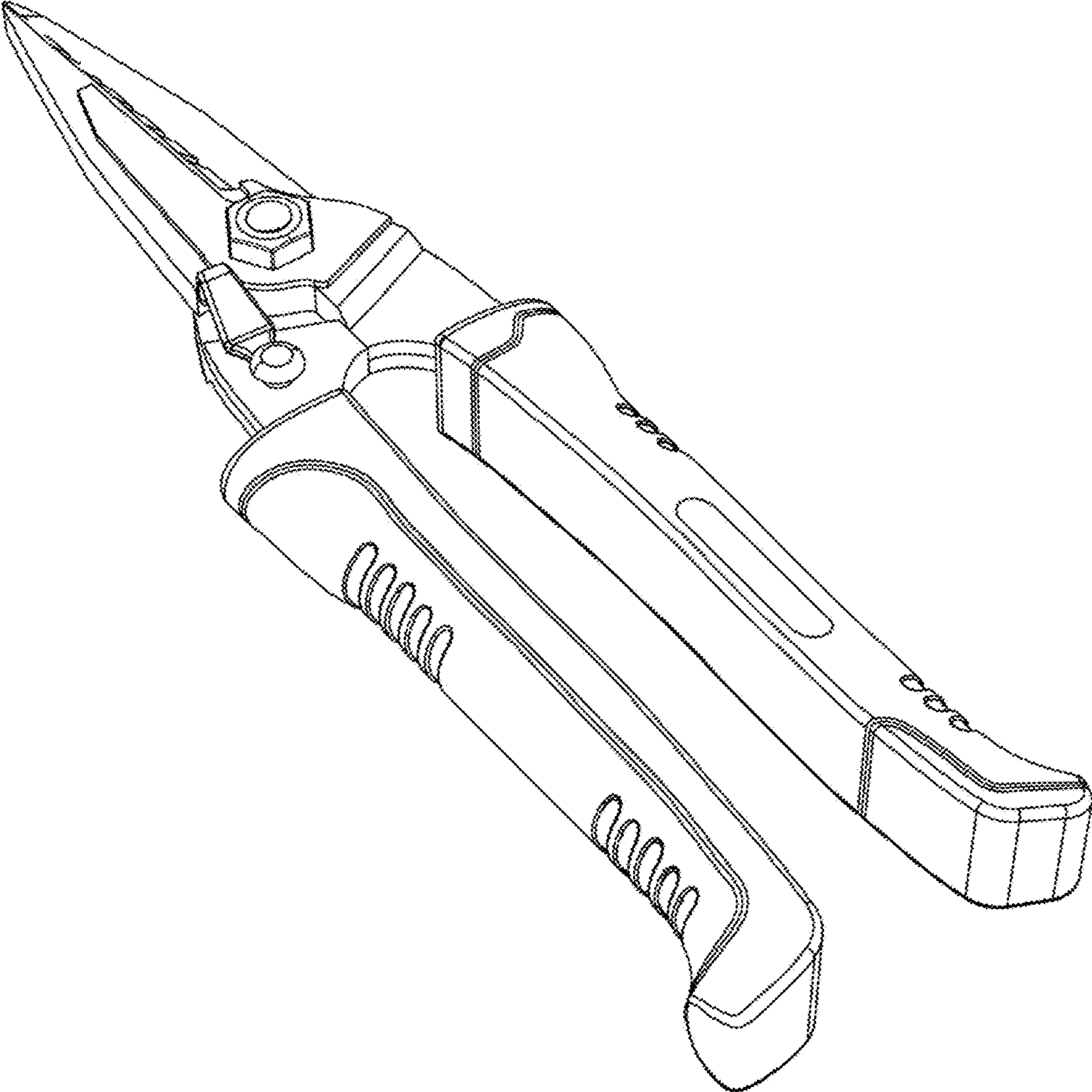


Fig. 1

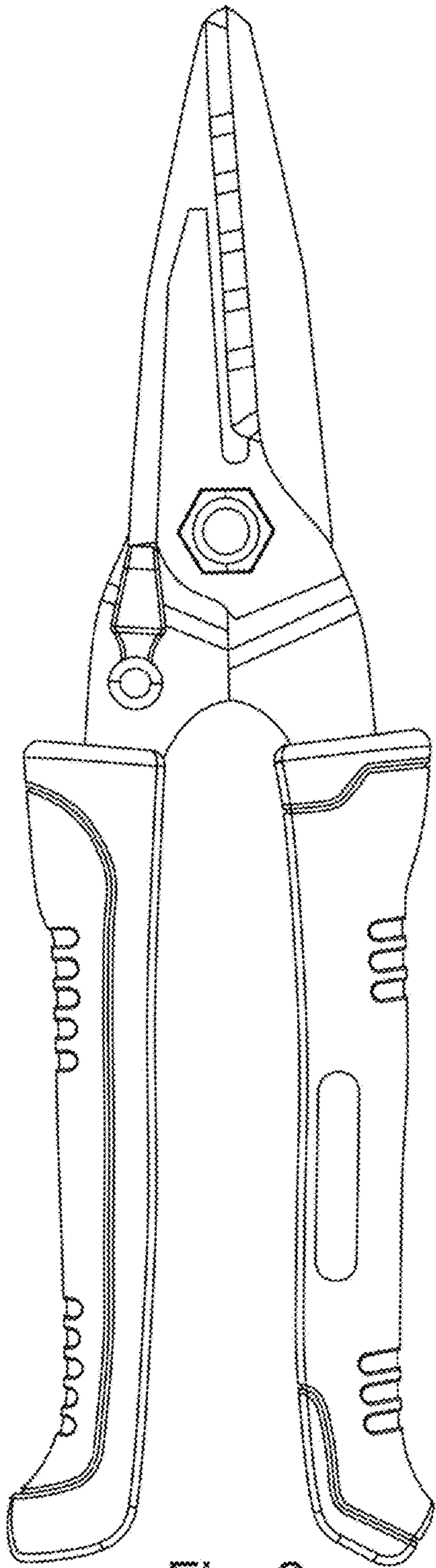


Fig. 2

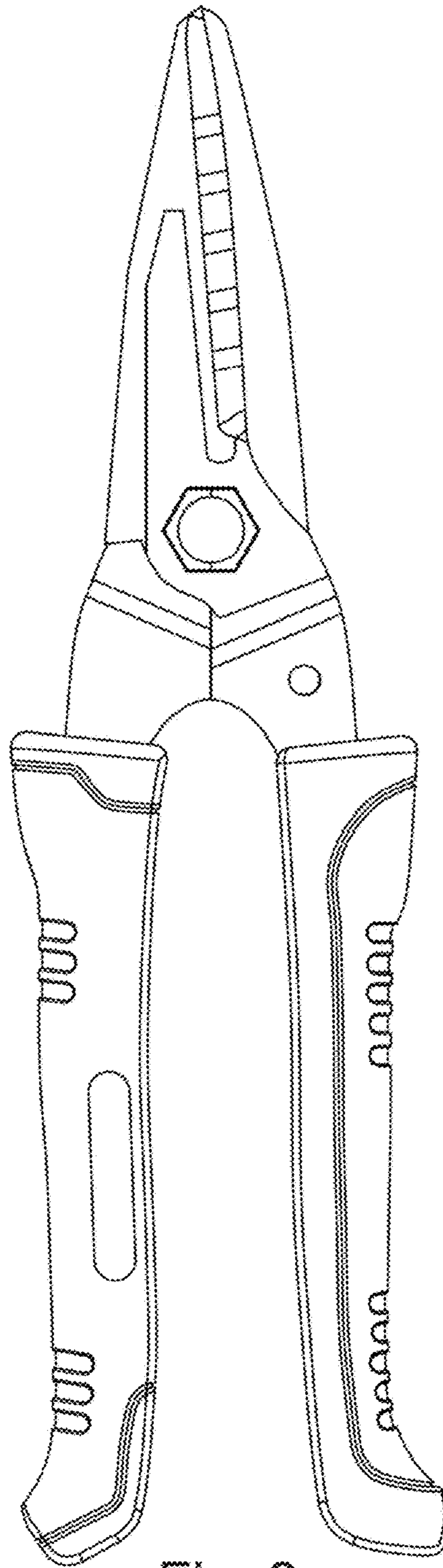


Fig. 3

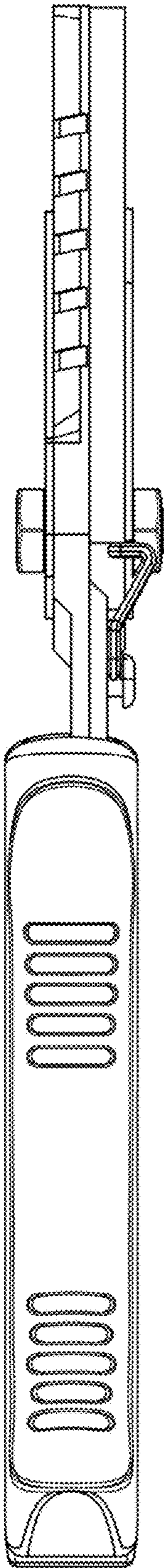


Fig. 4

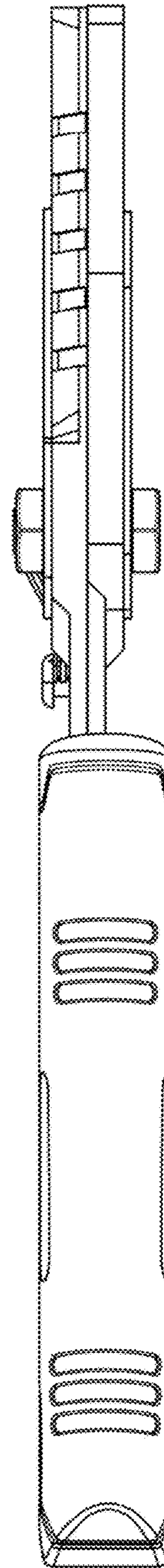


Fig. 5

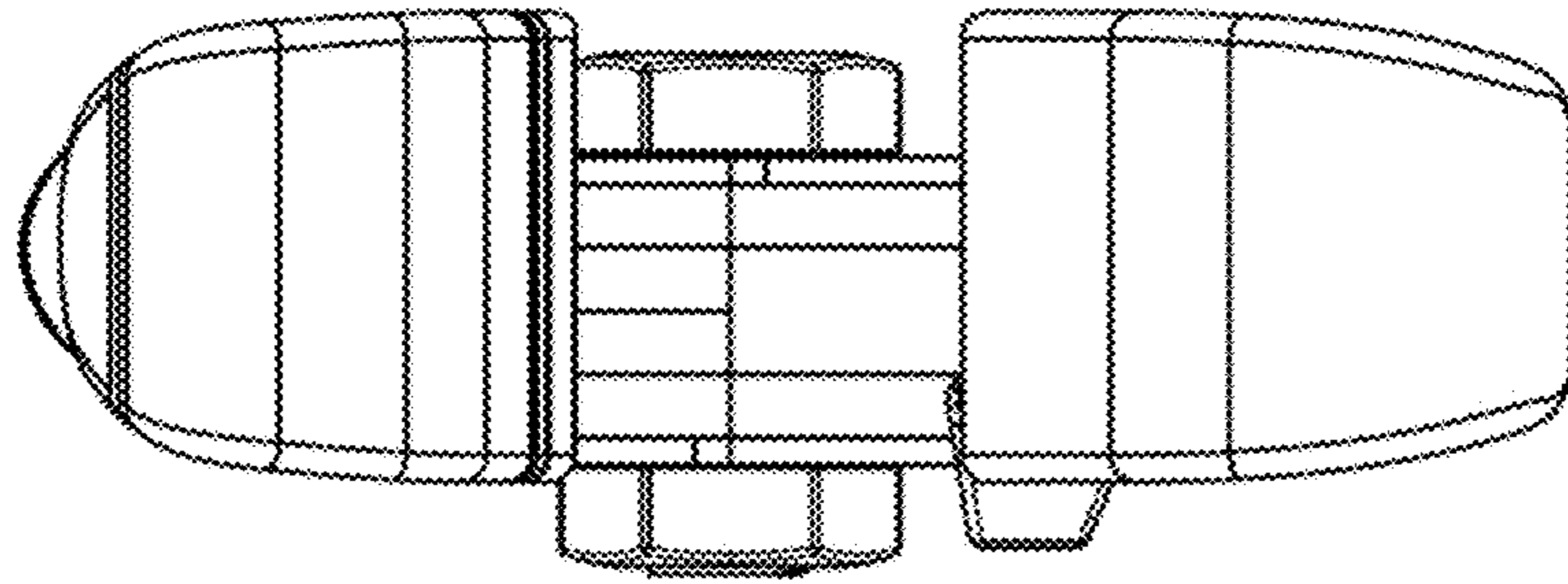


Fig. 6

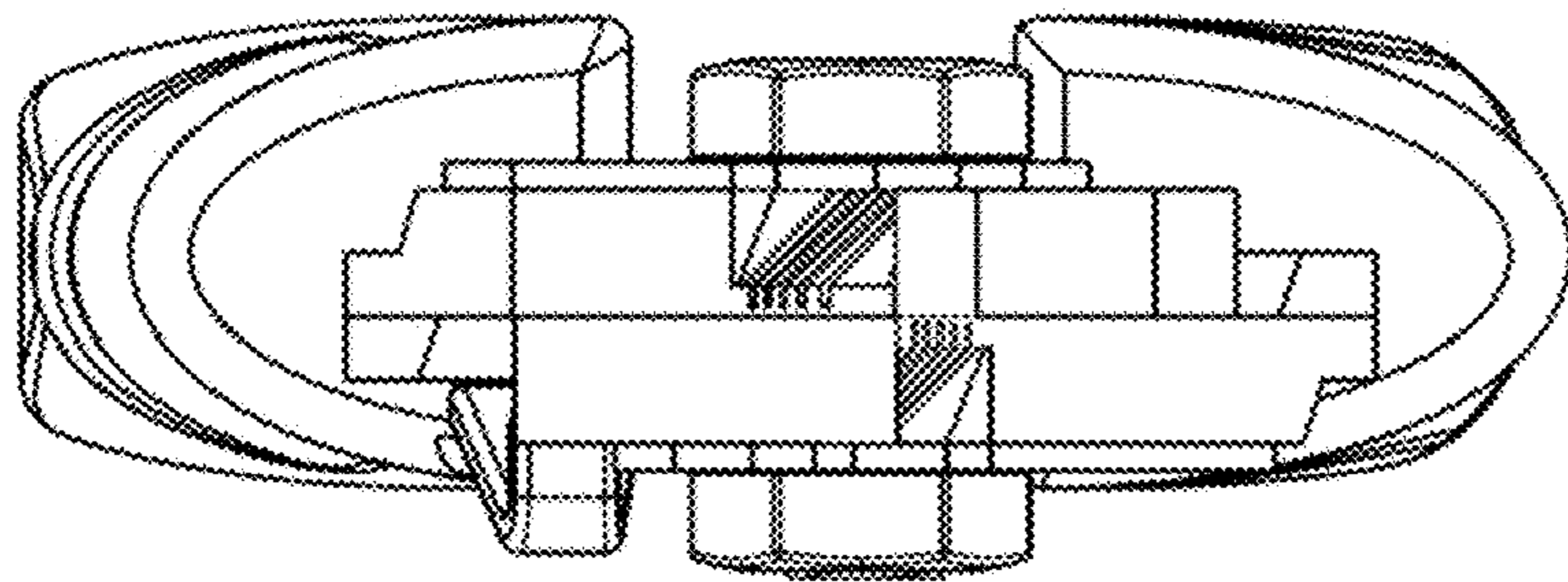


Fig. 7