



US00D830796S

(12) **United States Design Patent**
Chen

(10) **Patent No.:** **US D830,796 S**

(45) **Date of Patent:** **** Oct. 16, 2018**

(54) **LUNCH BOX**

(71) Applicant: **TAISHAN CHANGJIANG PLASTIC
PRODUCT CO., LTD**, Taishan (CN)

(72) Inventor: **Linzhao Chen**, Taishan (CN)

(73) Assignee: **TAISHAN CHANGJIANG PLASTIC
PRODUCT CO., LTD** (CN)

(**) Term: **15 Years**

(21) Appl. No.: **29/583,368**

(22) Filed: **Nov. 4, 2016**

(51) **LOC (11) Cl.** **07-07**

(52) **U.S. Cl.**

USPC **D7/703**

(58) **Field of Classification Search**

USPC D7/629, 630, 601, 602, 538-542, 612,
D7/608, 300, 312, 316, 323, 353, 900,
D7/387, 368, 388, 397, 402, 403, 412,
D7/500, 550.1, 552.1, 552.2, 553.1,
D7/553.2, 553.3, 554.4, 555, 703;
D9/424-432, 445, 500, 501, 503, 504,
D9/516, 549, 575, 415-419, 737, 761,
D9/760, 759, 756, 479, 478, 420, 421,
D9/430-433

CPC B65D 85/50; B65D 85/505; B65D 85/52;
B65D 43/02; B65D 1/26; B65D 43/0206;
B65D 43/0214; B65D 81/18; B65D
53/00; B65D 43/163; B65D 21/0219;
B65D 25/04; B65D 21/0233; B65D
25/18; A47J 47/01; A47J 42/14; A47J
42/34; A47J 42/50; A47J 47/02; A47J
47/08; A47J 47/10

See application file for complete search history.

(56) **References Cited**

U.S. PATENT DOCUMENTS

D250,870 S * 1/1979 Stahel D7/629
D260,604 S * 9/1981 Otto D7/541

D305,085 S * 12/1989 Otto D7/505
D375,259 S * 11/1996 Whitehead D9/420
D395,985 S * 7/1998 Krupa D7/541
D442,484 S * 5/2001 Maxwell D7/629
D451,018 S * 11/2001 Chen D9/425
D451,769 S * 12/2001 Stanos D7/629
D489,579 S * 5/2004 Wright D7/629
D494,857 S * 8/2004 Chen D9/424
D515,880 S * 2/2006 Lerner D7/629
D530,625 S * 10/2006 Darin D7/602
D552,487 S * 10/2007 Chou D9/428
D586,623 S * 2/2009 Dunn D7/541
D596,499 S * 7/2009 Willis D9/424
D606,812 S * 12/2009 Wu D7/629
D614,950 S * 5/2010 Colacitti D7/354
D655,988 S * 3/2012 Miros D7/629
D664,427 S * 7/2012 Chen D9/425
D665,674 S * 8/2012 Wu D7/629

(Continued)

Primary Examiner — Shannon W Morgan

(74) *Attorney, Agent, or Firm* — Schmeiser, Olsen &
Watts, LLP

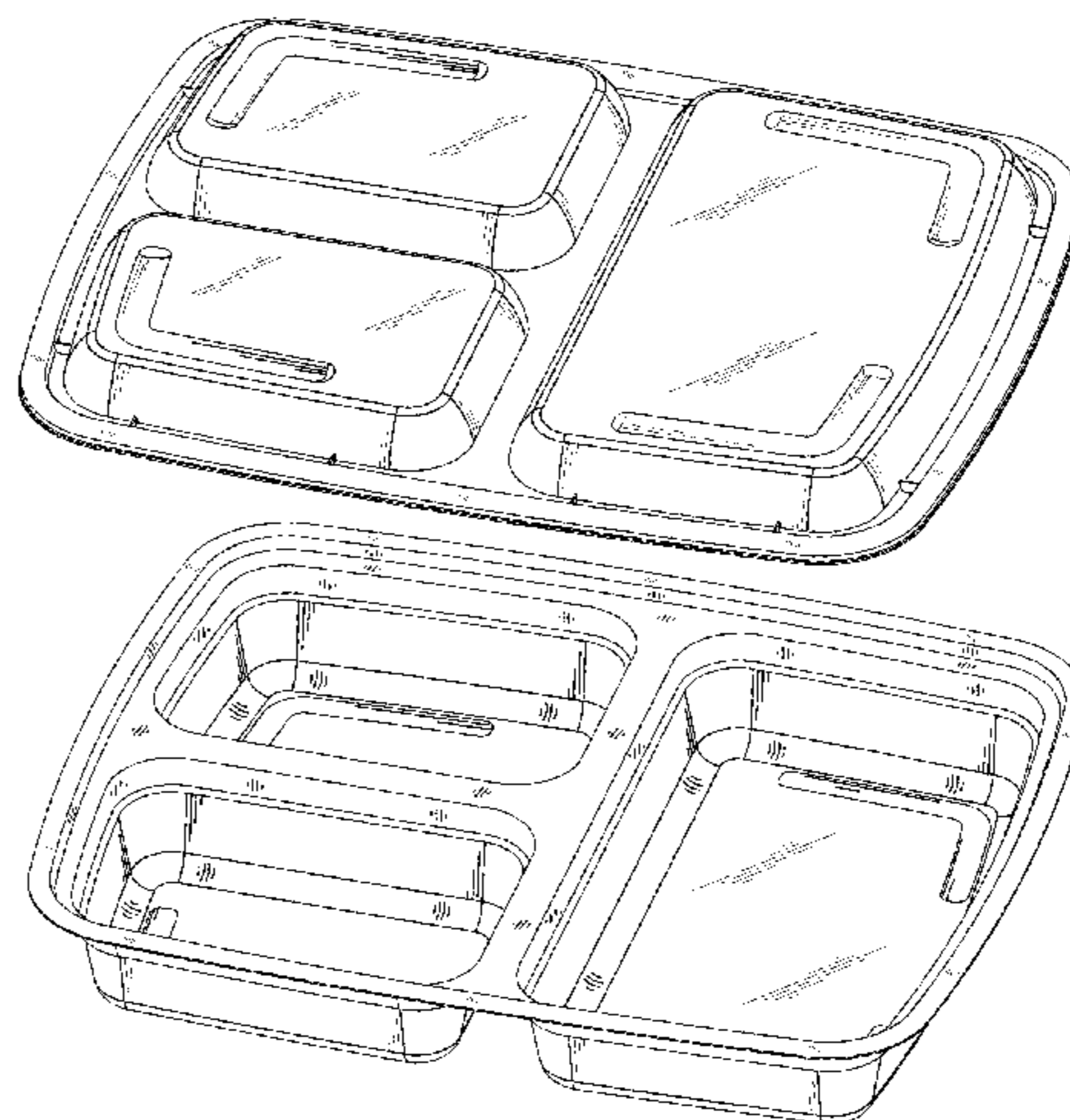
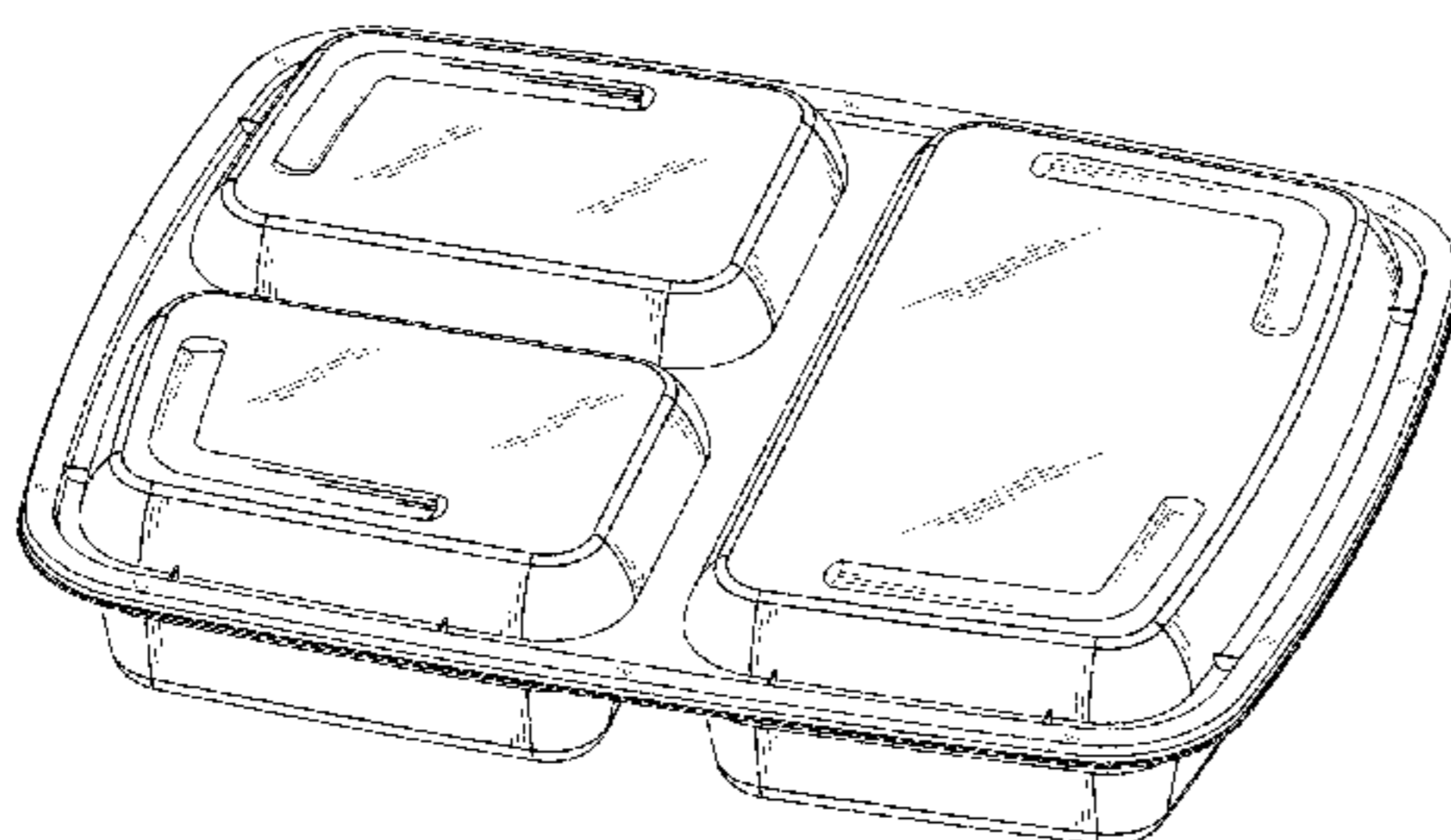
(57) **CLAIM**

The ornamental design for a lunch box, as shown and
described.

DESCRIPTION

FIG. 1 is a top back perspective view of a lunch box showing
my new design;
FIG. 2 is a top view thereof;
FIG. 3 is a bottom view thereof;
FIG. 4 is a side view thereof, the other side view being a
mirror image thereof;
FIG. 5 is a front view thereof;
FIG. 6 is a back view thereof;
FIG. 7 is an exploded top perspective view of FIG. 1 shown
open thereof; and,
FIG. 8 is a cross-sectional view of a lunch box taken along
line 8-8 of FIG. 2.

1 Claim, 8 Drawing Sheets



(56)

References Cited

U.S. PATENT DOCUMENTS

D665,675	S *	8/2012	Wu	D7/629
D665,676	S *	8/2012	Wu	D7/629
D665,677	S *	8/2012	Wu	D7/629
D666,058	S *	8/2012	Liang	D7/541
D688,921	S *	9/2013	Miros	D7/629
D691,901	S *	10/2013	Epstein	D9/424
D696,910	S *	1/2014	Franczyk	D7/629
D724,903	S *	3/2015	Chen	D7/629
D733,962	S *	7/2015	Sunder	D28/8.1
D755,579	S *	5/2016	Wu	D7/629
D763,706	S *	8/2016	Shum	D9/737
2004/0144781	A1 *	7/2004	Dees	B65D 11/188 220/4.24
2010/0320212	A1 *	12/2010	Cai	A47J 47/02 220/526
2014/0151387	A1 *	6/2014	Chen	B65D 43/0218 220/780

* cited by examiner

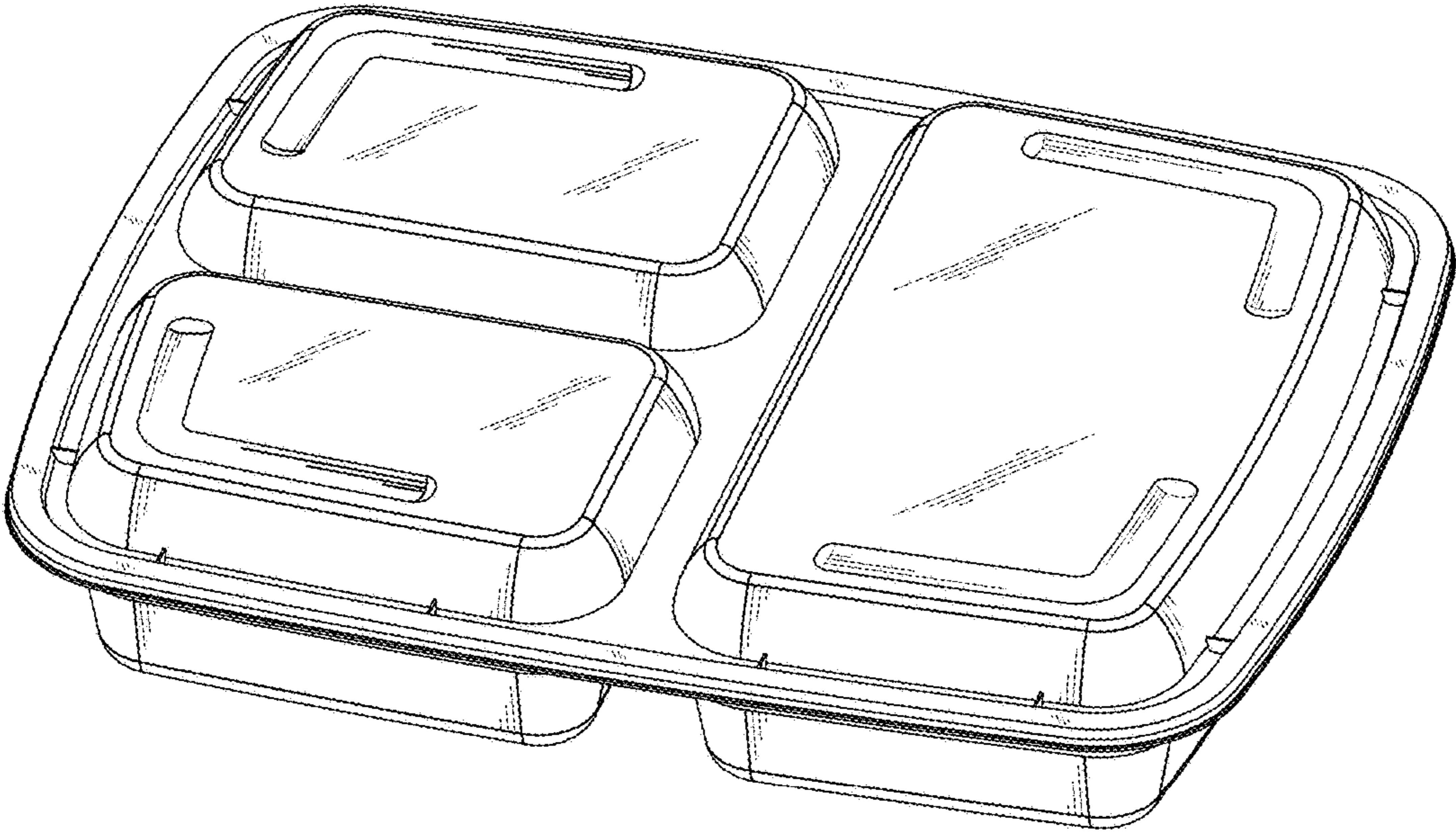


FIG.1

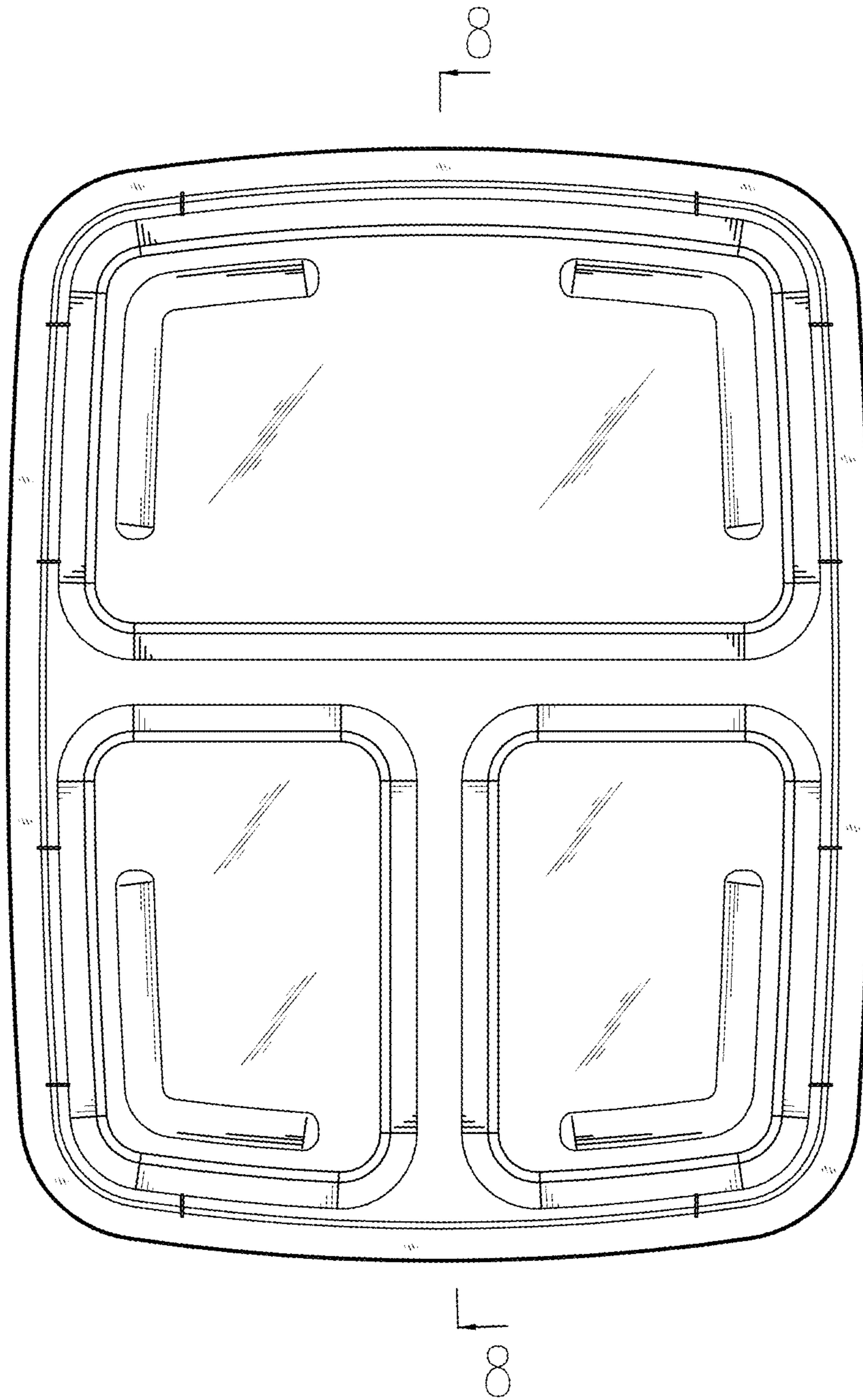


FIG. 2

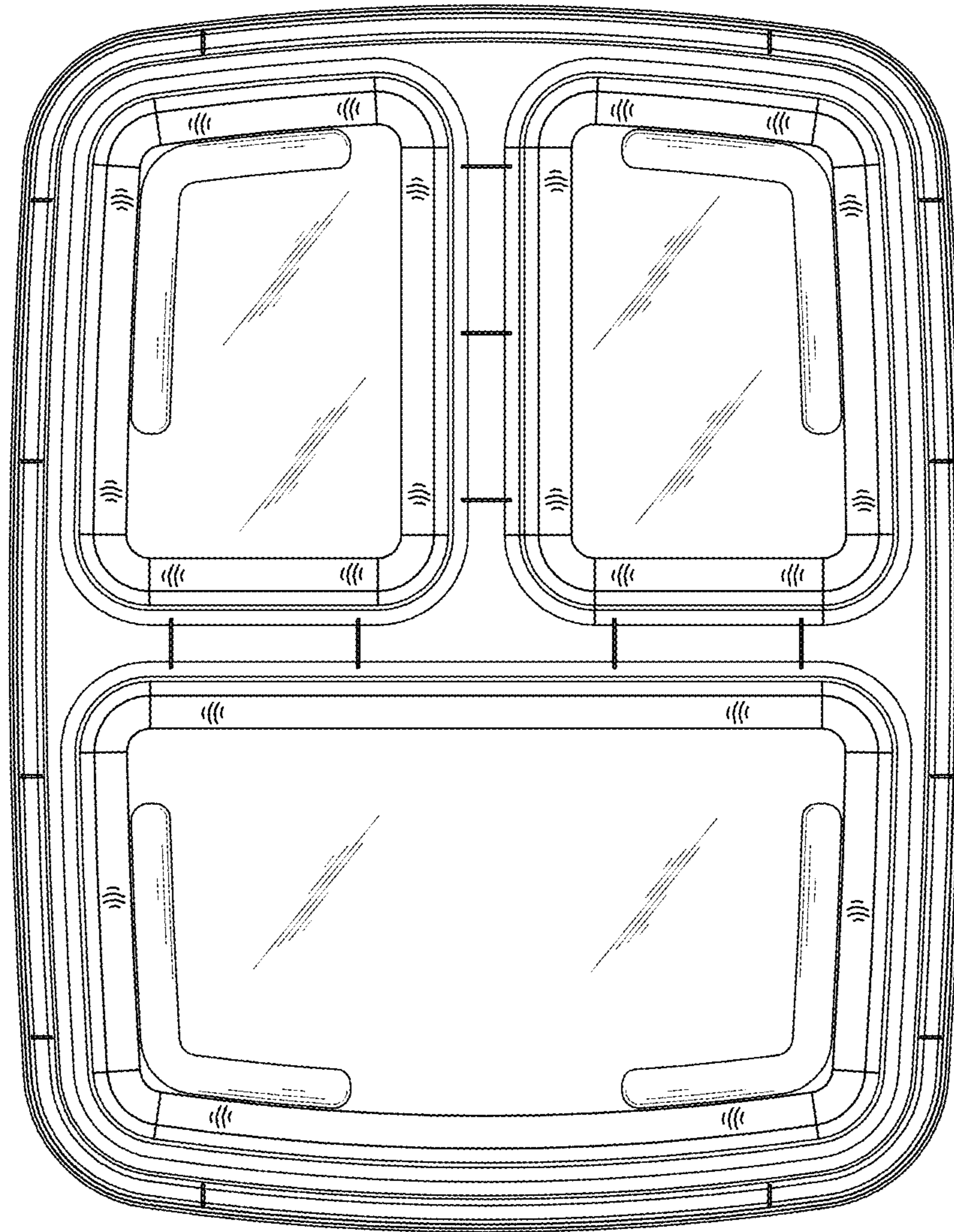


FIG. 3

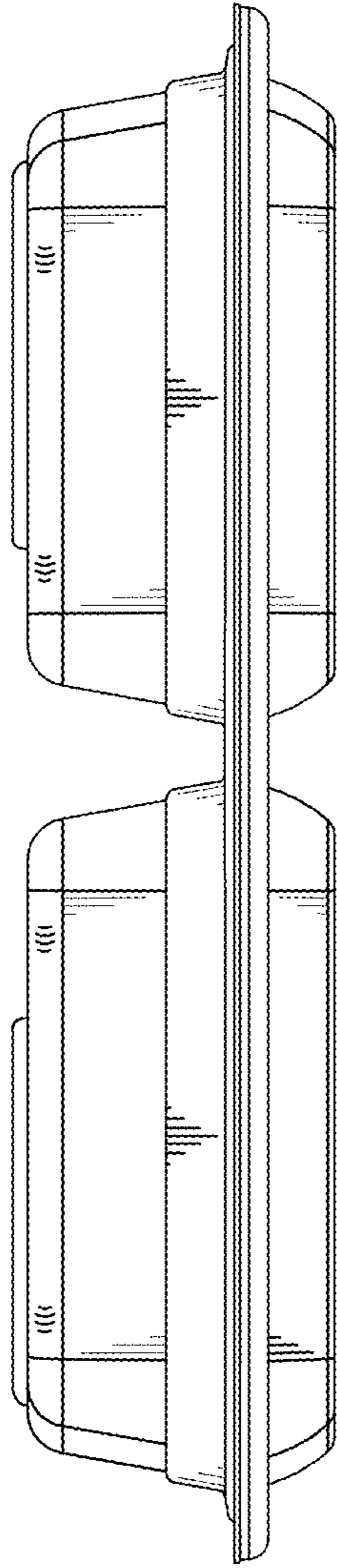


FIG. 4

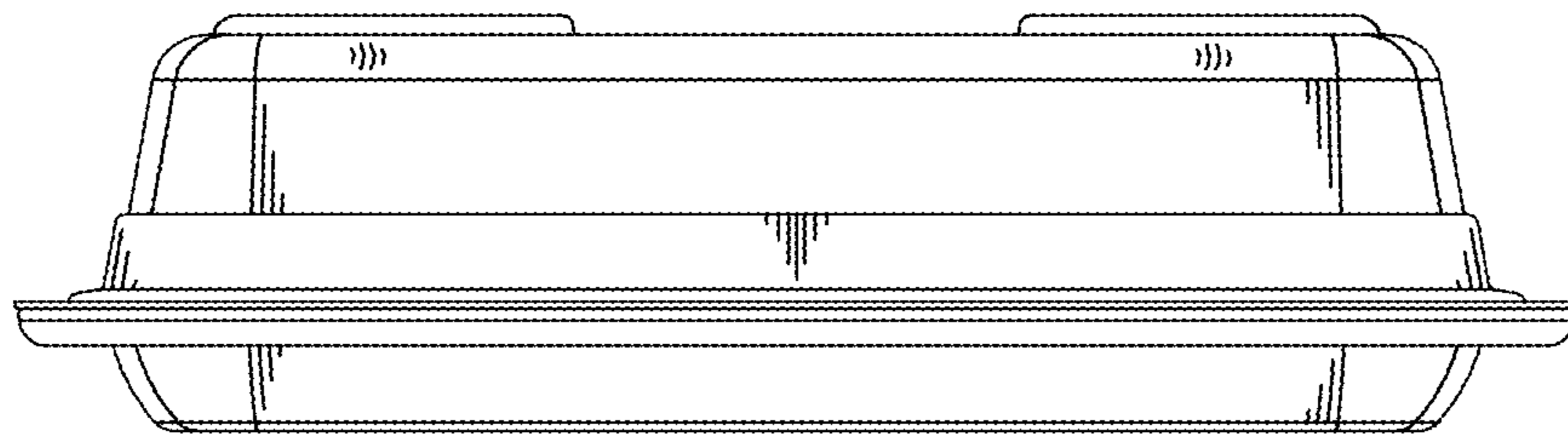


FIG. 5

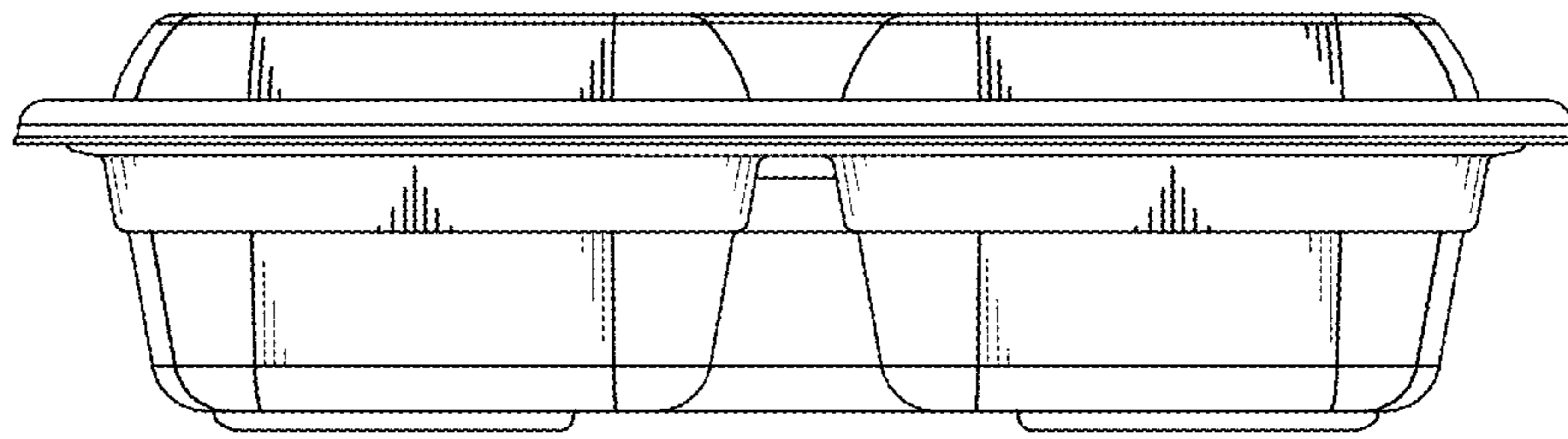


FIG. 6



FIG. 7

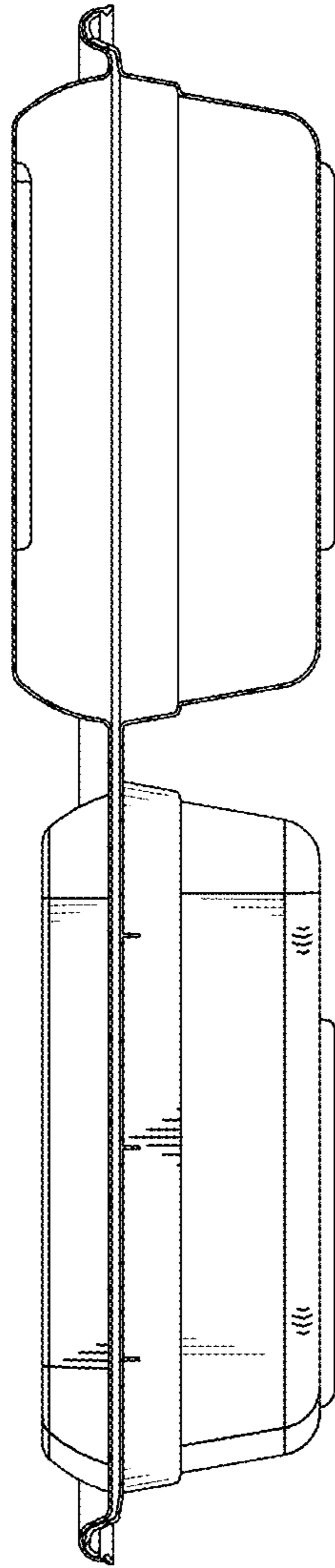


FIG. 8