



US00D830791S

(12) **United States Design Patent** (10) **Patent No.:** **US D830,791 S**
Lee (45) **Date of Patent:** **** Oct. 16, 2018**

(54) **FOOD CONTAINER**

(71) Applicant: **SAMKWANG GLASS CO., LTD.**,
Seoul (KR)

(72) Inventor: **Do Haeng Lee**, Seoul (KR)

(73) Assignee: **SAMKWANG GLASS CO., LTD.**,
Seoul (KR)

(**) Term: **15 Years**

(21) Appl. No.: **29/571,769**

(22) Filed: **Jul. 21, 2016**

(30) **Foreign Application Priority Data**

Jan. 21, 2016 (KR) 30-2016-0002962

(51) **LOC (11) Cl.** **09-07**

(52) **U.S. Cl.**
USPC **D7/629**

(58) **Field of Classification Search**

USPC D7/615, 300, 590, 591, 594, 595, 597,
D7/599, 602, 612, 613, 614, 708, 619.1,
D7/619.2, 641, 300.1, 301, 302, 589, 603,
D7/604, 605, 606, 608, 701, 702, 703,
D7/707, 622, 623, 710, 628, 629, 630;
D9/600, 601, 643, 644, 645, 646, 647,
D9/648, 655, 659, 661, 738, 761, 767,
D9/772, 773, 500, 516, 537, 538, 539,
D9/540, 541, 542, 543, 545, 549, 550,
D9/558, 559, 563, 567, 573, 574, 575,
D9/552, 554, 565, 737, 756, 759, 760,
D9/501, 502, 503, 504, 414, 416, 419,
D9/428, 432, 438

CPC A47G 19/20; A47G 19/12; A47G 23/04;
A47G 23/06; B65D 1/00; B65D 1/02;
B65D 1/10; B65D 1/12; B65D 1/23;
B65D 1/06; B65D 1/14; B65D 1/16;
B65D 1/26; B65D 3/00; B65D 3/02;
B65D 3/04; B65D 7/00; B65D 7/02;
B65D 7/04; B65D 9/02; B65D 11/00;

B65D 11/02; B65D 13/00; B65D 15/00;
B65D 15/02; B65D 17/00; B65D 17/02;
B65D 23/00; B65D 39/00; B65D 77/00;
B65D 2543/00296; B65D 2543/00842;
B65D 17/06; B65D 17/50; B65D 11/18;
B65D 1/34; B65D 1/36; B65D 1/22;
B65D 1/24

See application file for complete search history.

(56) **References Cited**

U.S. PATENT DOCUMENTS

D246,439 S * 11/1977 Lynn D9/425
4,412,630 A * 11/1983 Daenen B65D 43/0218
220/792
4,976,370 A * 12/1990 Cassel B65D 1/22
220/792
D452,374 S * 12/2001 Kim D3/302

(Continued)

Primary Examiner — Shannon W Morgan

(74) *Attorney, Agent, or Firm* — Carlson, Gaskey & Olds

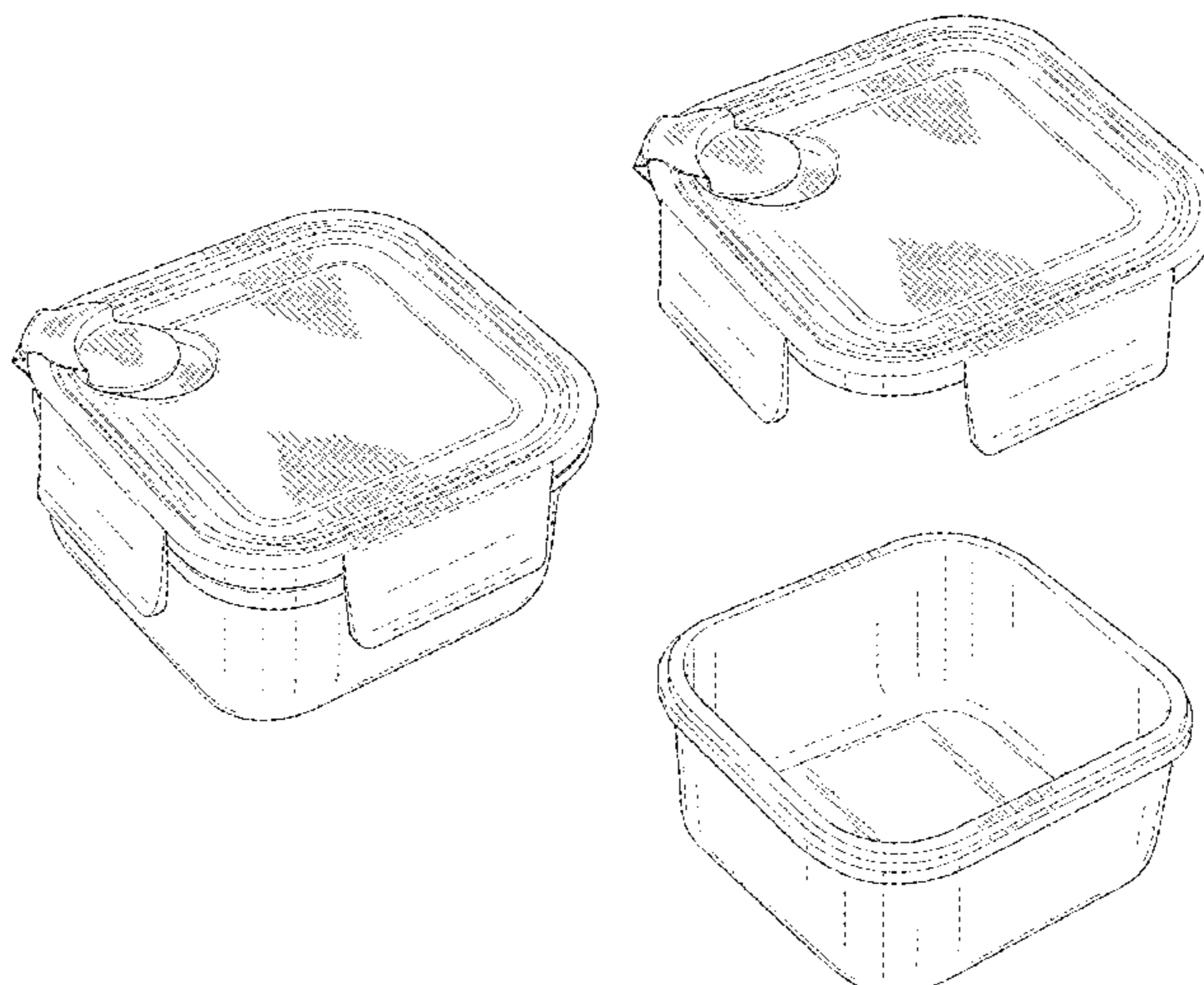
(57) **CLAIM**

The ornamental design for a food container, as shown and described.

DESCRIPTION

FIG. 1 is a perspective view of a food container showing my new design;
FIG. 2 is a front elevational view thereof;
FIG. 3 is a rear side elevational view thereof;
FIG. 4 is a left side elevational view of thereof;
FIG. 5 is a right side elevational view thereof;
FIG. 6 is a top plan view thereof;
FIG. 7 is a bottom plan view thereof;
FIG. 8 is another top, front perspective view of the food container in FIG. 1 shown with the cap portion in an open position; and,
FIG. 9 is an exploded top, front perspective view of the food container in FIG. 1.

1 Claim, 6 Drawing Sheets



(56)

References Cited

U.S. PATENT DOCUMENTS

D469,011 S * 1/2003 Miller D3/302
 D483,622 S * 12/2003 Kim D7/629
 D484,367 S * 12/2003 Kim D7/629
 D489,530 S * 5/2004 Lindsay D3/273
 D490,277 S * 5/2004 Kim D3/302
 6,793,096 B1 * 9/2004 Seok B65D 43/0218
 220/326
 D500,227 S * 12/2004 Seok D7/392.1
 D516,388 S * 3/2006 Wells D7/629
 D517,311 S * 3/2006 Kim D3/218
 D526,857 S * 8/2006 Littmann D7/629
 D541,598 S * 5/2007 Kim D7/629
 D542,100 S * 5/2007 Kim D7/629
 D544,762 S * 6/2007 Zimmerman D7/601
 D551,515 S * 9/2007 Ablo D7/629
 D562,083 S * 2/2008 Lown D7/629
 D610,878 S * 3/2010 Kim D7/629
 D610,879 S * 3/2010 Kim D7/629
 D611,807 S * 3/2010 Miga, Jr. D9/424
 D615,821 S * 5/2010 Stamper D7/538
 D618,516 S * 6/2010 DiPietro D7/629
 D646,127 S * 10/2011 Lindsay D7/629
 D646,128 S * 10/2011 Cetti D7/629
 D651,477 S * 1/2012 Nie D7/629
 D651,479 S * 1/2012 Nie D7/629
 D652,265 S * 1/2012 Lindsay D7/629
 D652,686 S * 1/2012 Lindsay D7/629

D656,369 S * 3/2012 Everson B65D 43/162
 D7/629
 D660,092 S * 5/2012 Kyung D7/629
 D660,094 S * 5/2012 Kyung D7/629
 D660,095 S * 5/2012 Kyung D7/629
 D675,057 S * 1/2013 Harvey D7/391
 D677,116 S * 3/2013 Smyers D7/391
 D682,052 S * 5/2013 Thomas D7/629
 D692,281 S * 10/2013 George D7/629
 D696,075 S * 12/2013 Mashike D7/605
 D698,614 S * 2/2014 Duvigneau D7/629
 D700,482 S * 3/2014 Yessin D7/629
 8,733,550 B2 * 5/2014 Harvey B65D 53/02
 206/508
 D706,084 S * 6/2014 Manley D7/629
 D718,983 S * 12/2014 Yessin D7/629
 D722,832 S * 2/2015 Ra D7/602
 D736,569 S * 8/2015 Bronwasser D7/629
 D758,805 S * 6/2016 Myoung D7/629
 D758,806 S * 6/2016 Morales D3/276
 D763,629 S * 8/2016 Swartz D7/629
 2004/0084464 A1 * 5/2004 Koo B65D 43/0218
 220/784
 2005/0006390 A1 * 1/2005 Wang B65D 45/30
 220/326
 2005/0035125 A1 * 2/2005 Bae B65D 43/0218
 220/326
 2008/0110911 A1 * 5/2008 Chen B65D 45/32
 220/788
 2014/0103033 A1 * 4/2014 Beckman B65D 25/04
 220/4.01

* cited by examiner

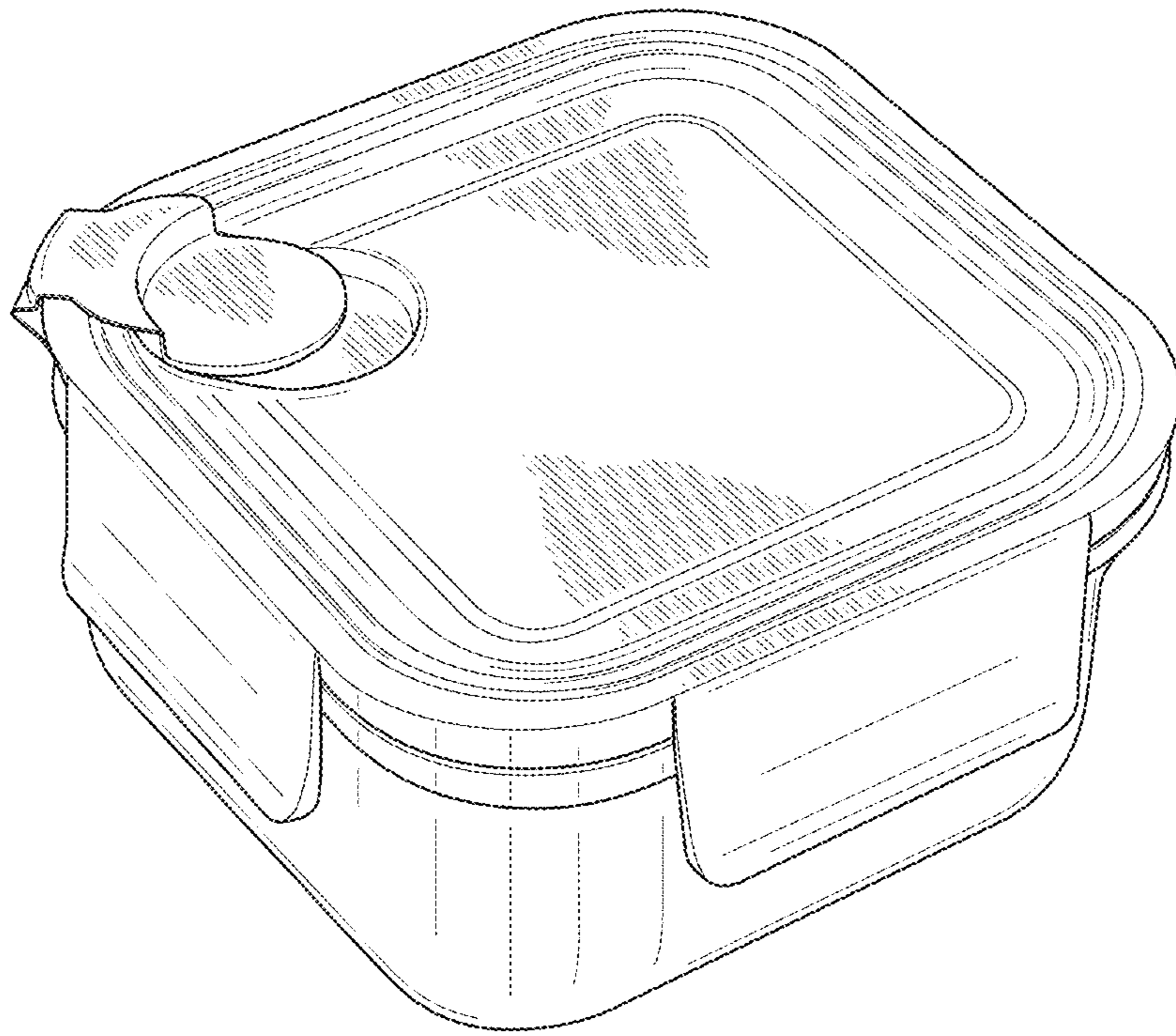


FIG. 1

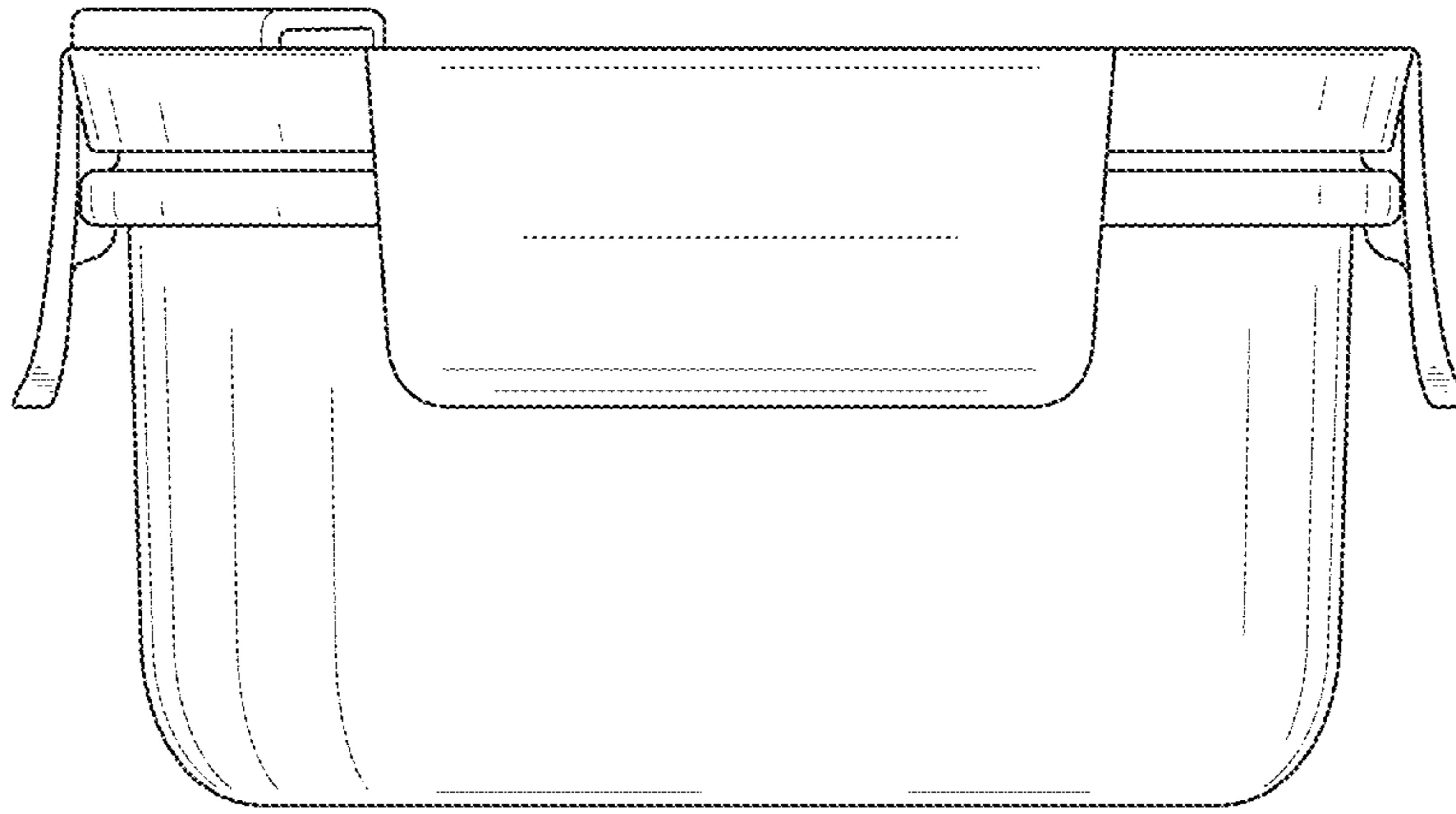


FIG. 2

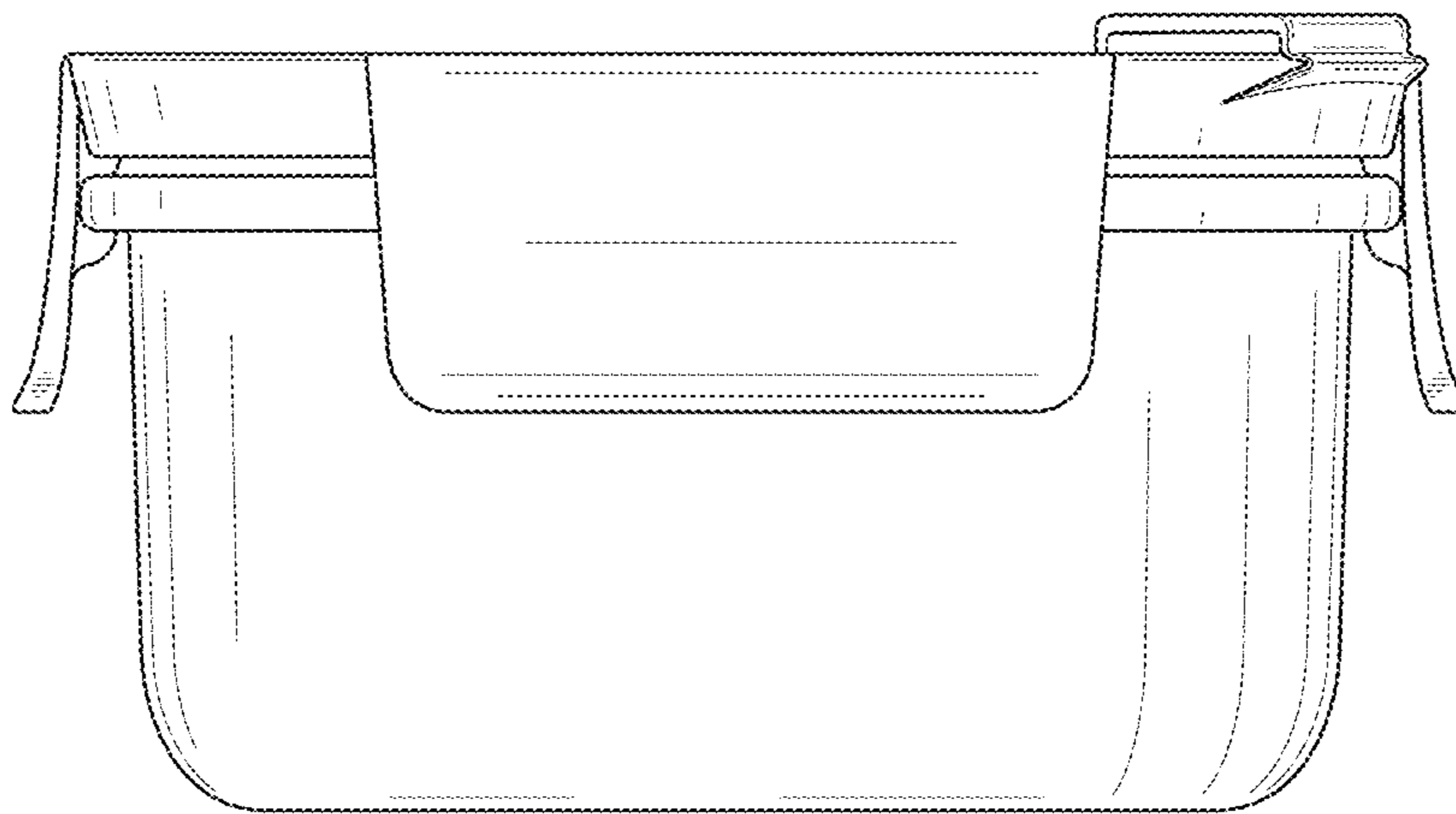


FIG. 3

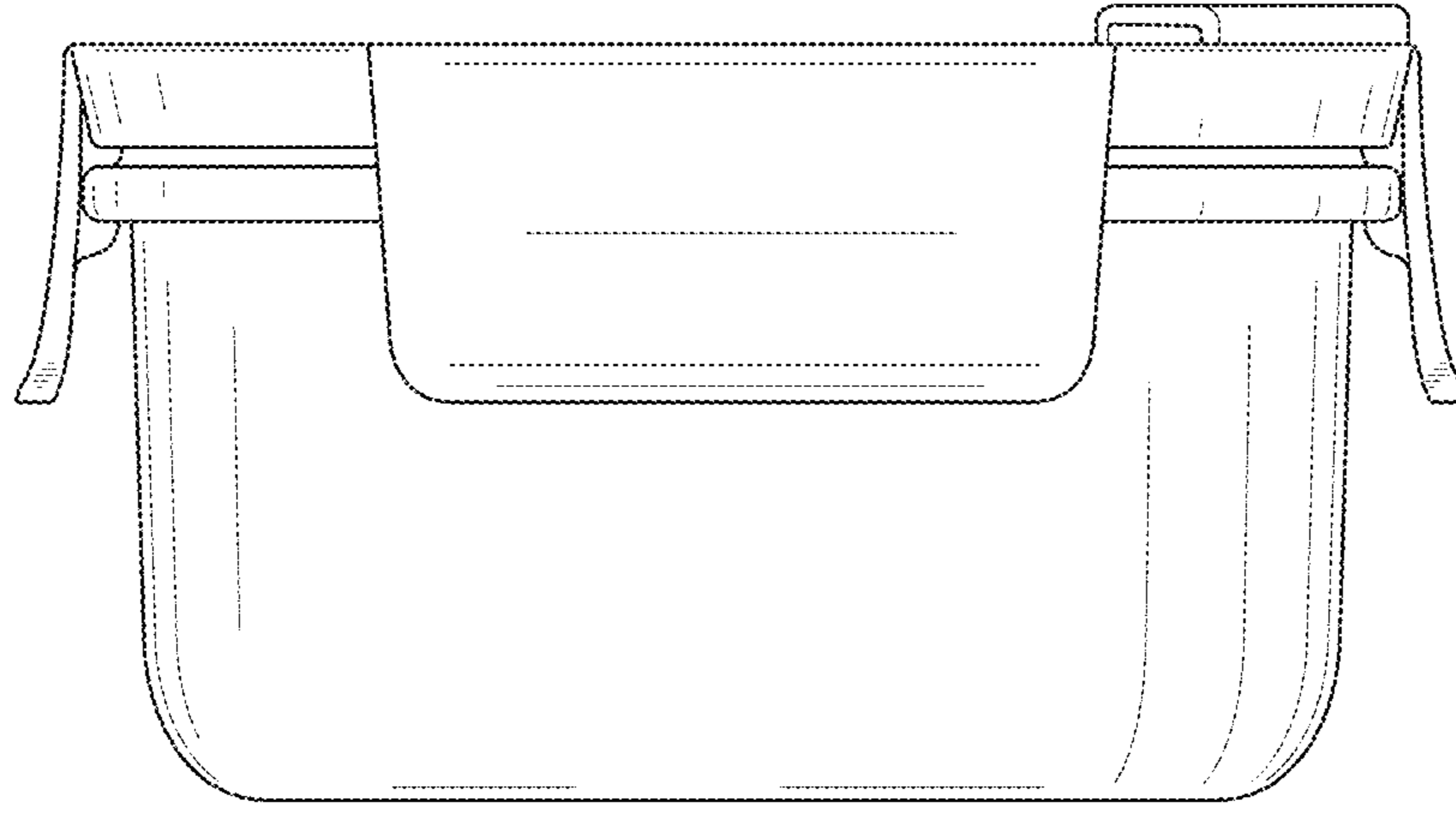


FIG. 4

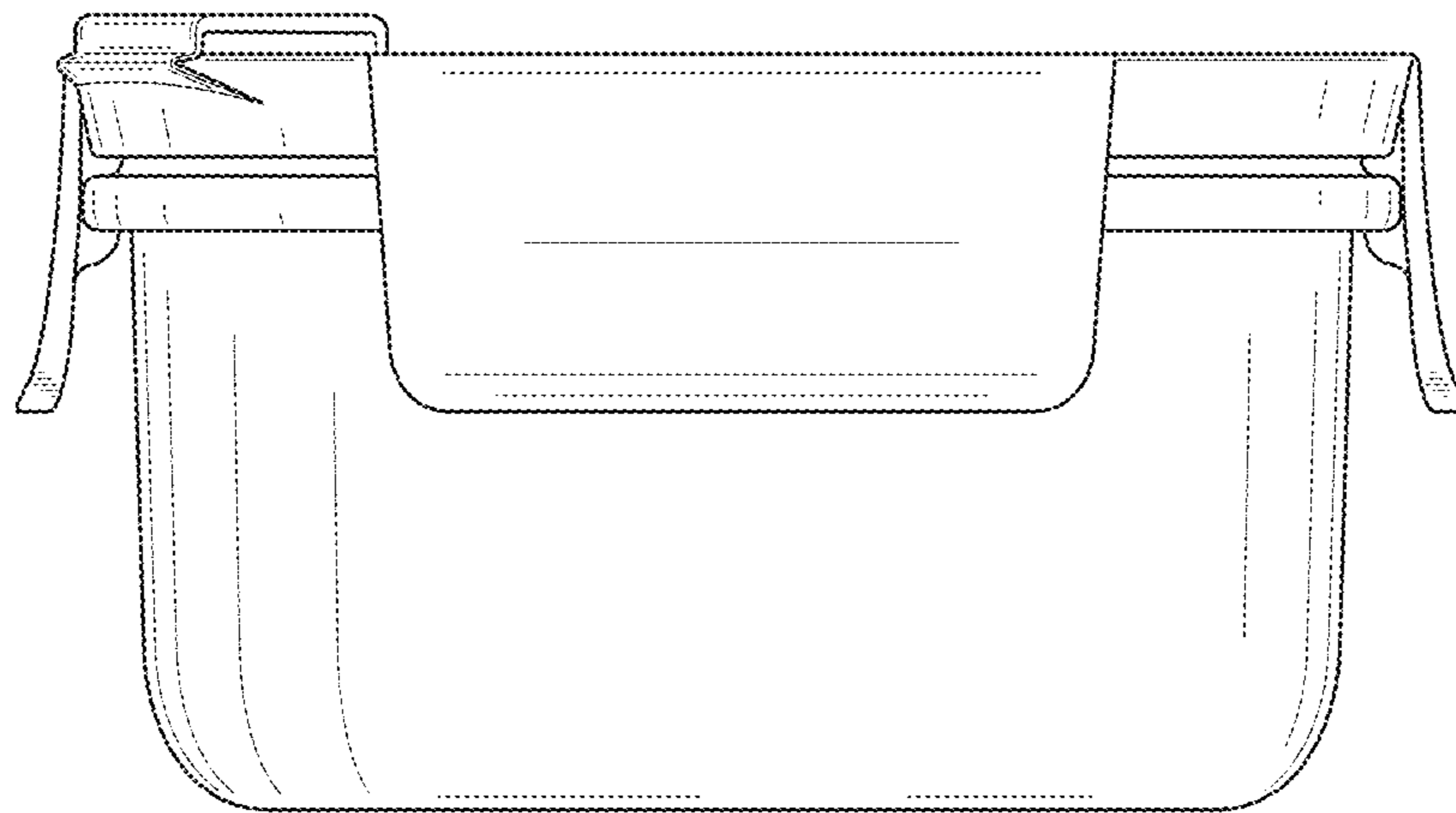


FIG. 5

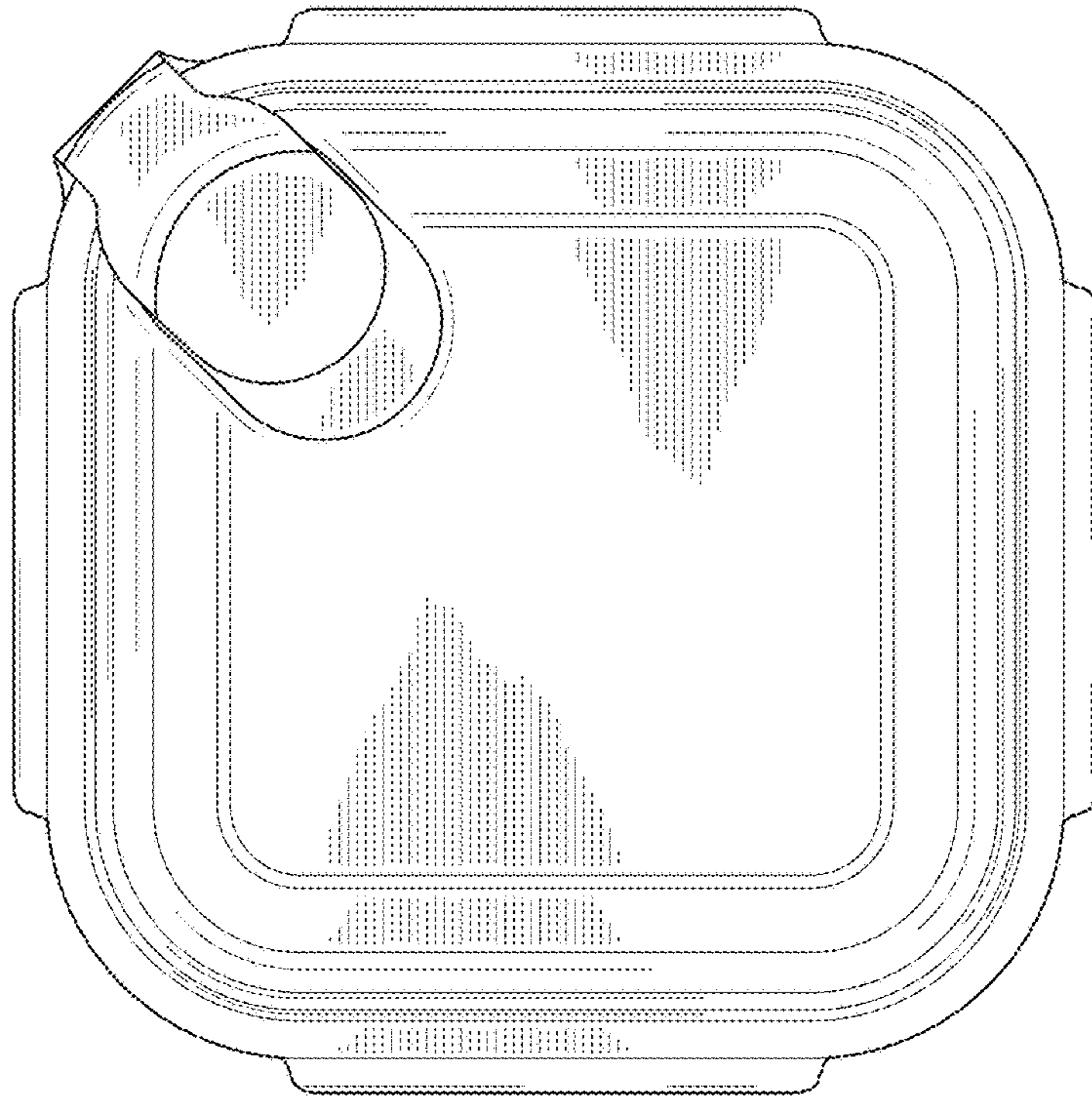


FIG. 6

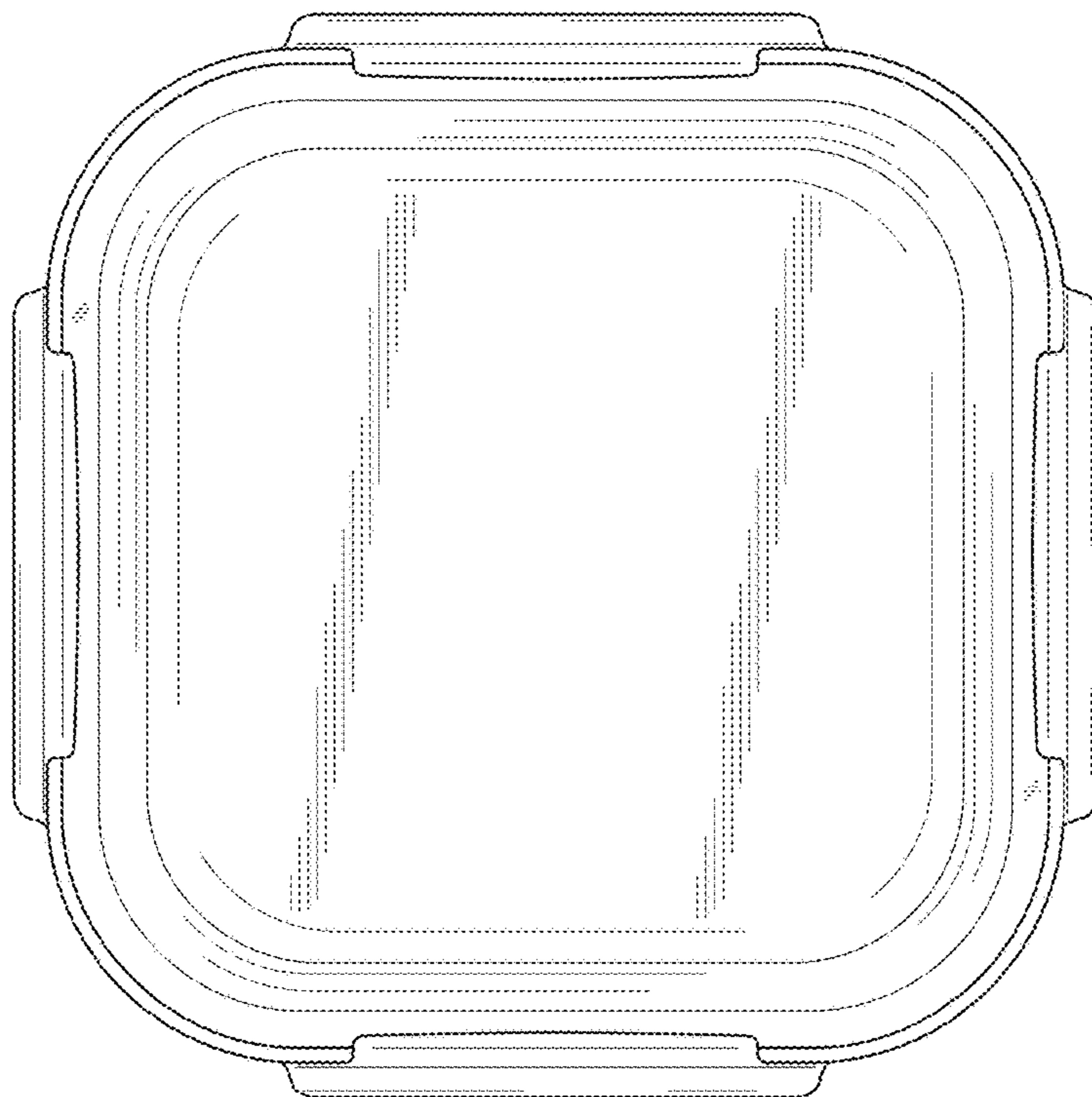


FIG. 7

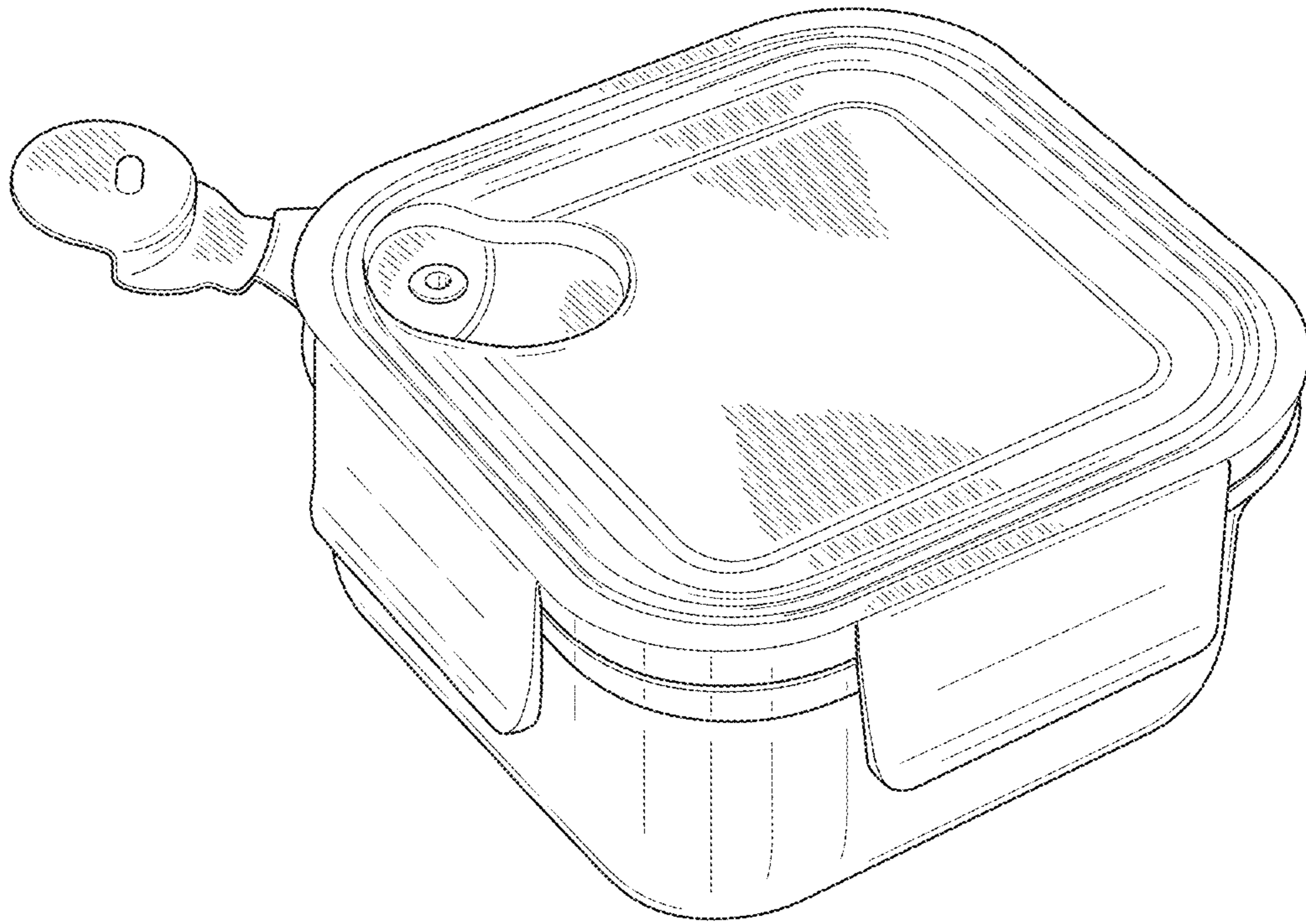


FIG. 8

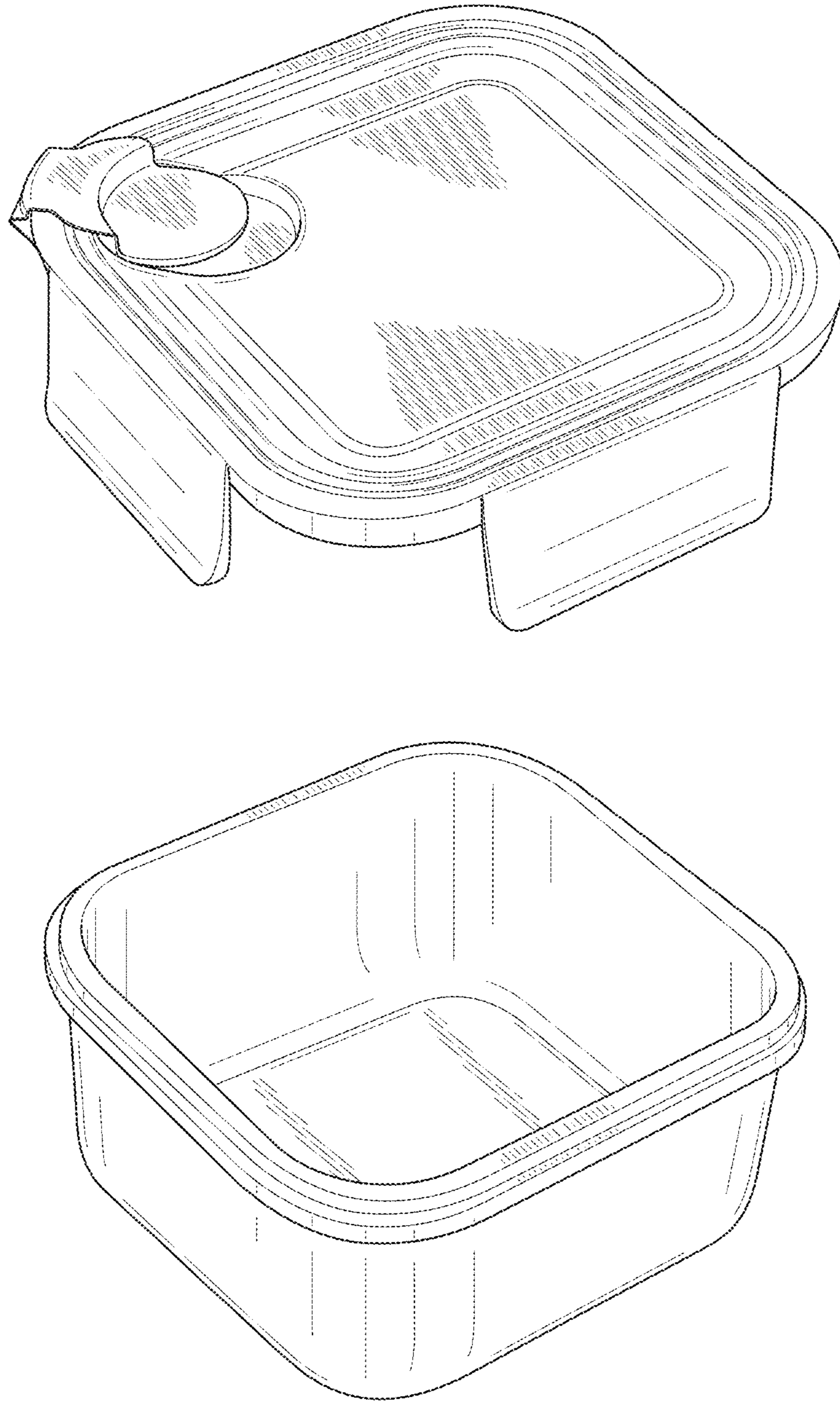


FIG. 9