



US00D830789S

(12) **United States Design Patent**
Brooks

(10) **Patent No.:** **US D830,789 S**
(45) **Date of Patent:** **** Oct. 16, 2018**

(54) **SUPPORT SLEEVE FOR A BAG IN BOX PACKAGE**

(71) Applicant: **Scholle IPN Corporation**, Northlake, IL (US)

(72) Inventor: **John Brooks**, Leabrook (AU)

(73) Assignee: **Scholle IPN Corporation**, Northlake, IL (US)

(**) Term: **15 Years**

(21) Appl. No.: **29/610,635**

(22) Filed: **Jul. 13, 2017**

(51) **LOC (11) Cl.** **07-01**

(52) **U.S. Cl.**

USPC **D7/624.2**; D9/418; D9/432

(58) **Field of Classification Search**

USPC D7/392, 397, 601, 624.2, 625, 629; D9/414, 416, 418, 430, 432, 444, D9/501-504, 574, 575, 715, 779; 215/397; 220/23.89, 288, 592.17, 739; 229/117.3; 493/133

CPC .. B65D 77/065; B65D 77/067; B65D 77/068; B65D 77/06; B65D 90/06; B65D 25/04; B65D 25/20; B65D 5/04; B65D 5/40; B65D 5/56; B65D 5/70; B65D 5/72; B65D 5/74; B65D 5/606; B65D 5/705; B65D 5/724; B65D 5/4608; B65D 5/0236; B65D 5/468; B65D 23/10; B65D 35/56; B67D 3/04; A01K 5/0225; A24F 27/10

See application file for complete search history.

(56) **References Cited**

U.S. PATENT DOCUMENTS

3,227,322 A * 1/1966 Crain B65D 5/724
221/247
3,371,824 A * 3/1968 Goss B65D 77/06
222/105

4,815,631 A * 3/1989 Eeg B65D 5/4608
222/183
D331,683 S * 12/1992 Koester D30/108
D616,742 S * 6/2010 Lymn D9/432
8,556,124 B2 * 10/2013 Edwards B65D 77/068
222/105
8,631,971 B2 * 1/2014 Edwards B65D 77/067
222/105
8,651,365 B2 * 2/2014 Lymn B65D 5/04
137/343
9,193,512 B2 * 11/2015 Brooks B65D 77/067
D758,181 S * 6/2016 Lutz D9/416
9,533,814 B2 * 1/2017 Brooks B65D 77/067
D781,142 S * 3/2017 Trujillo D9/432

(Continued)

Primary Examiner — Freda S Nunn

(74) *Attorney, Agent, or Firm* — The Watson IP Group, PLC; Jovan N. Jovanovic; Vladan M. Jasiljevic

(57) **CLAIM**

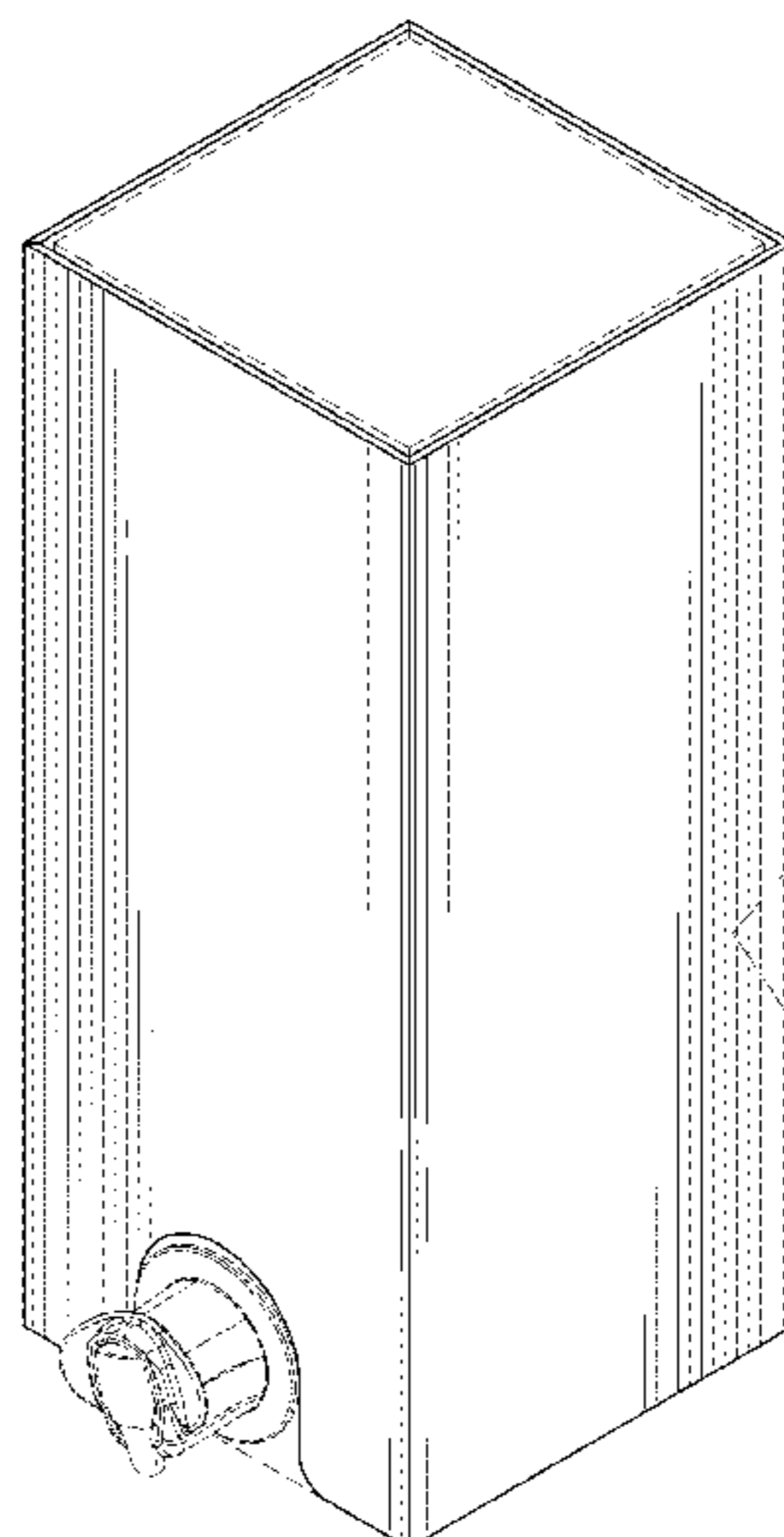
The ornamental design for a support sleeve for a bag in box package, as shown and described.

DESCRIPTION

FIG. 1 is a top perspective view of the support sleeve for a bag in box package showing the ornamental design; FIG. 2 is a bottom perspective view thereof; FIG. 3 is a front elevational view thereof; FIG. 4 is a back elevational view thereof; FIG. 5 is a first side elevational view thereof; FIG. 6 is a second side elevational view thereof; FIG. 7 is a top plan view thereof; FIG. 8 is a bottom plan view thereof; FIG. 9 is a bottom perspective view thereof showing the holding portions bent inwardly and a box being supported thereby; and, FIG. 10 is a top perspective view thereof being installed over a box.

The dashed lines show features that form no part of the claimed design.

1 Claim, 10 Drawing Sheets



(56)

References Cited

U.S. PATENT DOCUMENTS

2009/0084834 A1* 4/2009 Duyst B65D 5/705
229/117.3
2011/0036864 A1* 2/2011 McKenna B65D 77/065
222/105
2012/0217265 A1* 8/2012 Edwards B65D 77/067
222/105

* cited by examiner

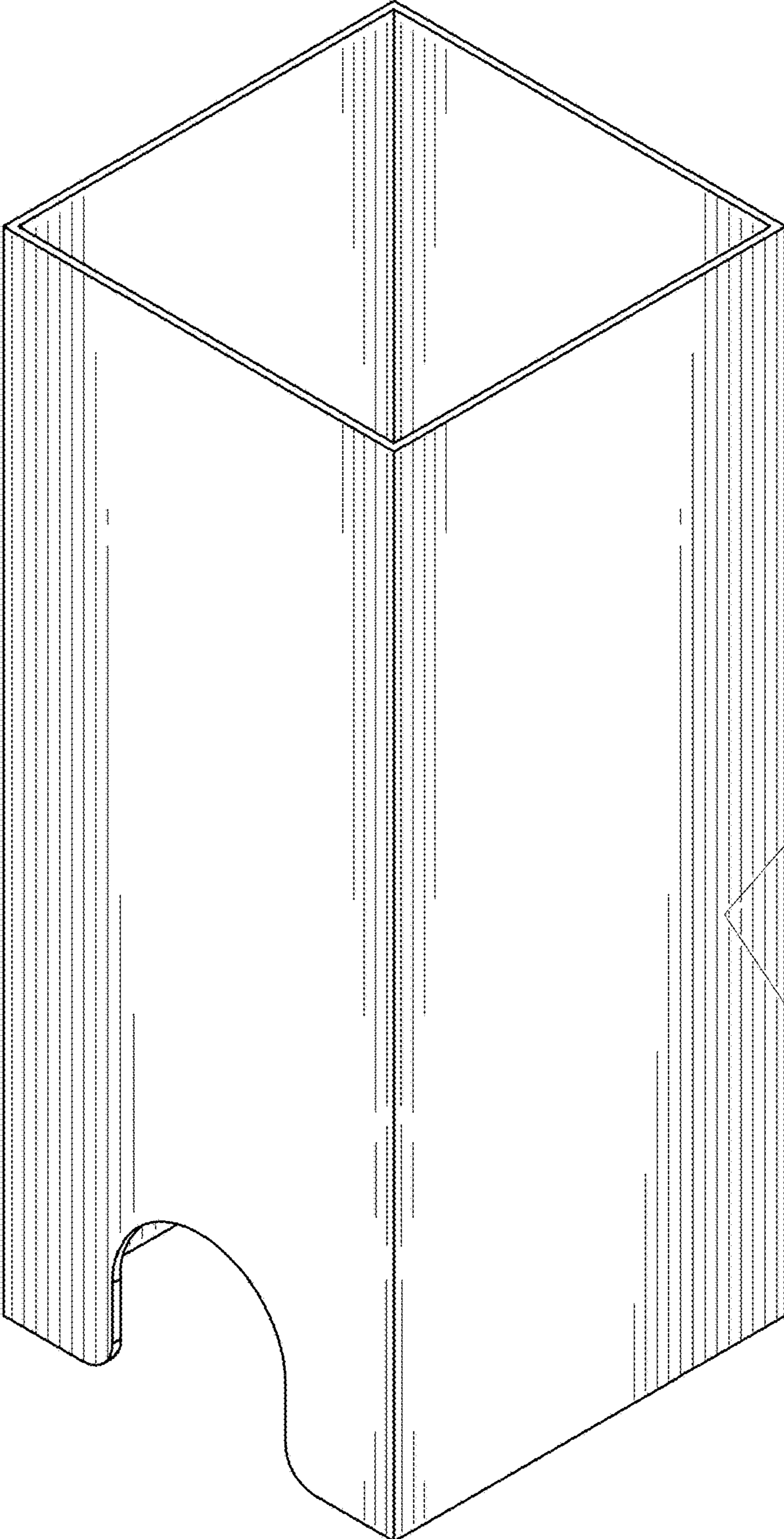


FIG. 1

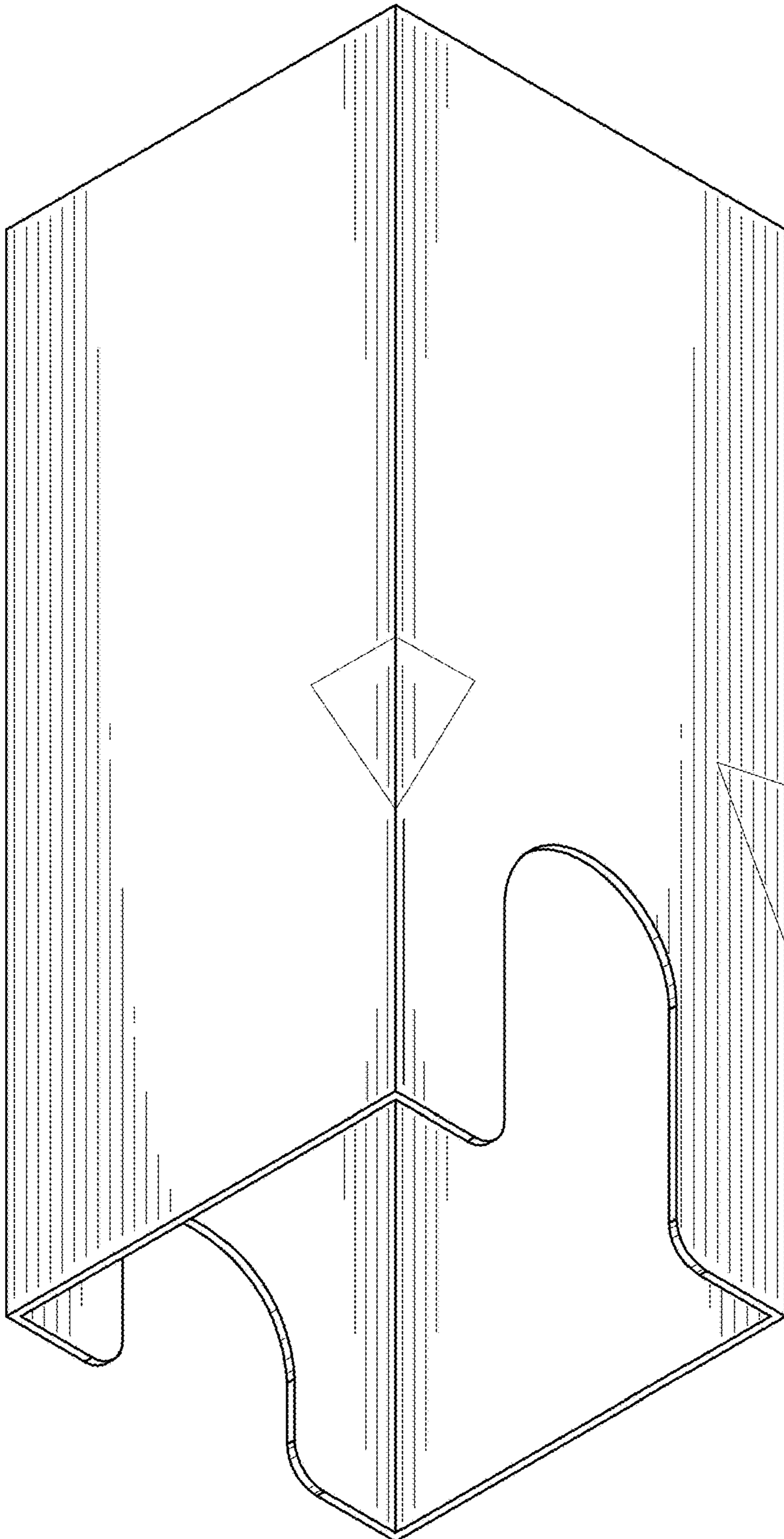


FIG. 2

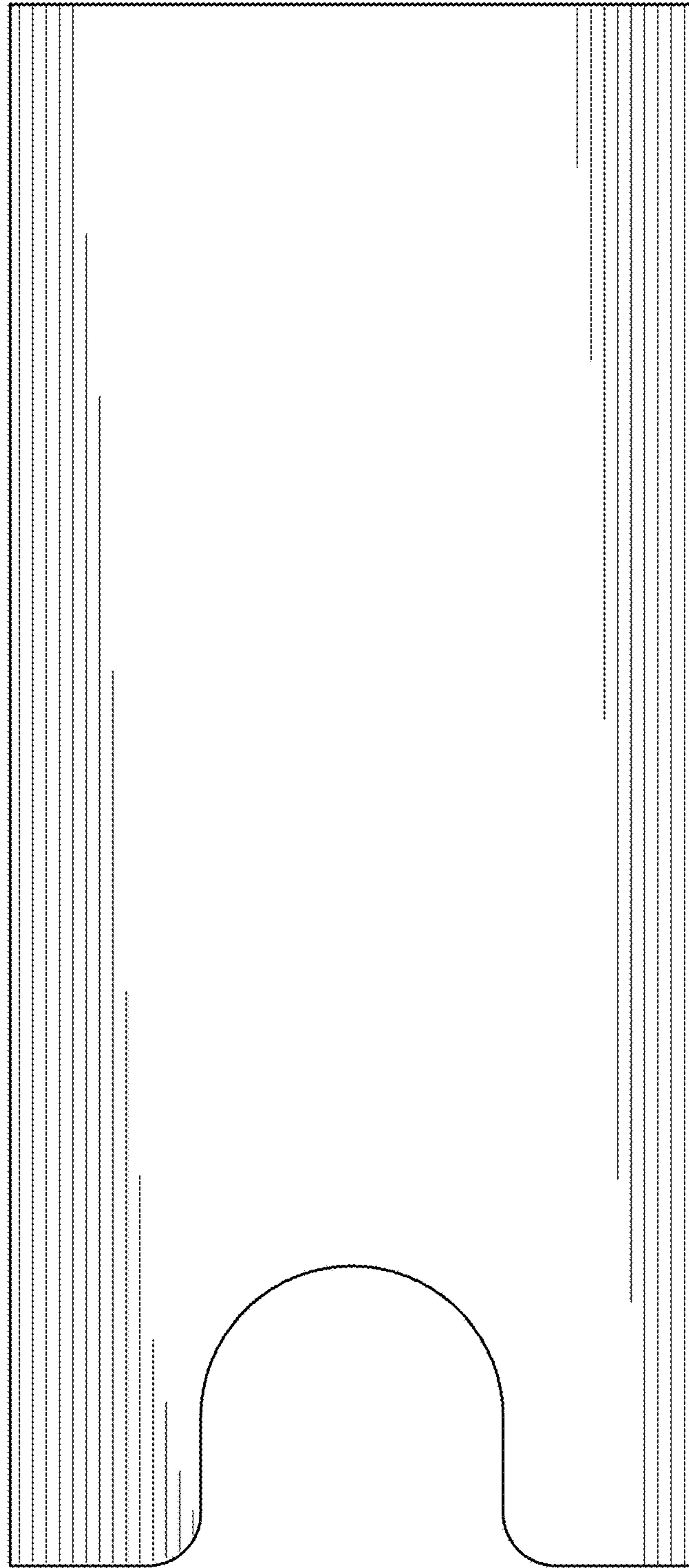


FIG. 3

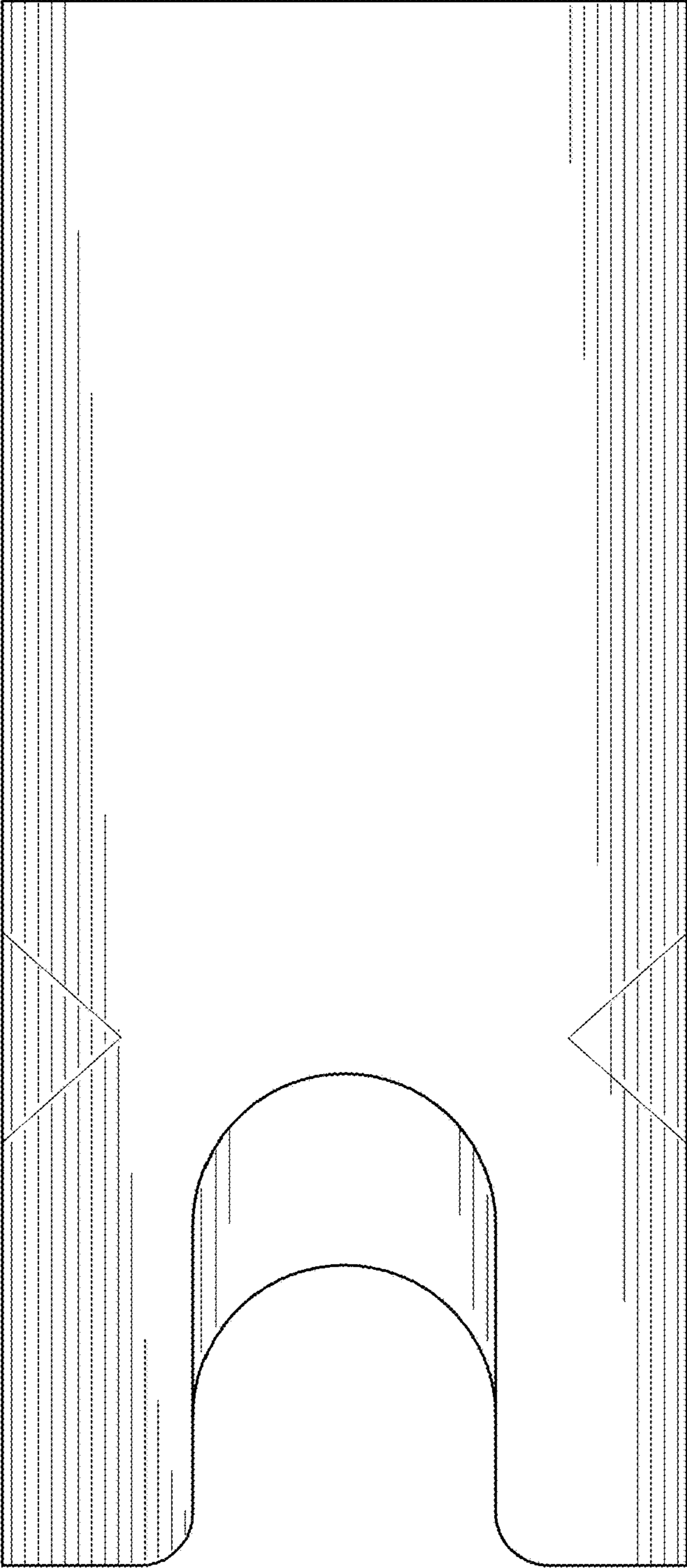


FIG. 4

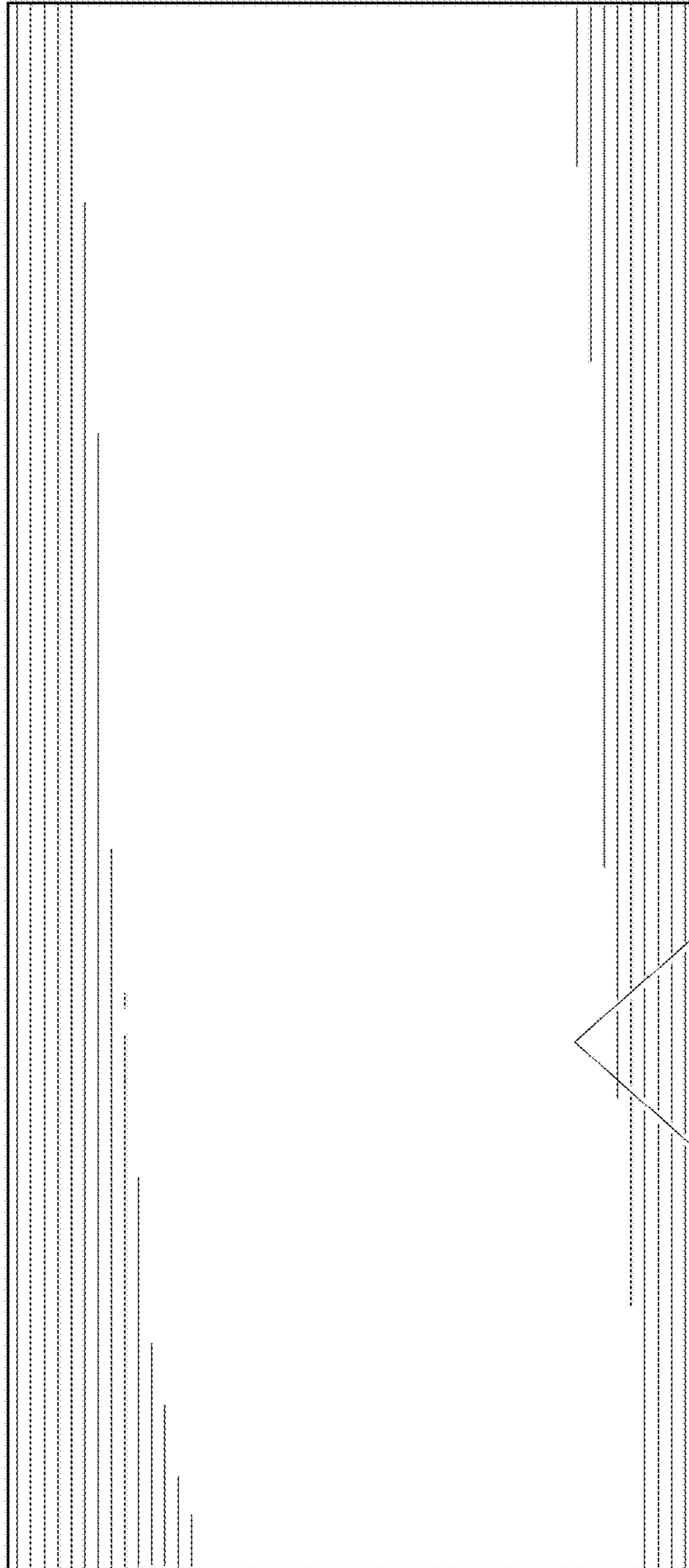


FIG. 5

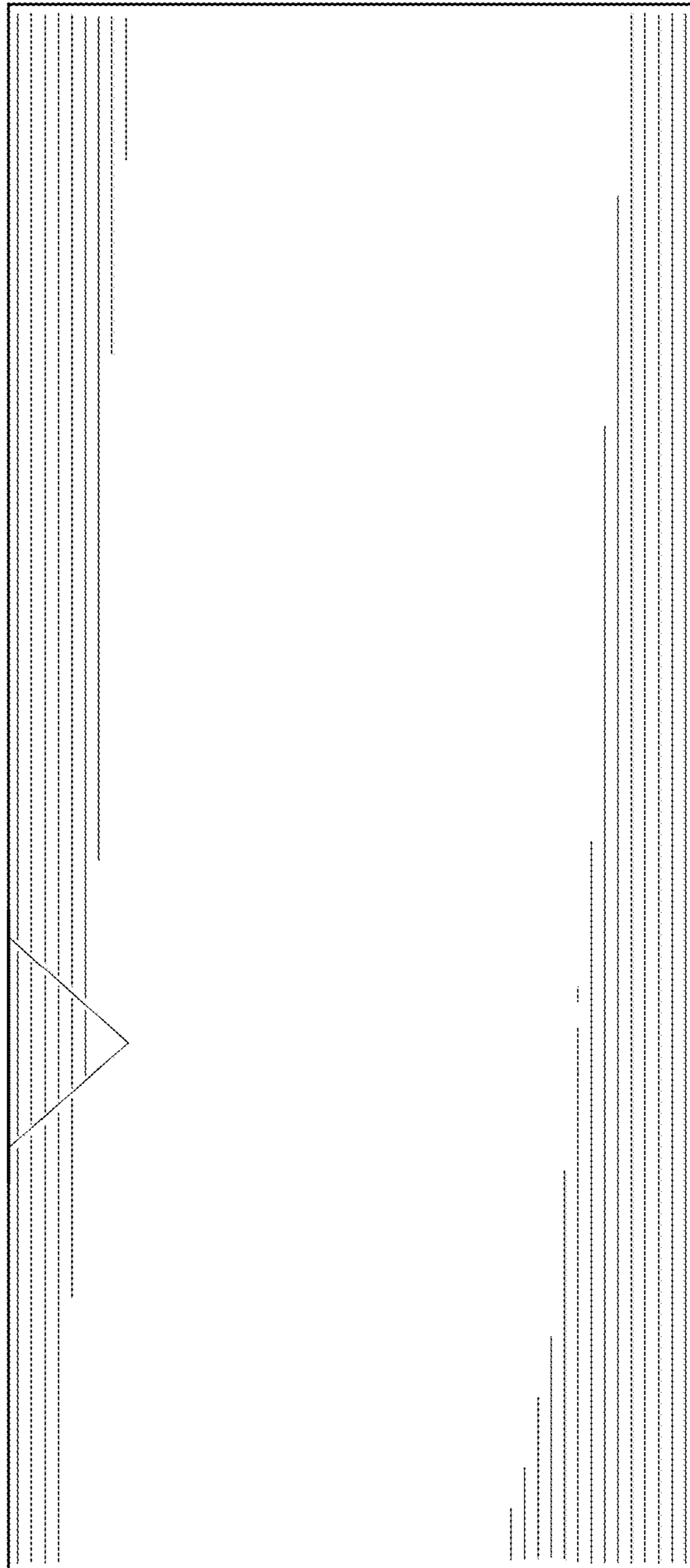


FIG. 6

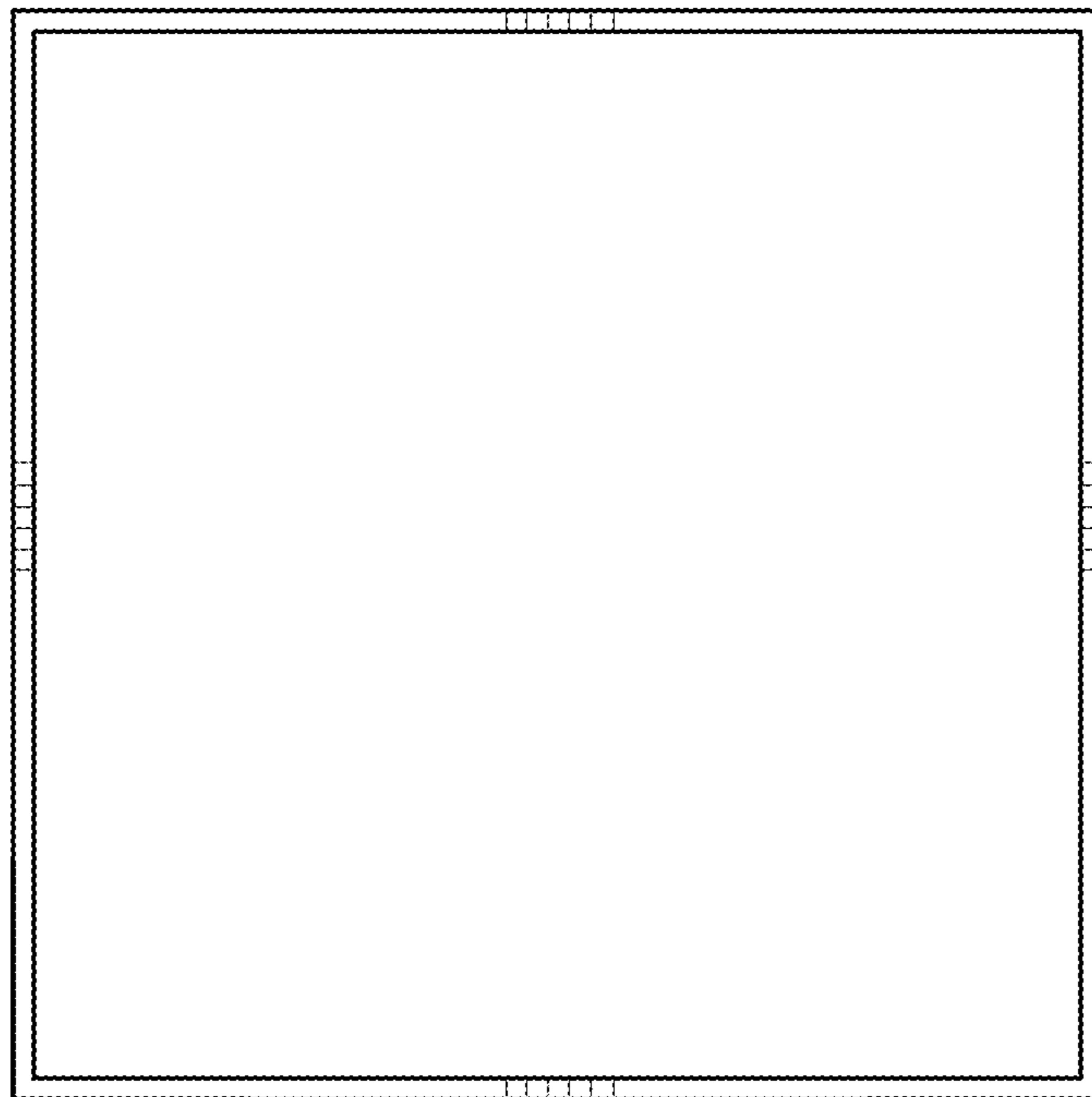


FIG. 7

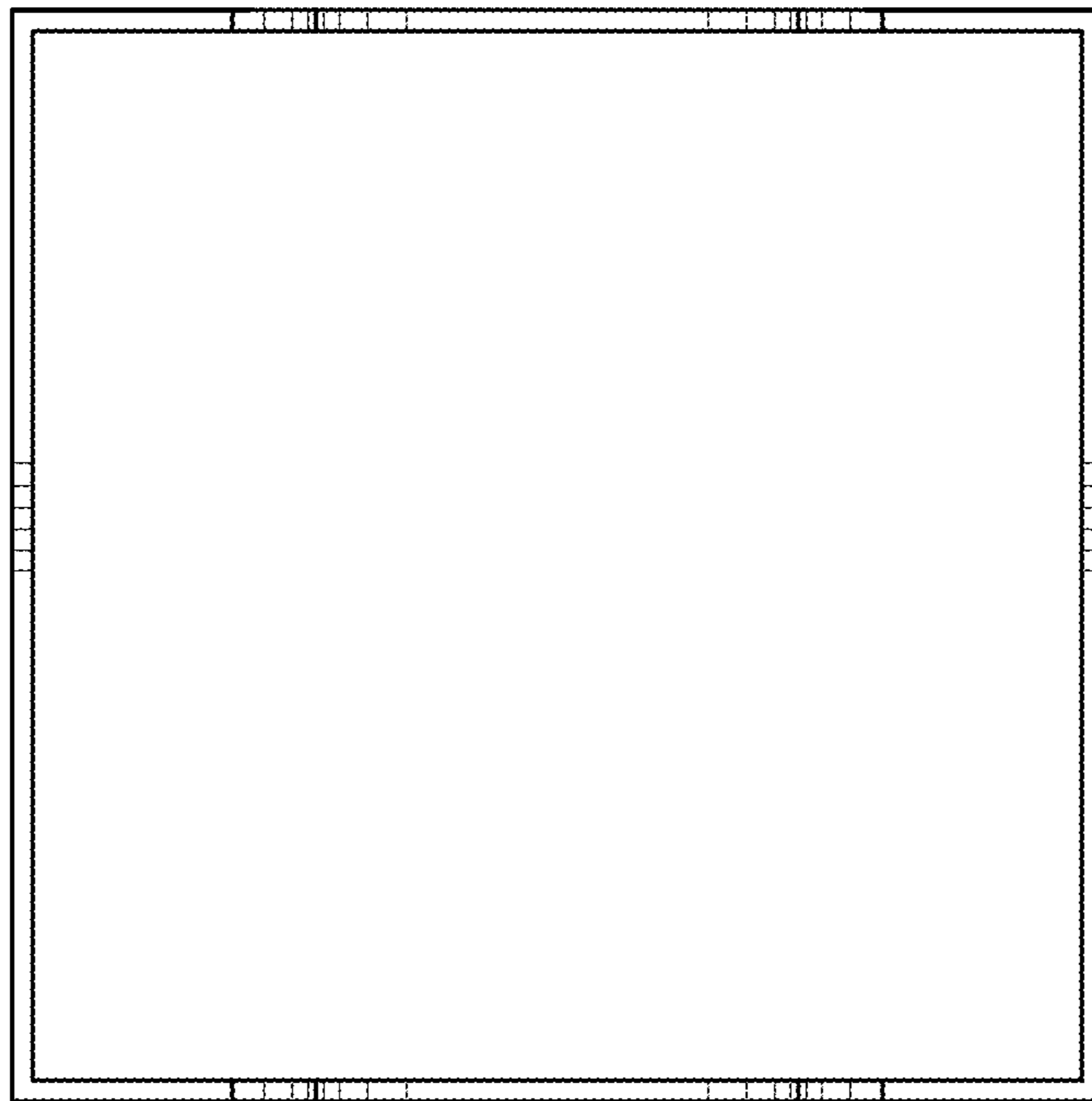


FIG. 8

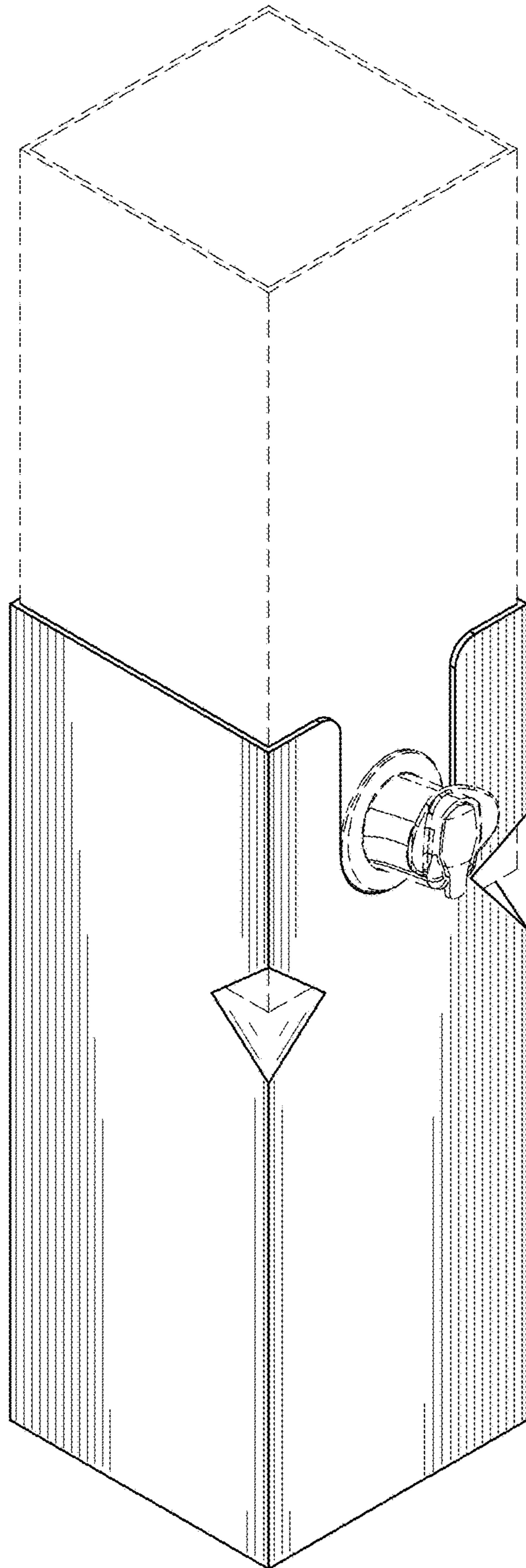


FIG. 9

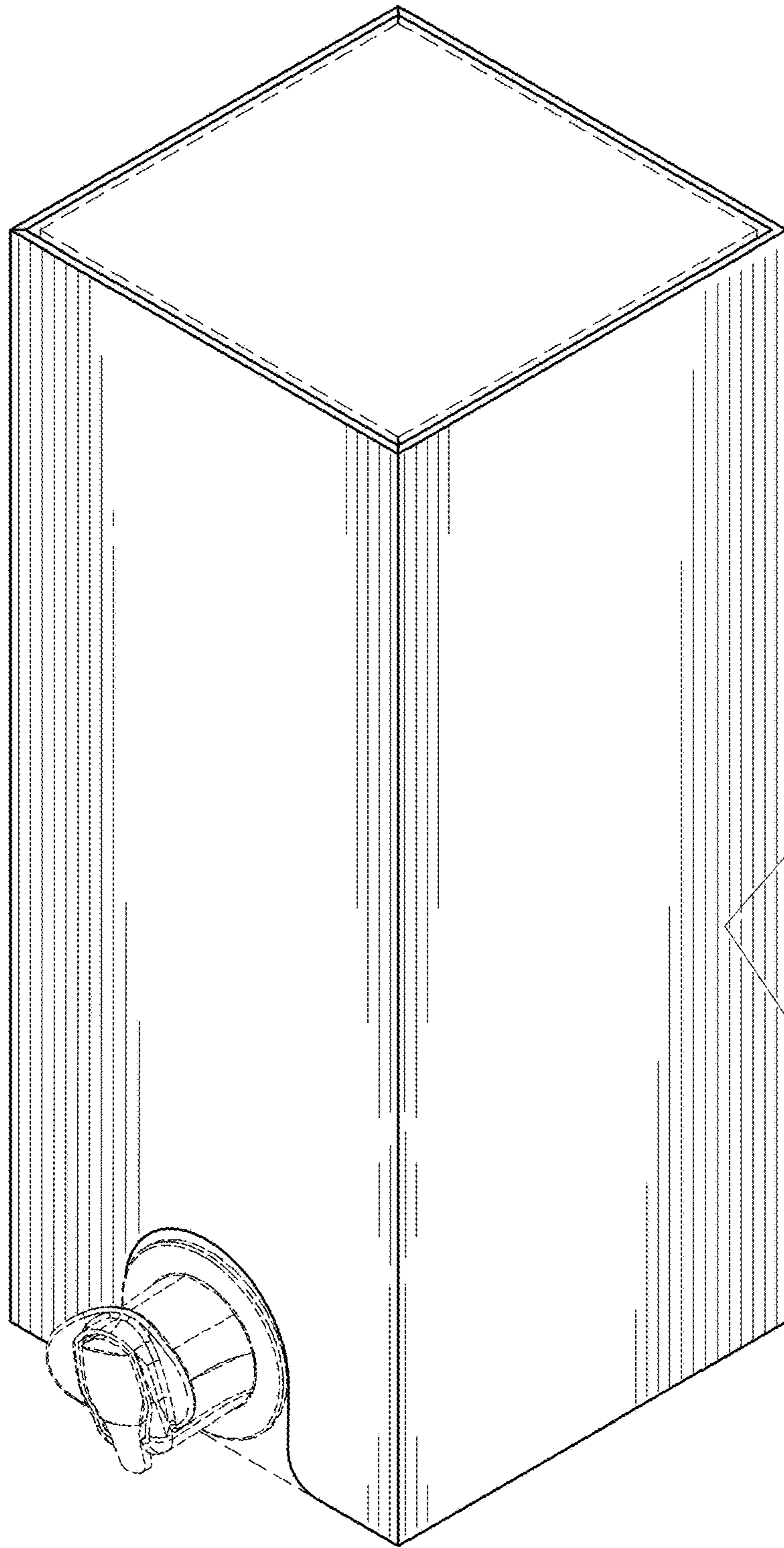


FIG. 10