



US00D830787S

(12) **United States Design Patent** (10) **Patent No.:** **US D830,787 S**
Petrillo et al. (45) **Date of Patent:** **** Oct. 16, 2018**

(54) **BEVERAGE HOLDER**

(71) Applicant: **YETI Coolers, LLC**, Austin, TX (US)

(72) Inventors: **Matthew Joseph Petrillo**, Austin, TX (US); **Mark Rane**, Austin, TX (US)

(73) Assignee: **YETI Coolers, LLC**, Austin, TX (US)

(**) Term: **15 Years**

(21) Appl. No.: **29/595,316**

(22) Filed: **Feb. 27, 2017**

(51) **LOC (11) Cl.** **09-03**

(52) **U.S. Cl.**
USPC **D7/624.2**

(58) **Field of Classification Search**
USPC D7/619.1-625, 603-608, 701-708, 509,
D7/523; D9/455, 772; D3/304-314
CPC B65D 81/3881; B65D 81/3886; B65D
81/3876; A47G 23/0241; A47G 23/0266;
A47G 19/2288; F25D 3/08
See application file for complete search history.

(56) **References Cited**

U.S. PATENT DOCUMENTS

D2,440 S	9/1866	Matthews, Jr.
604,514 A	5/1898	Belden
899,290 A	9/1908	Bricker et al.
1,133,420 A	3/1915	Young
D47,798 S	9/1915	Pick
2,029,429 A	2/1936	Koons
2,070,414 A	2/1937	Snell
D105,373 S	7/1937	Connor
2,088,387 A	7/1937	Rice, Jr. et al.
2,128,466 A	8/1938	Machotka
2,215,402 A	9/1940	McDonald
2,215,691 A	9/1940	East

(Continued)

FOREIGN PATENT DOCUMENTS

CN 3606899 2/2007
CN 202104668 U 1/2012

(Continued)

OTHER PUBLICATIONS

YETI Rambler Colster Beverage Holder. Online, published date unknown. Retrieved on Feb. 1, 2018 from URL: <https://kevinscatalog.com/yeti-colster-beverage-holder-44/1064>.*

(Continued)

Primary Examiner — Garth Rademaker

Assistant Examiner — Omeed Agilee

(74) *Attorney, Agent, or Firm* — Banner & Witcoff, Ltd.

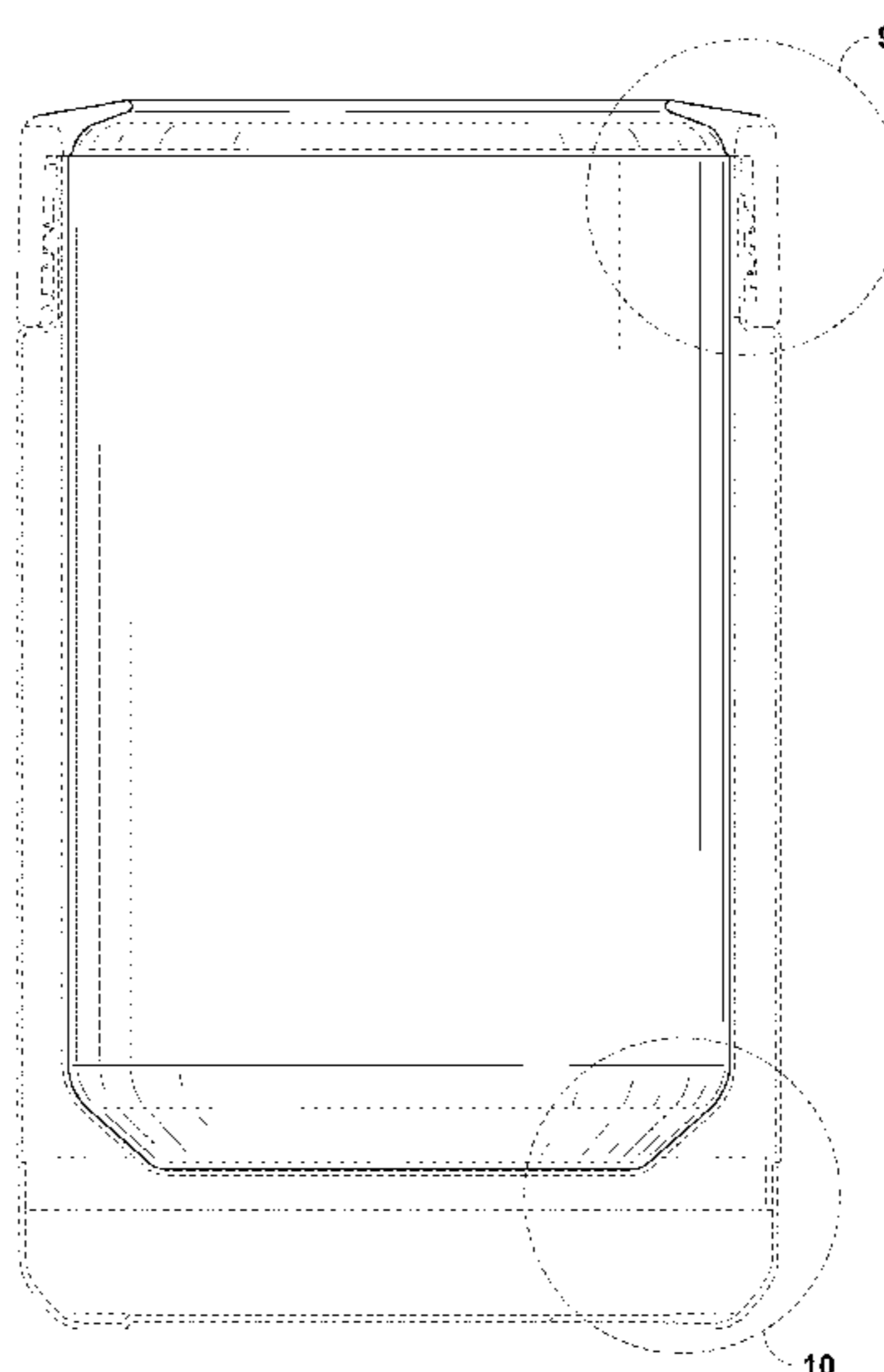
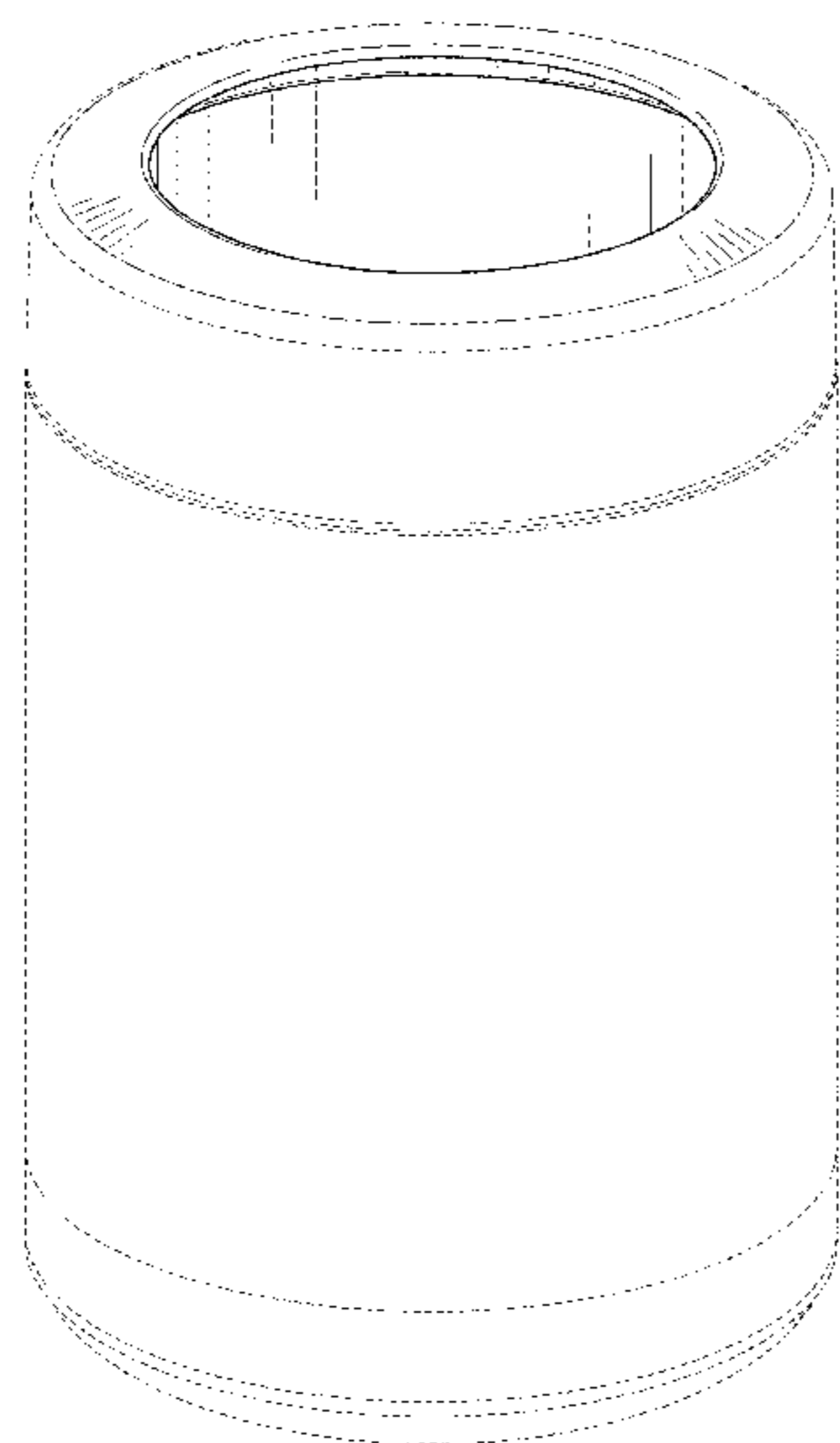
(57) **CLAIM**

The ornamental design for a beverage holder, as shown and described.

DESCRIPTION

FIG. 1 is a top, front perspective view of a beverage holder showing our new design;
FIG. 2 is a front view thereof;
FIG. 3 is a right side view thereof;
FIG. 4 is a rear view thereof;
FIG. 5 is a left side view thereof;
FIG. 6 is a top view thereof;
FIG. 7 is a bottom view thereof;
FIG. 8 is a cross sectional view, taken along line 8-8 in FIG. 6;
FIG. 9 is an enlarged view of the region identified by the number "9" in FIG. 8 thereof;
FIG. 10 is an enlarged view of the region identified by the number "10" in FIG. 8 thereof; and,
FIG. 11 is an alternate top, front perspective view thereof. The uneven-length broken lines represent unclaimed boundaries of the claimed design. The even-length broken lines depict portions of the beverage holder that form no part of the claimed design.

1 Claim, 10 Drawing Sheets



(56)

References Cited

U.S. PATENT DOCUMENTS

2,378,867 A	6/1945	Reichart		D324,976 S	3/1992	Katz	
2,484,608 A	10/1949	Cheyney		D327,093 S	6/1992	Evenson	
D177,559 S	5/1956	Emmert		D334,869 S	4/1993	Mills	
2,871,051 A	1/1959	Nesslein et al.		D337,029 S	7/1993	McKechnie	
D186,555 S	11/1959	Hunt		5,249,703 A	10/1993	Karp	
2,928,570 A	3/1960	Fitch		D345,676 S	4/1994	Biffle	
2,981,562 A	4/1961	Long		D352,210 S	11/1994	Cousins et al.	
3,128,029 A	4/1964	Price		5,390,804 A	2/1995	Beggins	
3,202,309 A	8/1965	Simpson		5,398,842 A	3/1995	Sokolski et al.	
3,206,210 A *	9/1965	Bard	A63F 7/40 473/588	5,400,907 A	3/1995	Chen	
				D357,387 S	4/1995	Davidson et al.	
3,261,633 A	7/1966	Sakuta		5,427,269 A	6/1995	Willbrandt	
3,342,370 A	9/1967	Johnson		5,433,337 A	7/1995	Willbrandt	
D209,308 S	11/1967	Schilling		D363,642 S	10/1995	Goto et al.	
3,353,729 A	11/1967	Hull		5,467,891 A	11/1995	Perry	
D209,533 S	12/1967	Cole		D366,186 S	1/1996	Kato	
D211,818 S	7/1968	Massey		D368,830 S	4/1996	Lu	
3,458,164 A	7/1969	Massey		D370,300 S	5/1996	Gottvald et al.	
3,463,140 A	8/1969	Rollor		5,531,353 A	7/1996	Ward et al.	
D217,781 S	6/1970	Stone		D372,839 S	8/1996	Laib	
3,571,940 A	3/1971	Bender		D375,870 S	11/1996	Stonehouse	
3,578,524 A	5/1971	Ignell		5,573,141 A	11/1996	Chen	
3,603,106 A *	9/1971	Ryan	A47G 19/2288 126/400	D377,741 S	2/1997	Bennett et al.	
				D379,738 S	6/1997	Liming et al.	
3,679,253 A	7/1972	Simms		D382,174 S	8/1997	Grimm	
3,682,352 A	8/1972	Doucette		5,655,805 A	8/1997	Shaddy	
3,730,383 A	5/1973	Dunn et al.		D384,557 S	10/1997	Gaza	
3,755,030 A *	8/1973	Doman	A47G 19/2288 156/73.5	D386,948 S	12/1997	Wissinger	
				D395,200 S	6/1998	Bidwell	
D229,006 S	11/1973	Sauey		D395,238 S	6/1998	Freitas	
3,979,011 A	9/1976	Schleicher		5,769,262 A	6/1998	Yamada et al.	
3,995,445 A	12/1976	Huskins		D395,825 S	7/1998	Freitas	
D246,029 S	10/1977	Lynn et al.		D396,381 S	7/1998	Chung	
4,120,073 A	10/1978	Studebaker		D396,605 S	8/1998	Benson	
4,127,915 A	12/1978	Logan et al.		5,788,298 A	8/1998	Cheng	
4,136,799 A	1/1979	Albert		5,799,369 A	9/1998	Schulein	
D251,175 S	2/1979	Logan et al.		5,816,631 A	10/1998	Kochan	
4,151,923 A	5/1979	Bemardi et al.		D402,766 S *	12/1998	Smith	D24/227
4,163,374 A	8/1979	Moore et al.		5,848,722 A	12/1998	Hanes	
4,183,226 A	1/1980	Moore		D404,974 S	2/1999	Kristinik	
D254,417 S	3/1980	DeMars et al.		D405,609 S	2/1999	Fu et al.	
D256,418 S	8/1980	Corbett		5,868,310 A	2/1999	Leszczynski	
4,253,630 A *	3/1981	Rigg	A42B 3/006 248/346.5	D408,689 S	4/1999	Kato	
				D412,806 S	8/1999	Pierce	
D258,795 S	4/1981	Zamorski		D416,444 S	11/1999	Jørgensen	
D263,581 S	3/1982	Kaye		D416,757 S	11/1999	Ginuntoli	
D265,159 S	6/1982	La Barbera		D417,589 S	12/1999	Parker	
D265,279 S	7/1982	Wright		D417,590 S	12/1999	Kato	
D265,880 S	8/1982	Craig		D417,593 S *	12/1999	Ruegg	D7/624.2
4,344,303 A	8/1982	Kelly, Jr.		D417,819 S	12/1999	Kelly-Pollet	
D266,391 S	10/1982	Jordon		6,050,443 A	4/2000	Tung	
D269,147 S	5/1983	Trombly		6,065,609 A	5/2000	Lake	
4,452,374 A	6/1984	Hitchcock et al.		6,065,632 A	5/2000	Moore, Jr.	
4,452,375 A	6/1984	Marcus		6,085,931 A	7/2000	Sadow	
4,456,134 A	6/1984	Cooper		D429,607 S	8/2000	Prim	
4,540,611 A	9/1985	Henderson		6,094,935 A *	8/2000	Stein	A47G 19/2288 62/457.3
D285,032 S	8/1986	Alonzo					
D286,604 S	11/1986	Bierlein et al.		6,102,458 A	8/2000	Scace	
D286,967 S	12/1986	Appel		6,135,312 A	10/2000	Chen et al.	
D288,766 S	3/1987	Tardif		D433,599 S	11/2000	Kristiansen et al.	
4,654,274 A	3/1987	DeMars		D433,876 S	11/2000	Freed	
D289,143 S	4/1987	Guillaume		6,149,028 A	11/2000	Yu	
D289,484 S	4/1987	Forquer et al.		6,161,720 A	12/2000	Castle	
4,715,633 A	12/1987	Brink et al.		D436,295 S	1/2001	Furman et al.	
4,720,023 A	1/1988	Jeff		D437,187 S	2/2001	Cheng	
4,746,028 A	5/1988	Bagg		6,216,909 B1	4/2001	Lin	
D298,200 S	10/1988	Block et al.		D442,833 S	5/2001	Shuman	
4,798,063 A	1/1989	Rimmer		6,237,801 B1	5/2001	Liu	
D300,495 S	4/1989	Minuti		6,241,415 B1	6/2001	Stark	
D301,821 S	6/1989	Bartolo		6,260,732 B1	7/2001	Khodush	
4,848,625 A	7/1989	Lucia		D446,687 S	8/2001	Furman et al.	
4,993,675 A	2/1991	Walker		6,332,557 B1	12/2001	Moran	
D318,428 S *	7/1991	Kowk	D9/455	6,352,168 B1	3/2002	Lin	
D322,753 S	12/1991	Sussman		6,352,235 B2	3/2002	Cizek	
D324,281 S	2/1992	Brussing		6,360,913 B1	3/2002	Bruinsma et al.	
				D455,052 S	4/2002	Gullickson et al.	
				D455,610 S	4/2002	Bridges	
				D455,612 S	4/2002	Gullickson et al.	
				D455,613 S	4/2002	Bruinsma et al.	

(56)

References Cited

U.S. PATENT DOCUMENTS

D456,578 S	4/2002	Smith et al.	D595,133 S	6/2009	Lewis
D457,245 S	5/2002	Royal et al.	D598,747 S	8/2009	Caldwell
D457,389 S	5/2002	Snell	D600,073 S	9/2009	Carreno
6,392,206 B1	5/2002	Von Arx et al.	7,581,704 B1	9/2009	Pugsley
D458,081 S	6/2002	Bodum	7,581,770 B2	9/2009	Jones
D460,895 S	7/2002	Lin	7,604,270 B1	10/2009	McCarthy
D462,879 S	9/2002	Martens	D608,133 S	1/2010	Choi
6,450,363 B1	9/2002	Lin	D609,534 S	2/2010	Traficante et al.
D463,715 S	10/2002	Dretzka	D610,176 S *	2/2010	Nagamine D15/138
D465,132 S	11/2002	Janky et al.	7,686,183 B2	3/2010	Ziegler
D466,371 S	12/2002	Parker	D613,554 S	4/2010	Koennecke
D466,814 S	12/2002	Hurlburt	D615,366 S	5/2010	Berezansky
D470,724 S	2/2003	Basara	D615,817 S	5/2010	George
D471,064 S	3/2003	Renz	D616,248 S	5/2010	George
D471,763 S	3/2003	Hurlburt et al.	D617,608 S	6/2010	Yang et al.
D472,101 S	3/2003	Janky	D617,640 S	6/2010	Jones
D474,651 S	5/2003	Ward	D618,964 S	7/2010	Eisenhardt
6,557,751 B2	5/2003	Puerini	D622,548 S	8/2010	Jensen et al.
D476,193 S	6/2003	Janky	D622,554 S	8/2010	Carreno
D476,528 S	7/2003	Janky et al.	D626,414 S	11/2010	Cresswell et al.
D477,185 S	7/2003	Janky	D629,657 S	12/2010	Carreno
6,588,064 B2	7/2003	Baum	D629,691 S	12/2010	Cresswell et al.
6,626,326 B2	9/2003	Murakami	D631,699 S	2/2011	Moreau
D483,165 S	12/2003	Dretzka	D635,400 S	4/2011	Snyder
D483,610 S	12/2003	Kerman	D636,640 S	4/2011	Latham
D483,995 S	12/2003	Otake	D641,591 S	7/2011	Tsukida
D484,361 S	12/2003	Jeung	D643,289 S	8/2011	Harlan
6,658,701 B1	12/2003	DeHart et al.	D648,599 S	11/2011	Watanabe et al.
D488,673 S	4/2004	Farce	D652,256 S	1/2012	Eyal
D489,574 S	5/2004	Copeland	D653,082 S	1/2012	George
D490,274 S	5/2004	Irvine	D655,134 S	3/2012	Gilbert
6,729,665 B1	5/2004	Posey et al.	D656,361 S	3/2012	Gilbert
D493,068 S	7/2004	Slater et al.	D658,922 S	5/2012	Fallon et al.
D497,778 S	11/2004	Rich	D659,474 S	5/2012	Wahl et al.
6,864,462 B2	3/2005	Sanoner et al.	D660,082 S	5/2012	Wahl
6,962,265 B1	11/2005	Zhang	D660,084 S	5/2012	Gilbert
D512,272 S	12/2005	Avrish	D660,655 S	5/2012	Wahl et al.
D512,275 S	12/2005	Kent-Fawkes	D663,169 S	7/2012	Beggins et al.
6,979,031 B2	12/2005	Coppotelli et al.	D664,001 S	7/2012	Liu
D524,607 S	7/2006	Kent-Fawkes	8,225,957 B1	7/2012	Volan
D527,222 S	8/2006	Liu	D665,491 S *	8/2012	Goel D15/144
D530,852 S	10/2006	Zheng	D666,061 S	8/2012	Ying
D533,748 S	12/2006	Bresler	8,251,247 B1	8/2012	Breckner
D534,396 S	1/2007	Kramer	D669,735 S	10/2012	Wong
D537,676 S	3/2007	Kingsley	D670,525 S	11/2012	Fallon et al.
D537,677 S	3/2007	Bresler	D675,063 S	1/2013	Wahl
7,195,137 B2	3/2007	Belcastro	D675,066 S	1/2013	Conlin et al.
D540,124 S	4/2007	Ross	D675,100 S	1/2013	Herbst
7,207,538 B2	4/2007	Kent-Fawkes	8,364,542 B2	1/2013	Grael et al.
D548,012 S	8/2007	Tien	D679,949 S	4/2013	Meritt
D552,932 S	10/2007	Carlson	D679,960 S	4/2013	Hopkins et al.
D553,440 S	10/2007	Bodum	D680,375 S	4/2013	Pousard et al.
7,284,777 B1	10/2007	Kraemer	D680,387 S	4/2013	Hopkins et al.
D557,567 S	12/2007	Gronikowski et al.	D682,625 S	5/2013	Lane
D561,590 S	2/2008	Kingsley	D682,626 S	5/2013	Lane
D562,072 S	2/2008	Wahl	D684,459 S	6/2013	Stowe et al.
D565,901 S	4/2008	Edelstein et al.	D685,231 S	7/2013	Lane
D566,471 S	4/2008	Bodum	8,499,951 B1	8/2013	McDonald et al.
D568,685 S	5/2008	Bodum	D693,176 S	11/2013	Kaiser
D569,183 S	5/2008	Blake	D693,649 S	11/2013	Yeung
H2217 H	6/2008	Smay et al.	D694,112 S	11/2013	Brown
D572,136 S	7/2008	Boni	D695,138 S	12/2013	Ball
D573,390 S	7/2008	Ablo	8,608,019 B2	12/2013	Wren
D577,260 S	9/2008	Bodum	D698,200 S	1/2014	Lauwagie
D585,245 S	1/2009	Brouillette	8,684,430 B1	4/2014	Brandon
D587,523 S	3/2009	Moon	D705,012 S	5/2014	Lapsker
D587,967 S	3/2009	Wahl	D709,737 S	7/2014	Weinert et al.
D588,912 S	3/2009	Christensen et al.	D709,738 S	7/2014	Weinert et al.
D592,015 S	5/2009	Carpenter	D710,155 S	8/2014	Tatsukawa
D592,058 S	5/2009	Rapaport	D711,684 S	8/2014	Perdomo
7,527,310 B2	5/2009	Shaskey, Sr.	D712,701 S	9/2014	Boroski
D593,372 S	6/2009	Carreno	D713,686 S	9/2014	Eyal
D593,811 S	6/2009	Carreno	D715,101 S	10/2014	Grcic
D593,859 S	6/2009	Barnum	D717,605 S	11/2014	Kristinik
D594,687 S	6/2009	Bodum	D717,606 S	11/2014	Kristinik
			D719,785 S	12/2014	Grcic
			D719,788 S	12/2014	Soltz et al.
			D720,187 S	12/2014	Romley
			8,899,644 B2	12/2014	Hancey

(56)

References Cited

U.S. PATENT DOCUMENTS

8,919,603 B2 12/2014 Greene
 D721,250 S 1/2015 Chen et al.
 D721,546 S 1/2015 Davidson
 D724,385 S 3/2015 Hurley et al.
 D727,688 S 4/2015 Hewitt et al.
 D728,311 S 5/2015 Eyal
 D728,314 S 5/2015 Carstensen et al.
 D729,581 S 5/2015 Boroski
 9,021,662 B1 5/2015 Jones
 9,038,850 B1 5/2015 Wilson
 D731,251 S 6/2015 Lane
 D732,338 S 6/2015 Boroski
 D732,343 S 6/2015 Romley
 D732,347 S 6/2015 Katterheinrich et al.
 D734,096 S 7/2015 George et al.
 D740,073 S 10/2015 Zorovich et al.
 D740,077 S 10/2015 Strepkoff
 D740,618 S 10/2015 Knoll
 D743,207 S 11/2015 Pendleton et al.
 D747,929 S 1/2016 Arseneau et al.
 D752,397 S 3/2016 Seiders et al.
 D754,536 S * 4/2016 Arriaga D9/436
 D764,870 S 8/2016 Choi
 D766,661 S 9/2016 Bodum
 D773,250 S 12/2016 Miller
 D779,285 S 2/2017 Seiders et al.
 D779,891 S 2/2017 Seiders et al.
 D779,892 S 2/2017 Seiders et al.
 D780,527 S 3/2017 Salama
 D780,530 S 3/2017 Seiders et al.
 D780,531 S 3/2017 Seiders et al.
 D780,532 S 3/2017 Seiders et al.
 D780,533 S 3/2017 Seiders et al.
 D784,137 S 4/2017 Cates
 D786,023 S 5/2017 Polack et al.
 D786,025 S 5/2017 Seiders et al.
 D787,893 S * 5/2017 Seiders D7/608
 D793,172 S * 8/2017 Medina D7/624.2
 D799,906 S * 10/2017 Seiders D7/608
 D801,753 S * 11/2017 Piper D7/624.2
 D803,001 S 11/2017 Bodum
 D804,556 S * 12/2017 Harada D15/144.1
 D807,125 S * 1/2018 Seiders D7/608
 D808,733 S * 1/2018 Spivey D7/608
 2002/0066758 A1 6/2002 Fadal et al.
 2004/0080930 A1 4/2004 Winters et al.
 2004/0187265 A1 9/2004 Ho
 2005/0218109 A1 10/2005 Semersky et al.
 2006/0175506 A1 8/2006 Lan
 2007/0295738 A1 12/2007 Hussain
 2008/0012368 A1 1/2008 Kent-Fawkes
 2008/0023434 A1 1/2008 Takayama
 2008/0101056 A1 5/2008 Bhavnani
 2009/0008399 A1 1/2009 Mayled et al.
 2009/0065469 A1 3/2009 McClellan et al.
 2009/0200322 A1 8/2009 Hunter
 2011/0204017 A1 8/2011 O'Sullivan
 2011/0233219 A1 9/2011 Proskey
 2012/0074155 A1 3/2012 Yeung
 2012/0261408 A1 10/2012 White
 2013/0098932 A1 4/2013 Hunt
 2013/0186849 A1 7/2013 Iwashita
 2015/0041480 A1 2/2015 Ramsey
 2015/0108150 A1 4/2015 Garcia
 2015/0108152 A1 4/2015 Franzen et al.
 2015/0164256 A1 6/2015 Helton
 2015/0291316 A1 10/2015 Fietz
 2016/0318692 A1 11/2016 Wilson

FOREIGN PATENT DOCUMENTS

CN 202891397 U 4/2013
 CN 303263048 7/2015
 EM 000564778-0001 8/2006
 EM 001360911-0001 3/2013

EM 004374155-0003 * 9/2017
 GB 3024951 7/2006
 IN 250749-0001 8/2013
 JP 1219538 10/2004
 JP 1370441 10/2009
 JP D2016-4373 * 2/2016
 KR 300840850 2/2016
 WO 0162614 A1 8/2001
 WO 2006048119 A1 5/2006
 WO 2011022857 A2 3/2011
 WO 2012064184 A1 5/2012
 WO 2013163725 A1 11/2013

OTHER PUBLICATIONS

United States District Court Western District of Texas Austin Division, "Plaintiffs' Complaint for Damages and Injunctive Relief," *YETI Coolers, LLC v. Seth Stevens d/b/a SDS Marketing d/b/a Eskimo Coolers, Panther Group LLC d/b/a Eskimo Coolers, Panther Group Sales, LLC d/b/a Eskimo Coolers, and Silver Fox Sales, LLC*, Case 1:17-cv-00423, Document 1, filed May 5, 2017, 77 pages.
 United States District Court Western District of Texas Austin Division, "Second Amended Complaint," *YETI Coolers, LLC v. Sam's West, Inc., and Sam's East, Inc., and CY Top, Ltd.*, Case: 1:16-cv-00829-RP, Document #51, filed Sep. 22, 2017, 49 pages.
 United States District Court Western District of Texas Austin Division, "Complaint," *YETI Coolers, LLC v. Bonanza. com, Inc.*, Case: 1:17-cv-00935, Document #1, filed Sep. 28, 2017, 142 pages.
 United States District Court Western District of Texas Austin Division, "Complaint," *YETI Coolers, LLC v. Alibaba Group Holding Limited, Alibaba (China) Technology Co., Ltd., Alibaba.com Hong Kong Limited, Alibaba.com Singapore E-Commerce Private Limited, Hangzhou Alibaba Advertising Co. Ltd., and Huizhou Dashu Trading Co., Ltd.*, Case: 1:17-cv-00936, Document #1, filed Sep. 28, 2017, 272 pages.
 United States District Court Western District of Texas Austin Division, "Complaint," *YETI Coolers, LLC v. ContextLogic, Inc. d/b/a Wish.com*, Case: 1:17-cv-00937, Document #1, filed Sep. 28, 2017, 238 pages.
 United States District Court Western District of Texas Austin Division, "Complaint," *YETI Coolers, LLC v. Dunhuang Group, SZ Flowerfairy Technology Co., Ltd., Tan Er Pa Technology Co., Ltd., Shenzhen Great Electronic Technology Co., Ltd., and Huagong Trading Co.*, Case: 1:17-cv-00938, Document #1, filed Sep. 28, 2017, 272 pages.
 United States International Trade Commission of Washington, DC, "Complaint Under Section 337 of the Tariff Act of 1930, as Amended," *YETI Coolers, LLC vs. Alibaba (China) Technology Co., Ltd., Alibaba Group Holding Limited, Alibaba.com Hong Kong Limited, Alibaba.com Singapore E-Commerce Private Limited, Bonanza. com, Inc., ContextLogic, Inc. d/b/a Wish, Dunhuang Group, Hangzhou Alibaba Advertising Co. Ltd., Huizhou Dashu Trading Co., Ltd., Huagong Trading Co., and Tan Er Pa Technology Co., Ltd.*, Case: 337-TA-3261, filed Sep. 28, 2017, 191.
 United States District Court Western District of Texas Austin Division, "Complaint," *YETI Coolers, LLC v. Wal-Mart Stores, Inc.*, Case: 1:17-cv-01145, Document #1, filed Dec. 8, 2017, 98 pages.
 "Tervis Tumbler Black 24oz. Handle." Amazon.com. Accessed Aug. 31, 2016. Available online at URL: <<https://www.amazon.com/Tervis-Tumbler-Black-24oz-Handle/dp/B004VVHORG>>.
 "Spare Parts for Those Mugs or Tumblers with No Handles." Accessed Aug. 31, 2016. Available online at URL: <https://www.etsy.com/listing/255089724/parts-parts-parts-mug-or-tumbler-metal?ga_order=most_relevant&ga_search_type=all&ga_view_type=gallery&ga_search_query=metal+handled+mugs&ref=sr_gallery_8>.
 Pictures of Great American Products Tumbler, published date unknown, but prior to the filing date of the present application.
 Photographic image of YETI 30oz Rambler Tumbler, published date unknown, but prior to the filing date of the present application.

(56)

References Cited

OTHER PUBLICATIONS

Second photographic image of YETI 30oz Rambler Tumbler, published date unknown, but prior to the filing date of the present application.

Promotional Items, Inc., “Stainless Steel 14oz. Deluxe Coffee Insulated Tumbler Lid”, retrieved from <http://www.promotional-items-inc.com/catalog/stainless_steel_18oz_commuter_coffee_mug_lid.html> on Aug. 27, 2015.

The Product Farm, “BeerNStein Rocks Tumbler Lid—Blue”, retrieved from <<http://store.theproductfarm.com/beerstein-rocks-tumbler-lid-blue/>> on Aug. 27, 2015.

Hit Promotional Products, “24 Oz. Biggie Tumbler with Lid”, retrieved from <<http://www.hitpromo.net/product/show/5853/24-oz-biggie-tumbler-with-lid>> on Aug. 27, 2015.

The Alexon Group, “16 Oz. Stainless Steel Travel Mug with Slide Action Lid and Plastic Inner Liner”, retrieved from <<https://alexongroup.com/16-oz-stainless-steel-travel-mug-with-slide-action-lid-and-plastic-inner-liner>> on Aug. 27, 2015.

Photo USA Electronic Graphic Inc., “17fl oz Personalised Travel Mug (Plastic Insert and Metal Shell, Reverse Screw)”, retrieved from <<http://www.meikeda.com/stainless-steel-mug/item/15-oz-personalised-travel-mug.html>> on Aug. 27, 2015.

Promo Industrial Co., Limited, “16 Oz. Blue Bullet Travel Mug W/ Handle”, retrieved from <http://www.oempromo.com/Bottle-cup-and-mug/Mugs/index_73.htm> on Aug. 27, 2015.

“YETI Rambler 20 and 30 oz”, published on Apr. 19, 2014, retrieved from <https://web.archive.org/web/20140419041951/http://yeticoolers.com/rambler-tumblers/> on Sep. 2, 2015.

Photographic image of YETI 20oz Rambler Tumbler, published date unknown, but prior to the filing date of the present application.

United States District Court Western District of Texas Austin Division, “Plaintiff YETI Coolers, LLC’s Original Complaint,” *YETI Coolers, LLC v. Ontel Products Corporation and World Pack USA, LLC*, Case: 1:17-cv-00091-RP, Document #1, filed Feb. 8, 2017, 65 pages.

Snow Peak H860, posted by copperbrier at YouTube.com [online], posted on Nov. 13, 2013. Available on the Internet, <URL: <https://youtu.be/rotGiNY6ms>>.

Snow Peak 450ml, posted by keegansreviews at YouTube.com [online], posted on Jun. 5, 2015. Available on the Internet, <URL: <https://youtu.be/S9dSBijmxsM>>.

United States District Court Western District of Texas Austin Division, “Complaint,” *YETI Coolers, LLC v. Wadley Holdings, LLC d/b/a Meadowcraft, and Southern Sales & Marketing Group, Inc. d/b/a nICE*, Case 1:17-cv-00421, Document 1, filed May 5, 2017, 121 pages.

United States District Court Western District of Texas Austin Division, “Complaint,” *YETI Coolers, LLC v. JDS Industries, Inc., Lionel Laundry Jr., d/b/a Accolades Awards & Engraving, Creating and Fast LLC d/b/a Promotional Products San Antonio, Kelly Scoggins d/b/a King Engraving, Jamey Z. Apps d/b/a Roberts Trophies, and Eagle Media, Inc.*, Case 1:17-cv-00424, Document 1, filed May 5, 2017, 62 pages.

United States District Court Western District of Texas Austin Division, “Complaint,” *YETI Coolers, LLC v. Glacier Coolers, LLC, and Tecomate Holdings, LLC*, Case 1:17-cv-00586, Document 1, filed Jun. 15, 2017, 161 pages.

United States District Court Western District of Texas Austin Division, “Complaint,” *YETI Coolers, LLC v. Gametime Sidekicks, LLC*, Case 1:17-cv-00413, Document 1, filed May 5, 2017, 107 pages.

United States District Court Western District of Texas Austin Division, “Complaint,” *YETI Coolers, LLC v. Kodiak Coolers, LLC and Flexible Automation LLC*, Case 1:17-cv-00422, Document 1, filed May 5, 2017, 51 pages.

United States District Court Western District of Texas Austin Division, “Complaint,” *YETI Coolers, LLC v. Gourmet Home Products, LLC*, Case: 1:17-cv-00533, Document #1, filed Jun. 2, 2017, 25 pages.

United States District Court Western District of Texas Austin Division, “Complaint,” *YETI Coolers, LLC v. Godinger Silver Art, Ltd., Cathy’s Concepts, Inc., Viatek Consumer Products Group, Inc.*, Case: 1:17-cv-00467, Document #1, filed May 16, 2017, 22 pages.

United States District Court Western District of Texas Austin Division, “Complaint,” *YETI Coolers, LLC v. Vickery Products, LLC d/b/a Axis Cups, f/d/b/a Frio Cups*, Case: 1:17-cv-00260, Document #1, filed Mar. 24, 2017, 52 pages.

United States District Court Western District of Texas Austin Division, “Complaint,” *YETI Coolers, LLC v. Jennifer Leverne Bootz Evans d/b/a Bling and Burlap Buy In’s and Blanks*, Case: 1:15-cv-00995, Document #1, filed Nov. 2, 2015, 128 pages.

United States District Court Western District of Texas Austin Division, “Order,” *YETI Coolers, LLC v. Jennifer Leveve Bootz Evans d/b/a Bling and Burlap Buy In’s and Blanks*, Case: 1:15-cv-00995-RP, Document #18, filed Apr. 18, 2016, 1 page.

United States District Court Western District of Texas Austin Division, “Complaint,” *YETI Coolers, LLC v. Magnum Solace LLC*, Case: 1:16-cv-00663-RP, Document #1, filed Jun. 7, 2016, 24 pages.

United States District Court Western District of Texas Austin Division, “Defendant’s Rule 12(B)(6) Motion to Dismiss For Failure to State a Claim,” *YETI Coolers, LLC v. Magnum Solace LLC*, Case: 1:16-cv-00663-RP, Document #10, filed Aug. 5, 2016, 30 pages.

United States District Court Western District of Texas Austin Division, “Defendant’s Answer,” *YETI Coolers, LLC v. Magnum Solace LLC*, Case: 1:16-cv-00663-RP, Document #34, filed Apr. 13, 2017, 7 pages.

United States District Court Western District of Texas Austin Division, “Defendant’s Answer to Plaintiff’s Complaint and Affirmative Defenses,” *YETI Coolers, LLC v. MyCrew, LLC, MyCrew Drinkware, LLC and NNRiverLife, LLC*, Case: 1:16-cv-01008-RP, Document #14, filed Nov. 29, 2016, 12 pages.

United States District Court Western District of Texas Austin Division, “Complaint,” *YETI Coolers, LLC v. MyCrew, LLC, MyCrew Drinkware, LLC and NNRiverLife, LLC*, Case: 1:16-cv-01008, Document #1, filed Aug. 26, 2016, 29 pages.

United States District Court Western District of Texas Austin Division, “RTIC Drinkware’s First Amended Complaint for Declaratory Judgment,” *RTIC Drinkware, LLC v. YETI Coolers, LLC*, Case: 1:16-cv-00907-RP, Document #52, filed Nov. 14, 2016, 124 pages.

United States District Court Western District of Texas Austin Division, “YETI Coolers, LLC’s Answer to RTIC Drinkware’s First Amended Complaint,” *RTIC Drinkware, LLC v. YETI Coolers, LLC*, Case: 1:16-cv-00907-RP, Document #58, filed Dec. 1, 2016, 15 pages.

United States District Court for the Southern District of Texas Houston Division, “RTIC Drinkware’s Original Complaint for Declaratory Judgment, Damages, and Injunctive Relief,” *RTIC Drinkware, LLC v. YETI Coolers, LLC*, Case: 4:16-cv-01201, Document #1, filed May 2, 2016, 58 pages.

United States District Court Western District of Texas Austin Division, “Order,” *RTIC Drinkware, LLC v. YETI Coolers, LLC*, Case: 1:16-cv-00907-RP, Document #47, filed Oct. 13, 2016, 3 pages.

United States District Court Western District of Texas Austin Division, “Defendant RTIC Drinkware, LLC, RTIC Web Services, LLC, Corporate Support & Fulfillment, LLC, John Jacobsen, and James Jacobsen’s Answer and Counterclaims to YETI’s First Amended Complaint for Damages and Injunctive Relief,” *YETI Coolers, LLC v. RTIC Coolers, LLC, RTIC Drinkware, LLC, RTIC Web Services, LLC, Corporate Support & Fulfillment, LLC; John Jacobsen; and James Jacobsen*, Case: 1:16-cv-00264-RP, Document #25, filed Jun. 13, 2016, 42 pages.

United States District Court Western District of Texas Austin Division, “Complaint,” *YETI Coolers, LLC v. RTIC Coolers, LLC*, Case: 1:16-cv-00264, Document #1, filed Mar. 2, 2016, 34 pages.

United States District Court Western District of Texas Austin Division, “YETI Coolers, LLC’s Answer to RTIC Drinkware, LLC’s, RTIC Web Services, LLC’s, Corporate Support & Fulfillment, LLC’s, John Jacobsen’s, and James Jacobsen’s Counterclaims,” *YETI Coolers, LLC v. RTIC Coolers, LLC, RTIC Drinkware,*

(56)

References Cited

OTHER PUBLICATIONS

LLC, RTIC Web Services, LLC, Corporate Support & Fulfillment, LLC, John Jacobsen, and James Jacobsen, Case: 1:16-cv-00264-RP, Document #31, filed Jul. 7, 2016, 7 pages.

United States District Court Western District of Texas Austin Division, “Answer,” *YETI Coolers, LLC v. Tree Leaf Marketing, LLC d/b/a Big Frig*, Case: 1:16-cv-00699-RP, Document #11, Oct. 21, 2016, 8 pages.

United States District Court Western District of Texas Austin Division, “Complaint,” *YETI Coolers, LLC v. Tree Leaf Marketing, LLC d/b/a Big Frig*, Case: 1:16-cv-00699, Document #1, Jun. 17, 2016, 33 pages.

United States District Court Western District of Texas Austin Division, “Complaint,” *YETI Coolers, LLC v. Vickery Products, LLC d/b/a Axis Cups, f/d/b/a Frio Cups*, Case: 1:17-cv-00260, Document #1, Mar. 24, 2017, 52 pages.

United States District Court Western District of Texas Austin Division, “First Amended Complaint,” *YETI Coolers, LLC v. Wal-Mart Stores, Inc. and Olympia Tools International, Inc.*, Case: 1:16-cv-00454-RP, Document #17, May 24, 2016, 26 pages.

United States District Court Western District of Texas Austin Division, “Complaint,” *YETI Coolers, LLC v. Wal-Mart Stores, Inc.*, Case: 1:16-cv-00454, Document #1, Apr. 8, 2016, 29 pages.

United States District Court Western District of Texas Austin Division, “Olympia Tools International, Inc.’s Answer to YETI Coolers, LLC’s First Amended Complaint,” *YETI Coolers, LLC v. Wal-Mart Stores, Inc. and Olympia Tools International, Inc.*, Case: 1:16-cv-00454-RP, Document #28, Jul. 14, 2016, 12 pages.

United States District Court Western District of Texas Austin Division, “Wal-Mart Stores, Inc.’s Answer to First Amended Complaint,” *YETI Coolers, LLC v. Wal-Mart Stores, Inc. and Olympia Tools International, Inc.*, Case: 1:16-cv-00454-RP, Document #22, Jun. 7, 2016, 13 pages.

United States District Court Western District of Texas Austin Division, “Defendant Kelly Scoggins d/b/a King Engraving’s Memorandum in Support of Rule 12(b)(6) Motion to Dismiss and Motion to Take Judicial Notice,” *YETI Coolers, LLC v. JDS Industries, Inc., Lionel Landry Jr., d/b/a Accolades d/b/a Accolades Awards & Engraving, Creative and Fast LLC d/b/a Promotional Products San Antonio, Kelly Scoggins d/b/a King Engraving*, Case: 1:17-cv-00424-RP, Document #65, filed Aug. 11, 2017, 28 pages.

United States District Court Western District of Texas Austin Division, “Defendant Kelly Scoggins d/b/a King Engraving’s Reply in Support of Rule 12(b)(6) Motion to Dismiss,” *YETI Coolers, LLC v. JDS Industries, Inc., Lionel Landry Jr., d/b/a Accolades d/b/a Accolades Awards & Engraving, Creative and Fast LLC d/b/a Promotional Products San Antonio, Kelly Scoggins d/b/a King Engraving*, Case: 1:17-cv-00424-RP, Document #75, filed Sep. 1, 2017, 26 pages.

“YETI Press Release—Rambler Colster”, published on Jan. 8, 2015, retrieved from <<http://yeti.com/press-releases/rambler-colster>> on Mar. 27, 2017.

“Hooler the handheld cooler”, published on Apr. 12, 2014, retrieved from <https://web.archive.org/web/20140412062054/http://www.hoolercooler.com/> on Aug. 4, 2015.

United States District Court Western District of Texas Austin Division, “Complaint for Damages and Injunctive Relief,” *YETI Coolers, LLC v. Jennifer Leverne Bootz Evans d/b/a Bling and Burlap Buy In’s and Blanks*, Case: 1:15-cv-00995, Document #1, filed Nov. 2, 2015, 128 pages.

United States District Court Western District of Texas Austin Division, “Order Dismissing Case,” *YETI Coolers, LLC v. Jennifer Leverne Bootz Evans d/b/a Bling and Burlap Buy In’s and Blanks*, Case: 1:15-cv-00995-RP, Document #18, filed Apr. 18, 2016, 1 page.

United States District Court Western District of Texas Austin Division, “Complaint for Damages and Injunctive Relief,” *YETI Coolers, LLC v. RTIC Coolers, LLC*, Case: 1:16-cv-00264, Document #1, filed Mar. 2, 2016, 34 pages.

United States District Court Western District of Texas Austin Division, “Defendants’ Answer and Counterclaims to YETI’s First Amended Complaint for Damages and Injunctive Relief,” *YETI Coolers, LLC v. RTIC Coolers, LLC, RTIC Drinkware, LLC, RTIC Web Services, LLC, Corporate Support & Fulfillment, LLC, John Jacobsen, and James Jacobsen*, Case: 1:16-cv-00264-RP, Document #25, filed Jun. 13, 2016, 42 pages.

United States District Court Western District of Texas Austin Division, “Complaint for Damages and Injunctive Relief,” *YETI Coolers, LLC v. Tree Leaf Marketing, LLC, d/b/a Big Frig*, Case: 1:16-cv-00699, Document #1, filed Jun. 17, 2016, 33 pages.

United States District Court Western District of Texas Austin Division, “Complaint for Damages and Injunctive Relief,” *YETI Coolers, LLC v. Wal-Mart Stores, Inc.*, Case: 1:16-cv-00454, Document #1, filed Apr. 8, 2016, 29 pages.

United States District Court Western District of Texas Austin Division, “Joint Rule 26(f) Report and Discovery Plan,” *YETI Coolers, LLC v. Wal-Mart Stores, Inc. and Olympia Tools International, Inc.*, Case: 1:16-cv-00454-RP, Document 129, filed Jul. 28, 2016, 8 pages.

United States District Court Western District of Texas Austin Division, “Olympia Tools International, Inc.’s Answer to YETI Coolers, LLC’s First Amended Complaint,” *YETI Coolers, LLC v. Wal-Mart Stores, Inc. and Olympia Tools International, Inc.*, Case: 1:16-cv-00454-RP, Document #28, filed Jul. 14, 2016, 12 pages.

United States District Court Western District of Texas Austin Division, “Wal-Mart Stores, Inc.’s Answer to First Amended Complaint,” *YETI Coolers, LLC v. Wal-Mart Stores, Inc. and Olympia Tools International, Inc.*, Case: 1:16-cv-00454-RP, Document #22, filed Jun. 7, 2016, 13 pages.

United States District Court Western District of Texas Austin Division, “First Amended Complaint for Damages and Injunctive Relief,” *YETI Coolers, LLC v. Wal-Mart Stores, Inc. and Olympia Tools International, Inc.*, Case: 1:16-cv-00454-RP, Document #17, filed May 24, 2016, 26 pages.

“Siskiyou Sports CCS48F Oklahoma Sooners Flame Can Cooler”, published on Jul. 9, 2014, retrieved from <<http://www.sears.com/siskiyou-sports-ccs48f-oklahoma-sooners-flame-can-cooler/p-SPM7376348303>> on Sep. 16, 2016.

“Stainless Steel Can Cooler”, published on Apr. 6, 2014, retrieved from <<http://www.belpromo.com/nd/detail.php?c=34&p=KZSS001&s=mvp23g56>> on Sep. 22, 2016.

“Stanley Vacuum Insulated Container—Thermos bottle”, published on Feb. 24, 2012, retrieved from <<https://www.youtube.com/watch?v=UCMjqZiNU3o>> on Sep. 23, 2016.

United States District Court Western District of Texas Austin Division, “Complaint for Damages and Injunctive Relief,” *YETI Coolers, LLC v. Magnum Solace LLC*, Case: 1:16-cv-00663-RP, Document #1, filed Jun. 7, 2016, 24 pages.

United States District Court Western District of Texas Austin Division, “Joint Rule 26(f) Report and Discovery Plan,” *YETI Coolers, LLC v. RTIC Coolers, LLC, RTIC Drinkware, LLC, RTIC Web Services, LLC, Corporate Support & Fulfillment, LLC, John Jacobsen, and James Jacobsen*, Case: 1:16-cv-00264-RP, Document #26, filed Jun. 23, 2016, 7 pages.

United States District Court Western District of Texas Austin Division, “Defendant’s Rule 12(B)(6) Motion to Dismiss,” *YETI Coolers, LLC v. Magnum Solace LLC*, Case: 1:16-cv-00663-RP, Document #10, filed Aug. 5, 2016, 30 pages.

United States District Court Western District of Texas Austin Division, “YETI’s Opposition to Defendant’s Motion to Dismiss,” *YETI Coolers, LLC v. Magnum Solace LLC*, Case: 1:16-cv-00663-RP, Document #12, filed Aug. 19, 2016, 47 pages.

United States District Court Western District of Texas Austin Division, “Complaint for Damages and Injunctive Relief,” *YETI Coolers, LLC v. MyCrew, LLC, MyCrew Drinkware, LLC, and NNRiverLife, LLC*, Case: 1:16-cv-01008, Document #1, filed Aug. 26, 2016, 29 pages.

United States District Court Western District of Texas Austin Division, “Defendant’s Reply in Support of its Rule 12(B)(6) Motion to Dismiss,” *YETI Coolers, LLC v. Magnum Solace LLC*, Case: 1:16-cv-00663-RP, Document #13, filed Aug. 29, 2016, 18 pages.

(56)

References Cited

OTHER PUBLICATIONS

United States District Court Western District of Texas Austin Division, “YETI’s Supplemental Brief in Opposition to Magnum’s Motion to Dismiss,” *YETI Coolers, LLC v. Magnum Solace LLC*, Case: 1:16-cv-00663-RP, Document #16, filed Sep. 27, 2016, 7 pages.

United States District Court Western District of Texas Austin Division, “YETI’s Opposition to Magnum’s Motion for a Protective Order and Stay of Discovery,” *YETI Coolers, LLC v. Magnum Solace LLC*, Case: 1:16-cv-00663-RP, Document #20, filed Oct. 11, 2016, 16 pages.

English translation of Office Action dated Oct. 18, 2016 for JP Application No. 2016-004373, 3 pages.

United States District Court Western District of Texas Austin Division, “Complaint,” *YETI Coolers, LLC v. Imagen Brands, LLC, d/b/a Crown Products, and Ebsco Industries, Inc.*, Case 1:16-cv-00578-RP, Document #1, filed May 16, 2016, 20 pages.

United States District Court Western District of Texas Austin Division, “Defendants’ Motion to Dismiss Pursuant to Rule 12(b)(6),” *YETI Coolers, LLC v. Imagen Brands, LLC, d/b/a Crown Products, and Ebsco Industries, Inc.*, Case 1:16-cv-00578-RP, Document #8, filed Oct. 4, 2016, 27 pages.

United States District Court Western District of Texas Austin Division, “Defendants’ Answer to Plaintiff’s Complaint and Affirmative Defenses,” *YETI Coolers, LLC v. MyCrew, LLC, MyCrew Drinkware, LLC and NNRiverLife, LLC*, Case 1:16-cv-01008-RP, Document #14, filed Nov. 29, 2016, 12 pages.

United States District Court Western District of Texas Austin Division, “Answer,” *YETI Coolers, LLC v. Tree Leaf Marketing, LLC, d/b/a Big Frig*, Case: 1:16-cv-00699, Document #11, filed Oct. 21, 2016, 8 pages.

“Bekith Kids Water Mugs Stainless Steel Drinking Cups Double Wall Food Grade Durable Safe—Set of 2”, published date unknown but at least as early as Mar. 14, 2017, retrieved from <https://www.amazon.com/Bekith-Stainless-Drinking-Double-Durable/dp/B019JNKG7A/ref=pd_sim_79_5?_encoding=UTF8&psc=1&refRID=ZP054HJK7VYT6T39DSYN> on Mar. 14, 2017.

“Camp Cup”, published date unknown but at least as early as Mar. 13, 2017, retrieved from <<https://www.miir.com/collections/camp/products/campcup>> on Mar. 13, 2017.

“Double Wall Copper Coffee Mug”, published date unknown but at least as early as Mar. 14, 2017, retrieved from <http://www.williamssonoma.com/products/1614242/?catalogId=27&sku=1614242&cm_ven=Google_PLA&cm_cat=Shopping&cm_pla=default&cm_ite=default&kwid=productads-adid%5E45527543503-device%5Ecpaid%5E83089551703-sku%5E1614242-adType%5EPLA&gclid=CIGFx4v9g9ECFYeEsw> on Mar. 14, 2017.

“Double Wall Stainless Steel Beer Mug”, published date unknown but at least as early as Mar. 14, 2017, retrieved from <<https://www.vat19.com/item/stainless-steel-beer-mug>> on Mar. 14, 2017.

Alexander, Emmet, “Removable Bicycle Cup Holder by Bookman”, posted Mar. 23, 2014 online, retrieved Jun. 6, 2016 from Internet, URL: <http://coolmensgear.com/removable-bicycle-cup-holder/>.

“Meyers California Rainbow Mug With Removable Wood Metal Handle”, retrieved from Internet on Jun. 6, 2016; URL: <https://www.pinterest.com/pin/148618856430252325/>.

“Tervis Tumbler Black 24 Oz. Handle”, retrieved from Internet Jun.06, 2016; URL: <http://www.amazon.com/Tervis-Tumbler-Black-24oz-Handle/dp/B004VHVHORG>.

Purdum, Sandra, “Mug or Tumbler Metal Handles Spare Parts”, retrieved from Internet Jun. 6, 2016; URL: https://www.etsy.com/...r-tumbler-metalhandles-spare-parts?ga_order=most_relevant&ga_search_type=all&ga_view_type=gallery&ga_search_query=metal%20handled%20mugs&ref=sr_gallery_8.

“Red Removable Handle 16-Oz. Travel Tumbler.” Accessed Aug. 31, 2016. Available online at URL: <<http://www.zulily.com/p/red-removable-handle-16-oz-travel-tumbler-120715-7353259.html>>.

“Removable Bicycle Cup Holder by Bookman” Published Mar. 23, 2014. Accessed Aug. 31, 2016. Available online at URL: <<http://coolmensgear.com/removable-bicycle-cup-holder/>>.

“Meyers California Rainbow Mug with Removable Wood/Metal Handle.” Accessed Aug. 31, 2016. Available online at URL: <<https://www.pinterest.com/pin/148618856430252325/>>.

United States International Trade Commission, “Respondents Alibaba, Dunhuang Group, and Bonanza.com’s Notice of Prior Art,” In the Matter of: Certain Insulated Beverage Containers, Components, Labels, and Packaging Materials Thereof, Inv. No. 337-TA-1084, filed Feb. 9, 2018, 8 pages.

United States International Trade Commission, “Respondent Contextlogic, Inc.’s Notice of Prior Art,” In the Matter of: Certain Insulated Beverage Containers, Components, Labels, and Packaging Materials Thereof, Inv. No. 337-TA-1084, filed Feb. 9, 2018, 15 pages.

United States International Trade Commission, “The Commission Investigative Staff’s Notice of Prior Art” In the Matter of: Certain Insulated Beverage Containers, Components, Labels, and Packaging Materials Thereof, Inv. No. 337-TA-1084, filed Feb. 9, 2018, 4 pages.

Firm Grip: The 15 Coolest Beer Koozies [online], [retrieved Mar. 16, 2018], Retrieved from the Internet, URL: <<<http://hiconsumption.com/2014/01/firm-grip-the-15-coolest-beer-kooziest>>>, 10 color pages, published date unknown, but for purposes of patent prosecution prior to the filing date of the present application.

Thermos Stainless Steel Can Insulator [online], [retrieved Mar. 19, 2018], Retrieved from the Internet, URL: <<<https://www.youtube.com/watch?v=p8pV3BhAOiU>>>, 1 color page, published on Oct. 8, 2008.

* cited by examiner

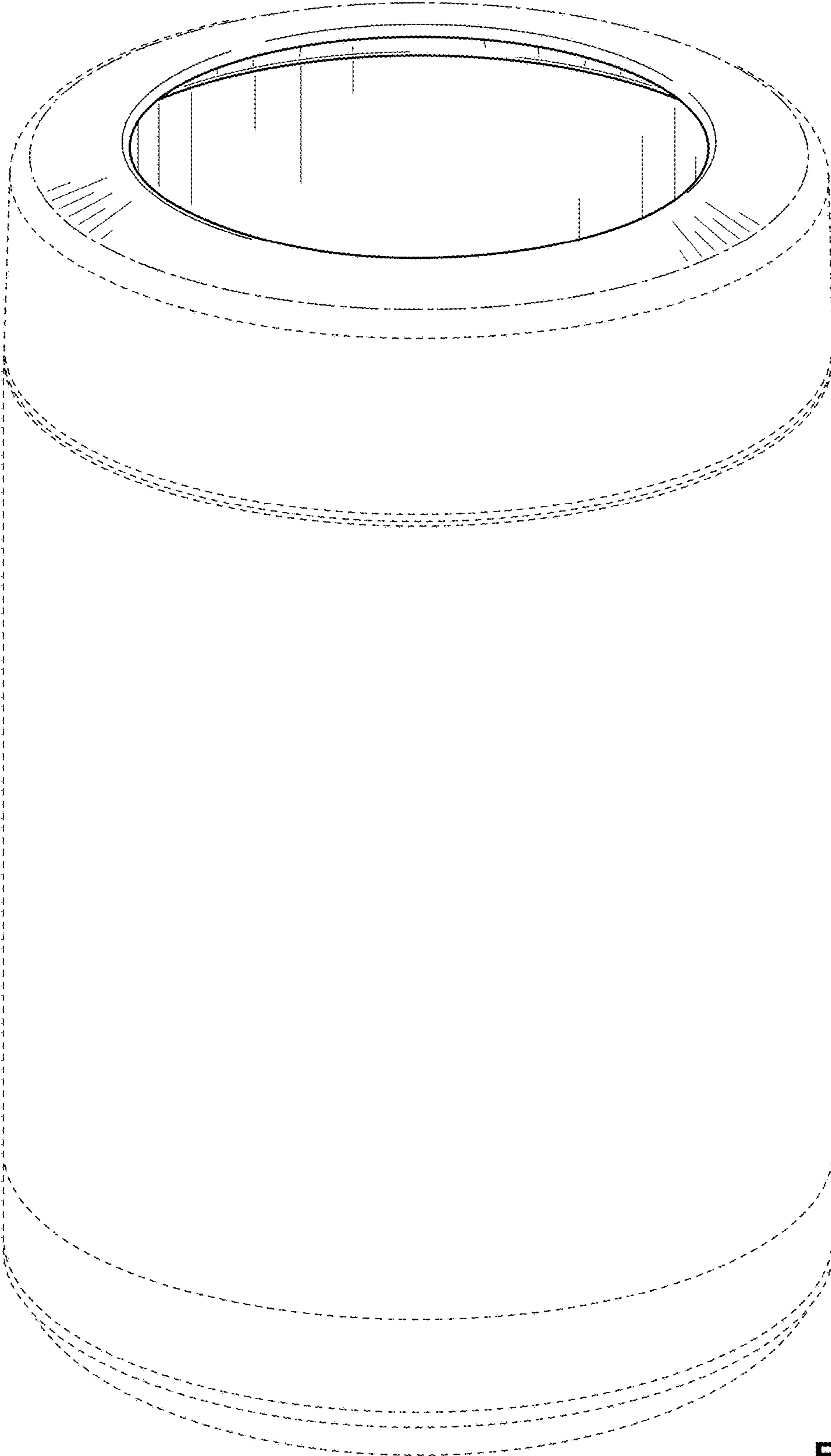


FIG. 1

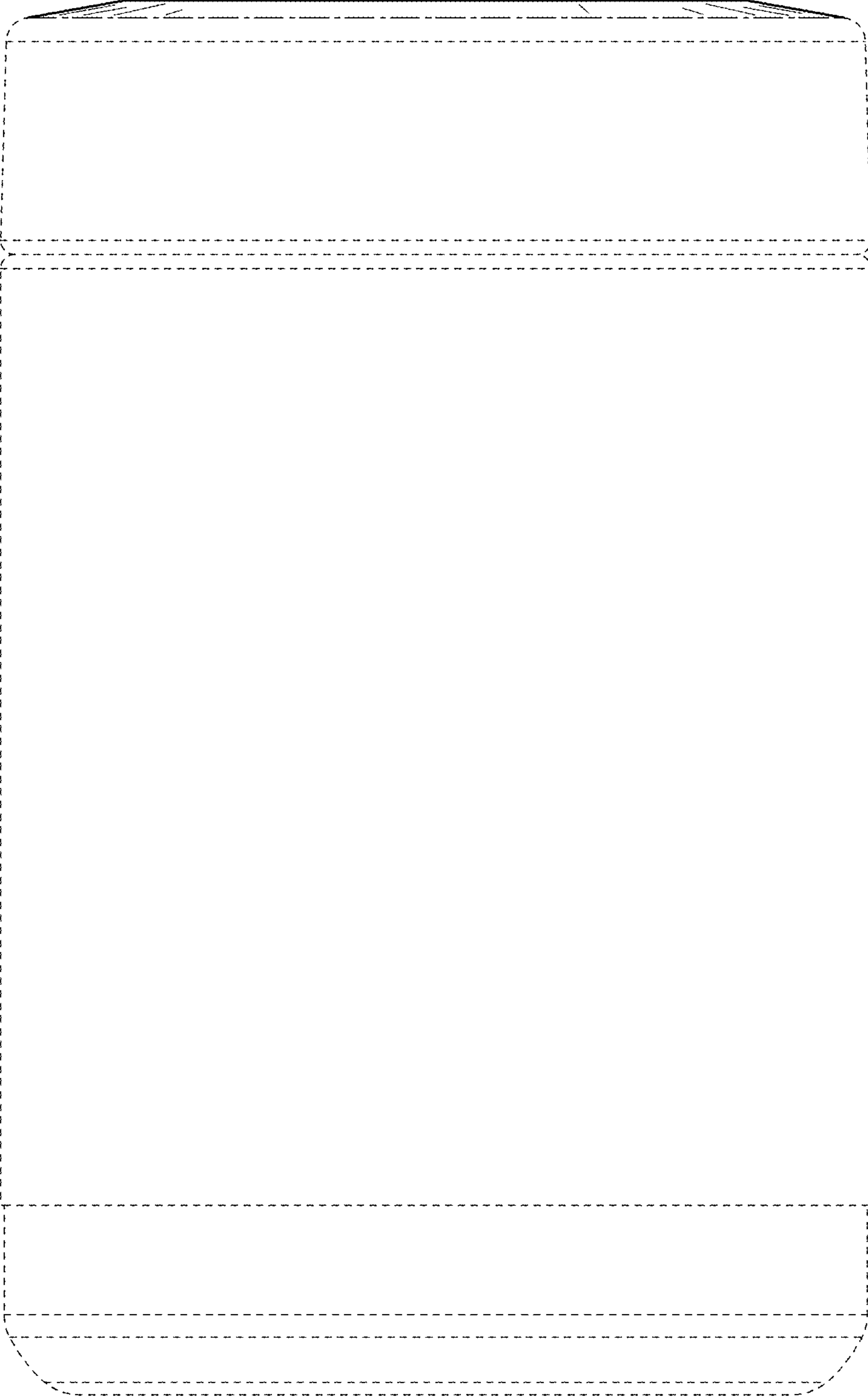


FIG. 2



FIG. 3



FIG. 4



FIG. 5

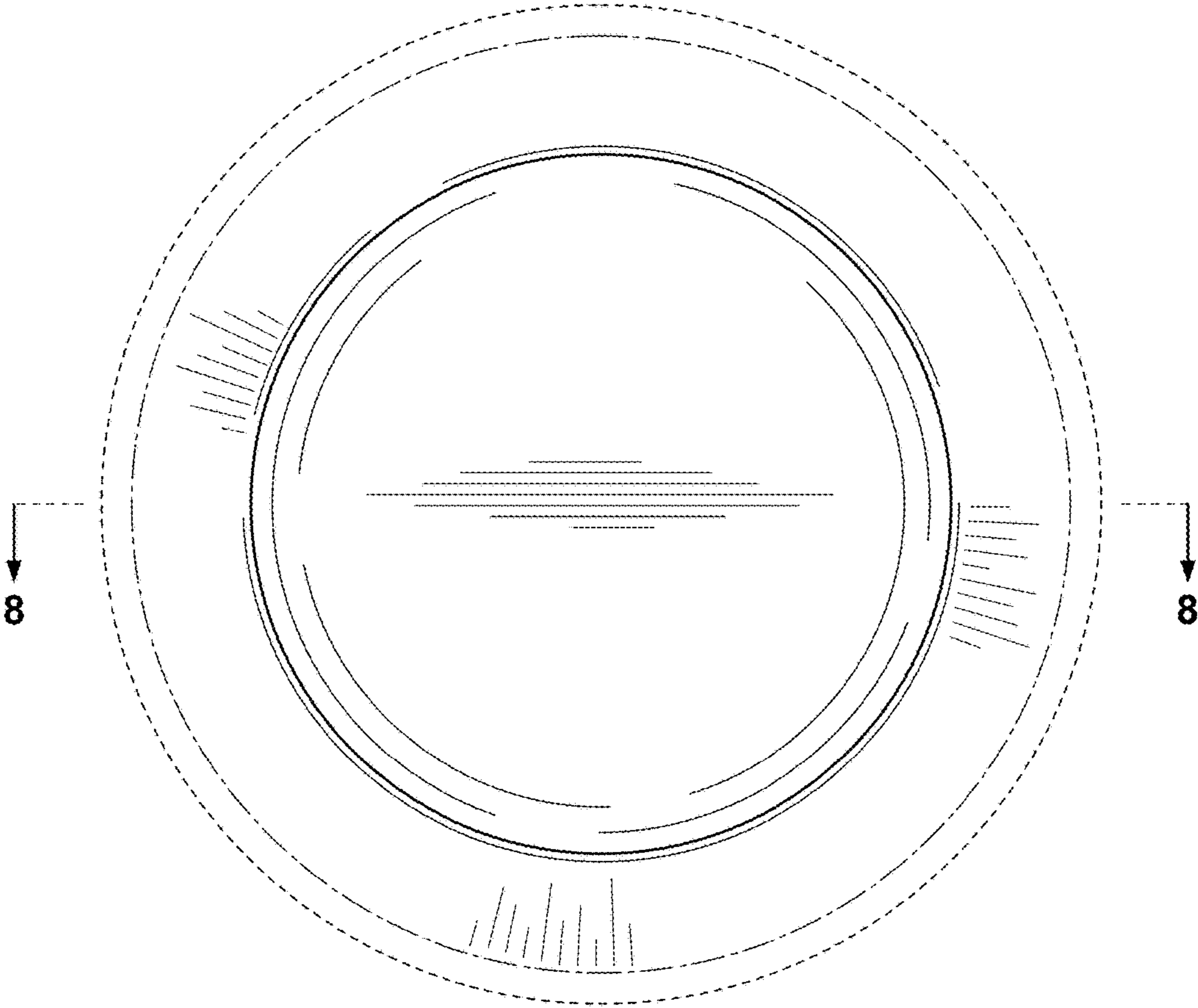


FIG. 6

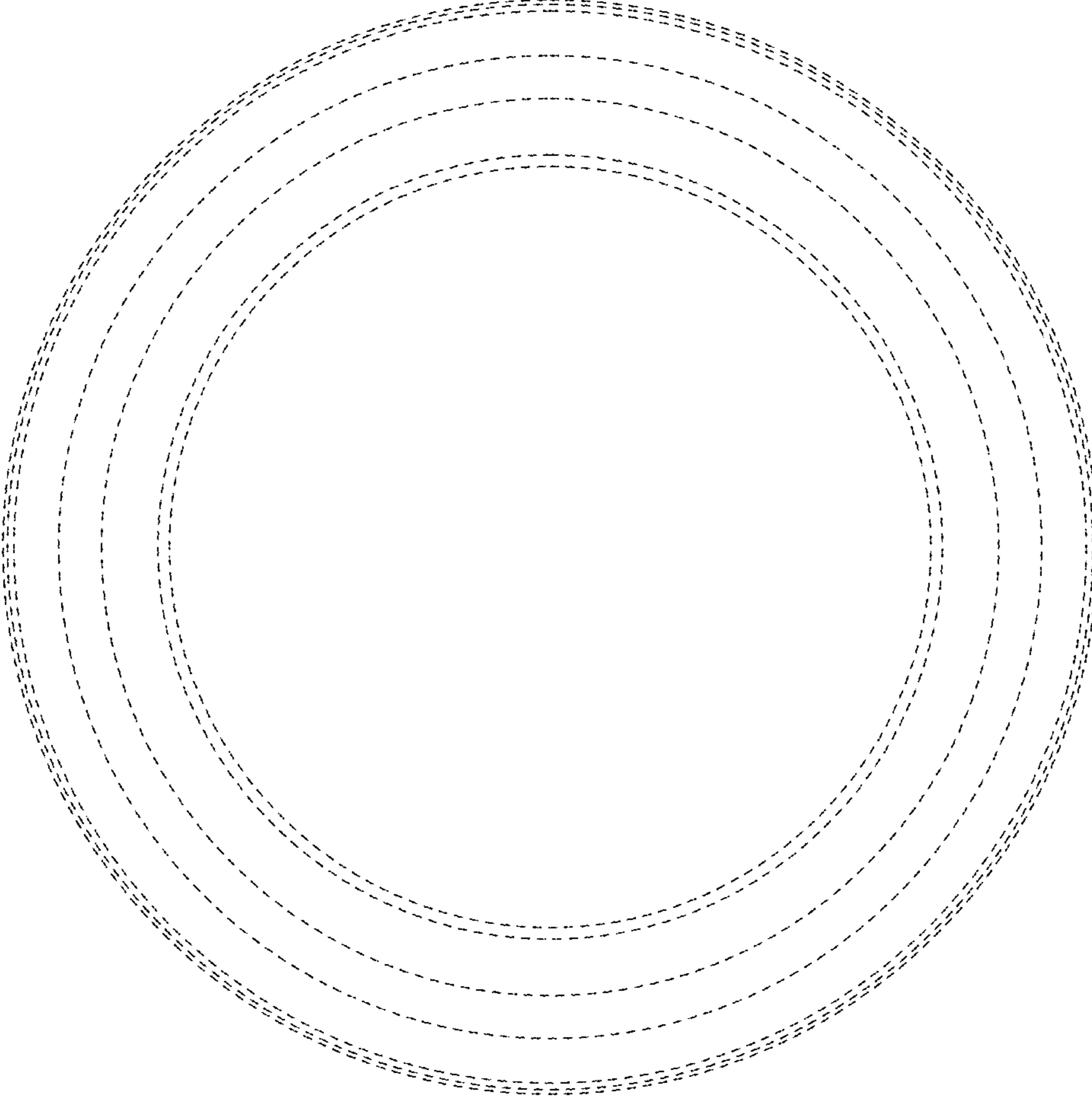


FIG. 7

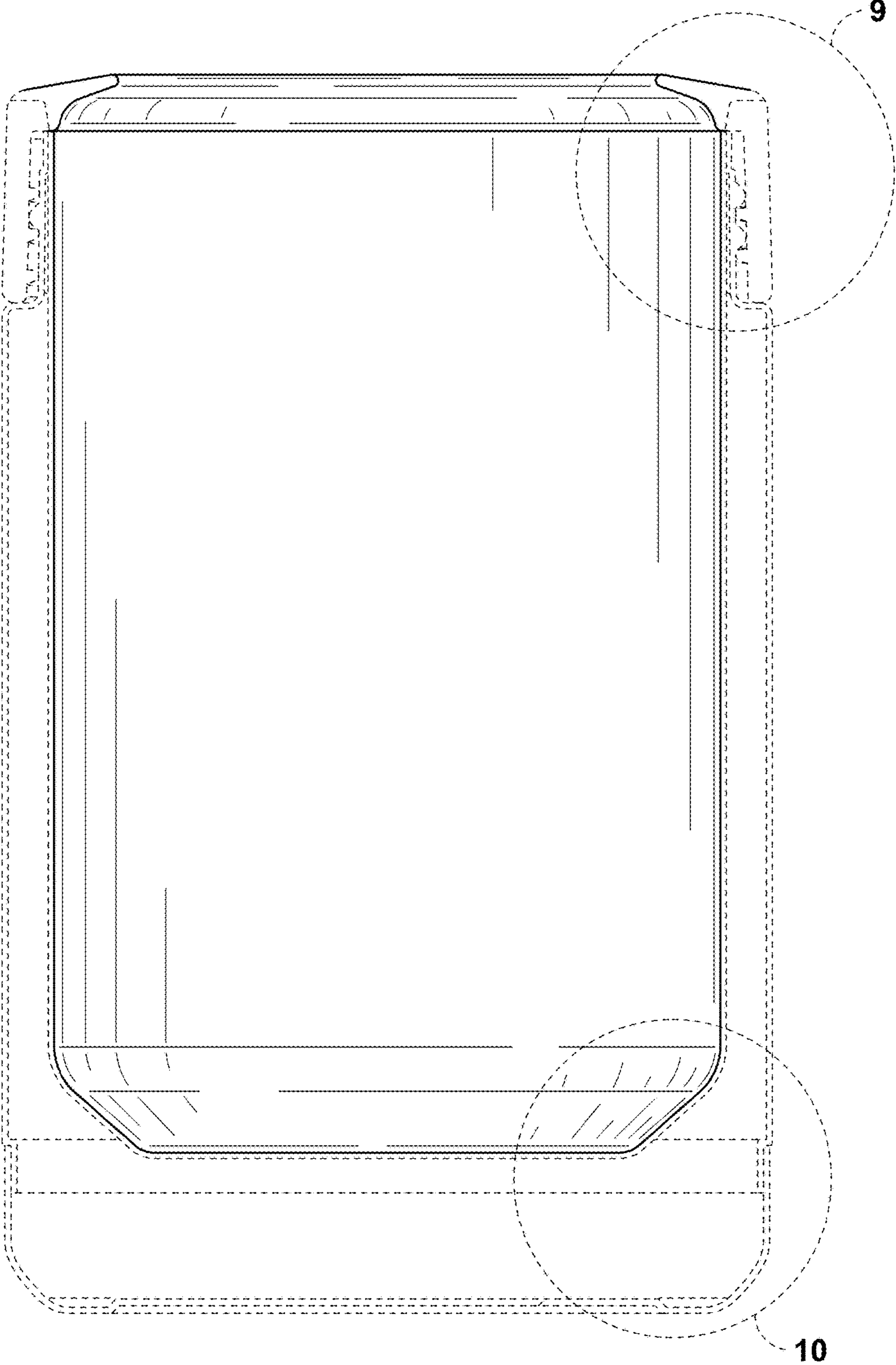


FIG. 8

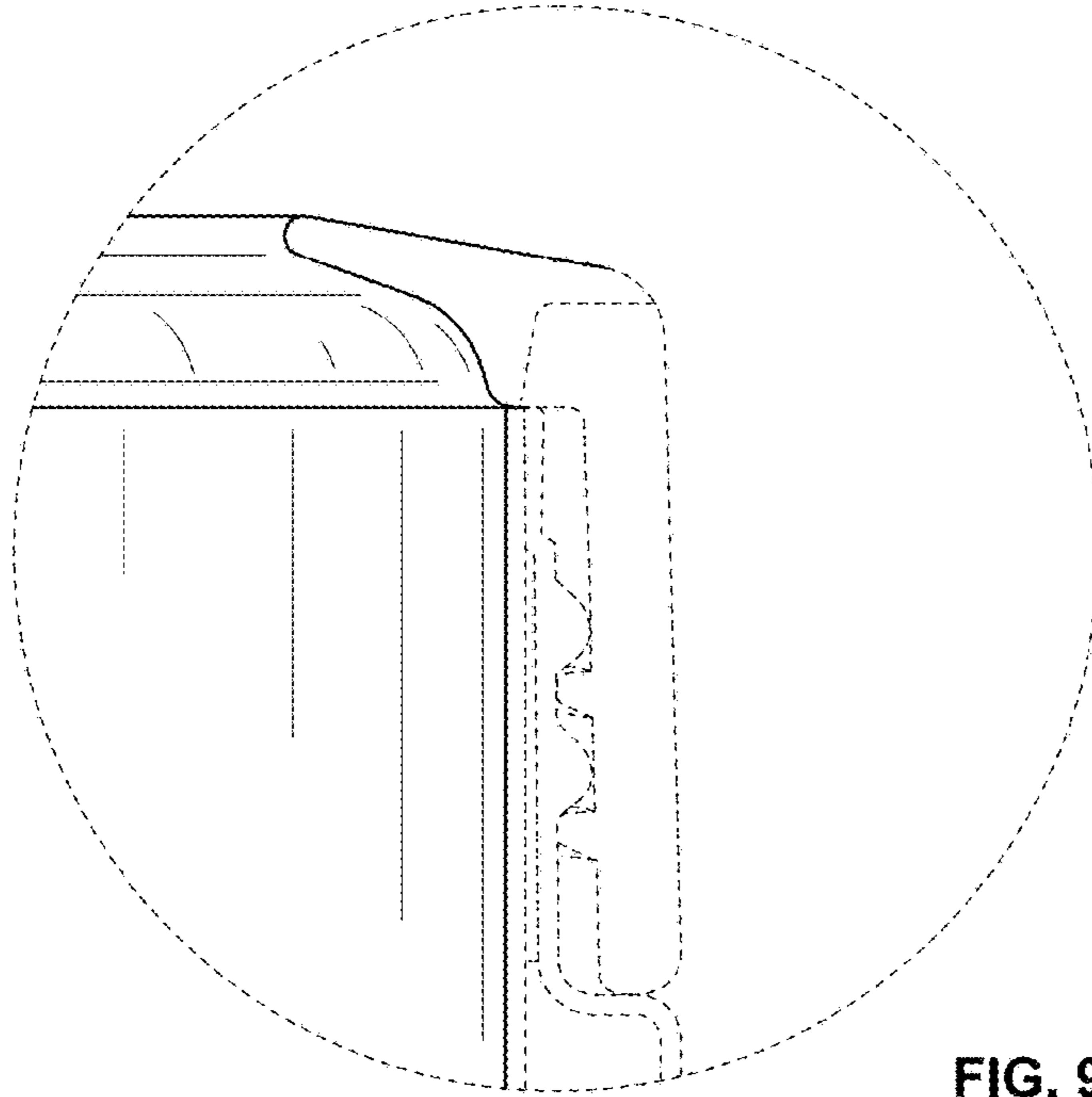


FIG. 9

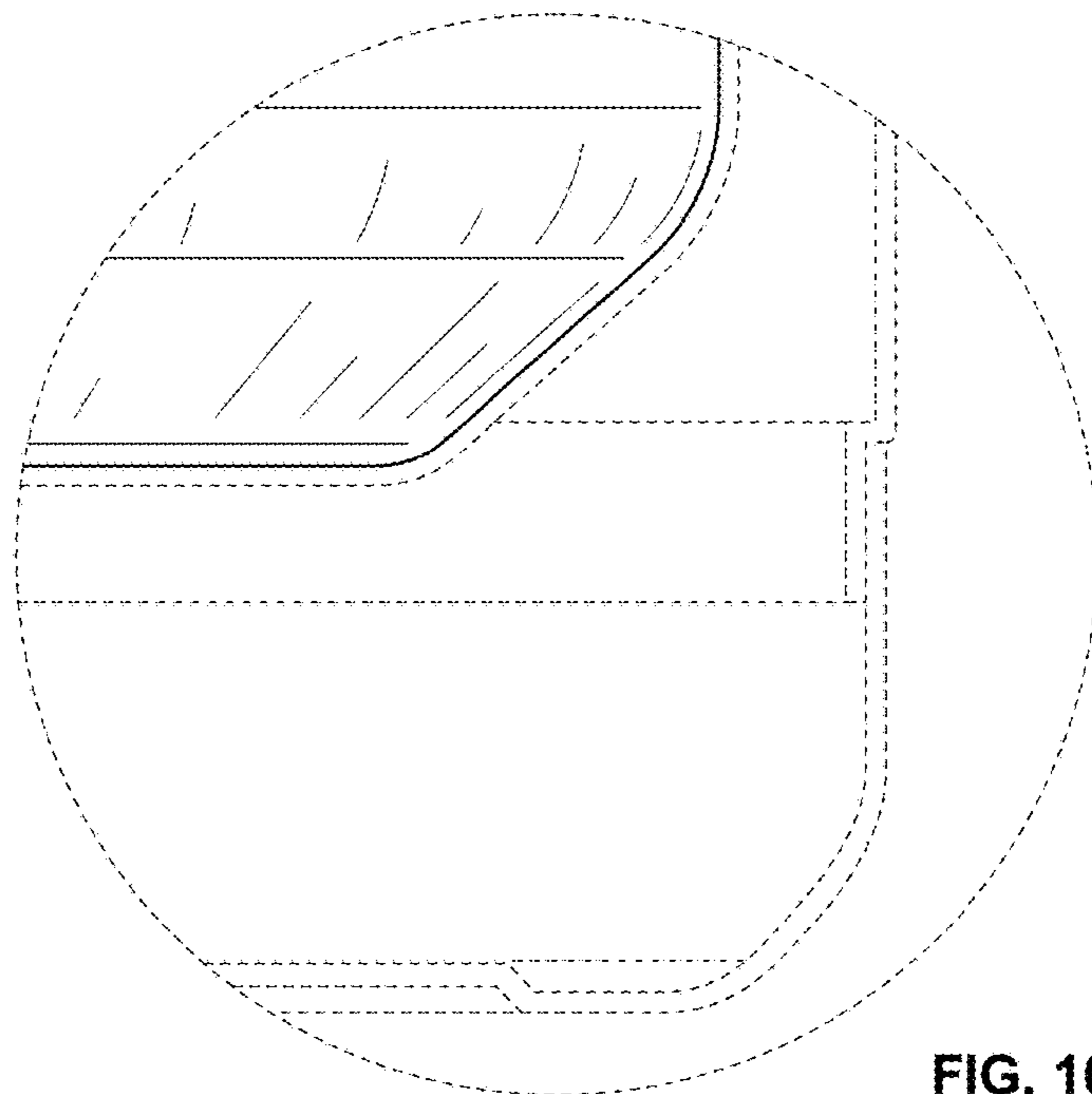


FIG. 10

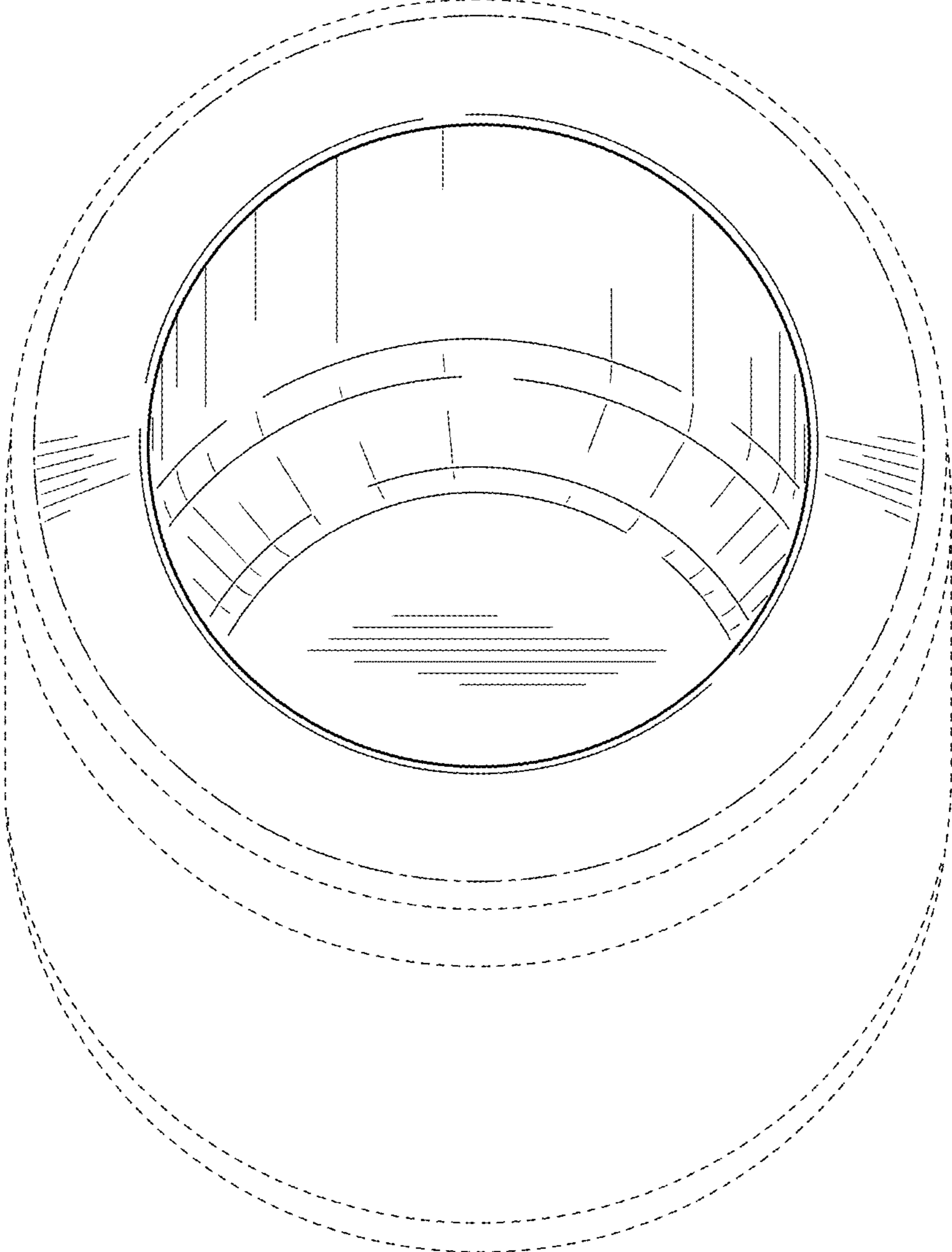


FIG. 11