

US00D830785S

(12) **United States Design Patent** (10) **Patent No.:** **US D830,785 S**  
**Agli** (45) **Date of Patent:** **\*\* Oct. 16, 2018**

(54) **BEVERAGE HOLDER**  
(71) Applicant: **Jeffrey Bryant Agli**, Hamden, CT (US)  
(72) Inventor: **Jeffrey Bryant Agli**, Hamden, CT (US)  
(\*\*) Term: **15 Years**  
(21) Appl. No.: **29/612,857**  
(22) Filed: **Aug. 4, 2017**  
(51) **LOC (11) Cl.** ..... **07-06**  
(52) **U.S. Cl.**  
USPC ..... **D7/620**  
(58) **Field of Classification Search**  
USPC ..... D7/523, 532, 601, 605-608, 615, 620,  
D7/624.2, 625; D6/531-534;  
D3/304-314; D9/444, 501-504, 574,  
D9/575, 779  
CPC ..... F25D 3/08; B65D 25/20; B65D 25/22;  
B65D 25/30; B65D 7/24; B65D 81/3876;  
B65D 81/3879; B65D 23/104; B65D  
81/38; B65D 81/3886; B65D 81/3883;  
B65D 81/3881; B65D 83/00; B65D 1/42;  
B65D 8/00; B65D 15/02; A45C 11/00;  
A45C 11/20; A47G 23/0216; A47G  
23/0266; A47G 19/2288; A47G 23/0241;  
A47G 2023/0291; A45F 2200/0583; A45F  
3/14; A61F 7/10; B31D 5/0086; A47J  
41/02; A47J 41/0077; A47K 1/08  
See application file for complete search history.

(56) **References Cited**  
U.S. PATENT DOCUMENTS  
4,282,279 A \* 8/1981 Strickland ..... B65D 25/34  
150/901  
4,401,245 A \* 8/1983 Zills ..... B65D 81/3886  
215/12.1  
4,838,466 A \* 6/1989 Holmstrom ..... A45F 3/16  
220/379

5,007,566 A \* 4/1991 Fick ..... B62J 11/00  
224/414  
D423,299 S \* 4/2000 Burrus ..... D7/607  
6,059,140 A \* 5/2000 Hicks ..... B65D 81/3879  
220/6  
D589,758 S \* 4/2009 Mancha ..... D7/607  
D596,465 S \* 7/2009 Faulkner ..... D7/607  
7,677,407 B2 \* 3/2010 Davis ..... A47G 23/0225  
220/478  
2002/0104845 A1 \* 8/2002 Beuke ..... B65D 81/3876  
220/739  
2002/0179617 A1 \* 12/2002 Barthlow ..... A47G 23/0216  
220/739  
2005/0056655 A1 \* 3/2005 Gary ..... A47G 19/2261  
220/737

(Continued)

*Primary Examiner* — Freda S Nunn  
(74) *Attorney, Agent, or Firm* — St. Onge Steward  
Johnston & Reens, LLC

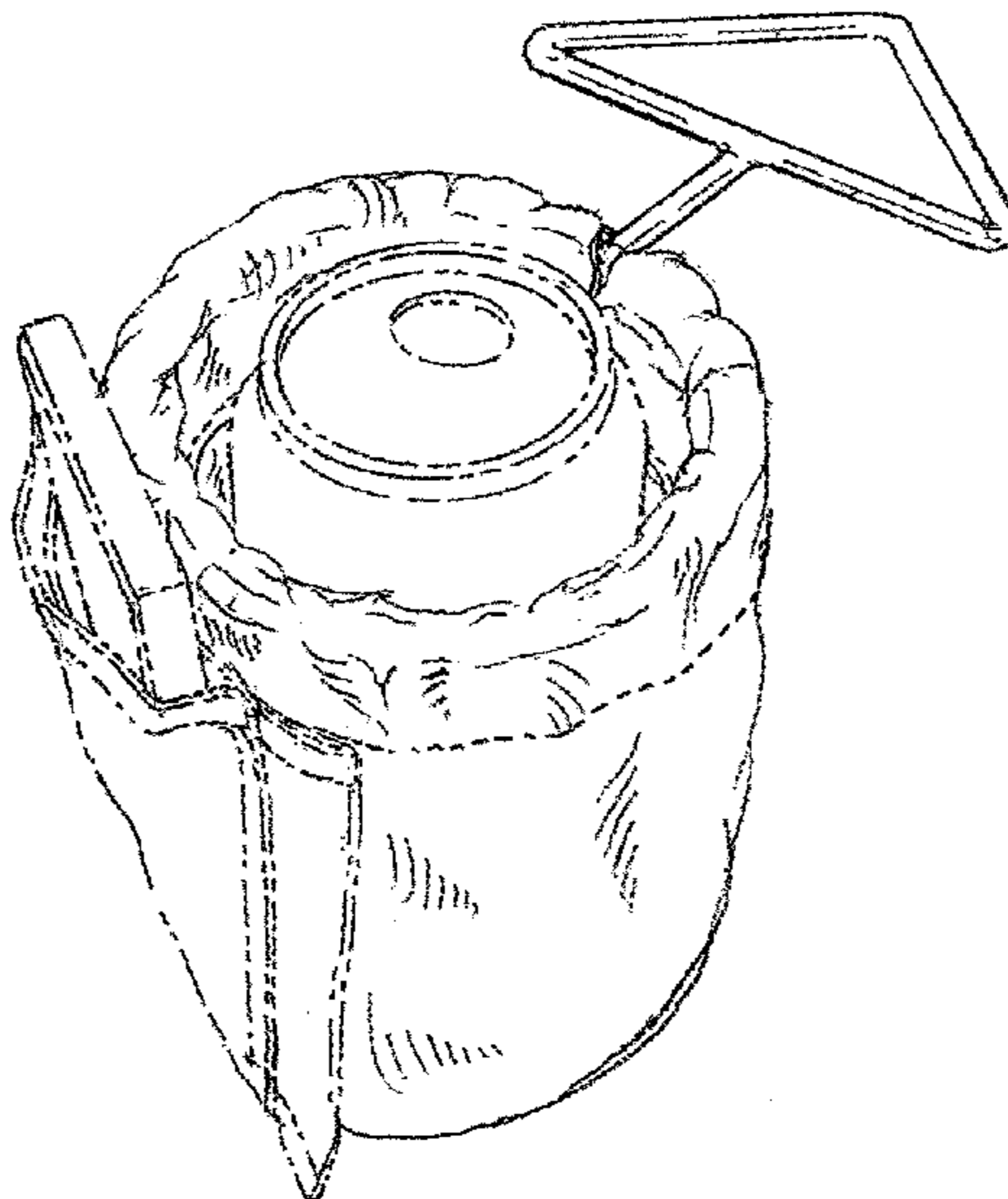
(57) **CLAIM**

The ornamental design for a beverage holder, as shown and described.

**DESCRIPTION**

FIG. 1 is a front isometric view of a beverage holder in an exemplary environment thereof;  
FIG. 2 is a top isometric view of the beverage holder of FIG. 1 with items held in pockets thereof;  
FIG. 3 is a top isometric view of the beverage holder of FIG. 1;  
FIG. 4 is a top view thereof;  
FIG. 5 is a bottom view thereof;  
FIG. 6 is a left side view thereof;  
FIG. 7 is a right side view thereof;  
FIG. 8 is a rear view thereof; and,  
FIG. 9 is a front view thereof.  
The broken lines shown in the figures show environmental structure or features that form no part of the claimed design.

**1 Claim, 5 Drawing Sheets**



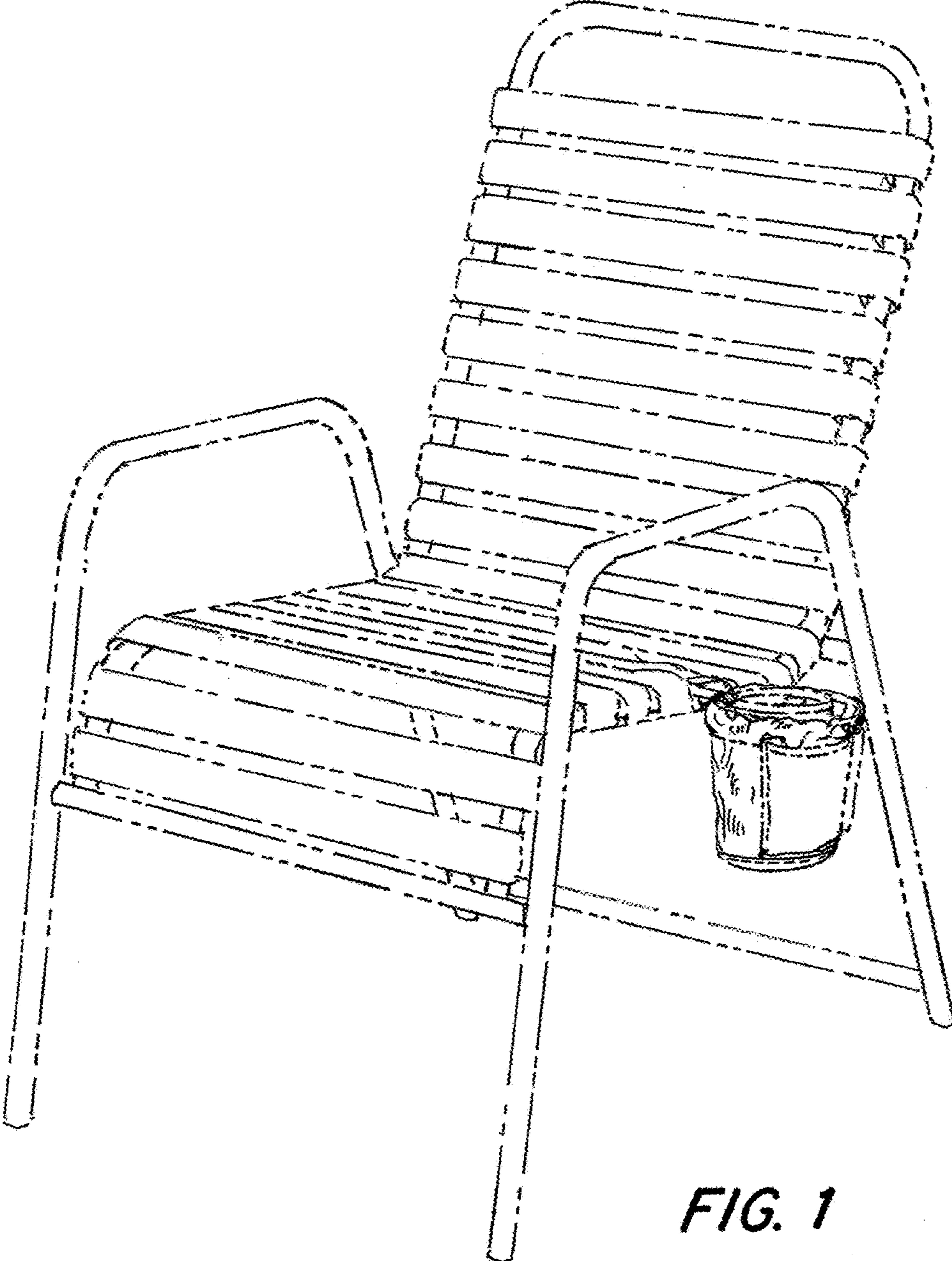
(56)

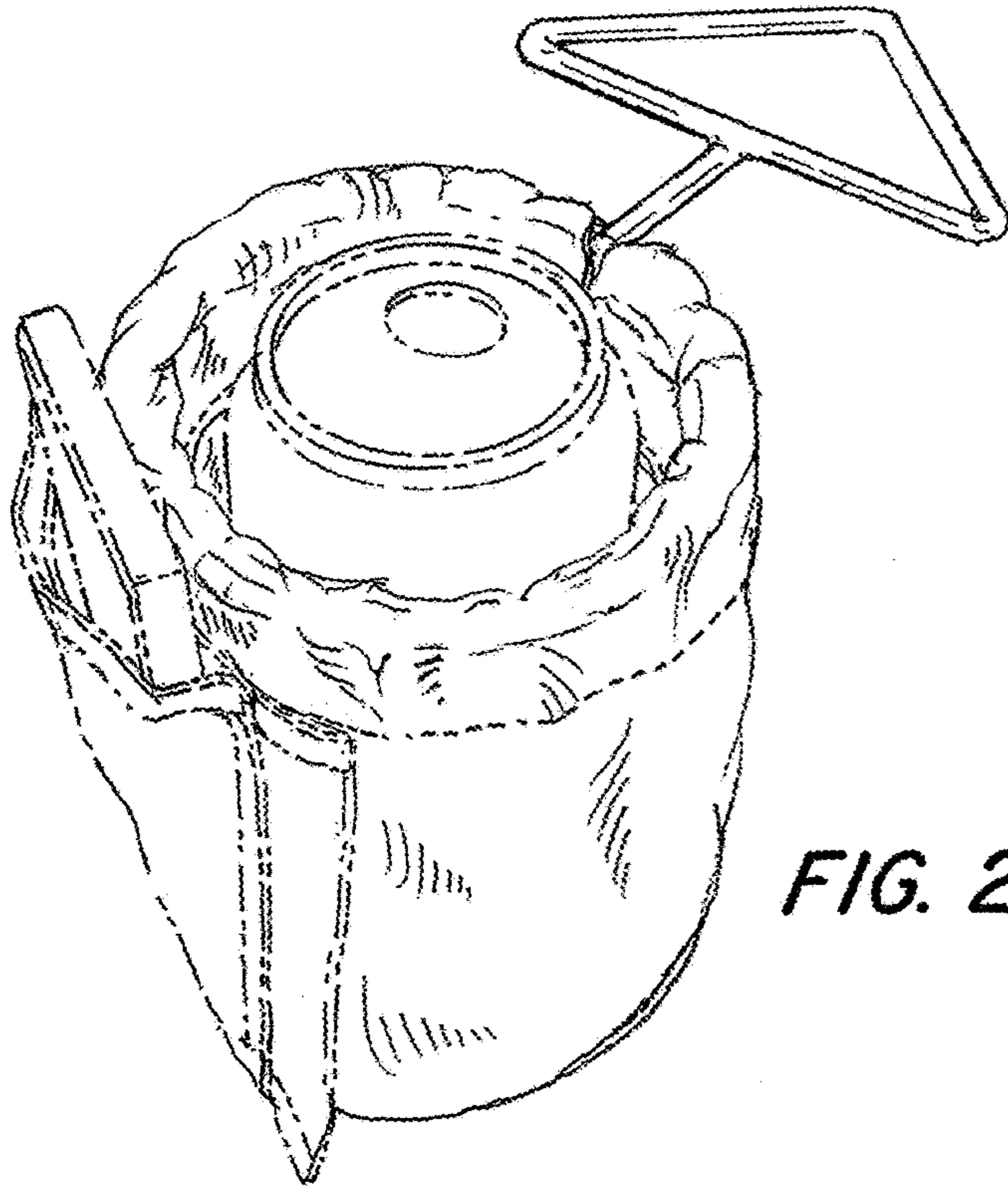
**References Cited**

U.S. PATENT DOCUMENTS

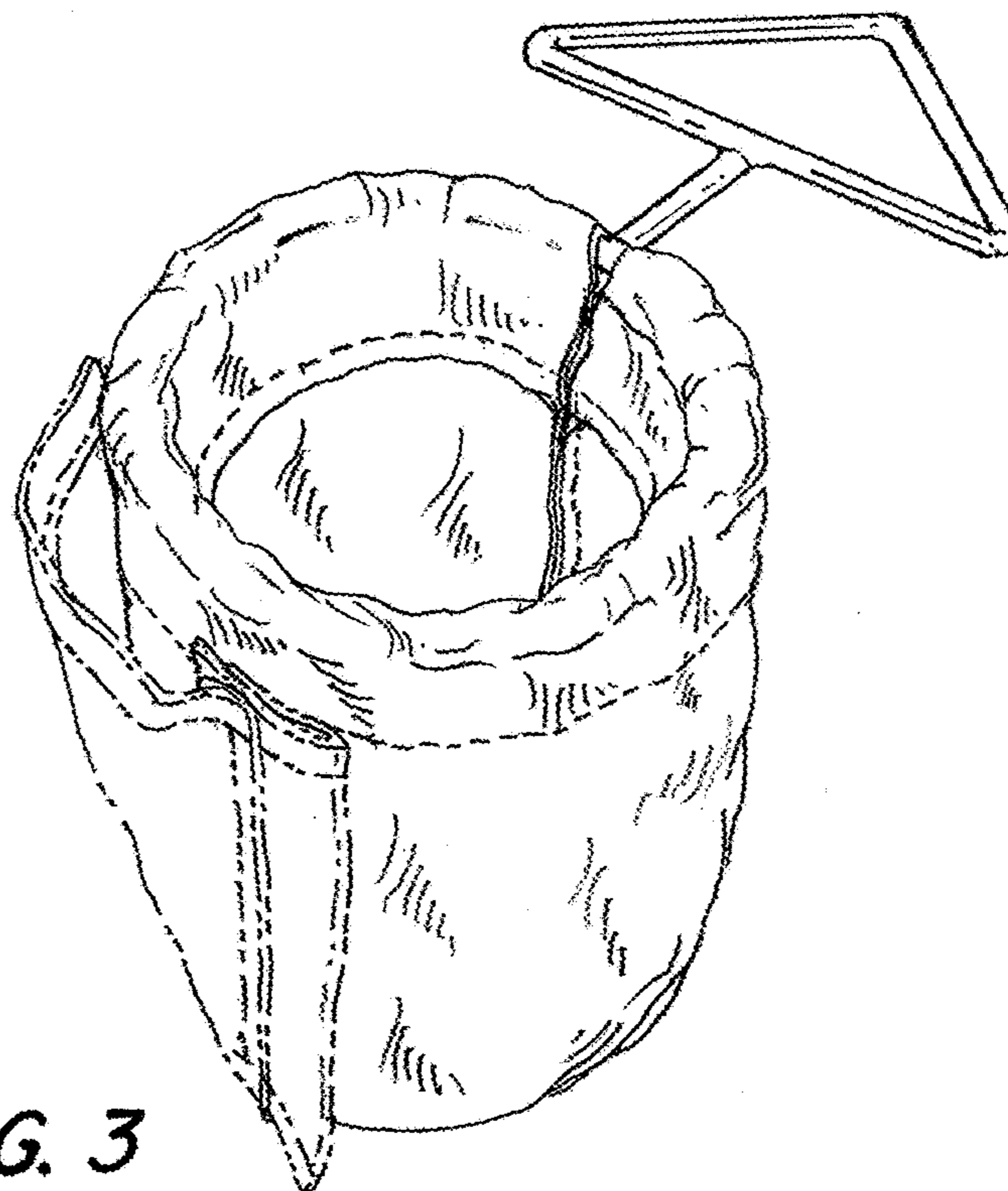
2008/0017654 A1\* 1/2008 Chu ..... B65D 81/3886  
220/739  
2008/0251552 A1\* 10/2008 Bell ..... A45F 3/16  
224/250  
2013/0213986 A1\* 8/2013 Couvelier ..... B65D 25/22  
220/737

\* cited by examiner





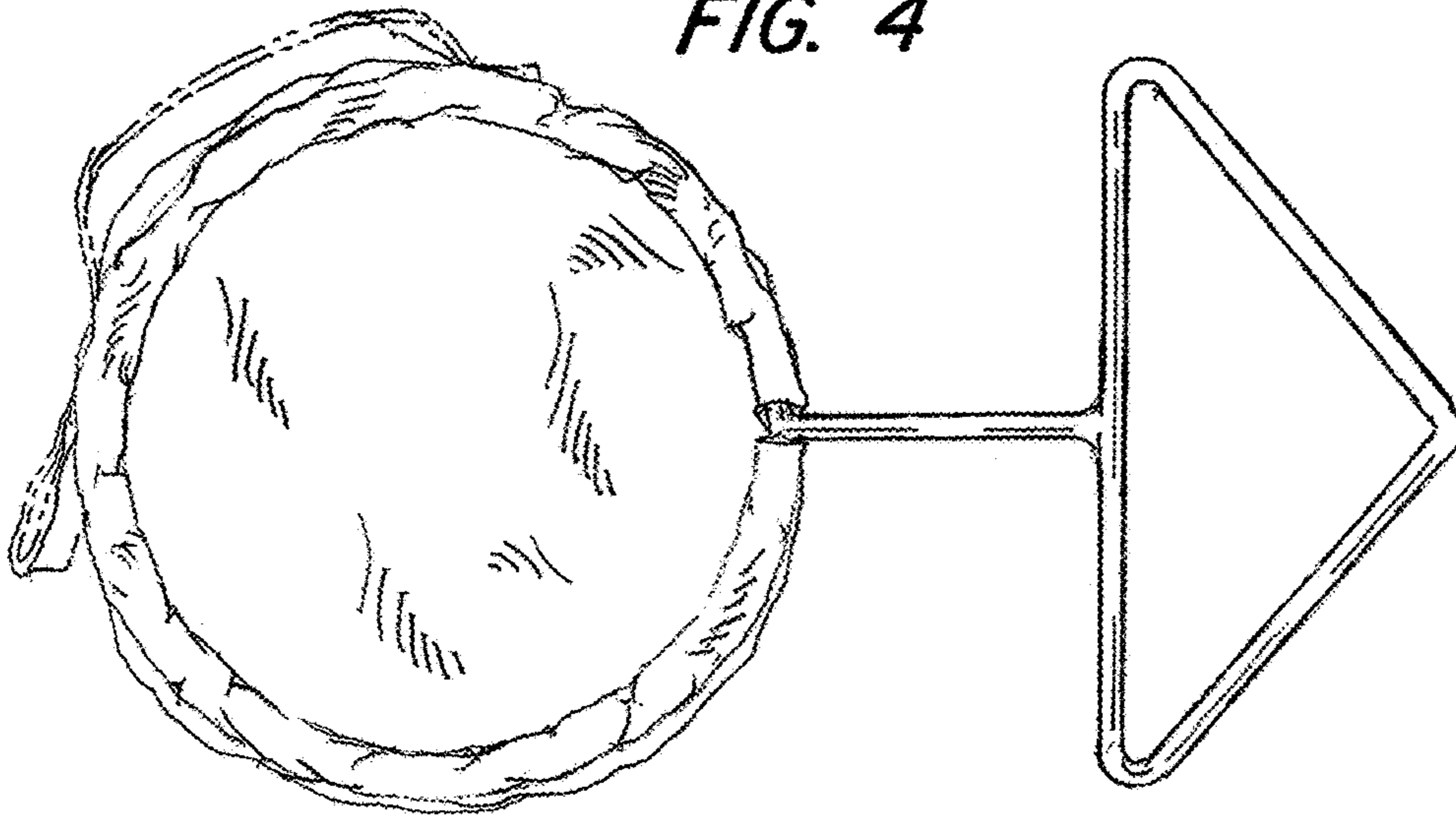
*FIG. 2*



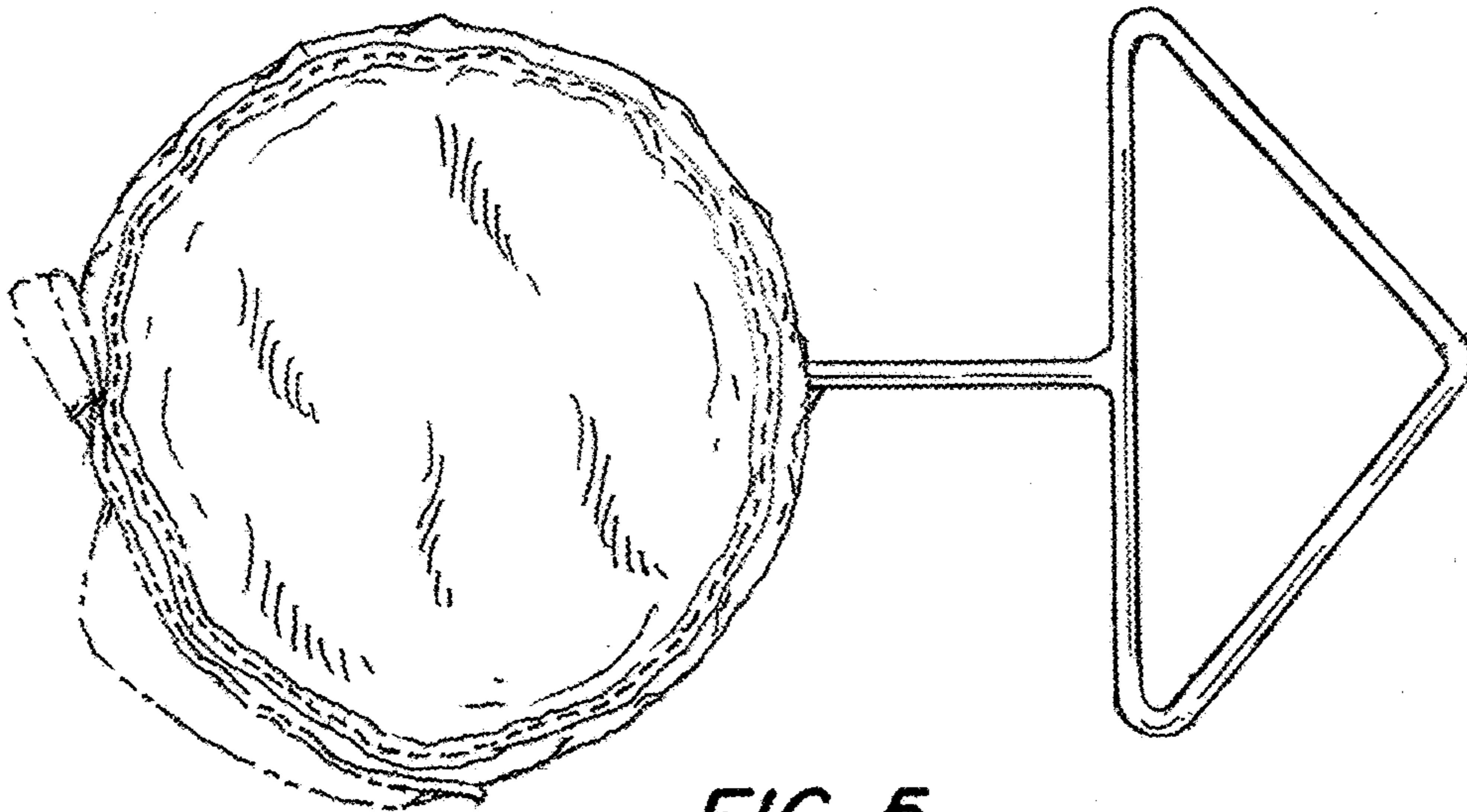
*FIG. 3*

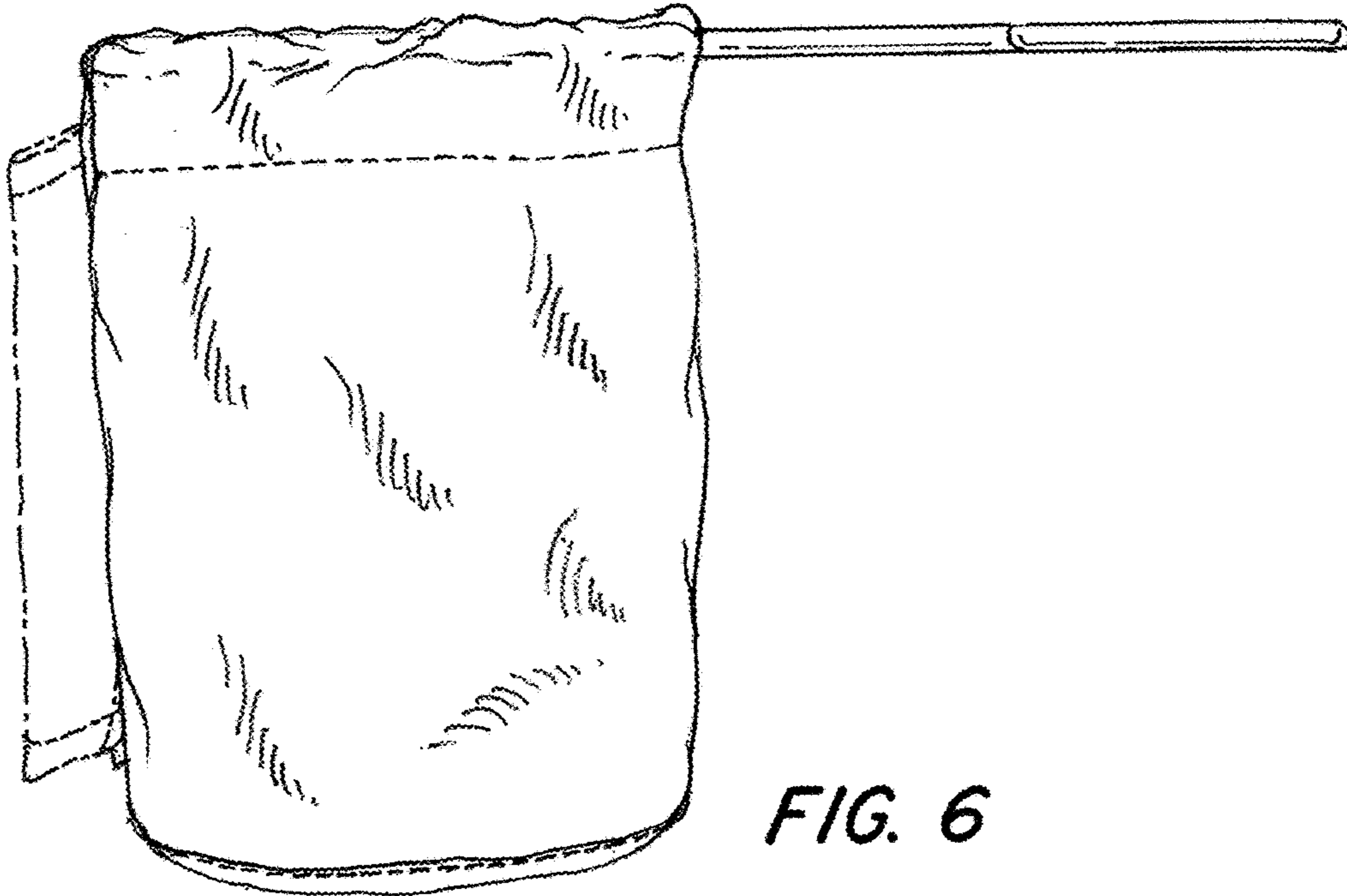


*FIG. 4*

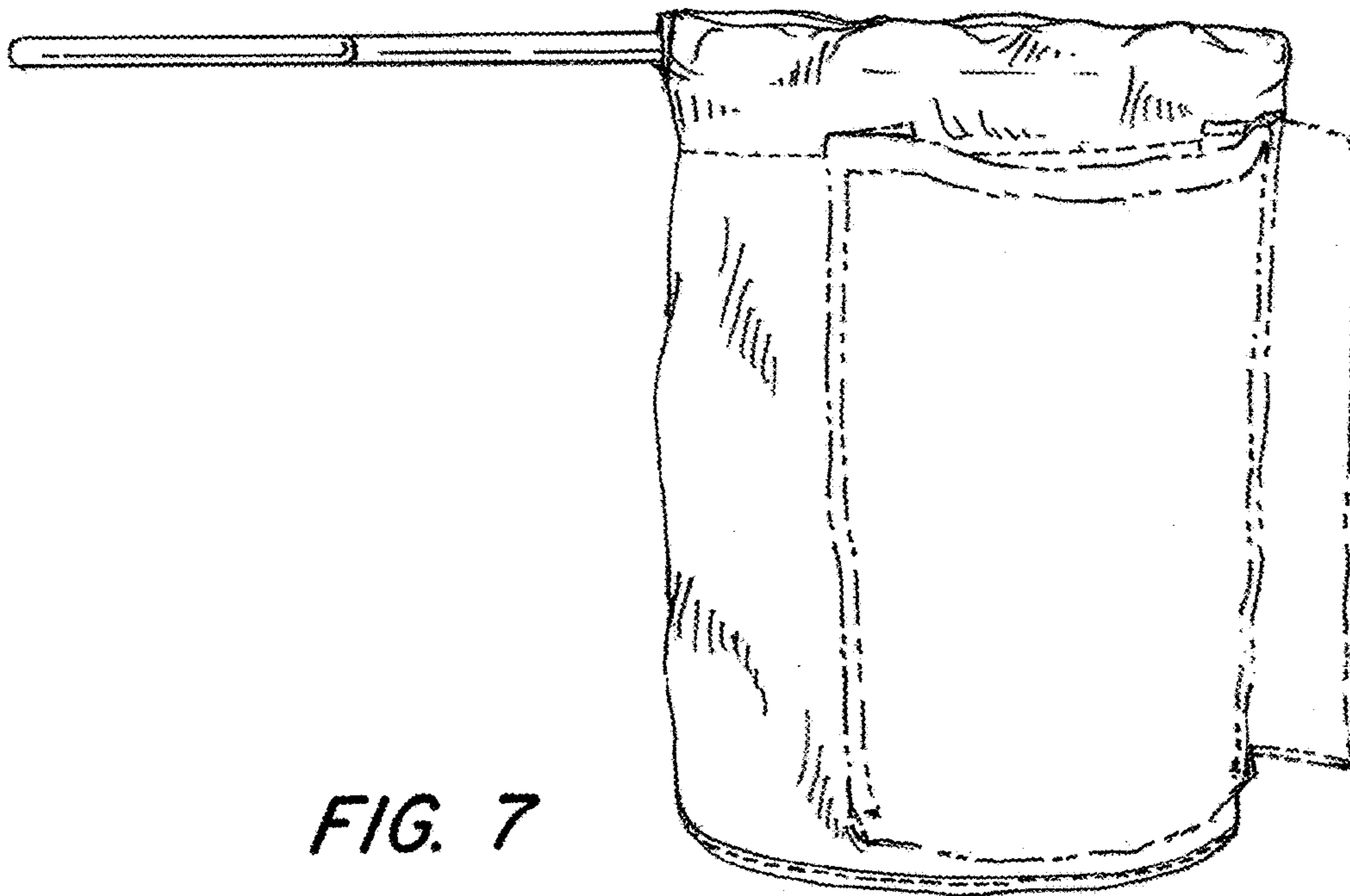


*FIG. 5*

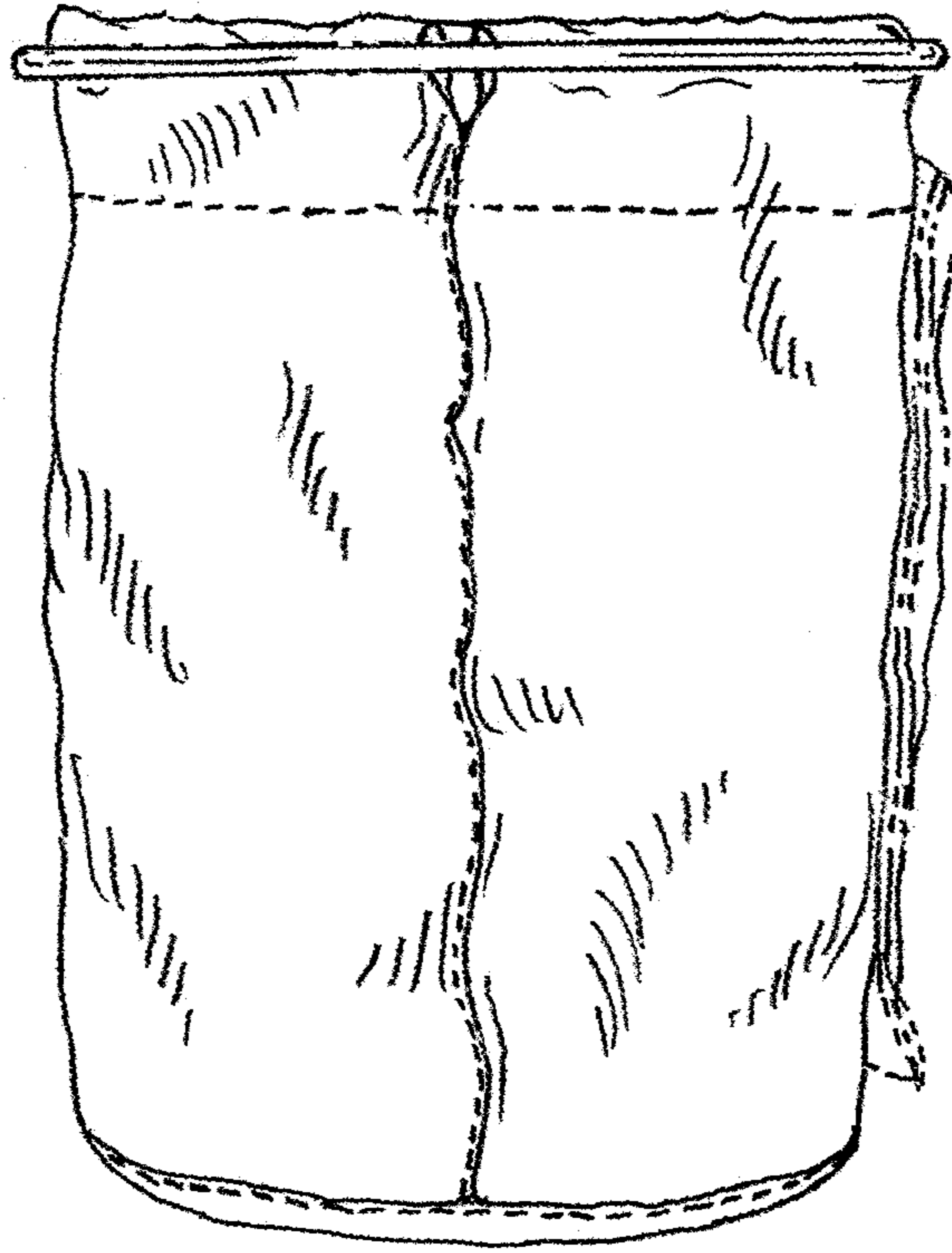




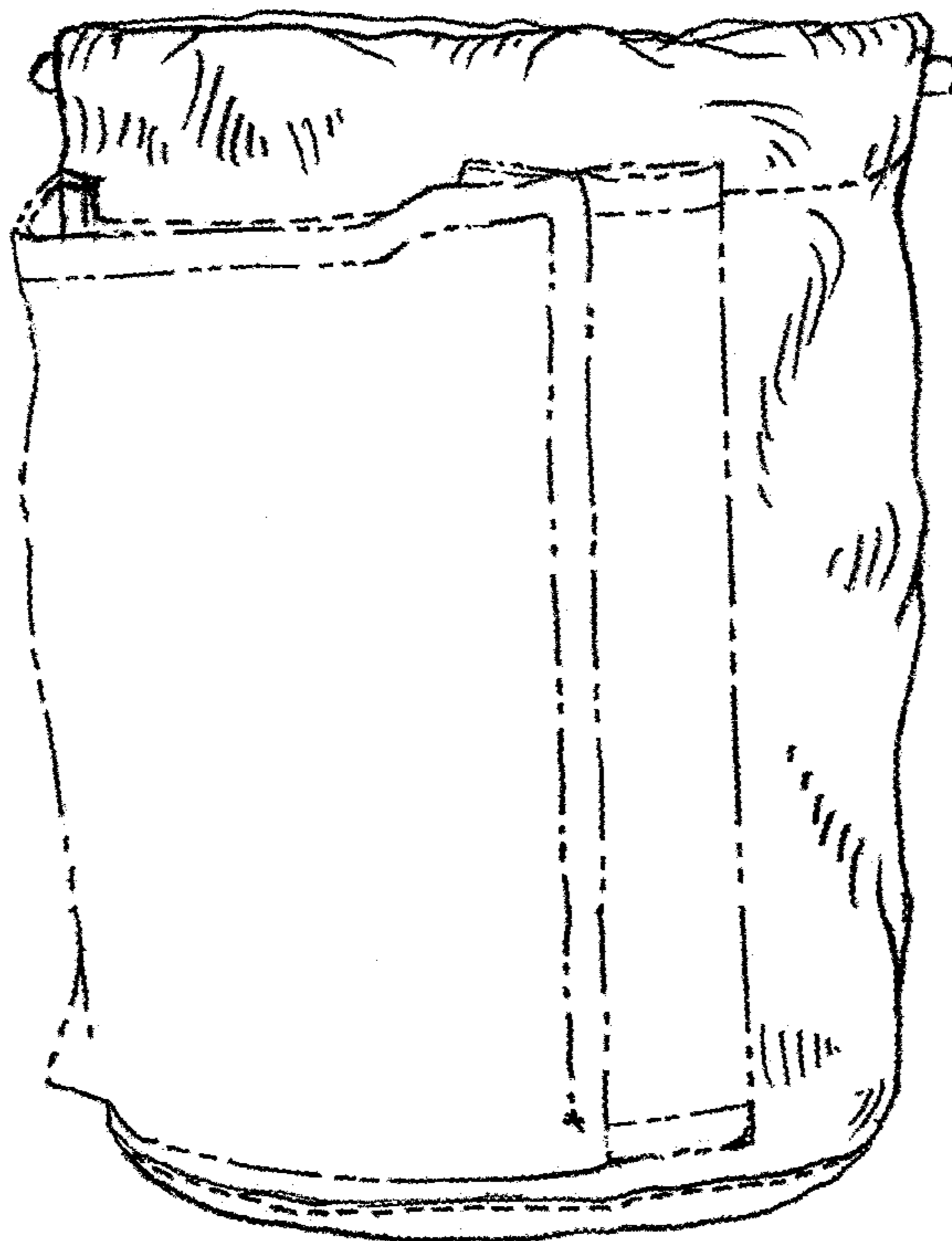
**FIG. 6**



**FIG. 7**



**FIG. 8**



**FIG. 9**