



US00D830782S

(12) **United States Design Patent**
Furneau et al.

(10) **Patent No.:** **US D830,782 S**
(45) **Date of Patent:** **** Oct. 16, 2018**

(54) **COOLER**

(71) Applicant: **Sovaro Coolers, LLC**, Roswell, GA (US)
(72) Inventors: **Todd McLean Furneau**, Roswell, GA (US); **Michael Thuma**, La Grange, IL (US); **Torrence Anderson**, Overland Park, KS (US); **Dov Blitzler**, Naperville, IL (US)
(73) Assignee: **Sovaro Coolers, LLC**, Roswell, GA (US)

(**) Term: **15 Years**

(21) Appl. No.: **29/622,273**

(22) Filed: **Oct. 16, 2017**

(51) **LOC (11) Cl.** **07-01**

(52) **U.S. Cl.**
USPC **D7/605**

(58) **Field of Classification Search**
USPC D7/605–608, 709, 629, 630; D3/272–274
CPC .. A45C 11/20; A45C 5/14; A45C 5/03; A45C 9/00; A47B 77/08; A47J 41/022; A47G 19/2288; B26B 3/003; F25B 19/00; F25D 3/08; F25D 3/12; F25D 3/14; F25D 3/02; F25D 27/00; F25D 2400/08; F25D 2331/804; F25D 31/005; B65D 81/3858; B65D 81/3823; B65D 81/3813; B65D 81/3888; B65D 81/3816

See application file for complete search history.

(56) **References Cited**

U.S. PATENT DOCUMENTS

3,979,007 A * 9/1976 Thornbloom, Jr. A45C 11/20
190/12 R
4,024,731 A * 5/1977 Branscum B65D 81/3823
215/385
9,555,946 B1 * 1/2017 Warman F25D 3/08
2015/0369529 A1* 12/2015 Monroe F25D 3/08
62/457.2

* cited by examiner

Primary Examiner — Terry A Wallace

(74) *Attorney, Agent, or Firm* — McHale & Slavin, P.A.

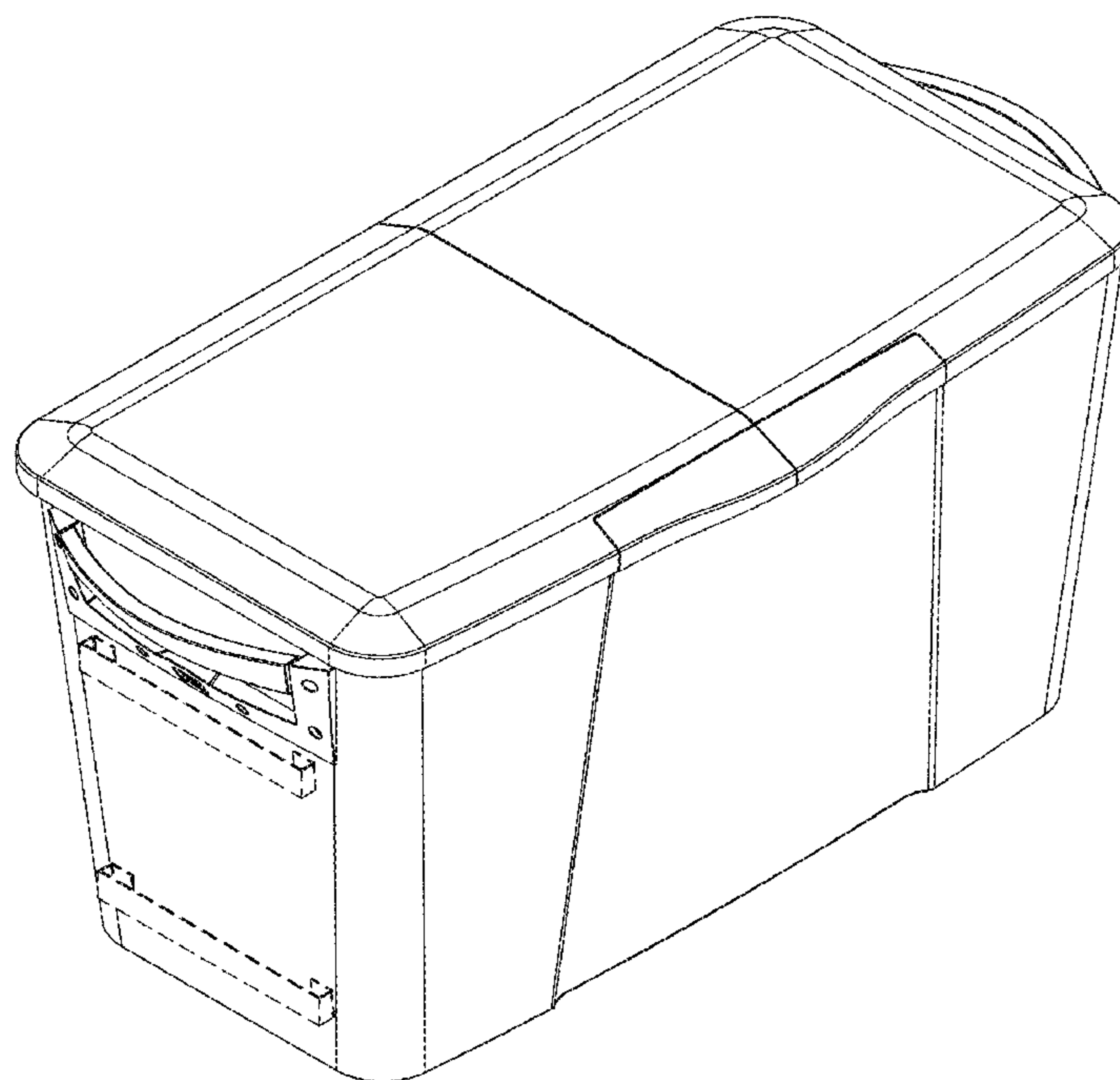
(57) **CLAIM**

The ornamental design for a cooler, as shown and described.

DESCRIPTION

FIG. 1 is a front top left perspective view of the cooler of the present invention;
FIG. 2 is a front view thereof;
FIG. 3 is a rear view thereof;
FIG. 4 is a left side view thereof;
FIG. 5 is a right side view thereof;
FIG. 6 is a top view thereof;
FIG. 7 is a bottom view thereof;
FIG. 8 is a front bottom right environmental view thereof illustrating the cooler in cooperation with a cooler stand; and,
FIG. 9 is a front top left environmental view illustrating the cooler in cooperation with a cooler stand.
The portions of the cooler illustrated in broken lines form no part of the design claim for the cooler.

1 Claim, 9 Drawing Sheets



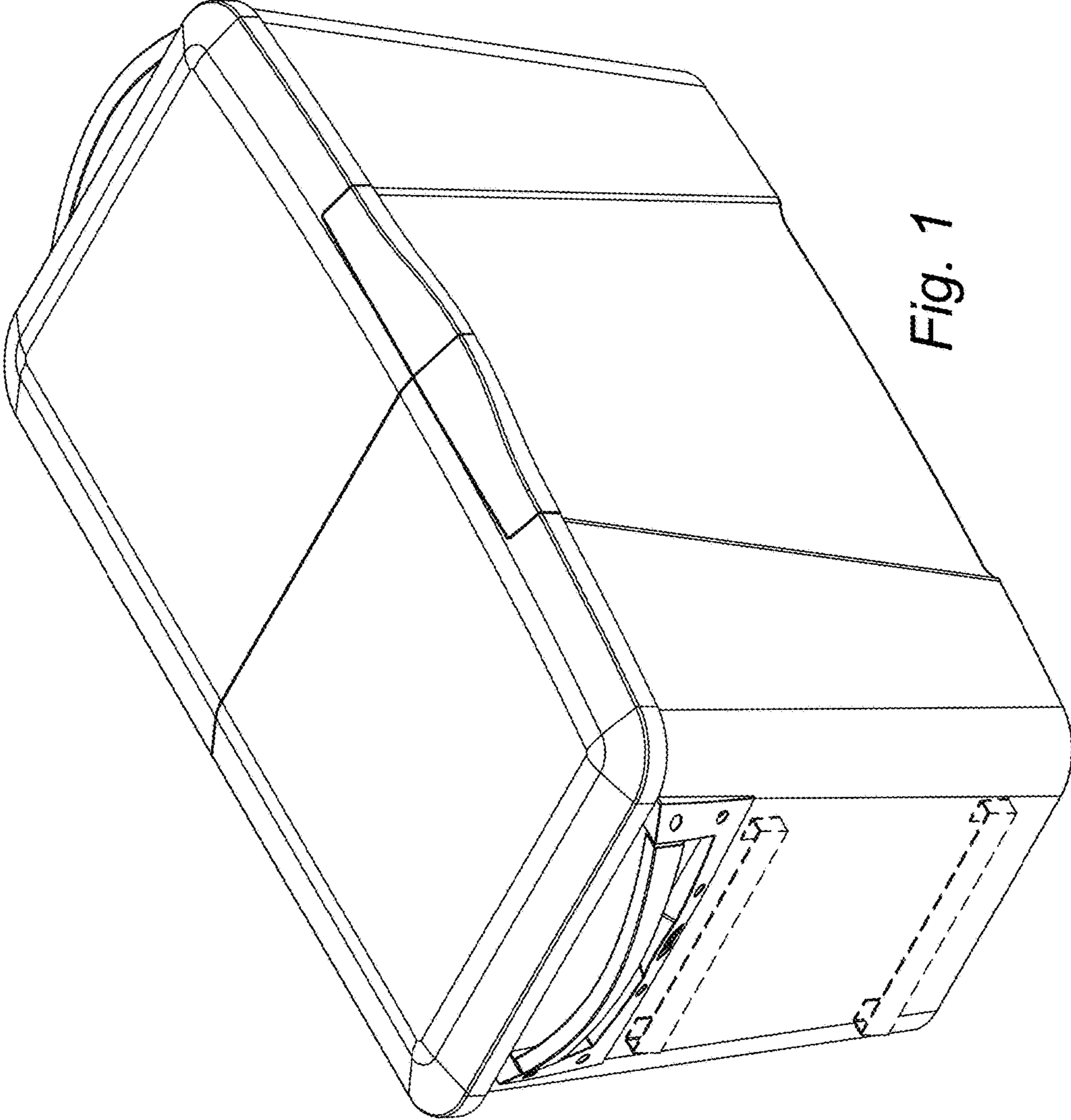


Fig. 1

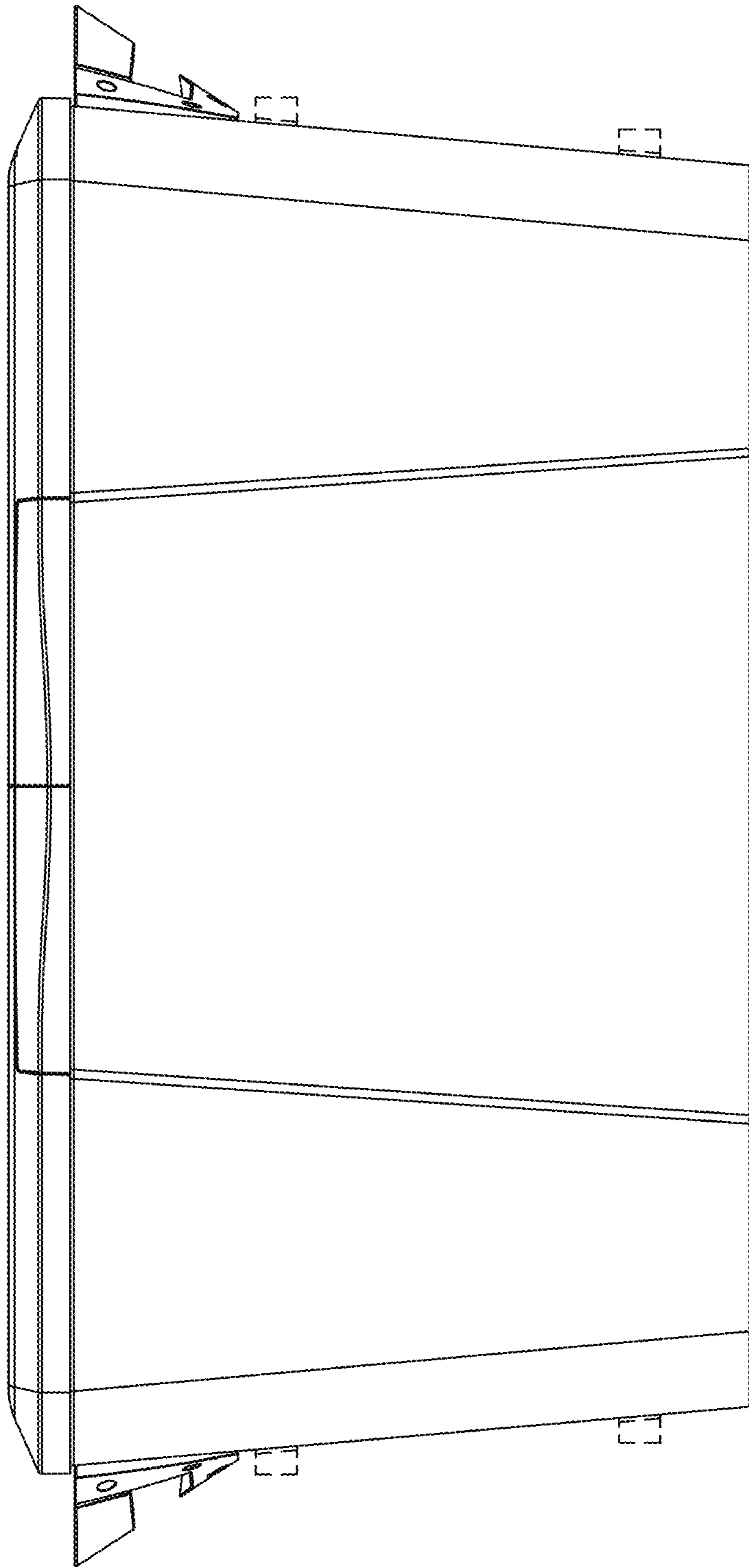


Fig. 2

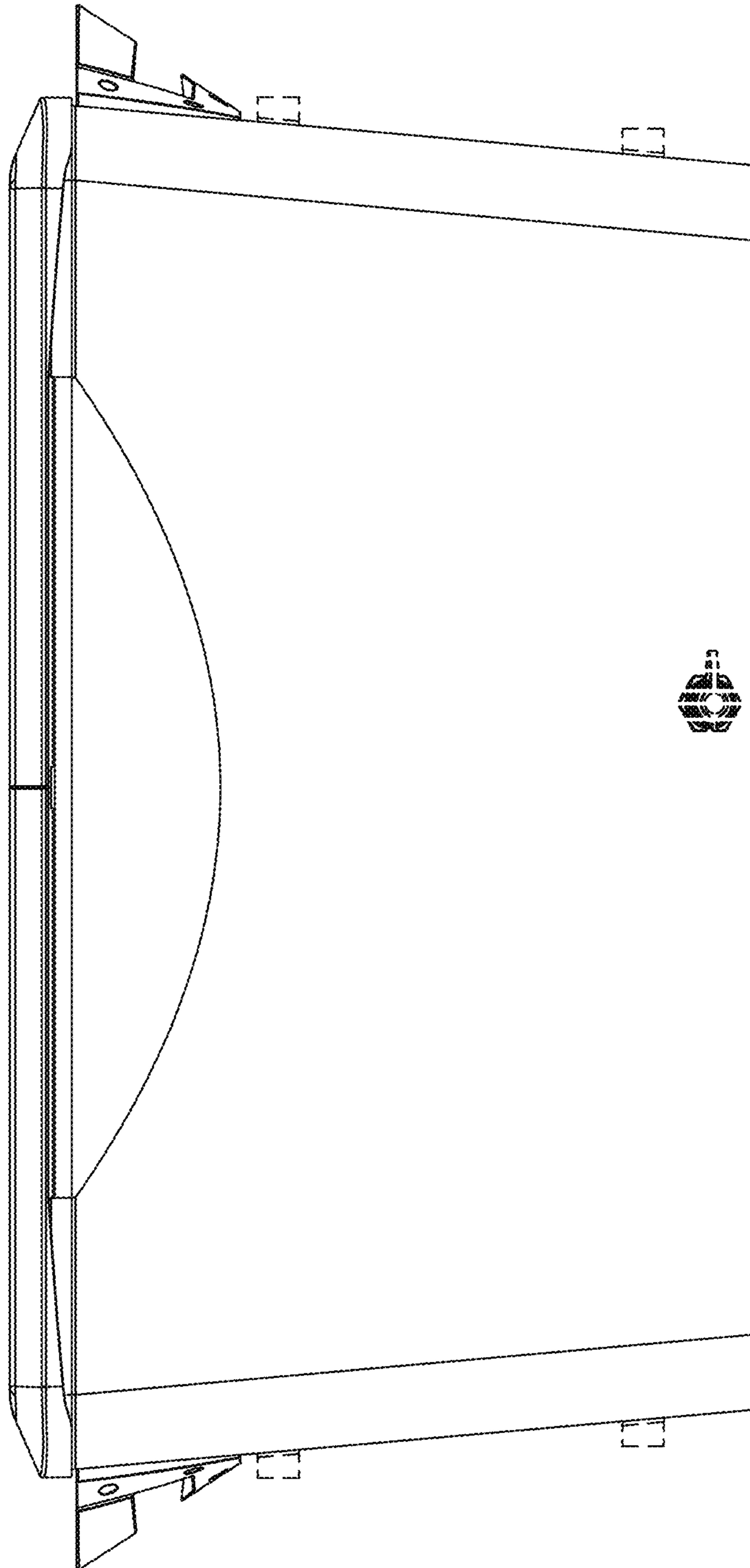


Fig. 3

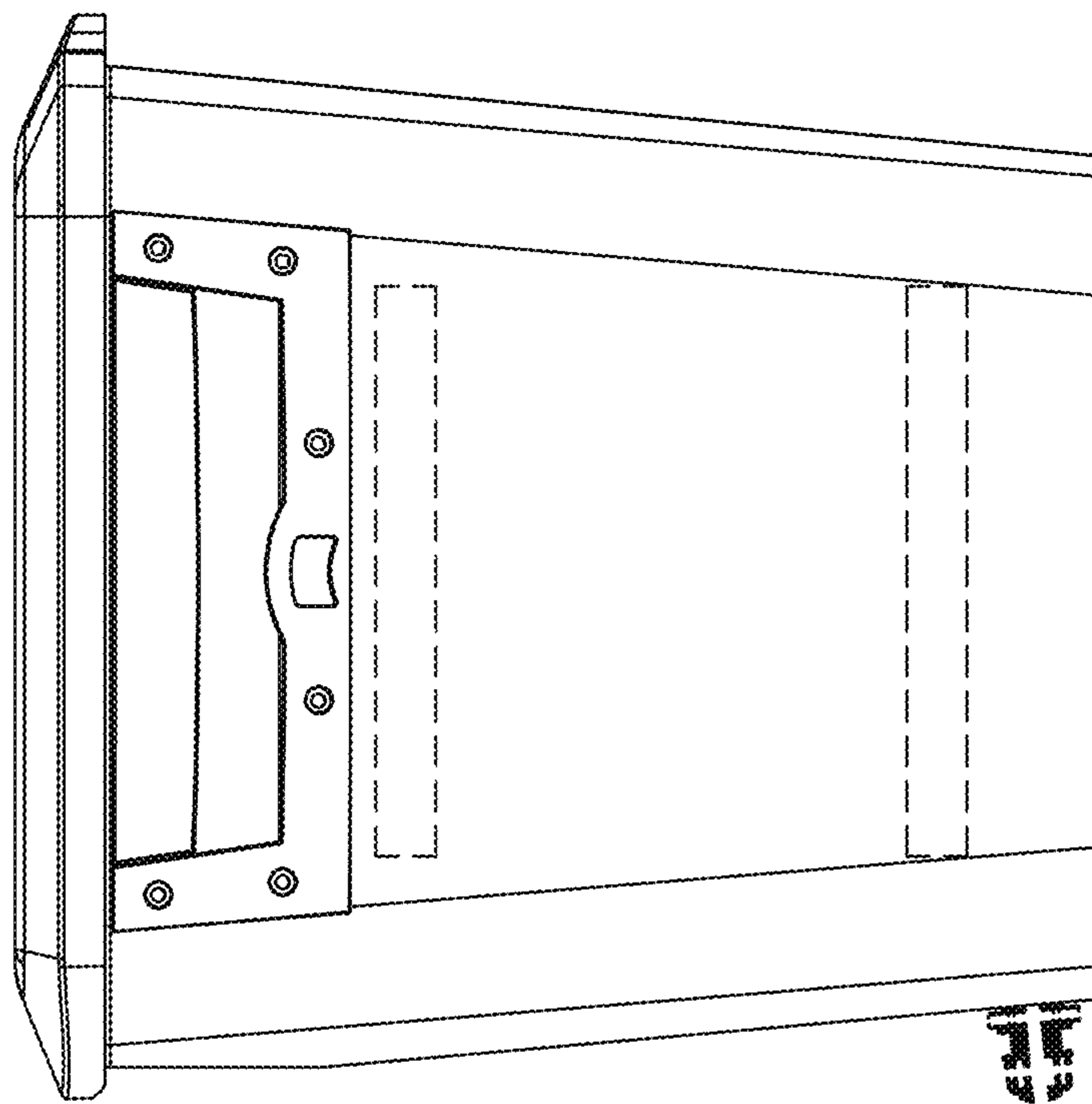


Fig. 4

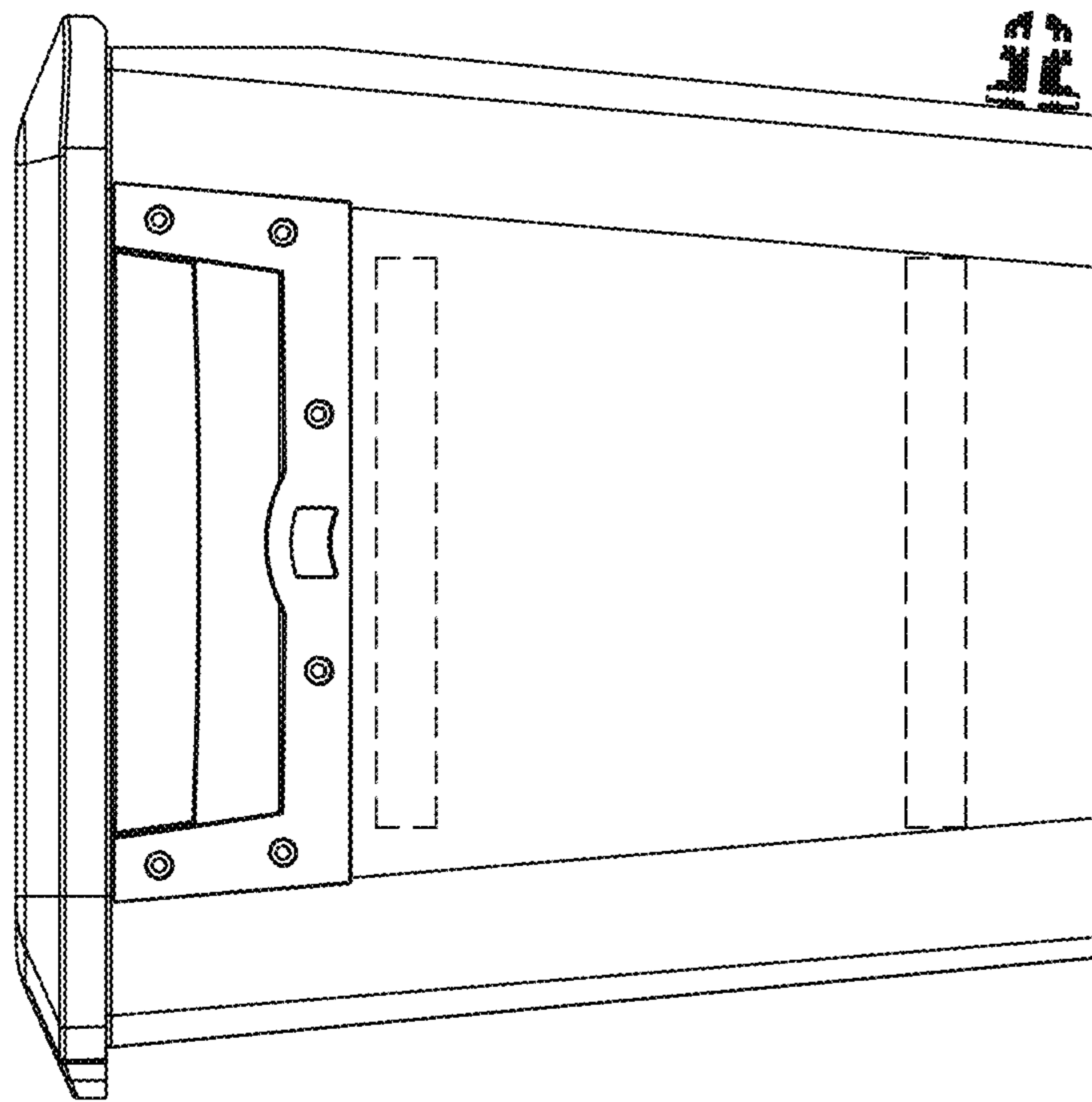


Fig. 5

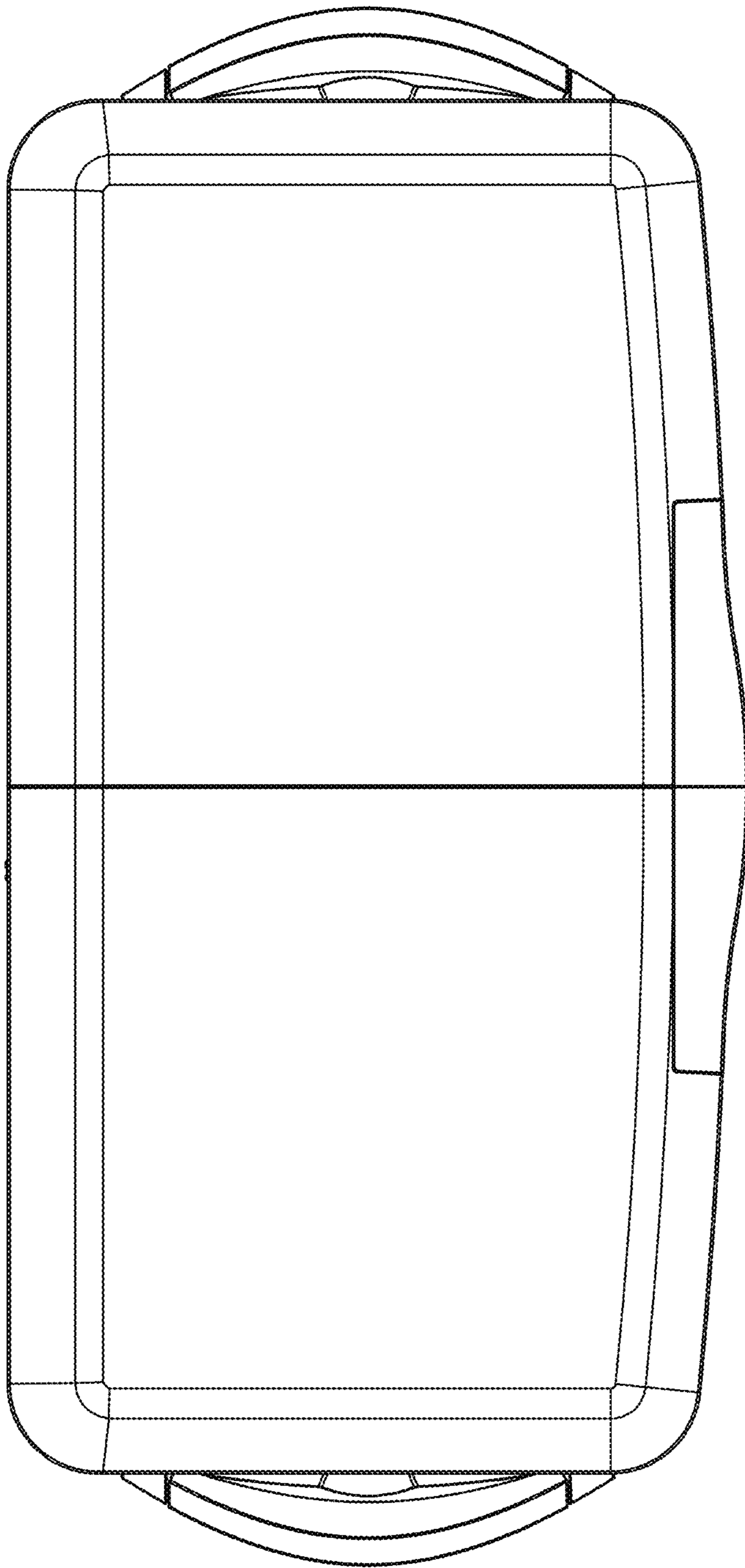


Fig. 6

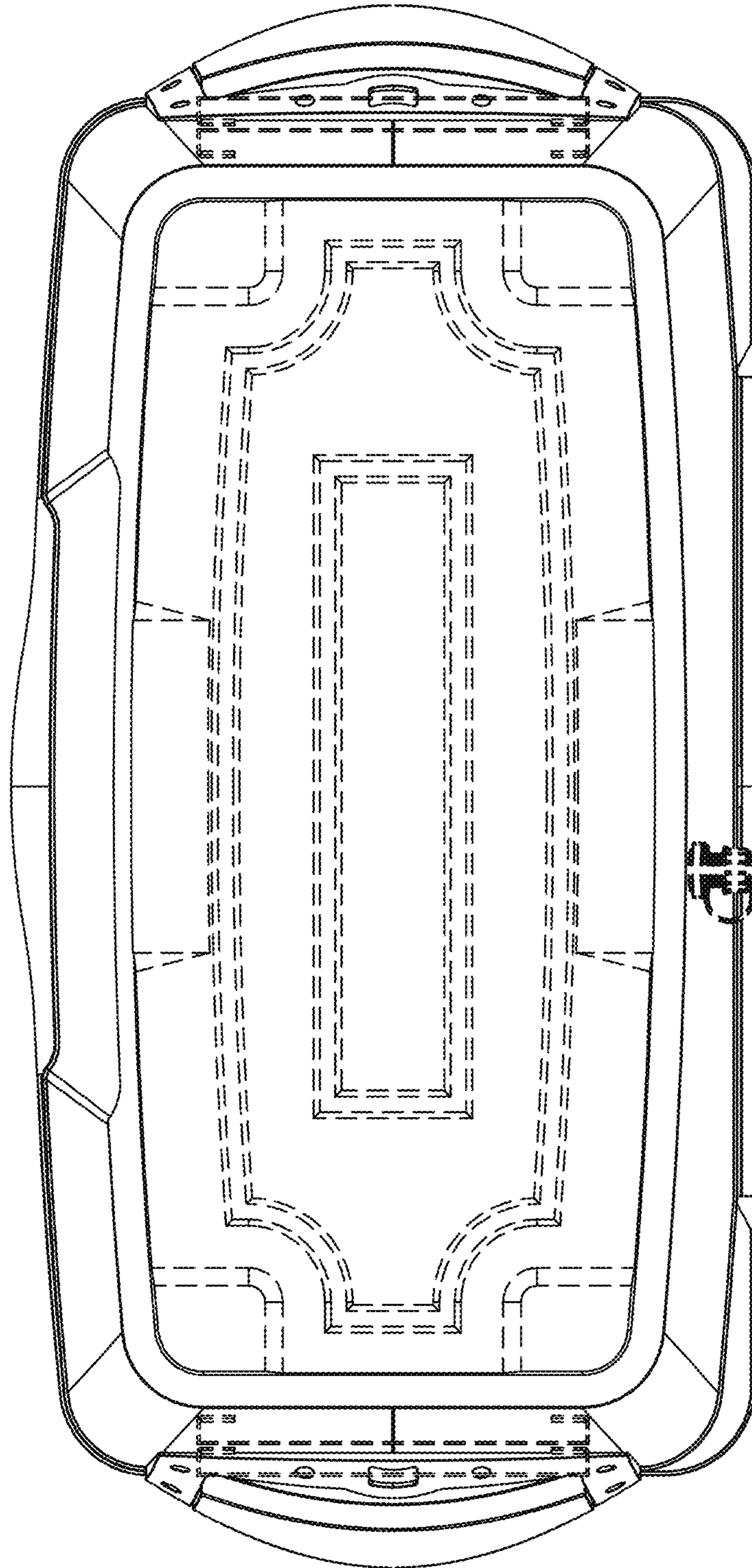


Fig. 7

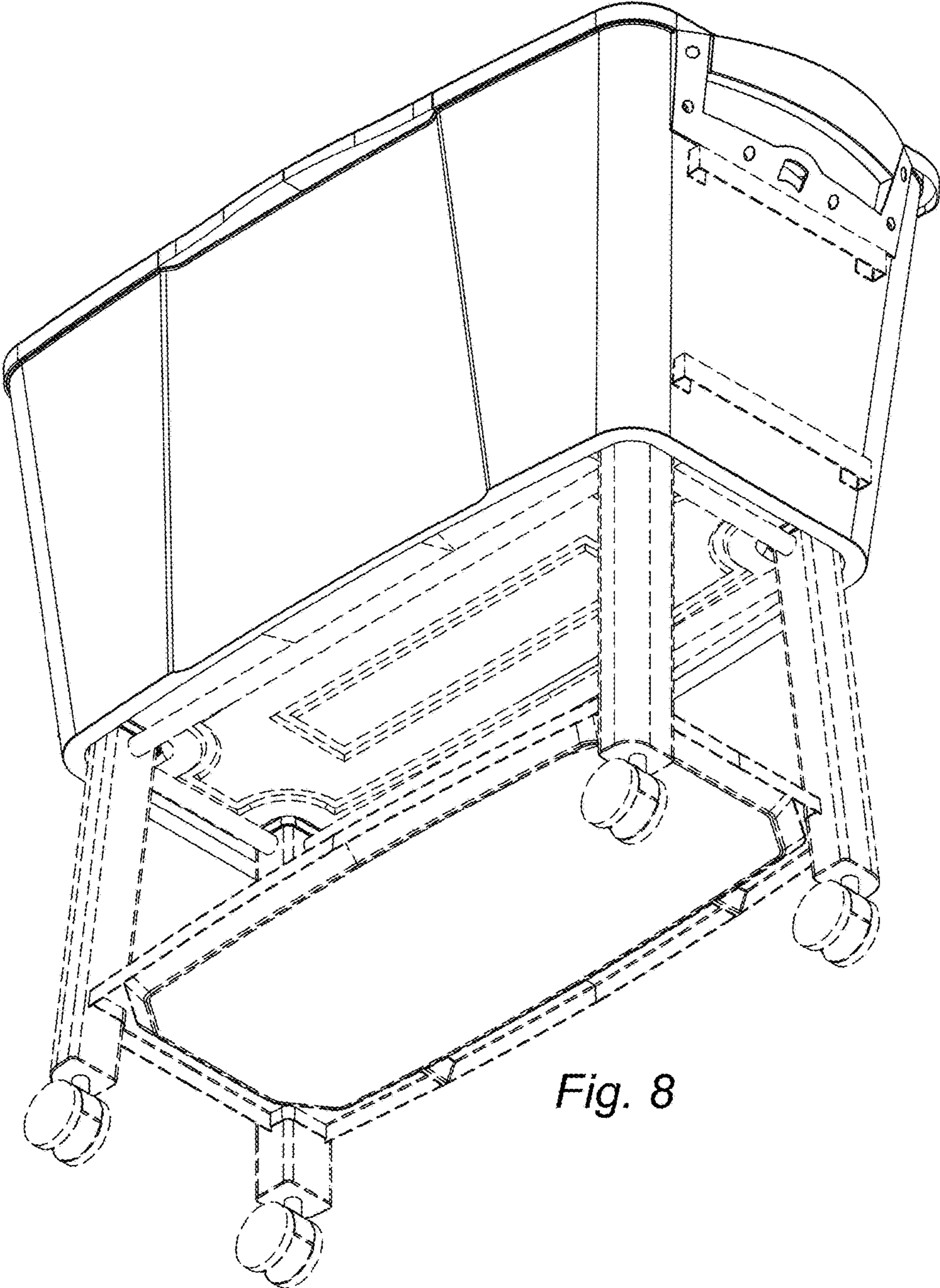


Fig. 8

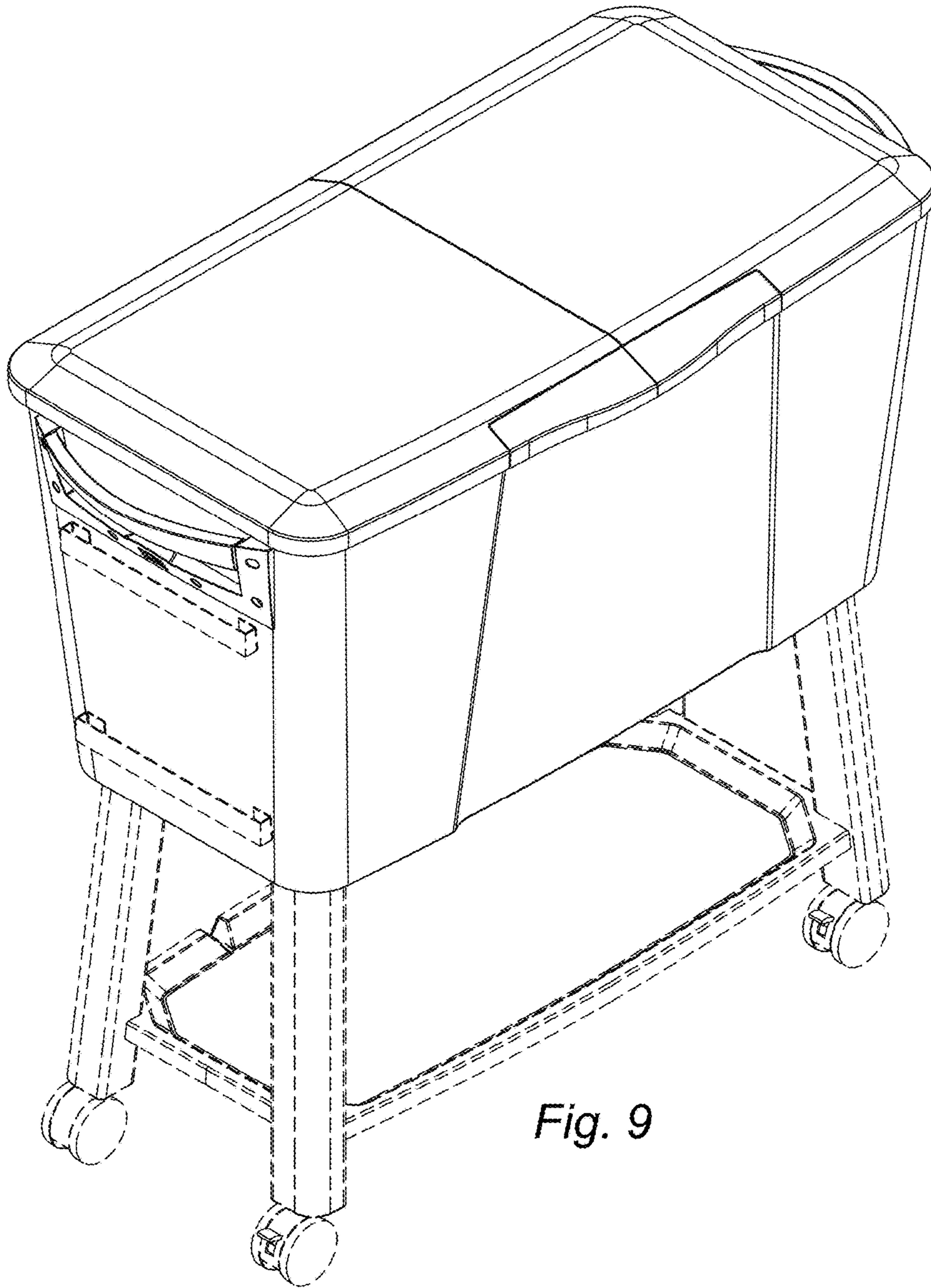


Fig. 9